

WIRING DIAGRAM

Section 3 (39) S40/V40 2003

TP 3965202

Groups

Group 23	= Fuel system
Group 26	= Cooling system
Group 27	= Engine controls
Group 32	= Generator and voltage regulator
Group 33	= Starting system
Group 35	= Lighting
Group 36	= Additional electrical equipment
Group 37	= Wiring and fuses
Group 38	= Instruments
Group 39	= Other
Group 43	= Transmission
Group 52	= Vacuum hydraulic brake system
Group 59	= Brake system
Group 83	= Doors and openings
Group 84	= Exterior decorative elements etc.
Group 85	= Interior equipment
Group 87	= Climate controls
Group 88	= Internal equipment

Countries/Markets

A	= Austria
AUS	= Australia
B	= Belgium
CDN	= Canada
CH	= Switzerland
D	= Germany
DK	= Denmark
E	= Spain
EU/OS	= Markets outside USA and Canada
FIN	= Finland
GB	= Great Britain
ISR	= Israel
J	= Japan
KOR	= Korea
N	= Norway
NL	= Netherlands
S	= Sweden
USA	= United States of America
WEU	= Western Europe

Other

ABS	= Anti-lock Brake System
A/C	= Air conditioning
AUTO	= Automatic transmission
D	= Driver
ECC	= Electronic climate control system
EMS 2000	= EMS 2000 Engine management system
FL	= Front left
FR	= Front right
HL	= High level of equipment
L	= Left
LHD	= Left-hand drive
LL	= Standard level of equipment
LPG	= Liquefied petroleum gas
MAN	= Manual transmission
MELCO	= Melco engine management system
P	= Passenger
PETROL	= Gasoline
R	= Right
REC	= Receiver
RHD	= Right-hand drive
RL	= Rear left
RR	= Rear right
SRS	= Airbag
TRANS	= Transmitter
TURBO	= Turbo engine
XENON	= Xenon lamps

Colors

BL	= Blue
BN	= Brown
GN	= Green
GR	= Gray
OR	= Orange
P	= Pink
R	= Red
SB	= Black
VO	= Violet
W	= White
Y	= Yellow

How to use the wiring diagrams

The descriptions below apply in general to all wiring diagram manuals, although not all sections are necessarily contained in this manual.

A. Component designation

Every component has a component designation that consists of two parts.

The first part is a type number that describes the type of component in question, for example 3/xx.

The second part of the designation is a serial number, for example, x/2.

Combined these give a component designation, for example, 3/2.

At the end of the manual is a list of components, where, with the help of the component designation, you can read off the name of the component, for example, 3/2 = light switch.

List of type numbers

The list shows which type of component that respective type numbers refer to, for example, 3/x = switch, 6/x = electric motor, etc.

1	Battery
2	Relay
3	Switch
4	Control module
5	Combined instrument panel
6	Electric motor
7	Sensor
8	Actuator
9	Heating element
10	Light
11	Fuse
15	Distribution rail
16	Audio
17	Service/diagnostics
18	Contact reel
19	Meter
20	Ignition component/shunt
31	Ground connection
43	Junction point
44	Connector

B. Junction points

The wiring diagrams contain numbered junction points, e.g. 43/352.

This manual contains a section with a list of junction points. This list shows all the components which are connected to each junction point.

The location of the junction points is shown in the "Cable harness routing in vehicle" section.

C. Connectors

Connectors provide a bridge between two cables harnesses and are described in the "Connectors" section.

D: Electrical distribution

Operation of the fuses and relays is shown in the "Electrical distribution" section.

E. Data communication

Today's cars are equipped with a CAN network, which transmits information. Connections to this network are shown in their entirety on the respective wiring diagrams. Complete information on CAN communication is can be found in the section titled "Data communication".

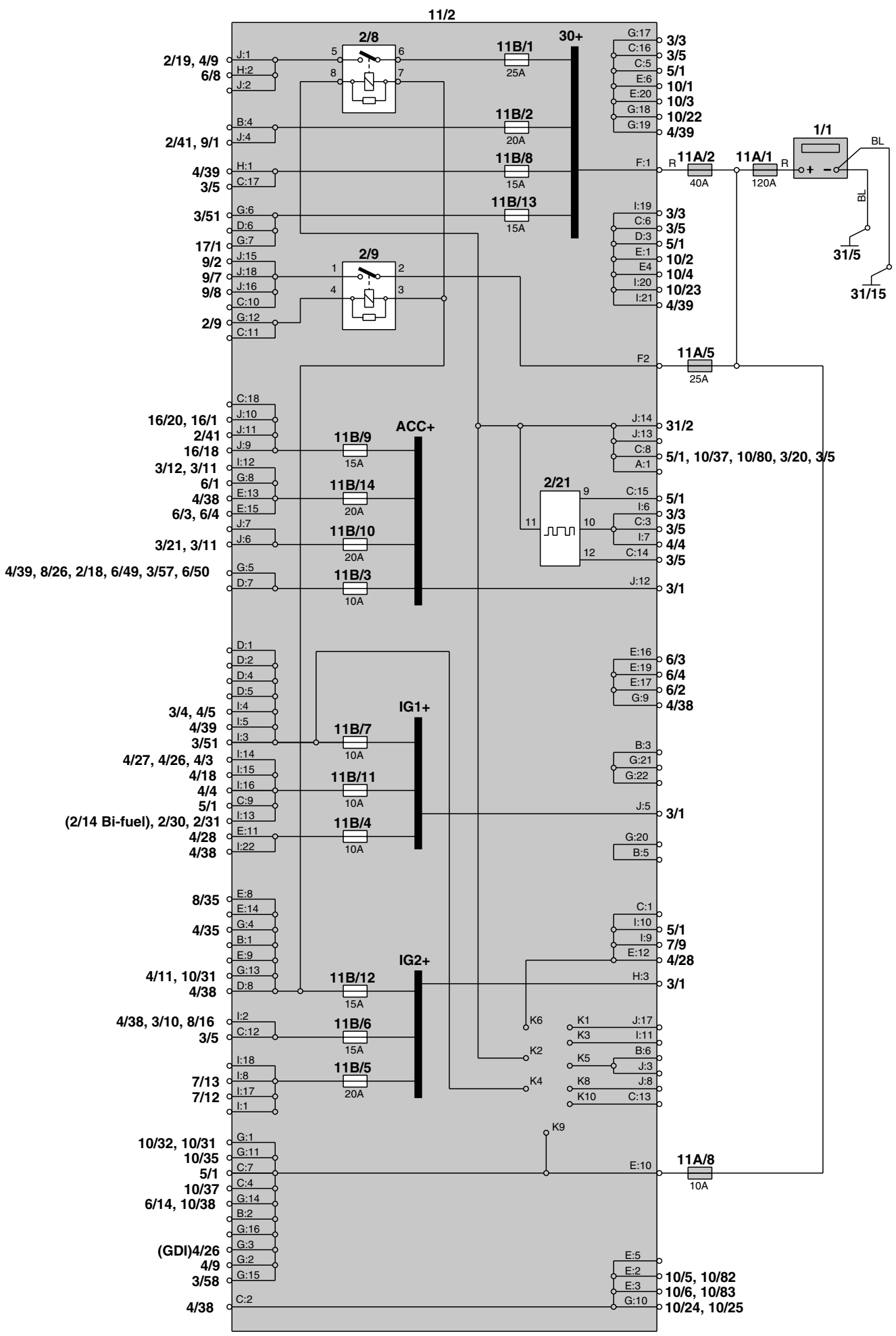
F. Abbreviations

A number of different abbreviations are used in the manual. These are explained in the section "Abbreviations".

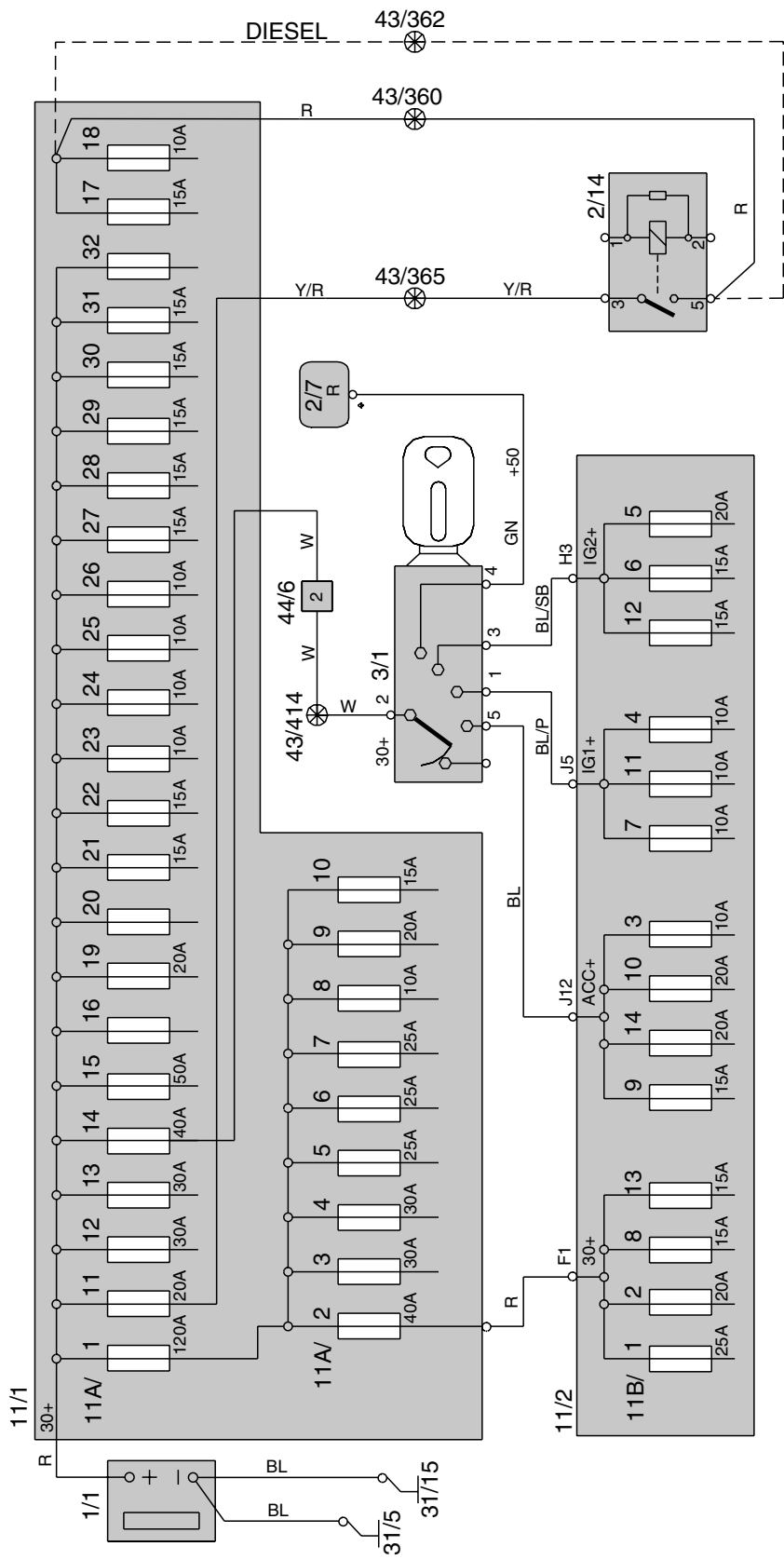
G. Component location

There is a section at the end of the manual in which the appearance and location of components is described in numerical order.

Electrical distribution Overview

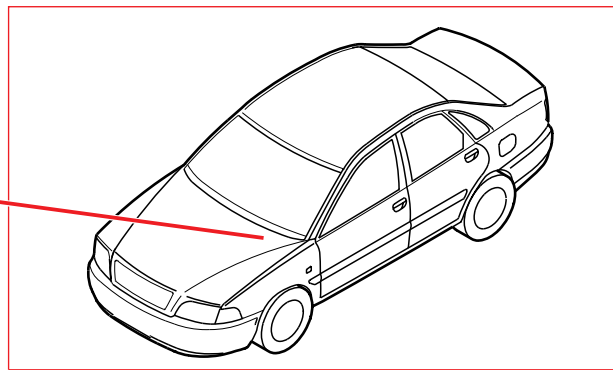
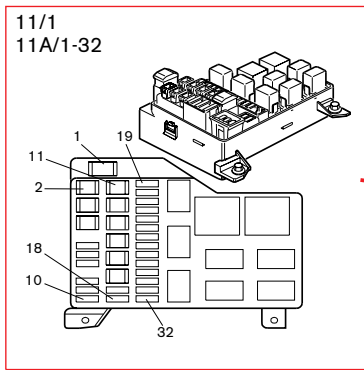


Electrical distribution Overview



Fuses

Engine compartment 11A/1-8

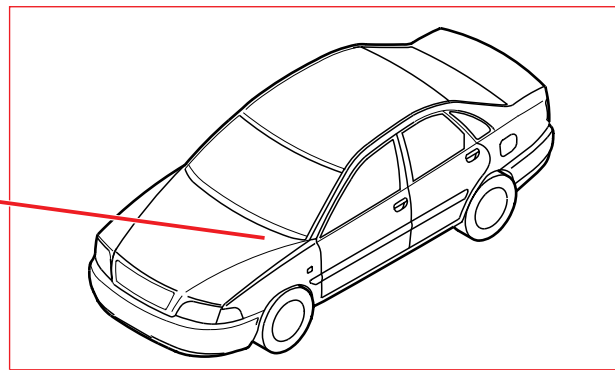
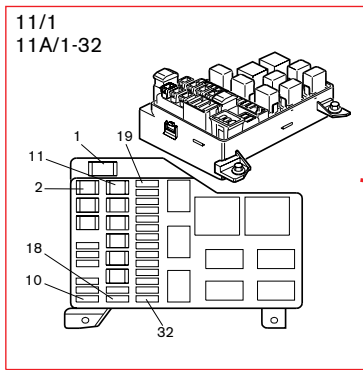


11A Fuses in the engine compartment

No.	Fuse function	via	A
1	11A/2-10 Fuses in the engine compartment 9/9 Glow plug 6/7 Generator	2/36	120
2	11B/1-2 Fuses in the passenger compartment 11B/8 Fuses in the passenger compartment 11B/13 Fuses in the passenger compartment		40
5	9/2 Heated rear window 9/7 Heated door mirror, driver's door 9/8 Heated door mirror, passenger door 3/33 Control module, power windows/door mirrors, driver's door	2/9 2/9 2/9 2/9	25
6	8/25 Power driver's seat		25
7	8/26 Power passenger seat		25
8	5/1 Combined instrument panel 4/26 Engine management system, Melco 2 8/35 Alarm siren 4/35 Control module, key-inserted warning/seat belt reminder 4/39 Control module for locks and alarm, VGLA 10/35 Courtesy lighting 10/37 Glove compartment lighting 10/31 Ceiling light for HL with reading lights 10/33 Reading lights, rear 10/36 Lighting, vanity mirror, passenger side 10/47 Lighting, vanity mirror, driver's side 4/9 Climate Control Module (CCM) 10/32 Ceiling light for LL 10/38 Cargo compartment lighting 6/14 Power antenna	3/58 3/58	10
	continues		

Fuses

Engine compartment 11A/9-11

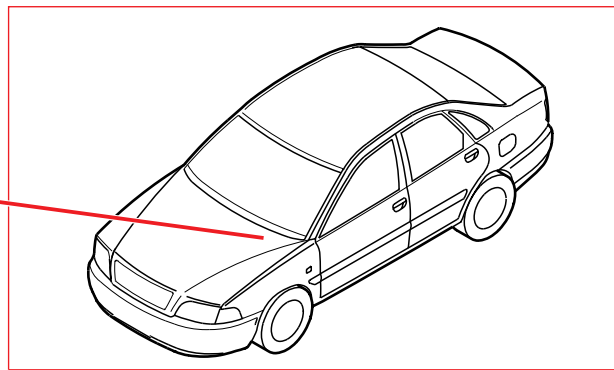
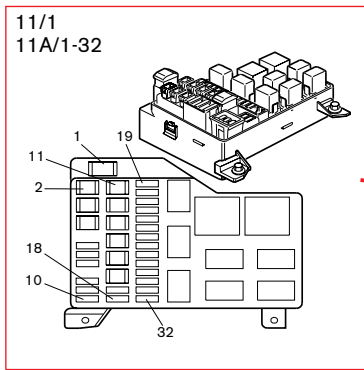


11A Fuses in the engine compartment

No.	Fuse function	via	A
9	4/40 Receiver, VGLA		20
	4/39 Control module for locks and alarm, VGLA		
	4/41 Control module, ultrasonic glass breakage sensor		
	6/34 Rear left child safety lock	4/39	
	6/35 Rear right child safety lock	4/39	
	6/36 Central locking with deadlock on driver's door	4/39	
	6/37 Central locking with deadlock on passenger door	4/39	
	6/38 Central locking with deadlocks, rear driver's side	4/39	
	6/39 Central locking with deadlocks, rear passenger side	4/39	
	6/28 Central locking, driver's door	4/39	
	6/29 Central locking, passenger door	4/39	
	6/30 Central locking, rear driver's side door	4/39	
	6/31 Central locking, rear passenger side	4/39	
	6/32 Central locking, trunk lid/tailgate	4/39	
6/55 Lock motor, fuel filler flap	4/39		
10	16/1 Radio		15
11	11A/17-18 Fuses in the engine compartment	2/14	20
	4/18 Control module, electronic immobilizer		
	4/26 Engine management system		
	2/14 Main relay engine management system, Melco 2, Diesel		
	7/50 Mass airflow sensor MAF		
	4/30 Ignition coils		
	8/6-9 Injectors		
	8/32 CVVT valve		
	4/33 Control module, fuel system Melco 2	2/30	
	7/64 IGF sensor, Melco 2	2/30	
	4/50 Control module, fuel throttle relay, Melco 2	2/32	
	6/56 Engine, fuel throttle body	4/50	
	2/11 Relay, electric cooling fan, speed 1, Diesel	2/14	
	2/28 Relay, electric cooling fan, speed 2, Diesel	2/14	
7/27 Camshaft position sensor	2/14		
7/56 Crankshaft position sensor			
8/38 Regulator, fuel line pressure, Diesel	2/14		
8/23 Turbocharger control valve, Diesel	2/14		
	continues		

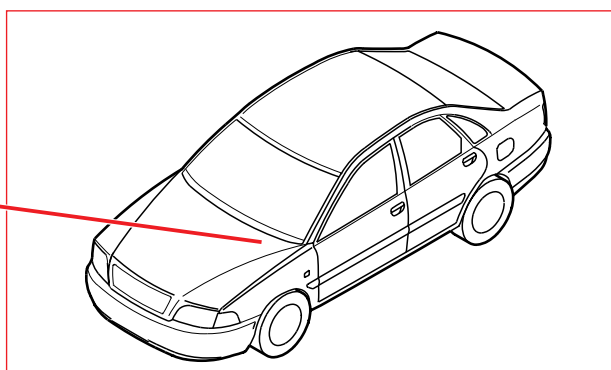
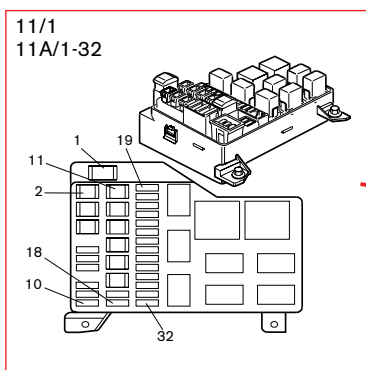
Fuses

Engine compartment 11A/12-17



11A Fuses in the engine compartment

No.	Fuse function	via	A	
12	3/34	Switch unit, passenger door power window	2/18	30
	6/18	Motor, power window, passenger door	2/18, 3/34	
	3/33	Control module, power windows/door mirrors, driver's door		
	6/17	Motor, power window, driver's door	3/33	
	6/19	Motor, rear left power window	3/33	
	6/20	Motor, rear right power window	3/33	
	6/21	Power door mirror, driver's side	3/33	
13	2/11	Relay, electric cooling fan, speed 1	2/11	30
	6/9	Motor, electric cooling fan		
	6/26	Motor, two-speed cooling fan	2/28	
	2/28	Relay, electric cooling fan, speed 2		
14	2/7	Starter motor relay	3/1	40
	6/6	Starter motor	2/7	
	3/1	Ignition switch		
	11B3-7	Fuses in the passenger compartment	3/1	
	11B9-12	Fuses in the passenger compartment	3/1	
	11B14	Fuses in the passenger compartment	3/1	
15	4/28	ABS control module		50
17	6/13	Fuel pump		15
	2/31	Fuel pump relay, Bifuel		
	9/10	Fuel preheater, Diesel		
	continues			



11A Fuses in the engine compartment

No.	Fuse function	via	A	
18	8/24	EVAP valve	10	
	7/47	Heated oxygen sensor, rear		
	7/60	Sensor, air pressure/temperature/flow, Melco 2		
	9/12	Crankcase breather, Turbo, Diesel		
	8/13	EGR valve, Diesel		
	7/15	Heated oxygen sensor, front		
	8/2	Idling valve		
	8/23	Turbocharger control valve		
	7/78	Leakage diagnostic pump (LDP), Turbo USA		
	7/85	Heated oxygen sensor LPG		
	2/34	Relay, vacuum pump, automatic transmission		7/67
	7/50	Mass airflow sensor MAF, Diesel		
	8/36	Engine stopping damper valve, Diesel		
7/67	Pressure monitor, vacuum pump, automatic transmission	2/10		
6/51	EGR stepper motor, Melco 2			
4/26	Engine management system, Diesel			
19	10/13	Front left fog light	4/38	20
	10/14	Front right fog light	4/38	
	10/73	Indicator light, front fog lights	4/38	
	10/74	Indicator light, rear fog lights	4/38	
	10/30	Rear fog light	4/38	
20	16/20:11	Audio amplifier		20
21	10/7	Left-hand low beam	4/38	15
	10/86	Left-hand headlight, Xenon	4/38	
22	10/8	Right-hand low beam	4/38	15
	10/87	Right-hand headlight, Xenon	4/38	
23	10/24	RL parking light	4/38	10
	10/25	RR parking light	4/38	
	10/5	FL parking light	4/68	
	10/6	FR parking light	4/68	
continues				