

**VOLVO**

for life

VOLVO  
**WIRING DIAGRAM** S40 (04-)/V50/C70 (06-)

TP 3999202

**2007**

## Vehicles with SRS (Airbag)/SIPS bag/ IC (Inflatable Curtain)

### Warning!

Extra caution must be exercised when working on vehicles equipped with SRS/SIPS bag/IC in order to avoid:

1. Personal injuries when performing repair work.
2. Damage or malfunction of the SRS/SIPS bag/IC system.

Work involving the SRS/SIPS bag/IC systems or other components in the vehicle that may affect the SRS/SIPS bag/IC systems must always be performed by an authorized Volvo workshop.

In case of doubt, consult the SRS and SIPS bag/IC service manual.

### Is the vehicle equipped with SRS/SIPS bag/IC?

Vehicles with SRS are most easily recognized by the letters SRS in the center of the steering wheel. If the vehicle also has a passenger side airbag, the letters SRS are stamped on the dashboard above the glove compartment. SRS vehicles from 1993 and onward also have explosive seat belt tensioners. SIPS bags are only installed on SRS vehicles from 1995 and onward. SIPS bag decals are located on the windshield and seat compartment. Vehicles with IC can be recognized by the letters IC on the C/D panel (4 door) or the B panel (5 door).

### General recommendations

- Be especially careful when working on or around SRS, SIPS, and IC components.
- Make sure that no wires are pinched, frayed, or pierced.
- Never install accessories by the sensors.
- Where applicable, work on the steering wheel, steering shaft, or steering gear must be done in accordance with the methods in the SRS section of VIDA.
- Certain components of the aforementioned systems must be grounded while working. Read the appropriate sections in VIDA.
- Install no accessories in the areas between the A and B posts, the B and C posts, and the C and D posts.

### Test terminal

Data link connector in the passenger compartment.

#### Changes introduced up to April 2006

Any changes made to the vehicles after this date are not included in the manual. If necessary refer to service bulletins.

Volvo models are sold in versions adapted for different markets. These adaptations depend on factors such as legal requirements, taxation, and market demands.

This manual may therefore include illustrations and text that do not apply to the vehicles in your country.

#### Order number TP 3999202

Replaces previous publication 3999201 at Electronic Wiring Diagram (EWD)

TP 39101001

Also available at Electronic Wiring Diagram (EWD) TP 39102001

We retain the right to make modifications.

# Table of Contents 1:3

Vehicles with SRS (Airbag)/SIPS bag/	
IC (Inflatable Curtain).....	2
Abbreviations.....	7
How to use the wiring diagrams 1:2.....	8
Electrical distribution 1:2.....	10

## Fuses

Engine compartment distribution box F1-F10.....	12
Engine compartment distribution box F11-F18.....	13
Engine compartment distribution box F20-F31.....	14
Engine compartment distribution box F32-F34.....	15
Engine compartment distribution box F35-FH1.....	16
Central Electronic Module (CEM) F43-F49.....	17
Central Electronic Module (CEM) F51-F63.....	18
Central Electronic Module (CEM) F64-F74.....	19
Central Electronic Module (CEM) F77-F86.....	20
Battery PF1-PF2.....	21

## Relays

Ignition switch and relays.....	22
Distribution box in engine compartment R2-R14.....	23
Central Electronic Module (CEM) R15-R18.....	24
Central Electronic Module (CEM) R1-R11B.....	25
Other relays.....	26

## Ground connections

Overview.....	27
31/3 - 31/10.....	28
31/11 - 31/52.....	29
31/66 - 31/67.....	30
31/80 - 31/107.....	31
31/110 - 31/116.....	32
31/117 - Ground connections in chassis.....	33

## Control modules

Overview of locations.....	34
Overview of designations.....	35
Central Electronic Module (CEM) 1:2.....	36
Data communication, Low speed CAN 1:2.....	38
Data communication, High speed CAN.....	40
Data communication, MOST S40/V50.....	41
Data communication, MOST C70.....	42
Data communication, LIN 1:2.....	43
Start Control Module (SCU).....	45
Accessory Electronic Module (AEM).....	46

## Group 23 Fuel system

Engine management system Diesel, 5-cyl. 2.4l 1:3.....	47
Engine management system, 4-cyl. 1.6l 1:2.....	50
Engine management system, 4-cyl. 1.8l & 2.0l 1:2.....	52

Engine management system, 5-cyl. 1:2.....	54
Engine management system, 5-cyl. Turbo 1:2.....	56
Engine management system Diesel, 4-cyl. 1.6l 1:2.....	58
Engine management system Diesel, 4-cyl. 2.0l 1:2.....	60
Emission control, 4-cyl. 1.6l.....	62
Emission control, 4-cyl. 1.8l & 2.0l.....	63
Emission control, 5-cyl.....	64
Emission control, 5-cyl. Turbo.....	65

## Group 26 Cooling system

Cooling fan.....	66
Cooling fan Diesel.....	67

## Group 27 Engine control

Cruise control, 4-cyl.....	68
Cruise control, 5-cyl.....	69

## Group 32 Alternator and voltage regulator

Power supply, 4-cyl.....	70
Power supply, 5-cyl.....	71

## Group 33 Starting system

Starting system, 4-cyl.....	72
Starting system, 5-cyl.....	73
Starting system, 5-cyl. Diesel.....	74

## Group 35 Lighting

Follow-me-home lighting.....	75
High and low beam.....	76
High and low beam (Bi-Xenon).....	77
Manual beam length adjustment.....	78
Automatic beam length adjustment (Bi-Xenon).....	79
Position/Parking lights, Tail lights S40/V50.....	80
Position/Parking lights, Tail lights (Bi-Xenon) S40/V50.....	81
Position/Parking lights, Tail lights C70.....	82
Position/Parking lights, Tail lights (Bi-Xenon) C70.....	83
Fog lights S40/V50.....	84
Fog lights C70.....	85
Fog lights LHD, Japan S40/V50.....	86
Fog lights LHD, Japan C70.....	87
Brake lights S40/V50.....	88
Brake lights C70.....	89
Reversing lights S40/V50.....	90
Reversing lights C70.....	91
Interior lighting S40/V50 1:2.....	92
Interior lighting C70 1:2.....	94
Instrument and control illumination.....	96
Auxiliary lights.....	97

# Table of Contents 2:3

## Group 36 Additional electrical equipment

Direction indicators and hazard warning flashers S40/V50 .....	98
Direction indicators and hazard warning flashers (Bi-Xenon) S40/V50 .....	99
Direction indicators and hazard warning flashers C70 .....	100
Direction indicators and hazard warning flashers (Bi-Xenon) C70 .....	101
Windshield wiper/washer .....	102
Headlight washer .....	103
Rear window wiper/washer V50 .....	104
Rain sensor .....	105
Horn .....	106
Immobilizer/Steering column lock module (SCL) .....	107
Keyless vehicle S40/V50 1:2 .....	108
Keyless vehicle C70 1:2 .....	110
Rear parking assistance .....	112
Front parking assistance .....	113
Anti-theft alarm S40/V50 .....	114
Anti-theft alarm C70 .....	115
Accessory Electronic Module (AEM) .....	116

## Group 37 Wiring and fuses

12V outlet S40/V50 .....	117
12V outlet C70 .....	118
Diagnostics system .....	119
Tow hitch cable harness, 4-pin .....	120
Tow hitch cable harness, 7-pin .....	121
Tow hitch cable harness, 13-pin .....	122

## Group 38 Instruments

Driver information module .....	123
Seat belt reminder S40/V50 .....	124
Seat belt reminder C70 .....	125

## Group 39 Other

Audio S40/V50 1:2 .....	126
Audio C70 1:2 .....	128
Audio High Performance/Premium Sound S40/V50 1:2 .....	130
Audio High Performance/Premium Sound C70 1:2 ...	132
Cellular phone 1:2 .....	134
Satellite radio .....	136

Multimedia & Traffic information .....	137
Turn by Turn navigation, Audio .....	138
Turn by Turn navigation, Audio High Performance/ Premium Sound .....	139
Handsfree Universal, Audio .....	140
Handsfree Universal, Audio High Performance/ Premium Sound .....	141
Handsfree Max with Adapter .....	142
Handsfree Max .....	143
Subwoofer .....	144

## Group 43 Transmission

Automatic transmission AW55-51 .....	145
Transmission M66 .....	146
Differential Electronic Module (DEM) .....	147

## Group 59 Brake system

Brake control system & STC .....	148
Brake control system & DSTC .....	149

## Group 64 Steering

Electronic power steering .....	150
---------------------------------	-----

## Group 83 Doors and openings

Central locking, front doors S40/V50 .....	151
Central locking, rear doors S40/V50 .....	152
Central locking system C70 .....	153
Central locking, tailgate S40/V50 .....	154
Central locking, tailgate C70 .....	155
Central locking, storage compartment C70 .....	156
Child safety lock S40/V50 .....	157
Central locking, fuel filler flap .....	158
Signal receiver, remote-control, central locking .....	159
Power windows, front doors S40/V50 .....	160
Power windows, front doors C70 .....	161
Power windows, rear doors S40/V50 .....	162
Power sunroof S40/V50 .....	163
Power roof C70 .....	164

## Group 84 Exterior decorative elements, etc.

Power door mirrors S40/V50 .....	165
Power door mirrors C70 .....	166
Heated door mirrors .....	167
Heated rear window .....	168
Blind Spot Information System .....	169

# Table of Contents 3:3

## Group 85 Interior equipment

Power driver's seat with memory function LHD S40/V50 .....	170
Power driver's seat with memory function RHD S40/V50 .....	171
Power driver's seat with memory function LHD C70 .....	172
Power driver's seat with memory function RHD C70 .....	173
Power passenger seat with memory function LHD C70 .....	174
Power passenger seat with memory function RHD C70 .....	175
Power driver's seat LHD .....	176
Power driver's seat RHD .....	177
Power passenger seat LHD .....	178
Power passenger seat RHD .....	179
Heated seats.....	180

## Group 87 Climate control system

Climate control system PTC element .....	181
Climate control system, 4-cyl. Gasoline 1:2.....	182
Climate control system, 5-cyl. 1:2.....	184
Climate control system, Diesel 1.6l & 2.0l 1:2 .....	186
Parking heater, auxiliary heater .....	188
Relay, electric engine heater .....	189
Electric engine heater Flexifuel.....	190

## Group 88 Internal equipment

Auto-dimming rearview mirror.....	191
Supplemental Restraint System Module (SRS) S40/V50 1:2 .....	192
Supplemental Restraint System Module (SRS) C70 1:2 .....	193

<b>Connectors .....</b>	<b>195</b>
-------------------------	------------

<b>Branching points .....</b>	<b>229</b>
-------------------------------	------------

## Cable harness routing in vehicle

Engine harness Gasoline, 4-cyl. 1.6l .....	240
Engine harness Gasoline, 4-cyl. 1.8l .....	240
Engine harness Gasoline, 5-cyl. ....	241
Engine harness Gasoline, 5-cyl., Turbo.....	241
Engine harness Diesel 1.6l .....	242
Engine harness Diesel 2.0l .....	242
Engine harness Diesel 2.4l .....	243
Engine compartment harness, 4-cyl. ....	244
Engine compartment harness, 5-cyl. ....	244
Dashboard harness LHD .....	245
Dashboard harness RHD .....	245
Floor harness S40 LHD .....	246
Floor harness S40 RHD .....	247
Floor harness V50 LHD .....	248
Floor harness V50 RHD .....	249
Floor harness C70 LHD .....	250
Floor harness C70 RHD.....	251
Roof harness S40 .....	252
Roof harness V50 .....	252
Tunnel harness S40/V50 .....	253
Tunnel harness C70 .....	253
Driver's door harness S40/V50 .....	254
Passenger door harness S40/V50 .....	254
Driver's door harness C70 .....	255
Driver's door harness supplement C70.....	255
Passenger door harness C70 .....	256
Passenger door harness supplement C70.....	256
Rear right door harness S40/V50 .....	257
Rear left door harness S40/V50.....	257
Harness, rear side panel, left C70 .....	258
Harness, rear side panel, right C70 .....	258
Tailgate harness C70 .....	260
Tailgate harness S40 .....	259
Tailgate harness V50 .....	259

<b>Component illustrations .....</b>	<b>261</b>
--------------------------------------	------------

<b>Index 1:2 .....</b>	<b>316</b>
------------------------	------------

<b>List of components 1:6 .....</b>	<b>318</b>
-------------------------------------	------------



# Explanations

## Abbreviations

### Groups

Group 23	= Fuel system
Group 26	= Cooling system
Group 27	= Engine controls
Group 32	= Alternator and voltage regulator
Group 33	= Starting system
Group 35	= Lighting
Group 36	= Additional electrical equipment
Group 37	= Wiring and fuses
Group 38	= Instruments
Group 39	= Other
Group 43	= Transmission
Group 59	= Brake system
Group 64	= Steering
Group 83	= Doors and openings
Group 84	= Exterior decorative elements, etc.
Group 85	= Interior equipment
Group 87	= Climate control system
Group 88	= Internal equipment

### Ignition switch symbols

X	= Accessories (audio position)
S	= Powered upon insertion of key
15	= Contact remains connected during start
15I	= Contact is broken while starting
30	= Constant power from the battery
50	= Start

### Countries/Markets

A	= Austria
AUS	= Australia
B	= Belgium
CDN	= Canada
CH	= Switzerland
D	= Germany
DK	= Denmark
E	= Spain
EU/OS	= Markets outside USA and Canada
FIN	= Finland
GB	= Great Britain
ISR	= Israel
J	= Japan
KOR	= Korea
N	= Norway
NL	= Netherlands
S	= Sweden
USA	= United States of America
WEU	= Western Europe

### Other

AUTO	= Automatic transmission
AWD	= All wheel drive
CAN	= CAN communication
D	= Diesel
DPY	= Display
ECC	= Electronic climate control system
ETA	= Engine throttle body
EXT. X	= Extended X-feed
GDL	= Gas discharge lamp
HISPEED	= High speed data bus
IR	= Infrared sensor
LIN	= LIN communication
LHD	= Left-hand drive
LOSPEED	= Low speed data bus
MAN	= Manual transmission
MEMORY	= Memory driver's seat
MMS	= Mass Movement Sensor
GASOLINE	= Gasoline
RHD	= Right-hand drive
SCR	= Screened
SRS	= Airbag
T	= Turbocharged engine
W/O	= Without
2WD	= Two-wheel drive
4CYL, I4	= 4-cylinder engine
5CYL, I5	= 5-cylinder engine

### Colors

BK, SB	= Black
BN	= Brown
BU, BL	= Blue
GN	= Green
GY, GR	= Gray
LGN	= Light Green
OG, OR	= Orange
PK, P	= Pink
RD, R	= Red
VT, VO	= Violet
WH, W	= White
YE, Y	= Yellow

# How to use the wiring diagrams 1:2

The descriptions below apply in general to all wiring diagram manuals, although not all sections are necessarily contained in this manual.

## A. Component designation

Every component has a component designation that consists of two parts.

The first part is a type number that describes the type of component in question, for example 3/xx.

The second part of the designation is a serial number, e.g. x/2.

Together, this constitutes a component designation, e.g. 3/2.

At the end of the manual is a list of components, where, with the help of the component designation, you can read off the name of the component, for example, 3/2 = light switch.

## List of type numbers

The list shows which type of component that respective type numbers refer to, for example, 3/x = switch, 6/x = electric motor, etc.

1	Battery
2	Relay
3	Switch
4	Control module
5	Driver information module
6	Electric motor
7	Sensor
8	Actuator
9	Heating element
10	Light
11	Fuse
15	Electrical distribution rail/box
16	Audio
17	Service/diagnostics
18	Contact reel
19	Meter
20	Ignition component/shunt
27	Optics
31	Ground connection
63	Branching point
64	Connector

## B. Branching points

The wiring diagrams contain numbered junction points, e.g. 63/352.

This manual contains a section with a list of branching points. This list shows all the components that are connected to each branching point.

The location of the branching points is shown in the "Cable harness routing in vehicle" section.

## C. Connectors

Connectors provide a bridge between two cable harnesses and are described in the "Connectors" section.

## D. Electrical distribution

Operation of the fuses and relays is shown in the "Electrical distribution" section.

## E. Data communication

Today's cars contain CAN and MOST networks that transfer information. Connections to these networks are not shown in their entirety in the respective wiring diagram. Complete information on CAN and MOST communication is found in the section "Control modules".

## F. Abbreviations

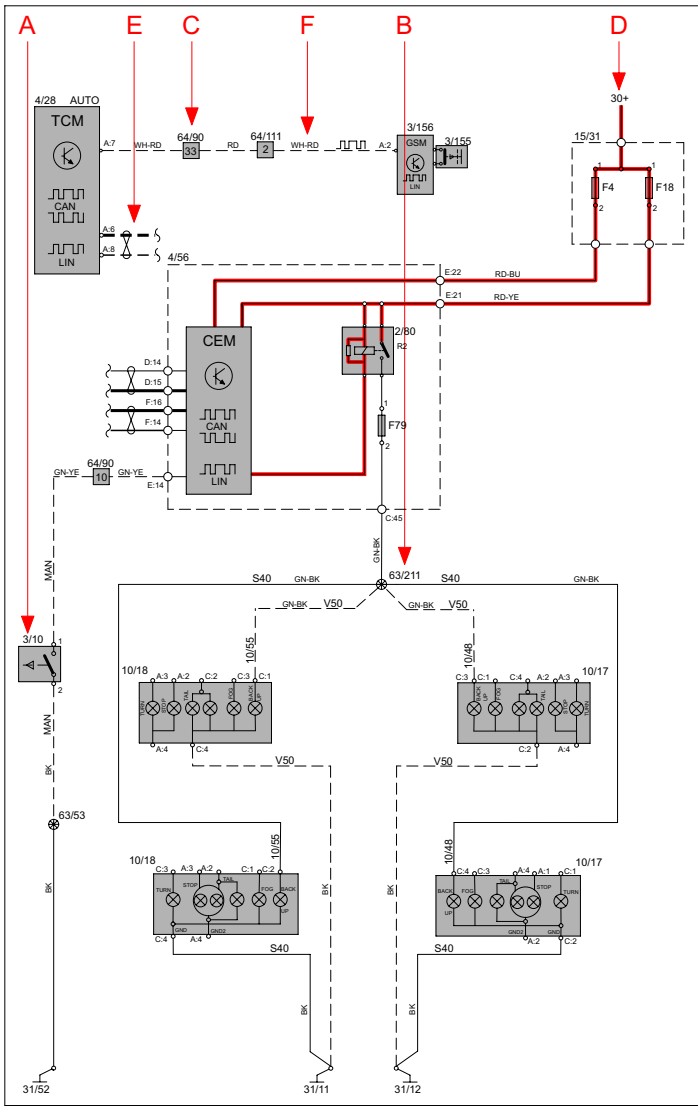
A number of different abbreviations are used in the manual. These are explained in the section "Abbreviations".

## G. Component location

There is a section at the end of the manual in which the appearance and location of components is described in numerical order.

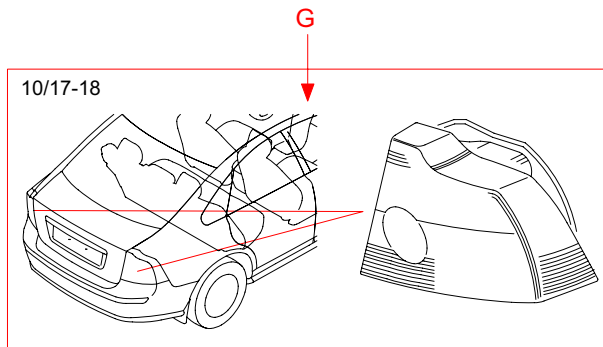


# How to use the wiring diagrams 2:2



## Explanation of symbols

- = System voltage
- = Ground connection via wiring
- = Ground connection in component/chassis
- = Screened wire
- = Junction point
- = Twisted cable
- = Electrical connection
- = Variant
- = CAN communication
- = CAN high data signal (CAN H)
- = CAN low data signal (CAN L)
- = LIN communication
- = LIN communication
- = DIN cable, coaxial cable, etc.
- = Data communication
- = CAN communication
- = MOST communication
- = MOST communication
- = Connection with distribution box
- = Further connection to...
- = Connector between cable harnesses
- = Connector connected in component

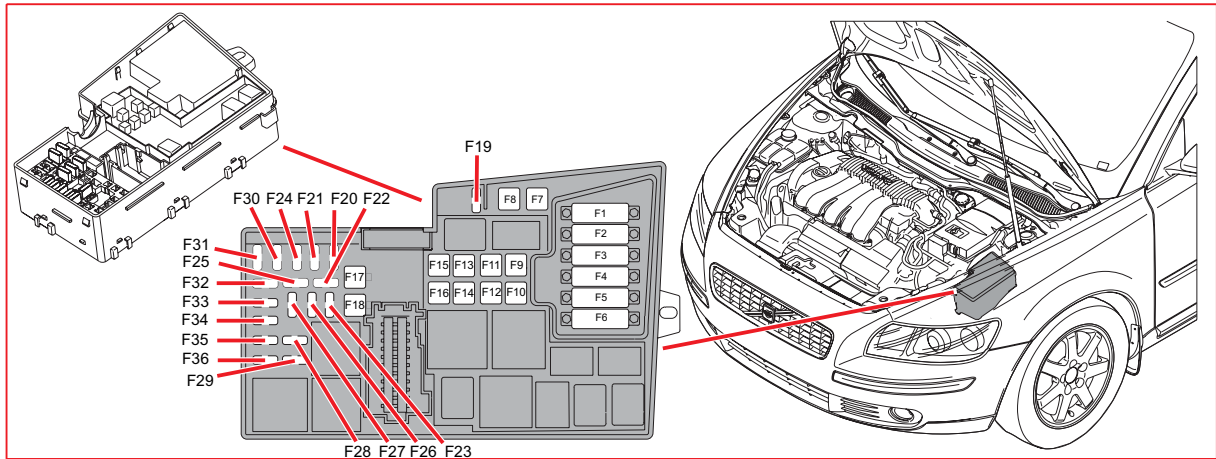






# Fuses

## Engine compartment distribution box F1-F10

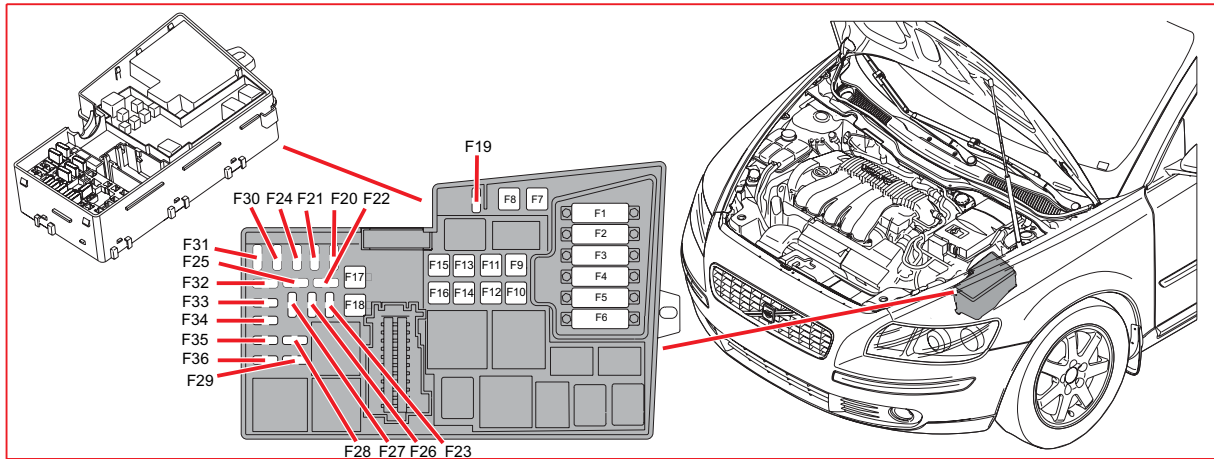


## 15/31 Engine compartment distribution box

No.	Fuse function	via	A
F1	4/71 Cooling fan control module	-	50
F2	6/71 Electrical Power Steering Module (EPS)	-	80
F3	2/193 Relay, comfort functions	-	60
	F45 Fuse in the Central Electronic Module (CEM)	2/193	
	F48-F49 Fuses in the Central Electronic Module (CEM)	2/193	
	F60-F61 Fuses in the Central Electronic Module (CEM)	2/193	
	F62-F63 Fuses in the Central Electronic Module (CEM)	-	
	F68-F69 Fuses in the Central Electronic Module (CEM)	2/193	
	F84-F85 Fuses in the Central Electronic Module (CEM)	-	
F4	2/63 Relay, high beam	-	60
	4/56 Central Electronic Module (CEM)	-	
	F55 Fuses in the Central Electronic Module (CEM)	-	
	F58-F59 Fuses in the Central Electronic Module (CEM)	2/63	
	F74 Fuses in the Central Electronic Module (CEM)	-	
	F77 Fuses in the Central Electronic Module (CEM)	-	
F5	9/41 PTC-element	-	80
F6	4/109 Glow plug control module, 4-cyl. Diesel	-	60
	4/109 Glow plug control module, 5-cyl. Diesel	-	70
F7	4/16 Brake Control Module (BCM), pump	-	30
F8	4/16 Brake Control Module (BCM), valves	-	20
F9	2/32 Main relay, engine management system	-	30
	F32-F36 Fuses in the engine compartment distribution box	2/32	
F10	4/31 Fan control module	-	40
continues			

# Fuses

## Engine compartment distribution box F11-F18

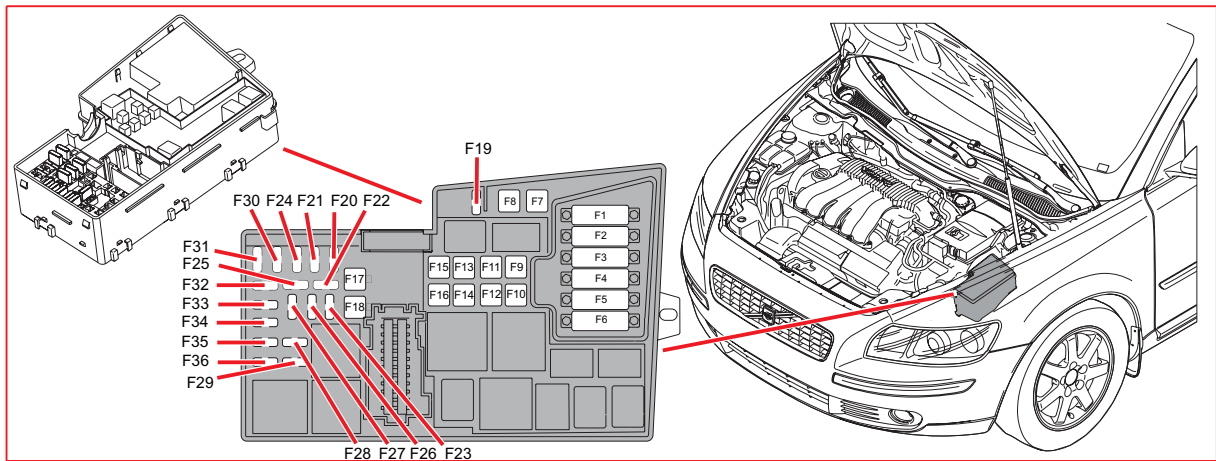


## 15/31 Engine compartment distribution box

No.	Fuse function	via	A
F11	2/182 Relay, headlight washer motor 6/104 Pump, high pressure headlight washer	- 2/182	20
F12	2/82 Relay, heated rear window 9/2 Heated rear window	- 2/82, 16/141	30
F13	6/25 Starter motor	2/35	30
F14	4/110 Trailer Module (TRM)	-	40
F15	4/59 Convertible Roof Module (CRM)		30
F16	2/159 Infotainment relay, S40/V50 16/105 Audio module (AUD), S40/V50 F22 Engine compartment distribution box, S40/V50 F43 Fuse in the Central Electronic Module (CEM), S40/V50 F64 Fuse in the Central Electronic Module (CEM), S40/V50 F65-F67 Fuses in the Central Electronic Module (CEM), S40/V50	- - - - - 2/159	30
F16	2/159 Infotainment relay, C70 16/105 Audio module (AUD), C70 F22 Engine compartment distribution box, C70 F43 Fuse in the Central Electronic Module (CEM), C70 F64 Fuse in the Central Electronic Module (CEM), C70 F65-F67 Fuses in the Central Electronic Module (CEM), C70	- - - - - 2/159	40
F17	6/1 Wiper Motor Module (WMM)	-	30
F18	2/80 Relay, reversing light 2/89 Relay, interior lighting 4/56 Central Electronic Module (CEM) F46-F47 Fuses in the Central Electronic Module (CEM) F56-F57 Fuses in the Central Electronic Module (CEM) F79 Fuse in the Central Electronic Module (CEM) F81-F83 Fuses in the Central Electronic Module (CEM) F86 Fuse in the Central Electronic Module (CEM)	- - - 2/89 - 2/80 - 2/89	40
continues			

# Fuses

## Engine compartment distribution box F20-F31

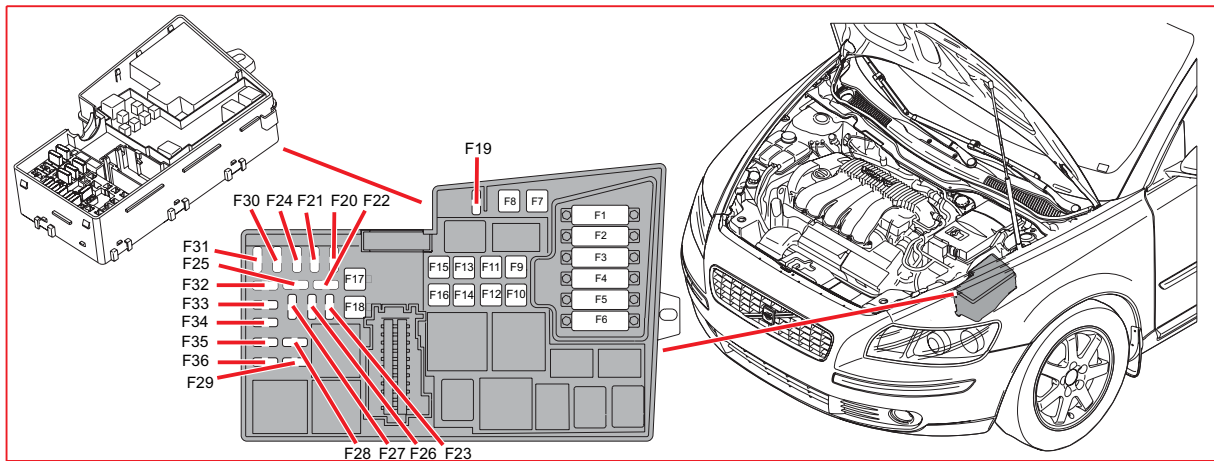


## 15/31 Engine compartment distribution box

No.	Fuse function	via	A
F20	2/17 Relay, horn 16/10 Horn 1 16/11 Horn 2	- 2/17 2/17	15
F21	4/7 Combustion Preheater Module (CPM)	-	20
F22	16/79 Subwoofer Module (SUB)	-	25
F23	4/28 Transmission Control Module (TCM) 4/46 Engine Control Module (ECM), 5-cyl.	- -	10
F24	9/32 PTC resistor, crankcase ventilation 9/38 Electrically heated fuel filter	2/142 2/142	20
F26	3/1 Start Control Module (SCU) 4/56 Central Electronic Module (CEM) F44 Fuse in the Central Electronic Module (CEM) F51-F54 Fuses in the Central Electronic Module (CEM) F73 Fuse in the Central Electronic Module (CEM)	- 3/1 3/1 3/1 3/1	15
F27	8/3 Electromagnetic clutch, climate control system	2/22	10
F29	2/34 Relay, front fog lights 10/5 Fog light, front left 10/6 Fog light, front right	- 2/34 2/34	15
F30	4/46 Engine control module (ECM), 4-cyl. 2.0l/1.6l Diesel	-	3
F31	6/26 Alternator, 4-cyl.	-	10
continues			

# Fuses

## Engine compartment distribution box F32-F34

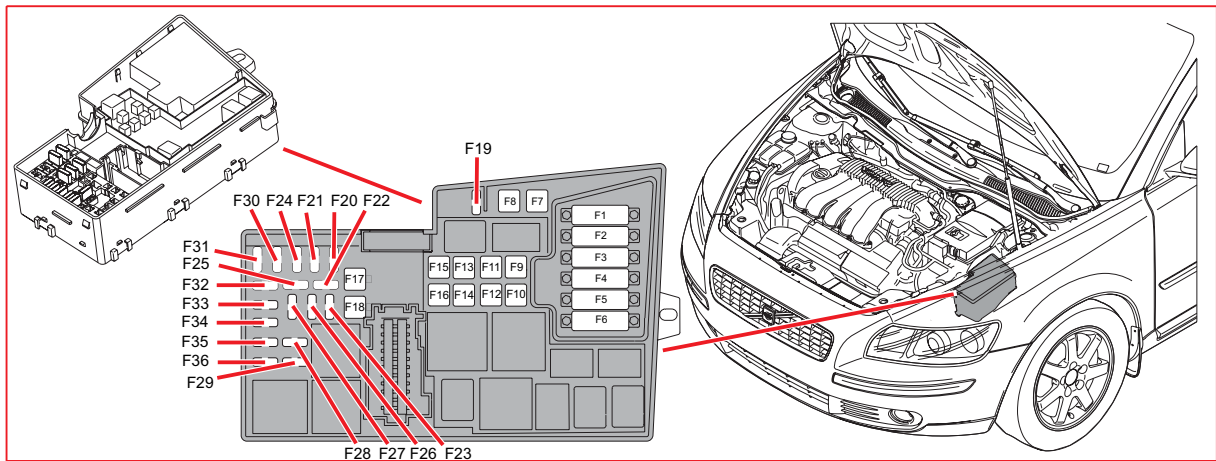


### 15/31 Engine compartment distribution box

No.	Fuse function	via	A
F32	6/143 Regulator motor, Turbo 7/15 Front heated oxygen sensor, 4-cyl. 7/17 Mass airflow sensor (MAF) 7/82 Rear heated oxygen sensor, 4-cyl. 8/6-8/10 Injection valves, 5-cyl. 8/121 Coolant valve, 4-cyl. 2.0l Diesel 8/122 Rear heated oxygen sensor, 4-cyl. 1.6l Diesel	- - - - - - -	10
F33	4/46 Engine control module (ECM), 5-cyl. Diesel 6/114 Vacuum pump, 5-cyl. 7/15 Front heated oxygen sensor, 5-cyl. 7/82 Rear heated oxygen sensor, 5-cyl. T 7/186 Rear heated oxygen sensor, not 5-cyl. 7/187 Center heated oxygen sensor, not 5-cyl. 8/84 Switch, vacuum pump 9/32 PTC resistor, crankcase ventilation 9/38 Heated fuel filter, Diesel	- 8/84 - - - - - - -	20
F34	8/6-8/9 Injection valves, 1.6l. 8/77 Fuel volume control valve, 4-cyl. 2.0l Diesel 8/111 High-pressure solenoid valve, 4-cyl. 1.6l Diesel 8/113 Fuel pressure bypass valve, Man 8/119 Pressure monitor, climate control system, 5-cyl. 8/120 EGR valve 8/133 Control valve fuel pressure 20/3 -20/7 Spark plug and ignition coil 20/17 Transformer, ignition coils, 1.6l	- - - - - - - - -	10
continues			

# Fuses

## Engine compartment distribution box F35-FH1



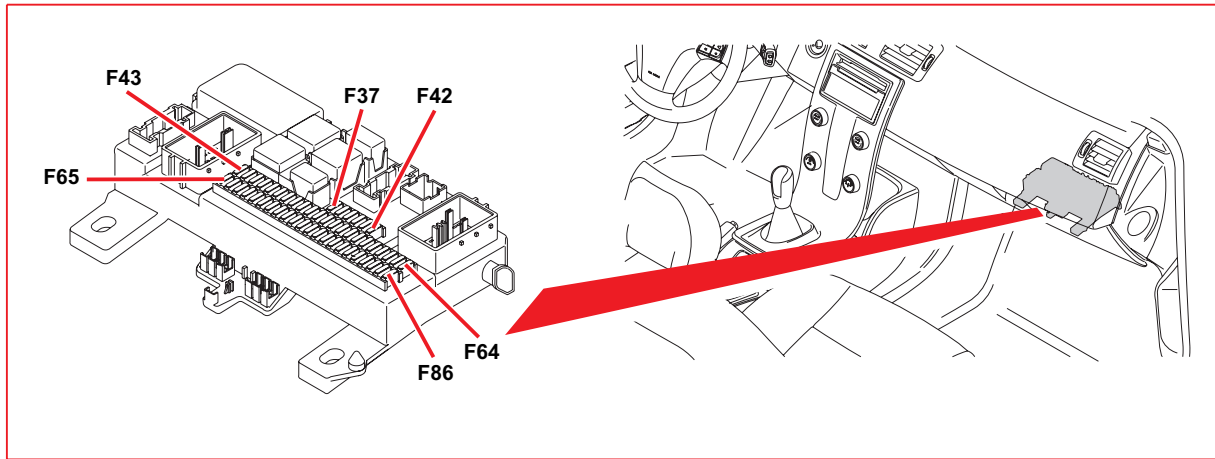
### 15/31 Engine compartment distribution box

No.	Fuse function	via	A	
F35	2/22	Relay, climate control system	-	15
	4/46	Engine control module (ECM), 5-cyl. Diesel	-	
	6/67	Pump, fuel leakage control	2/22	
	6/99	Engine EGR	-	
	7/17	Mass airflow sensor (MAF)	-	
	7/192	Water detection sensor	-	
	8/6-8/9	Injection valves	-	
	8/18	EVAP valve	-	
	8/19	Solenoid, variable valve timing, intake	-	
	8/28	Turbocharger control valve	-	
	8/45	Solenoid, variable valve timing, intake	-	
	8/65	Power steering pressure monitor	-	
	8/81	Solenoid, variable valve timing outlet	-	
	8/82	Solenoid, variable turbo geometry, 4-cyl. Diesel	-	
8/114	Valve mixing air/fuel	-		
8/132	Control valve inlet	-		
9/32	PTC-resistor air preheating	-		
F36	4/46	Engine Control Module (ECM)	-	10
	7/15	Heated oxygen sensor, front	-	
	7/51	Accelerator pedal sensor	-	
FH1	10/65	Auxiliary light, front right	2/64	20
	10/69	Auxiliary light, front left	2/64	



# Fuses

## Central Electronic Module (CEM) F43-F49

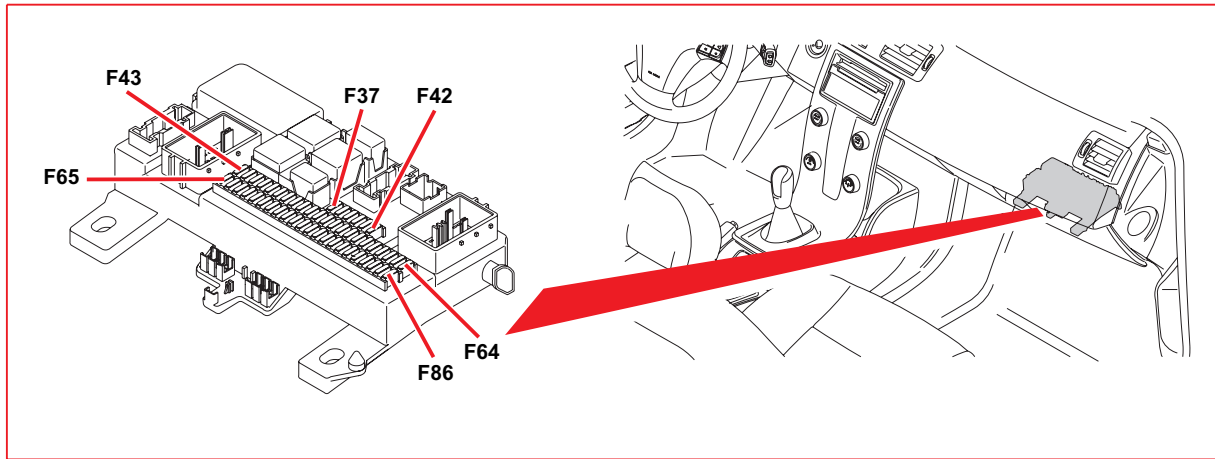


### 4/56 Central Electronic Module (CEM)

No.	Fuse function	via	A
F43	16/1 Integrated Audio Module (IAM)	-	15
	16/46 RTI Display	-	
	16/60 Phone Module (PHM)	-	
	16/108 Multimedia Module (MMM)	-	
F44	4/9 Supplemental Restraint System Module (SRS)	-	10
F45	9/1 Front 12V outlet	-	15
	9/25 Rear 12V outlet	-	
F46	3/111 Light Switch Module (LSM)	-	5
	5/1 Driver Information Module (DIM)	-	
	10/1 Lamp housing, front left	-	
	10/2 Lamp housing, front right	-	
	10/29 Glove compartment lighting	-	
	10/97 Courtesy lighting, left	-	
	10/102 Courtesy lighting, right	-	
F47	10/22 Ceiling light	-	5
	10/150 Rear reading light	-	
	10/114 Vanity mirror lighting, left	-	
	10/115 Vanity mirror lighting, right	-	
F48	2/16 Relay, rear window wiper	-	15
	2/92 Relay, windshield washer motor	-	
	2/93 Relay, rear window washer motor	-	
	6/2 Washer pump	2/92	
	6/32 Rear window wiper motor	2/93 2/16	
F49	4/9 Supplemental Restraint System Module (SRS)	-	10
	7/93 Occupant Weight Sensor (OWS), USA/CDN	-	
continues			

# Fuses

## Central Electronic Module (CEM) F51-F63

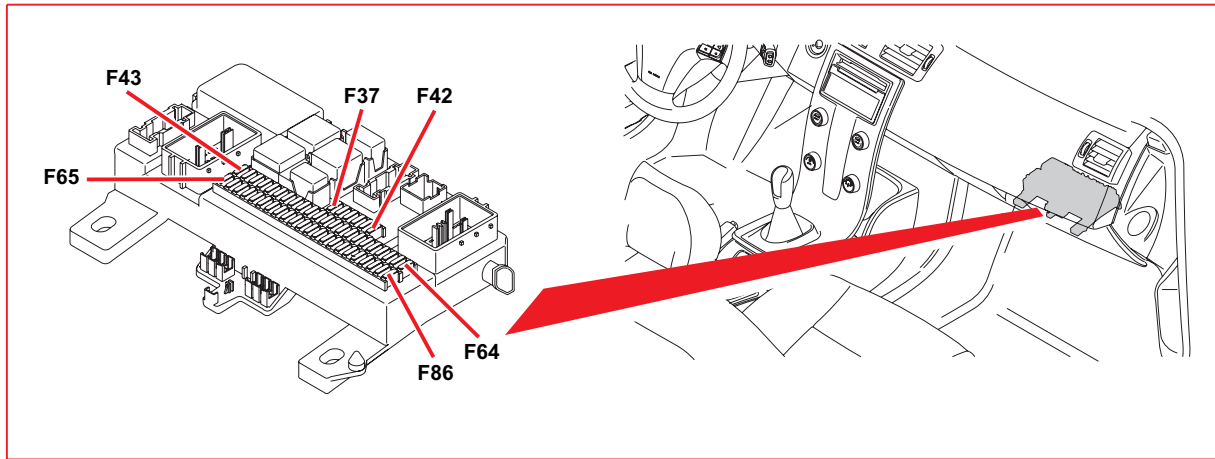


### 4/56 Central Electronic Module (CEM)

No.	Fuse function	via	A
F51	2/142 Fuel filter preheater relay	-	10
	4/82 Differential Electronic Module (DEM)	-	
	4/86 Parking Assistance Module (PAM)	-	
	4/112 Gas Discharge Lamp Module (GDL), master, left	-	
	4/113 Gas Discharge Lamp Module (GDL), slave, right	-	
	10/1 Front left lamp housing, beam length adjustment	4/112	
10/2 Front right lamp housing, beam length adjustment	4/113		
F52	4/16 Brake Control Module (BCM)	-	5
	4/28 Transmission Control Module (TCM)	-	
F53	6/71 Electrical Power Steering Module (EPS)	-	10
F54	4/46 Engine Control Module (ECM), 5-cyl. T	-	10
F55	4/93 Keyless Vehicle Module (KVM)	-	20
F56	16/35 Siren Control Module (SCM)	-	10
F57	3/9 Contact brake light	-	15
	17/13 Data link connector	-	
F58	4/113 Gas Discharge Lamp Module (GDL), slave, right	-	7.5
	10/2 Lamp housing, front right	-	
F59	4/112 Gas Discharge Lamp Module (GDL), master, left	-	7.5
	10/1 Lamp housing, front left	-	
F60	9/12 Seat Heating Module (SHM), driver's side	-	15
F61	9/13 Seat Heating Module (SHM), passenger side	-	15
F62	4/33 Sunroof control module	-	20
F63	3/129 Rear Right Door Module (RDM)	-	20
continues			

# Fuses

## Central Electronic Module (CEM) F64-F74

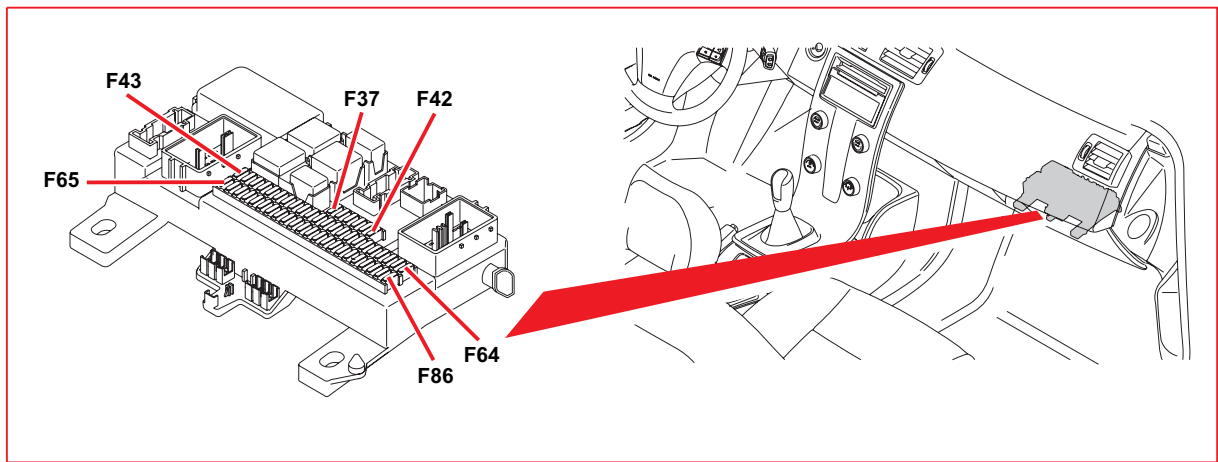


### 4/56 Central Electronic Module (CEM)

No.	Fuse function	via	A
F64	10/245 Lock indicator, left door, C70	-	5
	10/246 Lock indicator, right door, C70	-	
	16/49 Traffic Message Channel Module (TMC)	-	
	16/139 Global Positioning System Module (GPS)	-	
	16/145 Remote Digital Audio Receiver (RDAR)	-	
F65	2/157 Relay, subwoofer control module	-	5
	7/182 Remote control IR sensor, RTI	-	
	16/46 RTI Display	-	
	16/105 Audio Module (AUD)	-	
	16/150 AM/FM antenna and amplifier, rear right fender	-	
F66	3/112 Climate Control Module (CCM)	-	10
	16/1 Integrated Audio Module (IAM)	-	
	16/1.2 Infotainment Control Module (ICM)	-	
F68	3/254 Steering Wheel Module (SWM)	-	5
F69	6/48 Damper Motor Module (DMM), recirculation	-	5
	6/95 Damper Motor Module (DMM), left-hand side	-	
	6/96 Damper Motor Module (DMM), right-hand side	-	
	6/102 Damper Motor Module (DMM), defroster	-	
	6/103 Damper Motor Module (DMM), floor/ventilation	-	
	7/149 Rain Sensor Module (RSM)	-	
	7/159 Air quality sensor	-	
F73	3/117 Switch unit, ceiling light	-	5
	3/217 Belt buckle contact, rear left	-	
	3/218 Belt buckle contact, center rear	-	
	3/219 Belt buckle contact, rear right	-	
	4/33 Sunroof control module	-	
	8/48 Auto-dimming rearview mirror	-	
F74	10/22 Ceiling light	-	15
	4/83 Fuel pump control module, Gasoline	2/23	
	6/33 Fuel pump	2/23, 26/5	
continues			

**Fuses**

**Central Electronic Module (CEM) F77-F86**



**4/56 Central Electronic Module (CEM)**

No.	Fuse function	via	A
F77	4/78 Accessory Electronic Module (AEM)	-	15
	17/19 12V outlet, cargo compartment	-	
	17/39 13-pin outlet, tow hitch cable harness	-	
F79	8/48 Auto-dimming rearview mirror	2/80	5
	10/48 Reversing light, right	-	
	10/55 Reversing light, left	-	
F81	3/128 Rear Left Door Module (LDM)	-	20
F82	3/127 Passenger Door Module (PDM)	-	25
F83	3/126 Driver Door Module (DDM)	-	25
F84	3/27 Switch unit, power passenger seat	-	25
	4/54 Power Seat Module (PSM)	-	
F85	3/26 Switch unit, power driver's seat	-	25
	4/52 Power Seat Module (PSM)	-	
F86	3/26 Switch unit, power driver's seat	-	5
	3/27 Switch unit, power passenger seat	-	
	3/268 Load assistance switch	-	
	4/52 Power Seat Module (PSM)	-	
	4/54 Power Seat Module (PSM)	-	
	10/24 Cargo compartment lighting	-	
	10/25 Ceiling light, cargo compartment	-	
	10/26 Reading light, rear left	-	
	10/27 Reading light, rear right	-	
	10/114 Vanity mirror lighting, left	-	
	26/5 DC/AC converter, fuel tank	2/23	