

Document Title: Table of contents, wiring diagrams	Function Group: 370	Information Type: Service Information	Date: 8/02/2013
Profile: WLO, L120F [GB]			

Table of contents, wiring diagrams

Wiring diagram

[370 Wiring diagram 201](#)
[370 Wiring diagram 202](#)
[370 Wiring diagram 203](#)
[370 Wiring diagram 204](#)
[370 Wiring diagram 205](#)
[370 Wiring diagram 206](#)
[370 Wiring diagram 301](#)
[370 Wiring diagram 302](#)
[370 Wiring diagram 303](#)
[370 Wiring diagram 304](#)
[370 Wiring diagram 305](#)
[370 Wiring diagram 306](#)
[370 Wiring diagram 308](#)
[370 Wiring diagram 309](#)
[370 Wiring diagram 310](#)
[370 Wiring diagram 312](#)
[370 Wiring diagram 313](#)
[370 Wiring diagram 314](#)
[370 Wiring diagram 315](#)
[370 Wiring diagram 316](#)
[370 Wiring diagram 317](#)
[370 Wiring diagram 402](#)
[370 Wiring diagram 403](#)
[370 Wiring diagram 404](#)
[370 Wiring diagram 407](#)
[370 Wiring diagram 408](#)
[370 Wiring diagram 501](#)
[370 Wiring diagram 601](#)
[370 Wiring diagram 602](#)
[370 Wiring diagram 604](#)
[370 Wiring diagram 801](#)
[370 Wiring diagram 802](#)
[370 Wiring diagram 804](#)
[370 Wiring diagram 805](#)
[370 Wiring diagram 806](#)
[370 Wiring diagram 807](#)
[370 Wiring diagram 901](#)

Function

Engine cooling, fuel level, reversal cooling fan
 Sensors connected to E-ECU
 Sensors connected to E-ECU
 Preheating, EGR-valve, electrically heated fuel filter
 Accelerator pedal, hand throttle
 Injection
 Voltage supply
 Voltage feed control units
 Start circuit
 Lighting
 Work lights
 Flashing hazard lights, direction indicators, interior lighting
 Electrically controlled battery disconnect switch
 Keypad
 Communication control units
 Double work lights cab
 Work lights rear, continuous/gear-dependent
 Radio, voltage converter 20A
 Radio, voltage socket, audible signals
 CareTrack
 Fuse test, unoccupied connections
 Gear shifting solenoids
 Sensor transmission, mode selector, differential lock
 Sensor transmission, fully automatic downshifting
 Single lever control
 Gear selector
 Brakes
 Lever steering (CDC)
 Lever steering (CDC) Angle sensor
 Secondary steering
 Windshield wiper and windshield washer
 Operator's seat, ambient temperature
 Back-up camera, rear-view mirrors
 Air conditioning
 Air conditioning
 Fan cyclone filter
 Working hydraulics

[370 Wiring diagram 902](#)

[370 Wiring diagram 903](#)

[370 Wiring diagram 904](#)

[370 Wiring diagram 908](#)

[370 Wiring diagram 909](#)

[370 Wiring diagram 910](#)

[370 Wiring diagram 911](#)

[370 Wiring diagram 912](#)

[370 Wiring diagram 913](#)

Working hydraulics

Boom Suspension System, hydraulic oil temperature / level

Working hydraulics, attachment locking, 3rd hydraulic function, 3rd hydraulic function together with 4th hydraulic function

Output control pump 1 (P1)

Working hydraulics (electric servo)

Working hydraulics (electric servo)

Working hydraulics (electric servo)

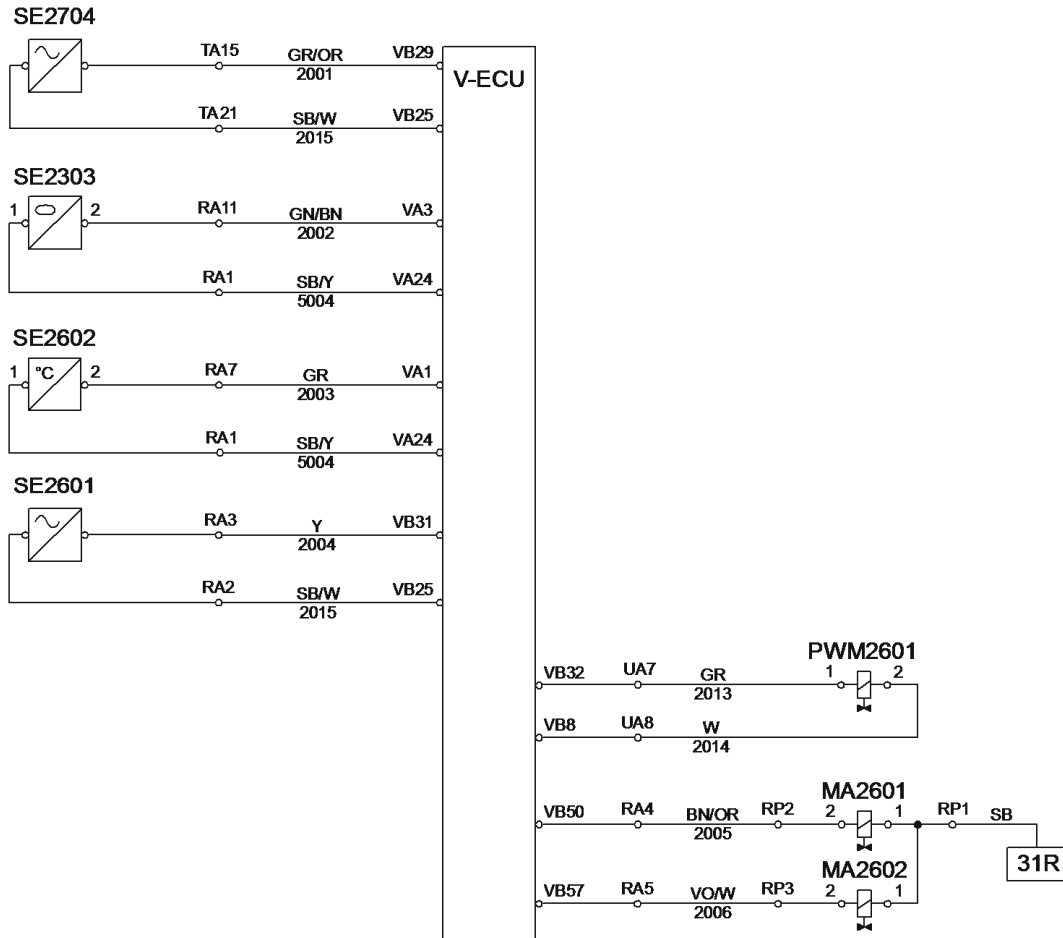
Working hydraulics with joystick

Central lubrication

Document Title: Wiring diagram 201	Function Group: 370	Information Type: Service Information	Date: 8/02/2013
Profile: WLO, L120F [GB]			

Wiring diagram 201

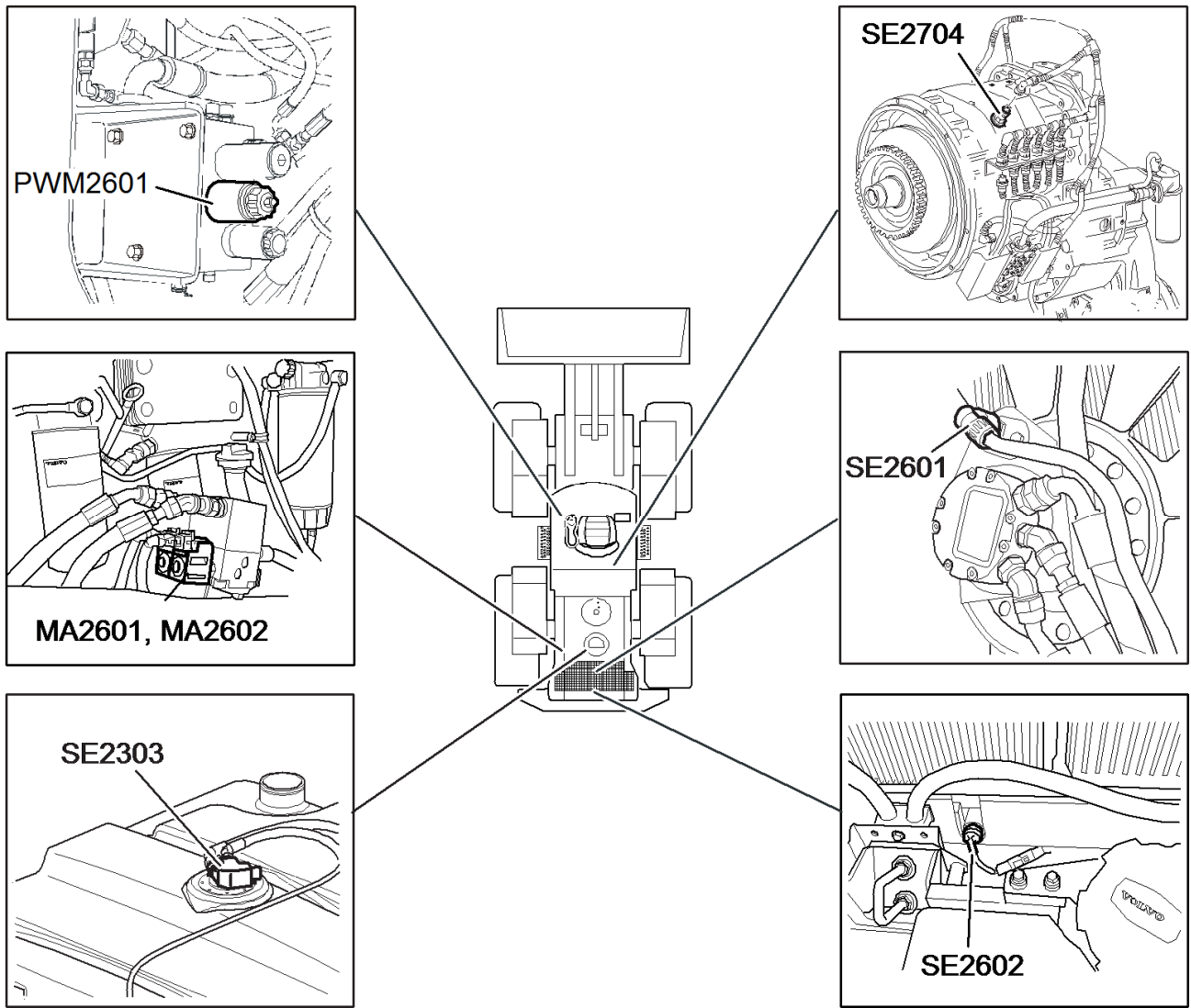
Engine cooling, fuel level, reversal cooling fan



11171350-P03
V1044502

Figure 1

Designation	Function
MA2601	Reversal cooling fan, disengagement
MA2602	Reversal cooling fan, rotation direction
PWM2601	Control pump 3 (P3)
SE2303	Fuel level
SE2601	Fan speed
SE2602	Coolant temperature, outlet radiator
SE2704	Engine rpm flywheel



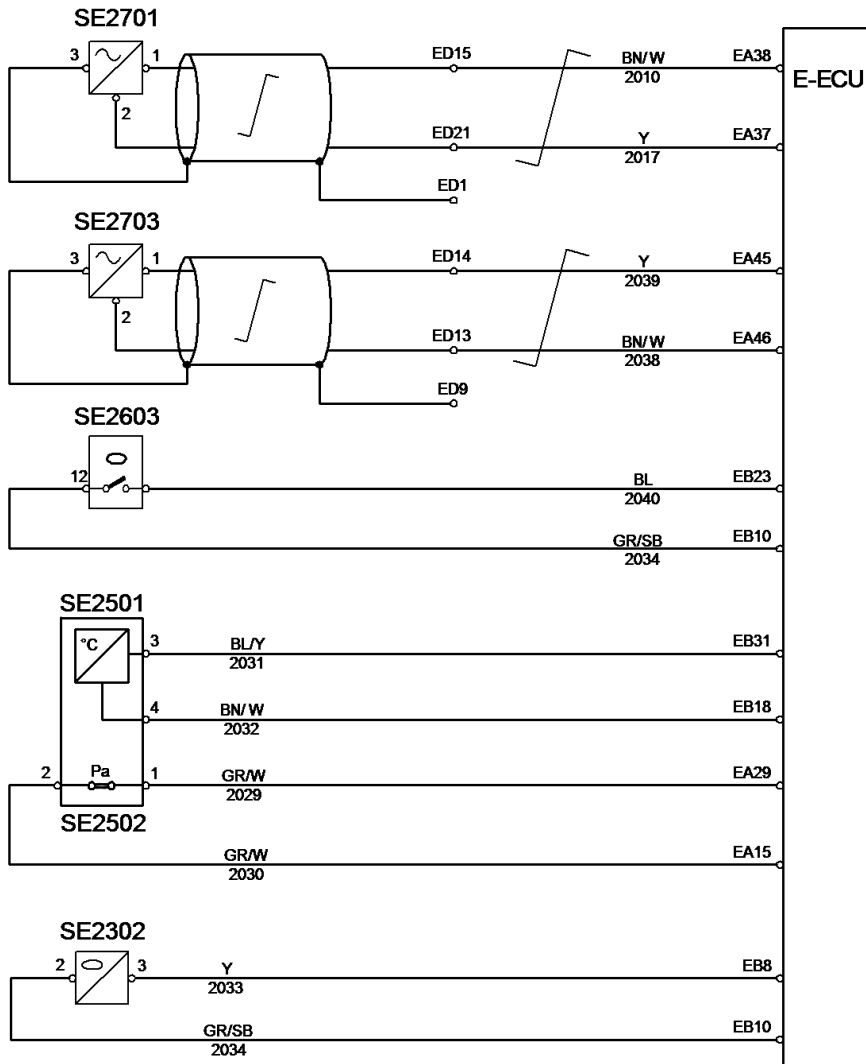
V1061482

Figure 2
Component position

Document Title: Wiring diagram 202	Function Group: 370	Information Type: Service Information	Date: 8/02/2013
Profile: WLO, L120F [GB]			

Wiring diagram 202

Sensors connected to E-ECU

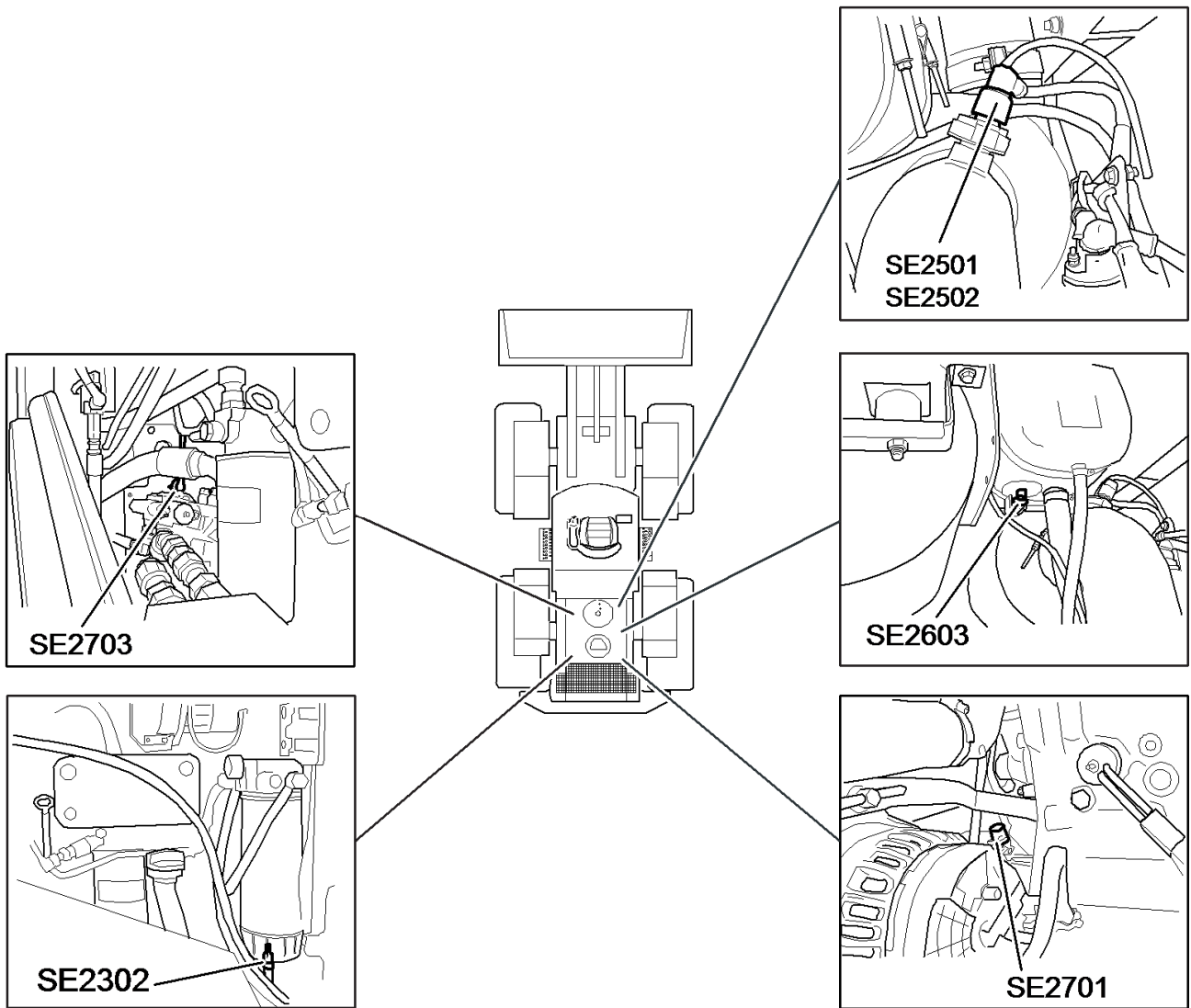


11171352-P03
V1044503

Figure 1

Designation	Function
SE2302	Water level in fuel
SE2501	Temperature induction air
SE2502	Air filter monitor

SE2603	Coolant level
SE2701	Engine rpm crankshaft
SE2703	Camshaft speed



V1059311

Figure 2
Component position

Document Title: Wiring diagram 205	Function Group: 370	Information Type: Service Information	Date: 8/02/2013
Profile: WLO, L120F [GB]			

Wiring diagram 205

Accelerator pedal, hand throttle

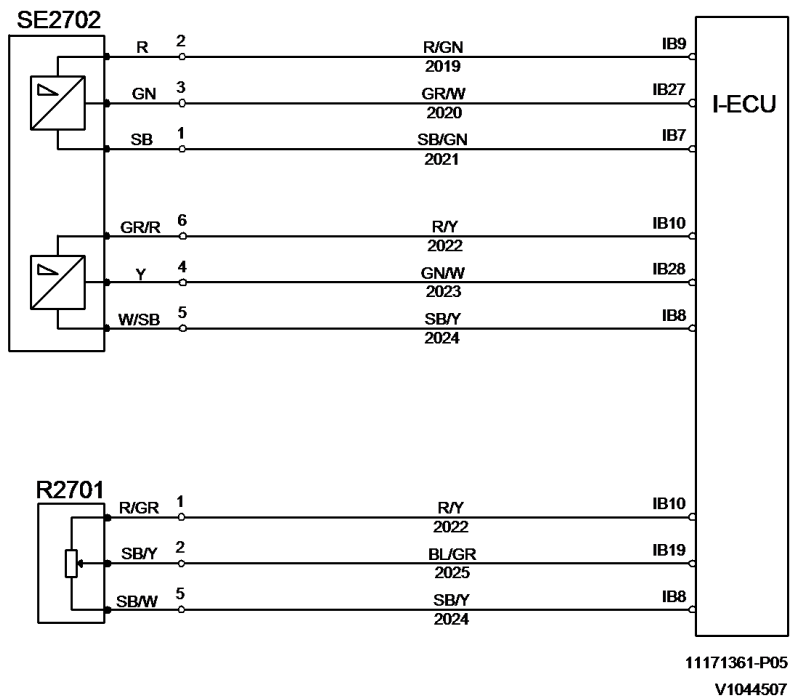


Figure 1

Designation	Function
R2701	Hand throttle
SE2702	Throttle pedal

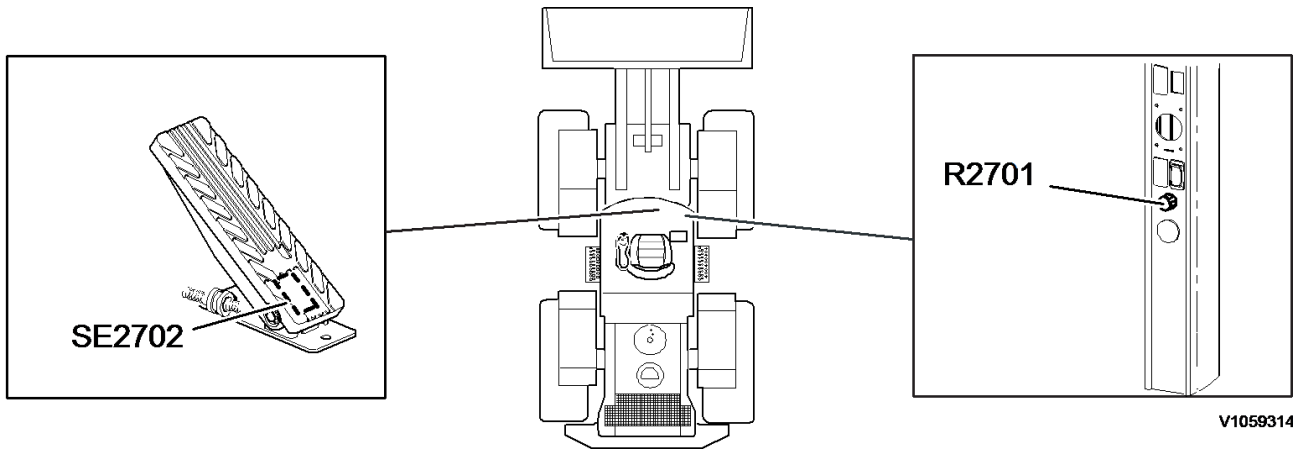
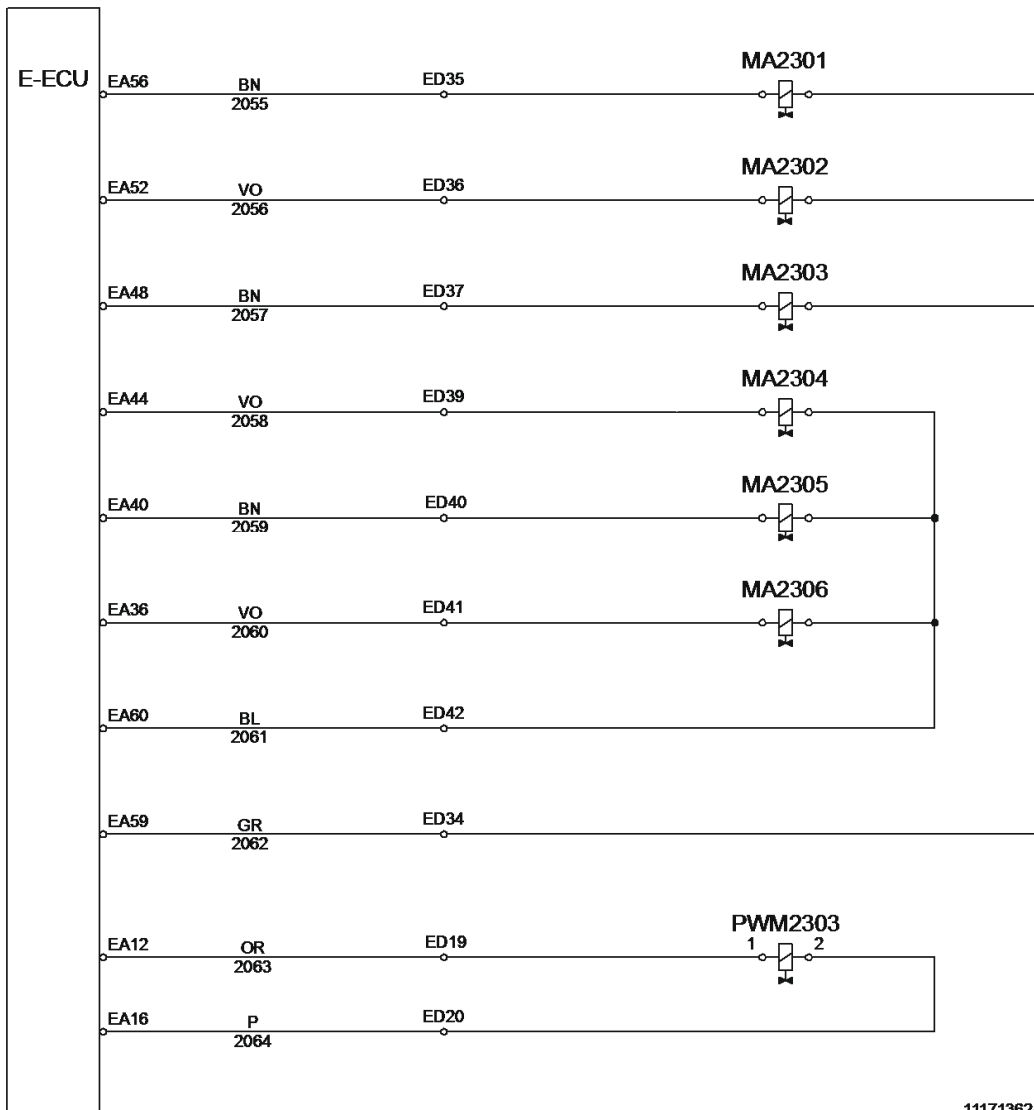


Figure 2
Component position

Document Title: Wiring diagram 206	Function Group: 370	Information Type: Service Information	Date: 8/02/2013
Profile: WLO, L120F [GB]			

Wiring diagram 206

Injection



11171362-P02
V1044508

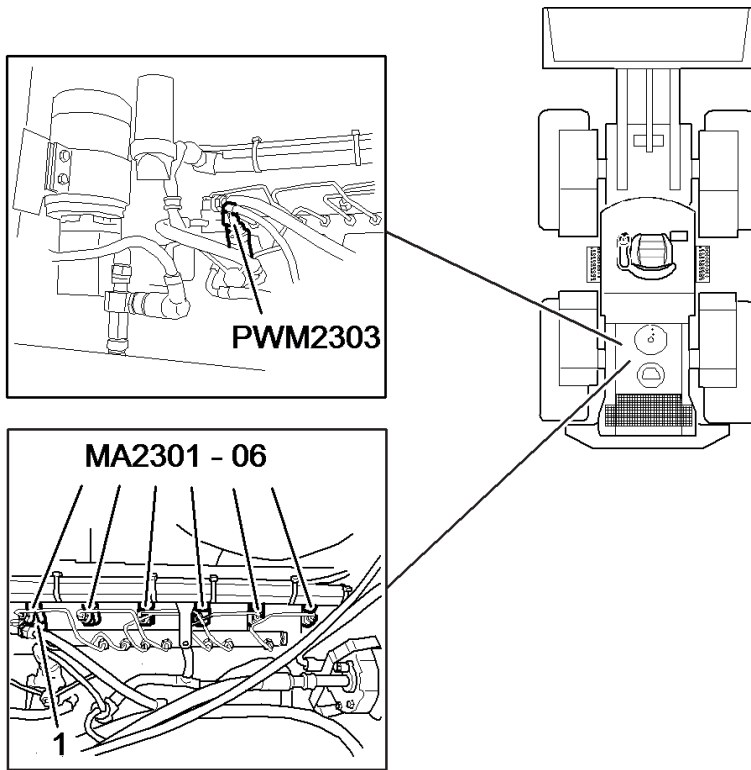
Figure 1

Designation	Function
MA2301	Injector 1
MA2302	Injector 2

Volvo L120f Schematics

Full download: <http://manualplace.com/download/volvo-l120f-schematics/>

MA2303	Injector 3
MA2304	Injector 4
MA2305	Injector 5
MA2306	Injector 6
PWM2303	Fuel pressure valve



V105931E

Figure 2
Component position