

Volvo C70 06 2006wiring Diagram

Full download: <http://manualplace.com/download/volvo-c70-06-2006wiring-diagram/>

VOLVO

for life



VOLVO WIRING DIAGRAM

C70 (06-)
FLEXIFUEL B4184S8 & D5244T8 S40 (04-)/V50

TP 3992202

2006

Vehicles with SRS (Airbag)/SIPS bag/ IC (Inflatable Curtain)

Warning!

Extra caution must be exercised when working on vehicles equipped with SRS/SIPS bag/IC in order to avoid:

1. Personal injuries when performing repair work.
2. Damage or malfunction of the SRS/SIPS bag/IC system.

Work involving the SRS/SIPS bag/IC systems or other components in the vehicle that may affect the SRS/SIPS bag/IC systems must always be performed by an authorized Volvo workshop.

In case of doubt, consult the SRS and SIPS bag/IC service manual.

Is the vehicle equipped with SRS/SIPS bag/IC?

Vehicles with SRS are most easily recognized by the letters SRS in the center of the steering wheel. If the vehicle also has a passenger side airbag, the letters SRS are stamped on the dashboard above the glove compartment. SRS vehicles from 1993 and onward also have explosive seat belt tensioners. SIPS bags are only installed on SRS vehicles from 1995 and onward. SIPS bag decals are located on the windshield and seat compartment. Vehicles with IC can be recognized by the letters IC on the C/D panel (4 door) or the B panel (5 door).

General recommendations

- Be especially careful when working on or around SRS, SIPS, and IC components.
- Make sure that no wires are pinched, frayed, or pierced.
- Never install accessories by the sensors.
- Where applicable, work on the steering wheel, steering shaft, or steering gear must be done in accordance with the methods in the SRS section of VIDA.
- Certain components of the aforementioned systems must be grounded while working. Read the appropriate sections in VIDA.
- Install no accessories in the areas between the A and B posts, the B and C posts, and the C and D posts.

Test terminal

Data link connector in the passenger compartment.

Changes introduced up to and including October 2005

Any changes made to the vehicles after this date are not included in the manual. If necessary refer to service bulletins.

Volvo models are sold in versions adapted for different markets. These adaptations depend on factors such as legal requirements, taxation, and market demands.

This manual may therefore include illustrations and text that do not apply to the vehicles in your country.

Order number TP 3992202

Replaces previous publication 3992201 at Electronic Wiring Diagram (EWD)
TP 3991002

We retain the right to make modifications

Table of Contents 1:2

Vehicles with SRS (Airbag)/SIPS bag/	
IC (Inflatable Curtain).....	2
Abbreviations.....	5
How to use the wiring diagrams 1:2.....	6
Electrical distribution 1:2.....	8

Fuses

Engine compartment distribution box F1-F8.....	10
Engine compartment distribution box F9-F18.....	11
Engine compartment distribution box F20-F32.....	12
Engine compartment distribution box F33-FH1	13
Central Electronic Module (CEM) F43-F56.....	14
Central Electronic Module (CEM) F57-F69.....	15
Central Electronic Module (CEM) F73-F86.....	16
Battery PF1-PF2.....	17

Relays

Ignition switch and relays.....	18
Distribution box in engine compartment R1-R14.....	19
Central Electronic Module (CEM) R15-R18.....	20
Relays - soldered.....	21

Ground connections

Overview.....	22
31/3 - 31/10	23
31/11 - 31/66	24
31/67 - 31/84	25
31/88 - 31/112	26
31/114 - Ground connections in chassis.....	27

Control modules

Overview of locations.....	28
Overview of designations.....	29
Central Electronic Module (CEM) 1:2	30
Data communication, Low speed CAN 1:2	32
Data communication, LIN 1:2	34
Data communication, High speed CAN	36
Data communication, MOST	37
Start Control Module (SCU)	38
Accessory Electronic Module (AEM)	39

Group 23 Fuel system

Engine management system, 4-cyl 1.8l 1:2.....	40
Engine management system, 5-cyl 1:2.....	42
Engine management system, 5-cyl Turbo 1:2.....	44
Engine management system 5-cyl. 2.4l diesel 1:3	46
Emission control, 4-cyl 1.8l.....	49
Emission control, 5-cyl.....	50

Emission control, 5-cyl Turbo.....	51
------------------------------------	----

Group 26 Cooling system

Cooling fan.....	52
------------------	----

Group 27 Engine control

Cruise control, 4-cyl. 1.8L	53
Cruise control, 5-cyl	54

Group 32 Alternator and voltage regulator

Power supply, 4-cyl.....	55
Power supply, 5-cyl.....	56

Group 33 Starting system

Starting system, 4-cyl.....	57
Starting system, 5-cyl.....	58

Group 35 Lighting

High and low beam	59
High and low beam (Bi-Xenon).....	60
Auxiliary lights	61
Manual beam length adjustment.....	62
Automatic beam length adjustment (Bi-Xenon)	63
Position/Parking lights, Tail lights	64
Position/Parking lights, Tail lights (Bi-Xenon)	65
Fog lights	66
Fog lights LHD, Japan	67
Brake lights	68
Reversing lights	69
Interior lighting 1:2	70
Instrument and control illumination	72
Approach lighting	73

Group 36 Additional electrical equipment

Direction indicators and hazard warning flashers	74
Direction indicators and hazard warning flashers (Bi-Xenon)	75
Windshield wiper/washer	76
Headlight washer	77
Rain sensor.....	78
Immobilizer/Steering column lock module (SCL)	79
Keyless vehicle 1:2	80
Anti-theft alarm	82
Horn	83
Rear parking assistance	84
Front parking assistance.....	85
Accessory Electronic Module (AEM).....	86

Table of Contents 2:2

Group 37 Wiring and fuses

Diagnostics system.....	87
12V outlet	88
Tow hitch cable harness, 4-pin	89
Tow hitch cable harness, 7-pin	90
Tow hitch cable harness, 13-pin	91

Group 38 Instruments

Seat belt reminder	92
Driver information module.....	93

Group 39 Other

Low level audio 1:2	94
Audio 1:2	96
Cellular phone 1:2	98
Turn by Turn navigation, low level audio	100
Turn by Turn navigation, Audio	101
Universal handsfree, low level audio	102
Handsfree Universal	103
Handsfree Max with Adapter	104
Handsfree Max	105
Multimedia & Traffic information	106

Group 43 Transmission

Automatic transmission AW55-51.....	107
Transmission M66	108

Group 59 Brake system

Brake control system	109
Brake control system & STC.....	110
Brake control system & DSTC.....	111

Group 64 Steering

Electronic power steering	112
---------------------------------	-----

Group 83 Doors and openings

Central locking.....	113
Central locking, trunk lid/tailgate.....	114
Central locking, fuel filler flap.....	115
Central locking, storage compartment.....	116
Signal receiver, remote-control, central locking.....	117
Power windows.....	118
Power roof	119

Group 84 Exterior decorative elements, etc.

Power door mirrors	120
Heated door mirrors.....	121
Heated rear window.....	122

Group 85 Interior equipment

Power driver's seat with memory function, LHD	123
---	-----

Power driver's seat with memory function, RHD	124
Power passenger seat with memory function, LHD ...	125
Power passenger seat with memory function, RHD ..	126
Power driver's seat, LHD	127
Power driver's seat, RHD.....	128
Power passenger seat, LHD	129
Power passenger seat, RHD	130
Heated seats.....	131

Group 87 Climate control system

Climate control system, 4-cyl. 1:2.....	132
Climate control system, 5-cyl 1:2.....	134
Climate control system 5-cyl. 2.4l diesel 1:2.....	136
Climate control system PTC element	138
Parking heater, auxiliary heater	139
Relay, electric engine heater	140
Electric engine heater, FlexiFuel.....	141

Group 88 Internal equipment

Supplemental Restraint System Module (SRS) 1:2...	142
Auto-dimming rearview mirror	144

Connectors..... 145

Branching points170

Cable harness routing in vehicle

Engine harness 4-cyl. 1.8	180
Engine harness 5-cyl. 2.4l.....	180
Engine harness 5-cyl. 2.5l Turbo	181
Engine harness 5-cyl. 2.4l diesel	181
Engine compartment harness, 4-cyl.	182
Engine compartment harness, 5-cyl.	182
Dashboard harness, LHD	183
Dashboard harness, RHD.....	183
Floor harness C70 LHD	184
Floor harness C70 RHD.....	185
Tunnel harness C70	186
Driver's door harness C70	187
Driver's door harness, addition C70.....	187
Passenger door harness C70	188
Passenger door harness, addition C70.....	188
Harness, rear side panel, right C70	189
Harness, rear side panel, left C70	189
Trunk lid harness, C70.....	190

Component illustrations191

Index 1:2236

List of components 1:5238

Explanations

Abbreviations

Groups

Group 23	= Fuel system
Group 26	= Cooling system
Group 27	= Engine controls
Group 32	= Alternator and voltage regulator
Group 33	= Starting system
Group 35	= Lighting
Group 36	= Additional electrical equipment
Group 37	= Wiring and fuses
Group 38	= Instruments
Group 39	= Other
Group 43	= Transmission
Group 59	= Brake system
Group 64	= Steering
Group 83	= Doors and openings
Group 84	= Exterior decorative elements, etc.
Group 85	= Interior equipment
Group 87	= Climate control system
Group 88	= Internal equipment

Ignition switch symbols

X	= Accessories (audio position)
S	= Powered upon insertion of key
15	= Contact remains connected during start
15I	= Contact is broken while starting
30	= Constant power from the battery
50	= Start

Countries/Markets

A	= Austria
AUS	= Australia
B	= Belgium
CDN	= Canada
CH	= Switzerland
D	= Germany
DK	= Denmark
E	= Spain
EU/OS	= Markets outside USA and Canada
FIN	= Finland
GB	= Great Britain
ISR	= Israel
J	= Japan
KOR	= Korea
N	= Norway
NL	= Netherlands
S	= Sweden
USA	= United States of America
WEU	= Western Europe

Other

AUTO	= Automatic transmission
CAN	= CAN communication
DPY	= Display
ECC	= Electronic climate control system
ETA	= Engine throttle body
EXT. X	= Extended X-feed
FFV	= Flexifuel
GDL	= Gas discharge lamp
HISPEED	= High speed data bus
IR	= Infrared sensor
I5D	= D5244T8
LIN	= LIN communication
LHD	= Left-hand drive
LOSPEED	= Low speed data bus
MAN	= Manual transmission
MEMORY	= Memory driver's seat
MMS	= Mass Movement Sensor
GASOLINE	= Gasoline
RHD	= Right-hand drive
SCR	= Display screen
SRS	= Airbag
T	= Turbocharged engine
W/O	= Without
2WD	= Two-wheel drive
4CYL, I4	= 4-cylinder engine
5CYL, I5	= 5-cylinder engine

Colors

BK, SB	= Black
BN	= Brown
BU, BL	= Blue
GN	= Green
GY, GR	= Gray
LGN	= Light Green
OG, OR	= Orange
PK, P	= Pink
RD, R	= Red
VT, VO	= Violet
WH, W	= White
YE, Y	= Yellow

How to use the wiring diagrams 1:2

The descriptions below apply in general to all wiring diagram manuals, although not all sections are necessarily contained in this manual.

A. Component designation

Every component has a component designation that consists of two parts.

The first part is a type number that describes the type of component in question, e.g. 3/xx.

The second part of the designation is a serial number, e.g. x/2.

Together, this constitutes a component designation, e.g. 3/2.

At the end of the manual is a list of components, where, with the help of the component designation, you can read off the name of the component, e.g., 3/2 = light switch.

List of type numbers

The list shows which type of component that respective type numbers refer to, e.g., 3/x = switch, 6/x = electric motor, etc.

1	Battery
2	Relay
3	Switch
4	Control module
5	Driver information module
6	Electric motor
7	Sensor
8	Actuator
9	Heating element
10	Light
11	Fuse
15	Electrical distribution rail/box
16	Audio
17	Service/diagnostics
18	Contact reel
19	Meter
20	Ignition component/shunt
27	Optics
31	Ground connection
63	Branching point
64	Connector

B. Branching points

The wiring diagrams contain numbered junction points, e.g. 63/352.

This manual contains a section with a list of branching points. This list shows all the components that are connected to each branching point.

The location of the branching points is shown in the "Cable harness routing in vehicle" section.

C. Connectors

Connectors provide a bridge between two cable harnesses and are described in the "Connectors" section.

D. Electrical distribution

Operation of the fuses and relays is shown in the "Electrical distribution" section.

E. Data communication

Today's cars contain CAN and MOST networks that transfer information. Connections to these networks are not shown in their entirety in the respective wiring diagram. Complete information on CAN and MOST communication is found in the section "Control modules".

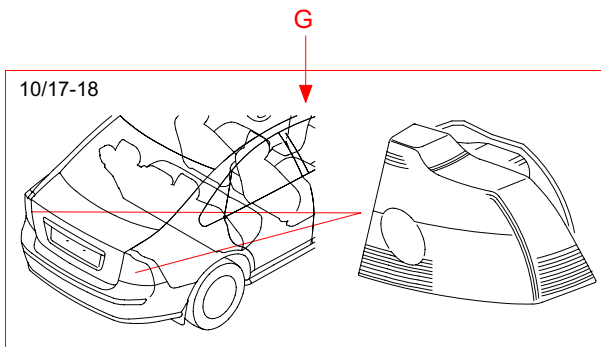
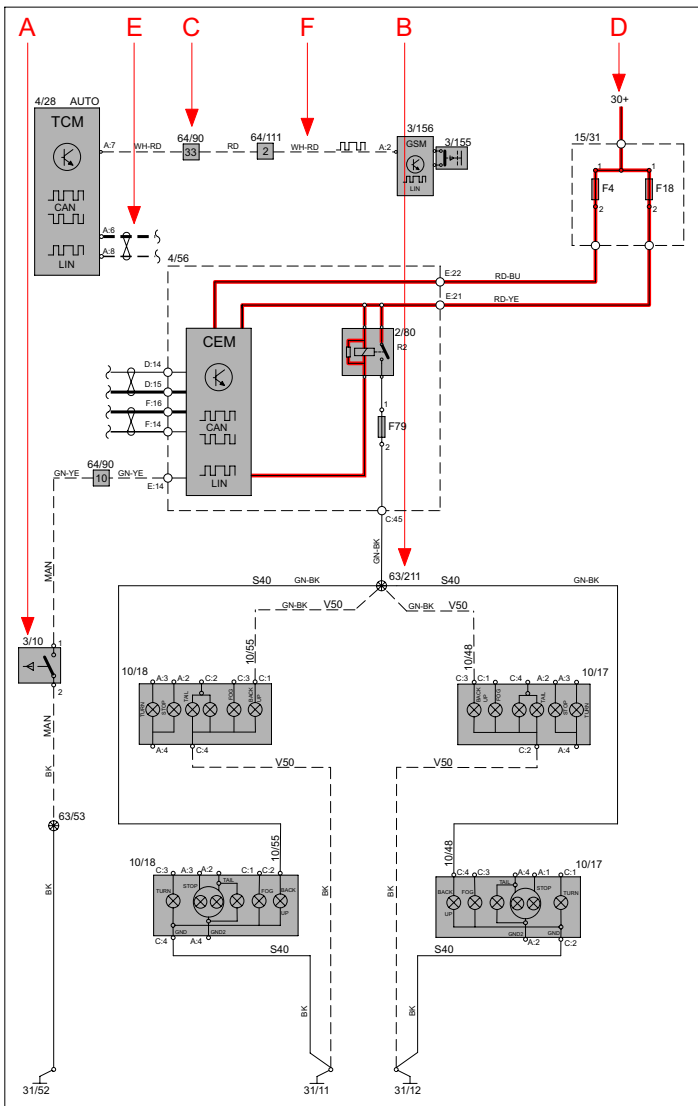
F. Abbreviations

A number of different abbreviations are used in the manual. These are explained in the section "Abbreviations".


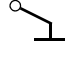
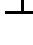
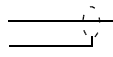

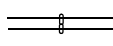

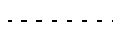

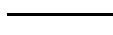


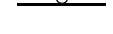




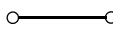


G. Component location

There is a section at the end of the manual in which the appearance and location of components is described in numerical order.

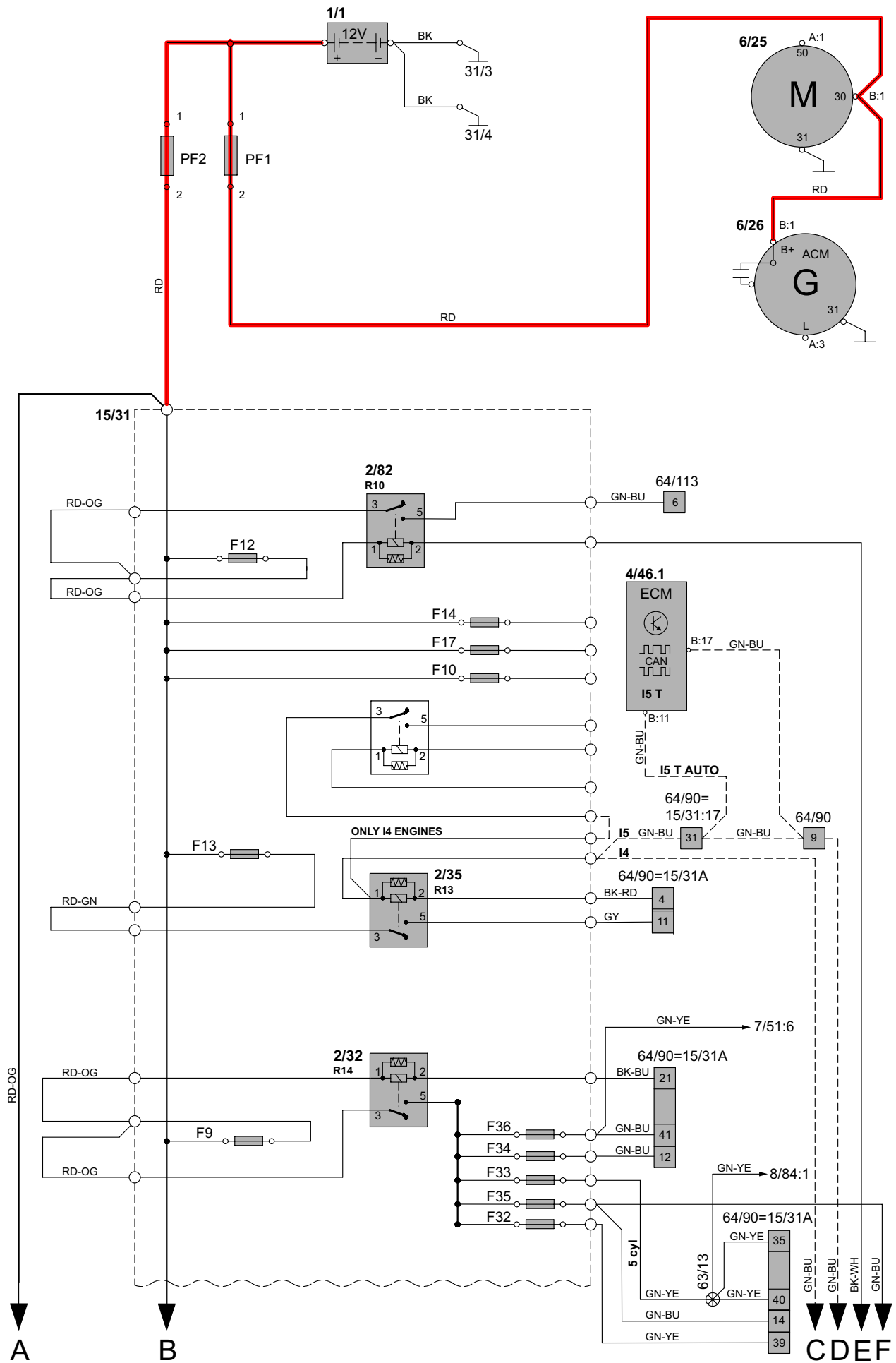
How to use the wiring diagrams 2:2



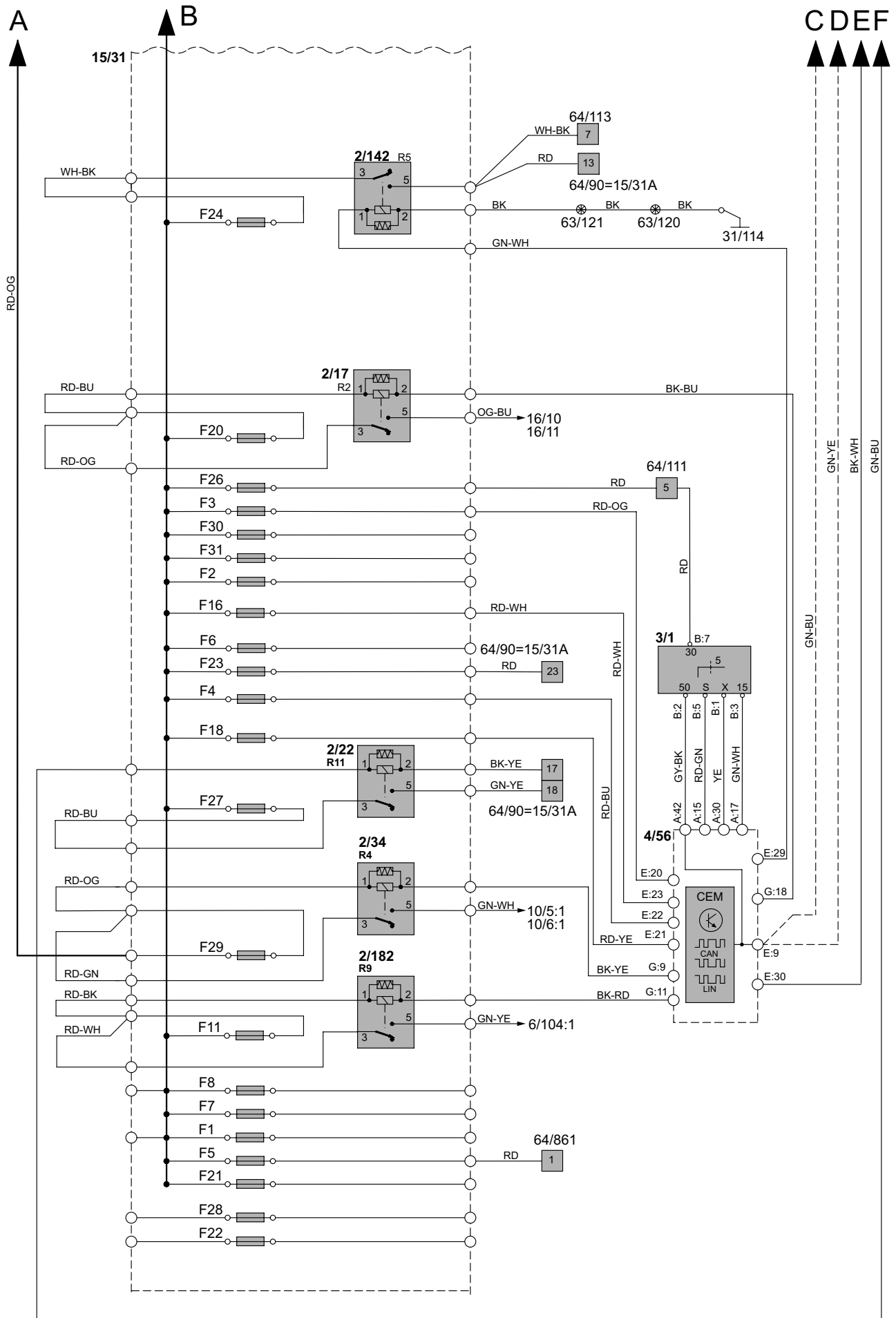
List of symbols

-  = System voltage
-  = Ground connection via wiring
-  = Ground connection on component/chassis
-  = Screened wire
-  = Junction point
-  = Twisted cable
-  = Electrical connection
-  = Variant
-  = CAN communication
-  = CAN high data signal (CAN H)
-  = CAN low data signal (CAN L)
-  = MOST communication
-  = LIN communication
-  = DIN cable, coaxial cable, etc.
-  = Data communication
-  = CAN communication
-  = Connection with distribution box
-  = Further connection to...
-  = Connector between cable harnesses
-  = Connector connected to component

Electrical distribution 1:2 Overview

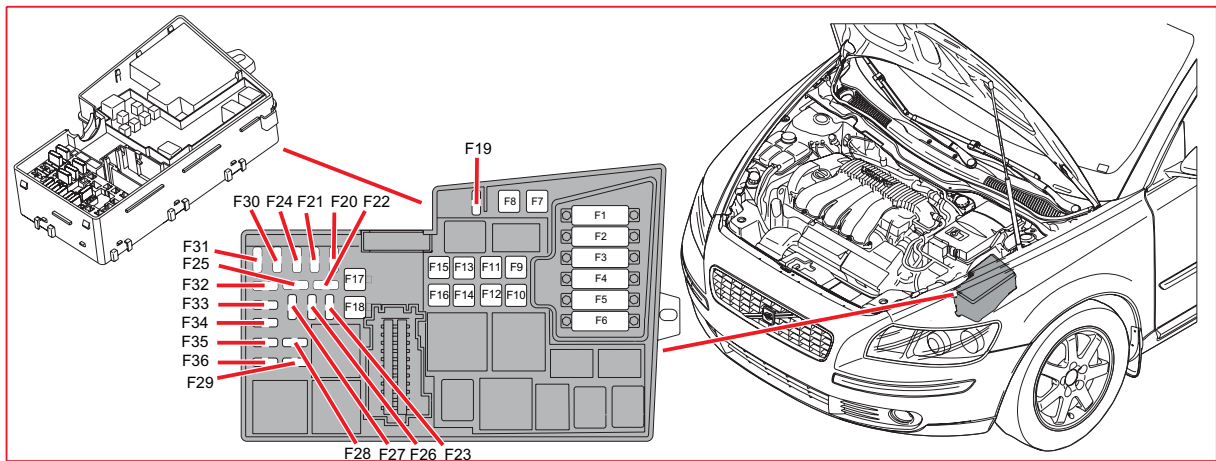


Electrical distribution 2:2 Overview



Fuses

Engine compartment distribution box F1-F8

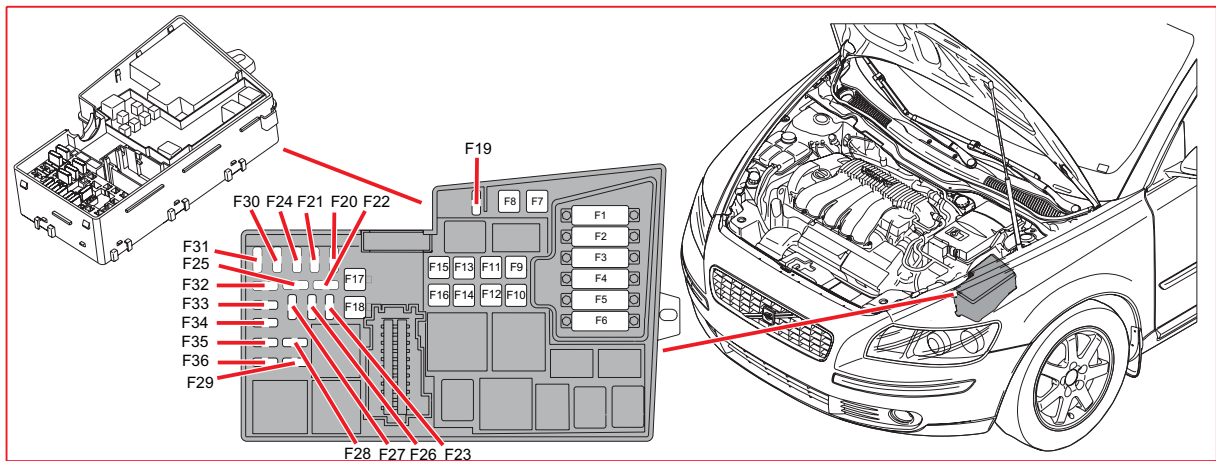


15/31 Engine compartment distribution box

No.	Fuse function	via	A
F1	4/71 Cooling fan control module	-	50
F2	6/71 Electrical Power Steering Module (EPS)	-	80
F3	2/193 Relay, comfort functions	-	60
	F45 Fuse in the Central Electronic Module (CEM)	2/193	
	F48-F49 Fuses in the Central Electronic Module (CEM)	2/193	
	F60-F61 Fuses in the Central Electronic Module (CEM)	2/193	
	F62-F63 Fuses in the Central Electronic Module (CEM)	-	
	F68-F69 Fuses in the Central Electronic Module (CEM)	2/193	
	F84-F85 Fuses in the Central Electronic Module (CEM)	-	
F4	2/63 Relay, high beam	-	60
	F55 Fuses in the Central Electronic Module (CEM)	-	
	F58-F59 Fuses in the Central Electronic Module (CEM)	2/63	
	F74 Fuses in the Central Electronic Module (CEM)	-	
	F77 Fuses in the Central Electronic Module (CEM)	-	
F5	9/41 PTC-element	-	80
F6	4/109 Glow plug control module	-	60
F7	4/16 Brake Control Module (BCM), pump	-	30
F8	4/16 Brake Control Module (BCM), valves	-	20
continues			

Fuses

Engine compartment distribution box F9-F18

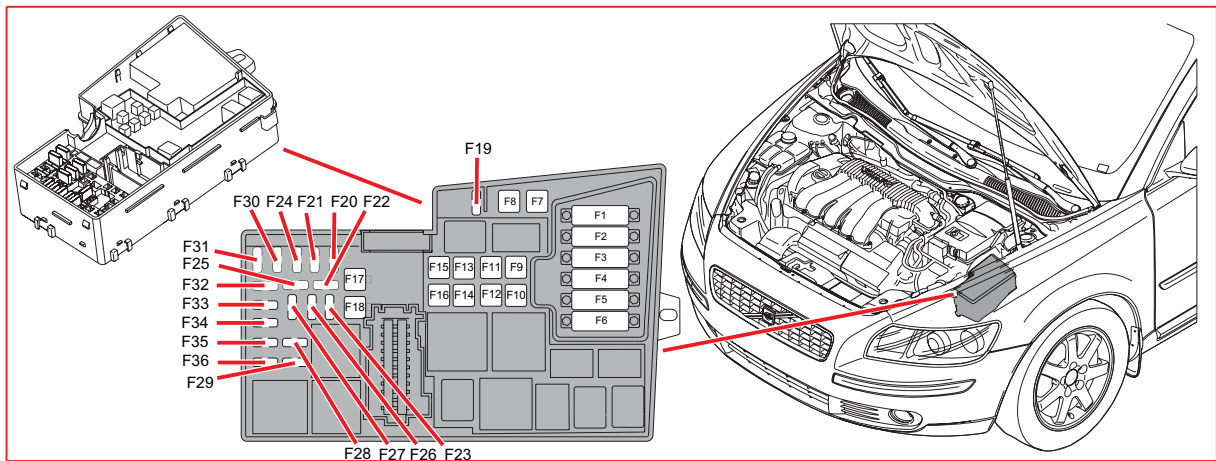


15/31 Engine compartment distribution box

No.	Fuse function	via	A
F9	2/32 Main relay, engine management system F32-F36 Fuses in the engine compartment distribution box	- 2/32	30
F10	4/31 Fan control module	-	40
F11	6/104 Pump, high pressure headlight washer	2/182	20
F12	2/82 Relay, heated rear window 9/2 Heated rear window	- 2/82	30
F13	6/25 Starter motor	2/35	30
F14	4/110 Trailer Module (TRM)	-	40
F15	4/59 Convertible Roof Module (CRM)	-	30
F16	2/159 Relay, infotainment 16/105 Audio Module (AUD) F43 Fuse in the Central Electronic Module (CEM) F64 Fuse in the Central Electronic Module (CEM) F65-F67 Fuses in the Central Electronic Module (CEM)	- - - - 2/159	30
F17	6/1 Wiper Motor Module (WMM)	-	30
F18	2/80 Relay, reversing light 2/89 Relay, interior lighting 4/56 Central Electronic Module (CEM) F46-F47 Fuses in the Central Electronic Module (CEM) F56-F57 Fuses in the Central Electronic Module (CEM) F79 Fuse in the Central Electronic Module (CEM) F81-F83 Fuses in the Central Electronic Module (CEM) F86 Fuse in the Central Electronic Module (CEM)	- - - 2/89 - - - 2/89	40
continues			

Fuses

Engine compartment distribution box F20-F32

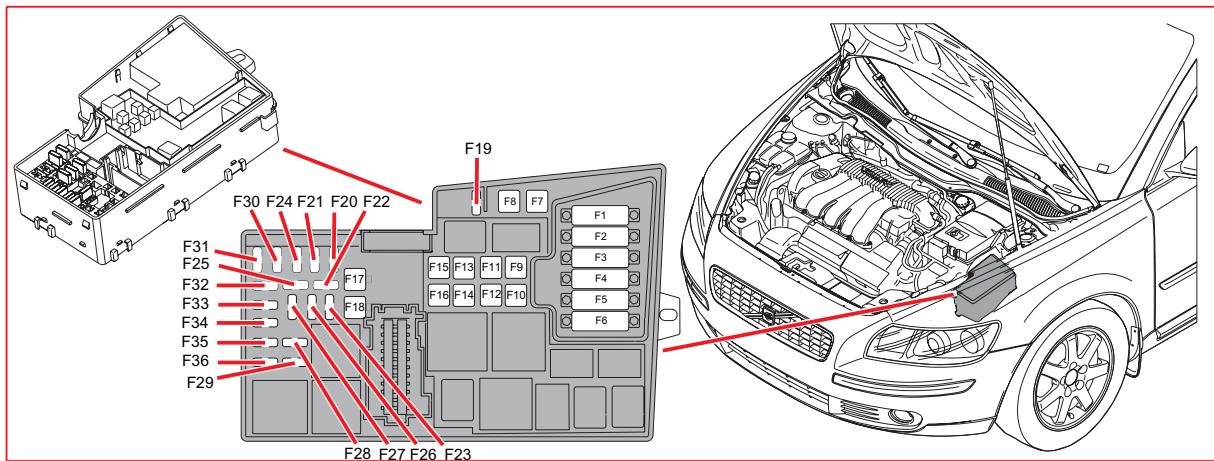


15/31 Engine compartment distribution box

No.	Fuse function	via	A
F20	2/17 Relay, horn	-	15
	16/10 Horn 1	2/17	
	16/11 Horn 2	2/17	
F21	4/7 Combustion Preheater Module (CPM)	-	20
F22	16/79 Subwoofer Module (SUB)	-	25
F23	4/28 Transmission Control Module (TCM)	-	10
	4/46 Engine Control Module (ECM) 5-cyl. 2.4	-	
F24	9/32 PTC-resistor air preheating	2/142	20
	9/38 Electrically heated fuel filter	2/142	
F26	2/35 Relay, starter motor	3/1	15
	3/1 Start Control Module (SCU)	-	
	4/56 Central Electronic Module (CEM)	3/1	
	F44 Fuse in the Central Electronic Module (CEM)	3/1	
	F51-F54 Fuses in the Central Electronic Module (CEM)	3/1	
	F73 Fuse in the Central Electronic Module (CEM)	3/1	
F27	8/3 Electromagnetic clutch, climate control system	2/22	10
F29	2/34 Relay, front fog lights	-	15
	10/5 Fog light, front left	2/34	
	10/6 Fog light, front right	2/34	
F31	6/26 Alternator, I4	-	10
F32	6/143 Control motor, turbocharger	-	10
	7/15 Front heated oxygen sensor, I4	-	
	7/17 Mass airflow sensor (MAF)	-	
	7/82 Rear heated oxygen sensor, I4	-	
	8/6-8/10 Injection valves, 5-cyl.	-	
continues			

Fuses

Engine compartment distribution box F33-FH1

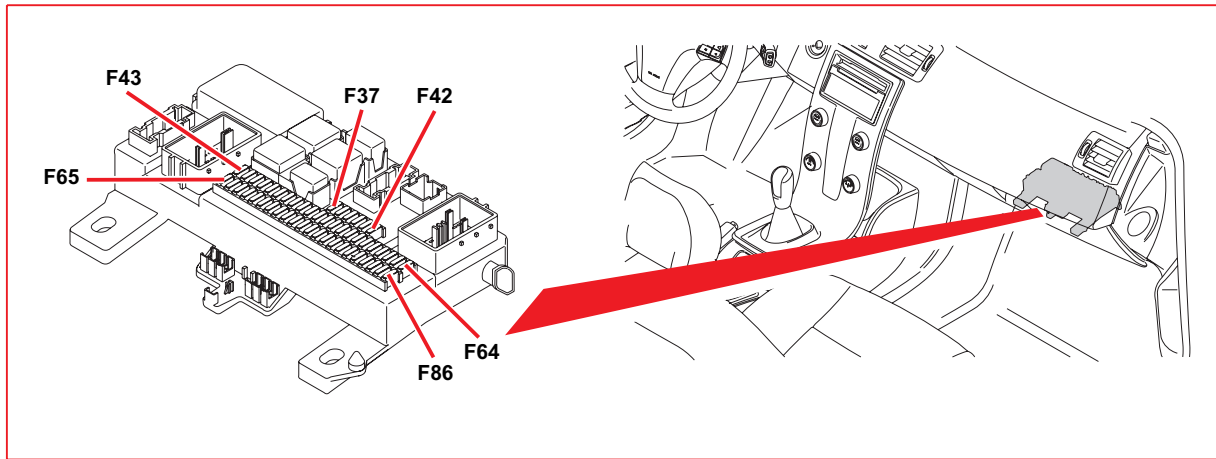


15/31 Engine compartment distribution box

No.	Fuse function	via	A
F33	6/114 Vacuum pump, 5-cyl.	8/84	20
	7/15 Front heated oxygen sensor, 5-cyl.	-	
	7/82 Rear heated oxygen sensor, 5-cyl. T	-	
	7/186 Rear heated oxygen sensor, 5-cyl. N/A	-	
	7/187 Center heated oxygen sensor, 5-cyl. N/A	-	
F34	4/109 Glow plug control module,	-	10
	8/113 Bypass valve, fuel pressure, Man	-	
	8/119 Pressure monitor, climate control system, 5-cyl.	-	
	8/120 EGR valve	-	
	20/3 -20/7 Spark plug and ignition coil	-	
F35	2/22 Relay, climate control system	-	15
	6/67 Pump, fuel leakage control	2/22	
	6/99 Engine EGR	-	
	7/17 Mass airflow sensor (MAF)	-	
	8/6-8/9 Injection valves	-	
	8/18 EVAP valve	-	
	8/19 Solenoid, variable valve timing, intake	-	
	8/28 Turbocharger control valve	-	
	8/45 Solenoid, variable valve timing, intake	-	
	8/81 Solenoid, variable valve timing outlet	-	
	8/114 Valve mixing air/fuel	-	
9/32 PTC-resistor air preheating	-		
F36	4/46 Engine Control Module (ECM), 5-cyl. 2,4l	-	10
	7/15 Heated oxygen sensor, front	-	
	7/51 Accelerator pedal sensor	-	
FH1	10/65 Auxiliary light, front right	2/64	20
	10/69 Auxiliary light, front left		

Fuses

Central Electronic Module (CEM) F43-F56

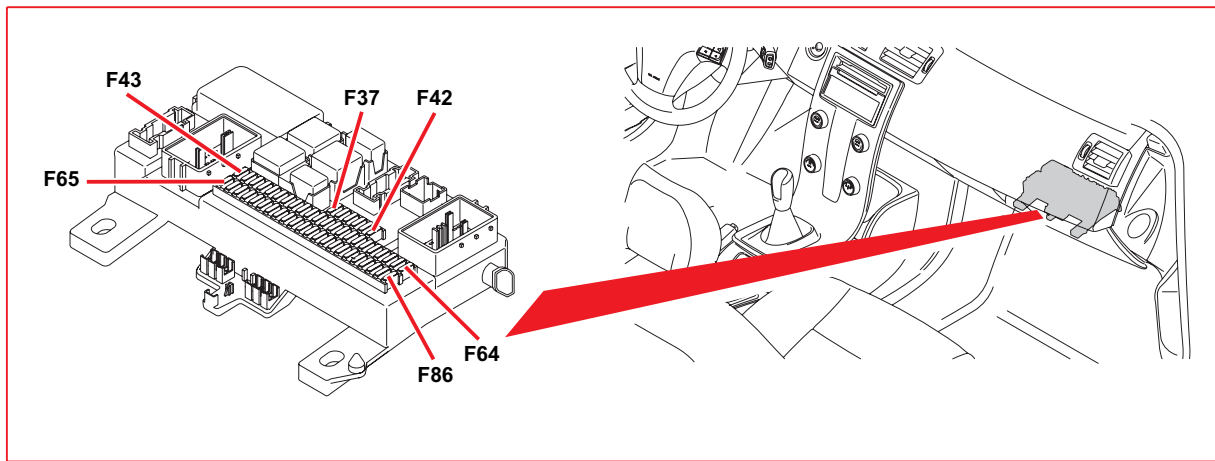


4/56 Central Electronic Module (CEM)

No.	Fuse function	via	A
F43	16/1 Integrated Audio Module (IAM) 16/46 RTI Display 16/60 Phone Module (PHM) 16/108 Multimedia Module (MMM)	- - - -	15
F44	4/9 Supplemental Restraint System Module (SRS)	-	10
F45	9/1 Front 12V outlet	-	15
F46	3/111 Light Switch Module (LSM) 5/1 Driver Information Module (DIM) 10/29 Glove compartment lighting 10/97 Courtesy lighting, left 10/102 Courtesy lighting, right	- - - - -	5
F47	10/22 Ceiling light 10/115 Vanity mirror lighting, right	- -	5
F48	2/92 Relay, windshield washer motor 6/2 Washer pump	- 2/92	15
F49	4/9 Supplemental Restraint System Module (SRS) 7/93 Occupant Weight Sensor (OWS), USA/CDN	- -	10
F51	4/86 Parking Assistance Module (PAM) 4/112 Gas Discharge Lamp Module (GDL), master, left 4/113 Gas Discharge Lamp Module (GDL), slave, right 9/41 PTC-element 10/1 Front left lamp housing, beam length adjustment 10/2 Front right lamp housing, beam length adjustment	- - - - 4/112 4/113	10
F52	4/16 Brake Control Module (BCM) 4/28 Transmission Control Module (TCM)	- -	5
F53	6/71 Electrical Power Steering Module (EPS)	-	10
F55	4/93 Keyless Vehicle Module (KVM)	-	20
F56	16/35 Siren Control Module (SCM)	-	10
continues			

Fuses

Central Electronic Module (CEM) F57-F69

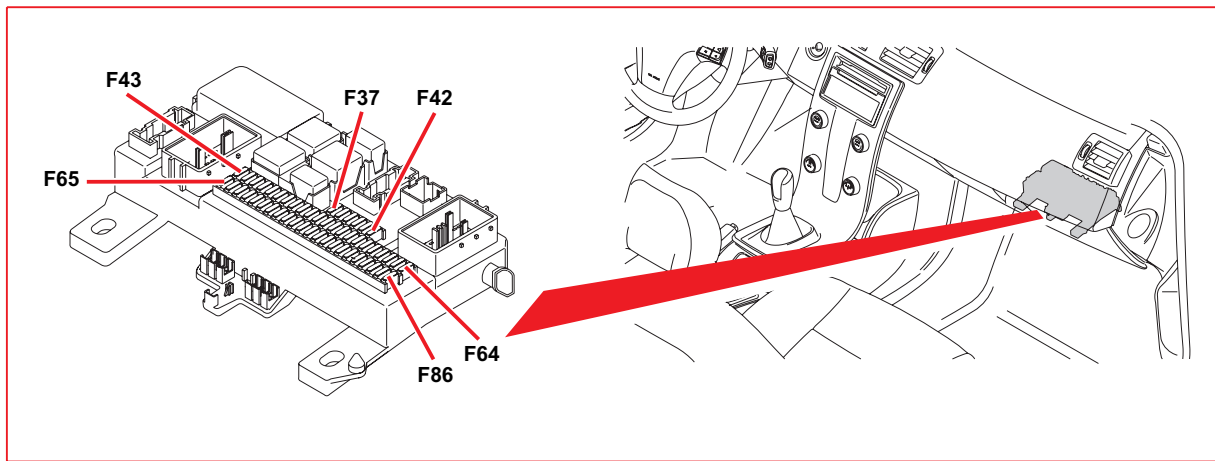


4/56 Central Electronic Module (CEM)

No.	Fuse function	via	A
F57	4/46 Engine Control Module (ECM), 5-cyl. 2,4l 4/56 Central Electronic Module (CEM) 17/13 Data link connector	3/9 3/9 -	15
F58	2/64 Relay, auxiliary lights (accessory) 4/113 Control module, gas discharge lamp slave, right 10/2 Lamp housing, front right	3/60 - -	7.5
F59	4/112 Control module, gas discharge lamp master, left 10/1 Lamp housing, front left	- -	7.5
F60	9/12 Seat Heating Module (SHM), driver's side	-	15
F61	9/13 Seat Heating Module (SHM), passenger side	-	15
F63	3/129 Right Rear Door Module (RDM)	-	20
F64	10/245 Lock indicator, left door 10/246 Lock indicator, right door 16/49 Traffic Message Channel Module (TMC) 16/139 Global Positioning System Module (GPS)	- - - -	5
F65	7/182 Remote control IR sensor, RTI 16/46 RTI Display 16/105 Audio Module (AUD) 16/150 AM/FM antenna and amplifier, right rear fender	- - - -	5
F66	3/112 Climate Control Module (CCM) 16/1 Integrated Audio Module (IAM) 16/1.2 Infotainment Control Module (ICM)	- - -	10
F68	3/254 Steering Wheel Module (SWM)	-	5
F69	6/48 Damper motor, recirculation 6/95 Damper Motor Module (DMM), temperature, left-hand side 6/96 Damper Motor Module (DMM), temperature, right-hand side 6/102 Damper Motor Module (DMM), defroster 6/103 Damper Motor Module (DMM), floor/ventilation 7/149 Rain Sensor Module (RSM) 7/159 Air quality sensor	- - - - - -	5
continues			

Fuses

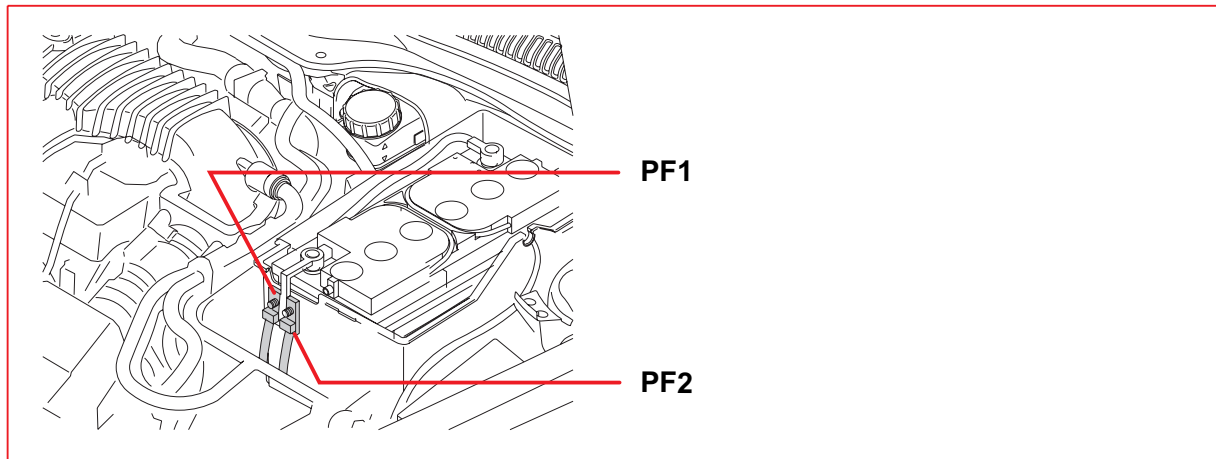
Central Electronic Module (CEM) F73-F86



4/56 Central Electronic Module (CEM)

No.	Fuse function	via	A	
F73	3/217	Belt buckle contact, left rear	-	5
	3/219	Belt buckle contact, right rear	-	
	8/48	Auto-dimming rearview mirror	-	
	10/22	Ceiling light	-	
F74	4/83	Fuel pump control module, gasoline	2/23	15
	6/33	Fuel pump	4/83	
F77	17/19	12V outlet, cargo compartment	-	15
	4/78	Accessory Electronic Module (AEM)	-	
F79	8/48	Auto-dimming rearview mirror	-	5
	10/48	Reversing light, right	-	
	10/55	Reversing light, left	-	
F80	-	-	-	5
F81	3/128	Left Rear Door Module (LDM)	-	20
F82	3/127	Passenger Door Module (PDM)	-	25
F83	3/126	Driver Door Module (DDM)	-	25
F84	3/27	Switch unit, power passenger seat	-	25
	4/52	Power Seat Module (PSM), passenger seat	-	
F85	3/26	Switch unit, power driver's seat	-	25
	4/52	Power Seat Module (PSM), driver's seat	-	
F86	3/26	Switch unit, power driver's seat	-	5
	3/27	Switch unit, power passenger seat	-	
	3/268	Switch, loading assistance	-	
	4/52	Power Seat Module (PSM)	-	
	10/24	Cargo compartment lighting	-	
	10/26	Reading light, rear left	-	
	10/27	Reading light, rear right	-	
	10/114	Vanity mirror lighting, left	-	
	26/5	DC/AC converter, fuel tank	2/23	

Fuses Battery PF1-PF2

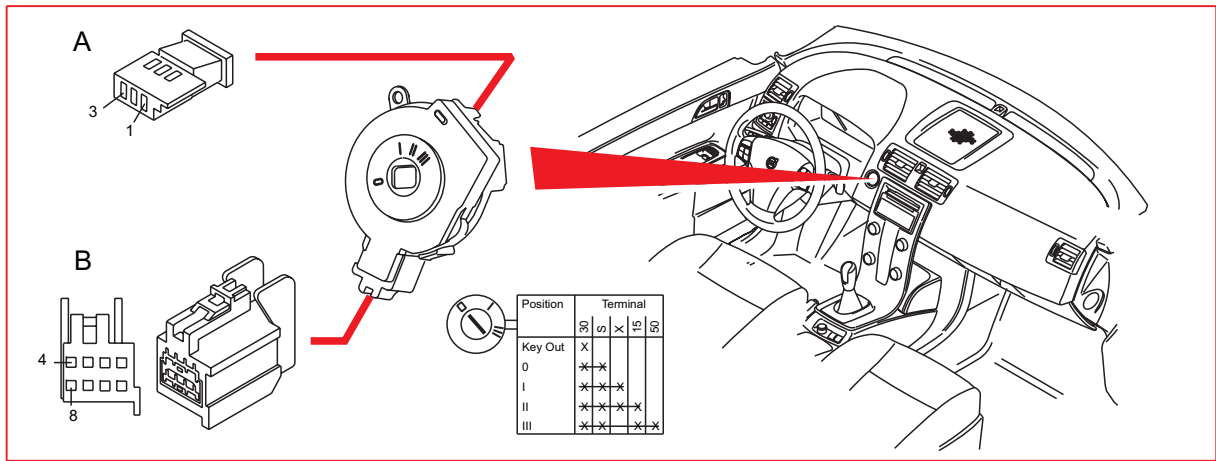


1/1 Battery

No.	Fuse function	via	A
PF1	6/25 Starter motor	-	150
	6/26 Alternator	-	
PF2	F1-F14 Fuses in the engine compartment distribution box	-	150
	F16-F18 Fuses in the engine compartment distribution box	-	
	F20-F21 Fuses in the engine compartment distribution box	-	
	F23-F24 Fuses in the engine compartment distribution box	-	
	F26-F27 Fuses in the engine compartment distribution box	-	
	F29-F31 Fuses in the engine compartment distribution box	-	

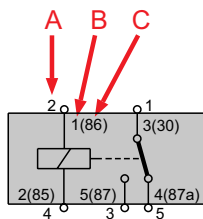
Relays

Ignition switch and relays



Relays, general

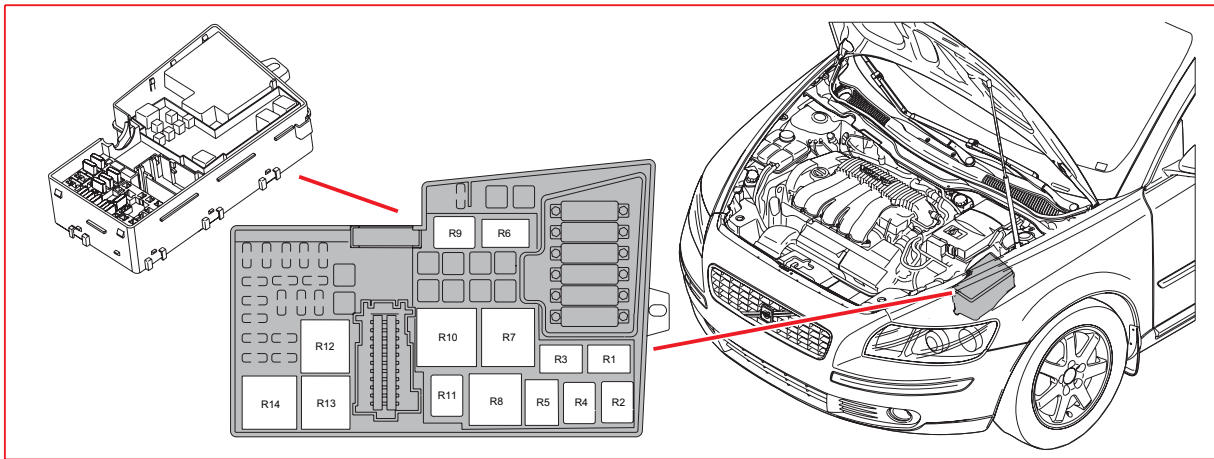
The diagram indicates two or three different designations for the relay's position. This is described below.



- A = Corresponds to the position on the back of the relay box (wiring side)
- B = Corresponds to the position on the relay
- C = An old designation that may be found on the relay

Relays

Distribution box in engine compartment R1-R14

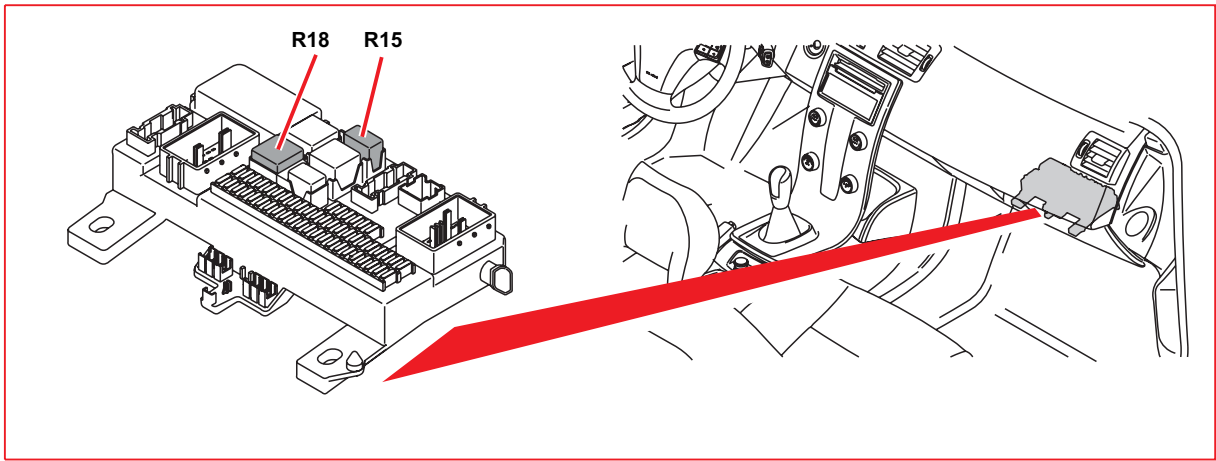


15/31 Engine compartment distribution box

Pos	Relay function
R2	2/17 Relay, horn
R4	2/34 Relay, front fog lights
R5	2/142 Relay, preheater, fuel filter
R9	2/182 Relay, headlight washer motor
R10	2/82 Relay, heated rear window
R11	2/22 Relay, climate control system
R13	2/35 Relay, starter motor
R14	2/32 Main relay, engine management system

Relays

Central Electronic Module (CEM) R15-R18



4/56 Central Electronic Module (CEM)

Pos	Relay function
R15	2/23 Relay, fuel pump
R18	2/193 Relay, comfort functions