

Volvo C30 S40 V50 C70 2008 Wiring Diagram

Full download: <http://manualplace.com/download/volvo-c30-s40-v50-c70-2008-wiring-diagram/>

VOLVO C30, S40, V50 & C70

WIRING DIAGRAM 2008



TP 39114202

Vehicles with SRS (Airbag)/SIPS bag/ IC (Inflatable Curtain)

Warning!

Extra caution must be exercised when working on vehicles equipped with SRS/SIPS bag/IC in order to avoid:

1. Personal injuries when performing repair work.
2. Damage or malfunction of the SRS/SIPS bag/IC system.

Work involving the SRS/SIPS bag/IC systems or other components in the vehicle that may affect the SRS/SIPS bag/IC systems must always be performed by an authorized Volvo workshop.

In case of doubt, consult the SRS and SIPS bag/IC service manual.

Is the vehicle equipped with SRS/SIPS bag/IC?

Vehicles with SRS are most easily recognized by the letters SRS in the center of the steering wheel. If the vehicle also has a passenger side airbag, the letters SRS are stamped on the dashboard above the glove compartment. SRS vehicles from 1993 and onward also have explosive seat belt tensioners. SIPS bags are only installed on SRS vehicles from 1995 and onward. SIPS bag decals are located on the windshield and seat compartment. Vehicles with IC can be recognized by the letters IC on the C/D panel (4 door) or the B panel (5 door).

General recommendations

- Be especially careful when working on or around SRS, SIPS, and IC components.
- Make sure that no wires are pinched, frayed, or pierced.
- Never install accessories by the sensors.
- Where applicable, work on the steering wheel, steering shaft, or steering gear must be done in accordance with the methods in the SRS section of VIDA.
- Certain components of the aforementioned systems must be grounded while working. Read the appropriate sections in VIDA.
- Install no accessories in the areas between the A and B posts, the B and C posts, and the C and D posts.

Test terminal

Data link connector in the passenger compartment.

Changes introduced up to and including April 2007

Any changes made to the vehicles after this date are not included in the manual. If necessary refer to service bulletins.

Volvo models are sold in versions adapted for different markets. These adaptations depend on factors such as legal requirements, taxation, and market demands.

This manual may therefore include illustrations and text that do not apply to the vehicles in your country.

Order number: 39114202

Replaces previous publication 39114201 of Electronic Wiring Diagram (EWD) TP 39118001. Can also be found on Electronic Wiring Diagram (EWD) TP 39120002

We retain the right to make modifications.

Table of Contents 1:3

Vehicles with SRS (Airbag)/SIPS bag/	
IC (Inflatable Curtain).....	2
Abbreviations.....	7
How to use the wiring diagrams 1:2.....	8
Electrical distribution 1:2.....	10

Fuses

Engine compartment distribution box F1-F10.....	12
Engine compartment distribution box F11-F18.....	13
Engine compartment distribution box F20-F31.....	14
Engine compartment distribution box F32-F34.....	15
Engine compartment distribution box F35-FH1.....	16
Central Electronic Module (CEM) F43-F48.....	17
Central Electronic Module (CEM) F49-F61.....	18
Central Electronic Module (CEM) F62-F69.....	19
Central Electronic Module (CEM) F73-F85.....	20
Central Electronic Module (CEM) F86.....	21
Battery PF1-PF2.....	22
Fuses in holder.....	23

Relays

Ignition switch and relays.....	24
Engine compartment distribution box R2-R14.....	25
Central Electronic Module (CEM) R15-R18.....	26
Central Electronic Module (CEM) R1 - R11B.....	27
Other relays.....	28

Ground connections

Overview.....	29
31/3 - 31/10 cont.....	30
31/10 - 31/12.....	31
31/52 - 31/66.....	32
31/67 - 31/88.....	33
31/89 - 31/115.....	34
31/116 - Ground connections in chassis.....	35

Control modules

Overview of locations.....	36
Overview of designations.....	37
Central Electronic Module (CEM) 1:2.....	38
Data communication Low speed CAN 1:2.....	40
Data communication, High speed CAN.....	42
Data communication MOST.....	43
Data communication, LIN 1:2.....	44
Start Control Module (SCU).....	46
Accessory Electronic Module (AEM).....	47

Group 23 Fuel system

Engine management system 4-cyl. 1.6l 1:2.....	48
---	----

Engine management system, 4-cyl. 1.8l & 2.0l 1:2.....	50
Engine management system, 5-cyl. 1:2.....	52
Engine management system, 5-cyl. Turbo 1:2.....	54
Engine management system Diesel 4-cyl. 1.6l 1:2.....	56
Engine management system Diesel, 4-cyl. 2.0l 1:2.....	58
Engine management system Diesel, 5-cyl. 2.4l 1:3.....	60
Emission control 4-cyl 1.6l.....	63
Emission control 4-cyl 1.8l & 2.0l.....	64
Emission control 5-cyl.....	65
Emission control, 5-cyl Turbo.....	66

Group 26 Cooling system

Cooling fan.....	67
------------------	----

Group 27 Engine controls

Cruise control, 4-cyl.....	68
Cruise control, 5-cyl.....	69

Group 32 Alternator and voltage regulator

Power supply, 4-cyl.....	70
Power supply, 5-cyl.....	71

Group 33 Starting system

Starting system 4-cyl.....	72
Starting system 5-cyl.....	73

Group 35 Lighting

High and low beam.....	74
Active headlight, Bi-Xenon S40/V50.....	75
Bi-Xenon C30/C70.....	76
Running/Parking lights, Tail lights, S40/V50.....	77
Running/Parking lights, Tail lights (Bi-Xenon) S40/V50.....	78
Running/Parking lights, Tail lights C30/C70.....	79
Running/Parking lights, Tail lights (Bi-Xenon) C30/C70.....	80
Brake lights S40/V50.....	81
Brake lights C30/C70.....	82
Reversing lights S40/V50.....	83
Reversing lights C30/C70.....	84
Fog lights S40/V50.....	85
Fog lights C30/C70.....	86
Fog lights LHD Japan S40/V50.....	87
Fog lights LHD Japan C30/C70.....	88
Follow-me-home lighting.....	89
Interior lighting C30/S40/V50 1:2.....	90
Interior lighting C70 1:2.....	92
Instrument and control illumination.....	94
Auxiliary lights.....	95

Table of Contents 2:3

Group 36 Additional electrical equipment

Direction indicators and hazard warning flashers S40/V50	96
Direction indicators and hazard warning flashers (Bi-Xenon) S40/V50	97
Direction indicators and hazard warning flashers C30/C70	98
Direction indicators and hazard warning flashers (Bi-Xenon) C30/C70	99
Windshield wiper/washer	100
Headlight washer	101
Rear window wiper/washer C30/V50	102
Rain sensor	103
Keyless vehicle C30/S40/V50 1:2	104
Keyless vehicle C70 1:2	106
Rear parking assistance	108
Front parking assistance	109
Immobilizer/Steering column lock module (SCL)	110
Horn	111
Anti-theft alarm C30	112
Anti-theft alarm S40/V50	113
Anti-theft alarm C70	114
Alcolock	115
Accessory Electronic Module (AEM)	116

Group 37 Wiring and fuses

12V outlet C30/S40/V50	117
12V outlet C70	118
Diagnostics system	119
Tow hitch cable harness, 4-pin S40/V50	120
Tow hitch cable harness, 4-pin C30/C70	121
Tow hitch cable harness, 7-pin S40/V50	122
Tow hitch cable harness, 7-pin C30/C70	123
Tow hitch cable harness, 13-pin S40/V50/C70	124
Tow hitch cable harness, 13-pin C30	125
USB unit (AUU)	126

Group 38 Instruments

Driver information module	127
Seat belt reminder S40/V50	128
Seat belt reminder C30/C70	129

Group 39 Other

Audio C30/S40/V50	130
Audio C70	131
Audio High Performance/Premium Sound C30/S40/V50 1:2	132
Audio High Performance/Premium Sound C70 1:2 ...	134

Cellular phone 1:2	136
Multimedia & Traffic information	138
Satellite radio	139
Handsfree Universal, Audio	140
Handsfree Universal, Audio High Performance/Premium Sound	141
Handsfree Max with Adapter	142
Handsfree Max	143
Subwoofer	144
Navigation system, portable	145

Group 43 Transmission

Automatic transmission AW55-51	146
Transmission M66	147
Differential Electronic Module (DEM), S40/V50	148

Group 59 Brake system

Brake control system & STC	149
Brake control system & DSTC	150

Group 64 Steering

Electronic power steering	151
---------------------------------	-----

Group 83 Doors and openings

Central locking, front doors C30/S40/V50	152
Central locking, rear doors S40/V50	153
Central locking system C70	154
Central locking, trunk lid/tailgate C30	155
Central locking, trunk lid/tailgate S40/V50	156
Central locking, trunk lid/tailgate C70	157
Central locking, storage compartment C70	158
Child safety lock S40/V50	159
Central locking, fuel filler flap	160
Signal receiver, central locking C30/S40/V50	161
Signal receiver, central locking C70	162
Power windows, front doors C30/S40/V50	163
Power windows, front doors C70	164
Power windows, rear doors S40/V50	165
Power sunroof C30/S40/V50	166
Power roof C70	167

Group 84 Exterior decorative elements, etc.

Power door mirrors C30/S40/V50	168
Power door mirrors C70	169
Heated door mirrors	170
Heated rear window	171
Blind Spot Information System	172

Table of Contents 3:3

Group 85 Interior equipment

Power driver's seat with memory function, LHD S40/V50	173
Power driver's seat with memory function, RHD S40/V50	174
Power driver's seat with memory function, LHD C30/C70	175
Power driver's seat with memory function, RHD C30/C70.....	176
Power passenger seat with memory function, LHD C30/C70	177
Power passenger seat with memory function, RHD C30/C70.....	178
Power driver's seat LHD S40/V50	179
Power driver's seat RHD S40/V50.....	180
Power passenger seat LHD S40/V50.....	181
Power passenger seat RHD S40/V50	182
Heated seats.....	183

Group 87 Climate control system

Climate control system 4-cyl, Gasoline 1:2.....	184
Climate control system Diesel 1.6l & 2.0l 1:2	186
Climate control system, 5-cyl. 1:2.....	188
Climate control system PTC element	190
Parking heater, auxiliary heater	191
Relay, electric engine heater	192
Electric engine heater Flexifuel.....	193

Group 88 Internal equipment

Supplemental Restraint System (SRS) C30/S40/V50 1:2	194
Supplemental Restraint System (SRS) C70 1:2	196
Auto-dimming rearview mirror.....	198

Connectors 199

Branching points.....241

Cable harness routing in vehicle

Engine harness, gasoline 4-cyl 1.6	252
Engine harness, gasoline 4-cyl 1.8	252
Engine harness, gasoline 5-cyl.....	253
Engine harness, Gasoline 5-cyl Turbo.....	253

Engine harness, Diesel 1.6l	254
Engine harness, Diesel 2.0l	254
Engine harness, Diesel 2.4l	255
Engine compartment harness, 4-cyl.	256
Engine compartment harness, 5-cyl.	256
Dashboard harness, LHD	257
Dashboard harness, RHD	257
Floor harness, C30 LHD	258
Floor harness, C30 RHD.....	259
Floor harness, S40 LHD	260
Floor harness, S40 RHD.....	261
Floor harness, V50 LHD	262
Floor harness, V50 RHD.....	263
Floor harness, C70 LHD	264
Floor harness, C70 RHD.....	265
Roof harness, C30	266
Roof harness, S40	266
Roof harness, V50	267
Roof harness, C70.....	267
Tunnel harness, C30/S40/V50.....	268
Tunnel harness, C70	268
Driver's door harness, C30	269
Passenger door harness, C30	269
Driver's door harness, S40/V50	270
Passenger door harness, S40/V50.....	270
Driver's door harness, C70	271
Passenger door harness addition, C70.....	271
Passenger door harness, C70	272
Passenger door harness addition, C70.....	272
Rear right door harness, S40/V50	273
Left rear door harness, S40/V50.....	273
Rear side panel harness, left C70.....	274
Harness, rear side panel, right C70	274
trunk lid/tailgate harness, C30	275
Trunk lid/tailgate harness, S40	275
trunk lid/tailgate harness, V50.....	276
Trunk lid/tailgate harness, C70	276

Component illustrations277

Index 1:2 333

List of components 1:6 335

Explanations

Abbreviations

Groups

Group 23	= Fuel system
Group 26	= Cooling system
Group 27	= Engine controls
Group 32	= Alternator and voltage regulator
Group 33	= Starting system
Group 35	= Lighting
Group 36	= Additional electrical equipment
Group 37	= Wiring and fuses
Group 38	= Instruments
Group 39	= Other
Group 43	= Transmission
Group 59	= Brake system
Group 64	= Steering
Group 83	= Doors and openings
Group 84	= Exterior decorative elements, etc.
Group 85	= Interior equipment
Group 87	= Climate control system
Group 88	= Internal equipment

Ignition switch symbols

X	= Accessories (audio position)
S	= Powered upon insertion of key
15	= Contact remains connected during start
15I	= Contact is broken while starting
30	= Constant power from the battery
50	= Start

Countries/Markets

A	= Austria
AUS	= Australia
B	= Belgium
CDN	= Canada
CH	= Switzerland
D	= Germany
DK	= Denmark
E	= Spain
EU/OS	= Markets outside USA and Canada
FIN	= Finland
GB	= Great Britain
ISR	= Israel
J	= Japan
KOR	= Korea
N	= Norway
NL	= Netherlands
S	= Sweden
USA	= United States of America
WEU	= Western Europe

Other

AUTO	= Automatic transmission
AWD	= All wheel drive
CAN	= CAN communication
D	= Diesel
DPY	= Display
ECC	= Electronic climate control system
ETA	= Engine throttle body
EXT. X	= Extended X-feed
GDL	= Gas discharge lamp
HISPEED	= High speed data bus
IR	= Infrared sensor
LIN	= LIN communication
LHD	= Left-hand drive
LOSPEED	= Low speed data bus
MAN	= Manual transmission
MEMORY	= Memory driver's seat
MMS	= Mass Movement Sensor
PETROL	= Gasoline
RHD	= Right-hand drive
SCR	= Screened
SRS	= Airbag
T	= Turbocharged engine
W/O	= Without
2WD	= Two-wheel drive
4CYL, I4	= 4-cylinder engine
5CYL, I5	= 5-cylinder engine

Colors

BK, SB	= Black
BN	= Brown
BU, BL	= Blue
GN	= Green
GY, GR	= Gray
LGN	= Light Green
OG, OR	= Orange
PK, P	= Pink
RD, R	= Red
VT, VO	= Violet
WH, W	= White
YE, Y	= Yellow

How to use the wiring diagrams 1:2

The descriptions below apply in general to all wiring diagram manuals, although not all sections are necessarily contained in this manual.

A. Component designation

Every component has a component designation that consists of two parts.

The first part is a type number that describes the type of component in question, e.g. 3/xx.

The second part of the designation is a serial number, e.g. x/2.

Together, this constitutes a component designation, e.g. 3/2.

At the end of the manual is a list of components, where, with the help of the component designation, you can read off the name of the component, e.g. 3/2 = light switch.

List of type numbers

The list shows which type of component that respective type numbers refer to, e.g. 3/x = switch, 6/x = electric motor, etc.

1	Battery
2	Relay
3	Switch
4	Control module
5	Driver information module
6	Electric motor
7	Sensor
8	Actuator
9	Heating element
10	Light
11	Fuse
15	Electrical distribution rail/box
16	Audio
17	Service/diagnostics
18	Contact reel
19	Meter
20	Ignition component/shunt
27	Optics
31	Ground connection
63	Branching point
64	Connector

B. Branching points

The wiring diagrams contain numbered junction points, e.g. 63/352.

This manual contains a section with a list of branching points. This list shows all the components that are connected to each branching point.

The location of the branching points is shown in the "Cable harness routing in vehicle" section.

C. Connectors

Connectors provide a bridge between two cable harnesses and are described in the "Connectors" section.

D. Electrical distribution

Operation of the fuses and relays is shown in the "Electrical distribution" section.

E. Data communication

Today's cars contain CAN and MOST networks that transfer information. Connections to these networks are not shown in their entirety in the respective wiring diagram. Complete information on CAN and MOST communication is found in the section "Control modules".

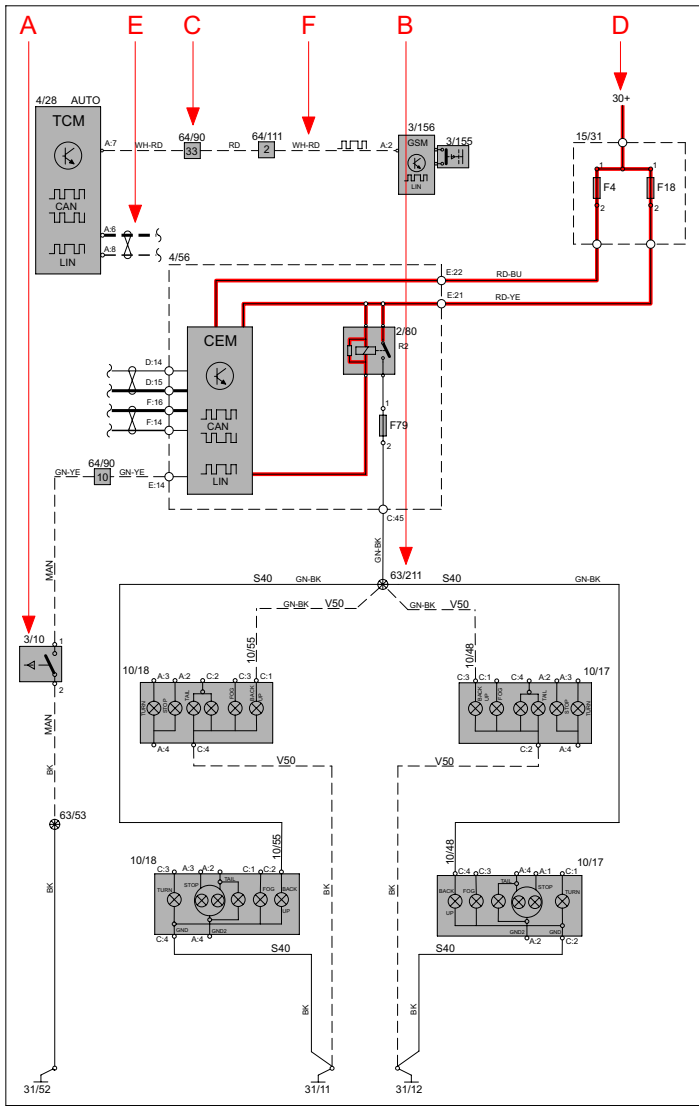
F. Abbreviations

A number of different abbreviations are used in the manual. These are explained in the section "Abbreviations".


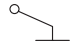

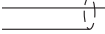


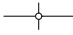
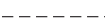










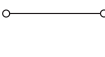


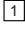
G. Component location

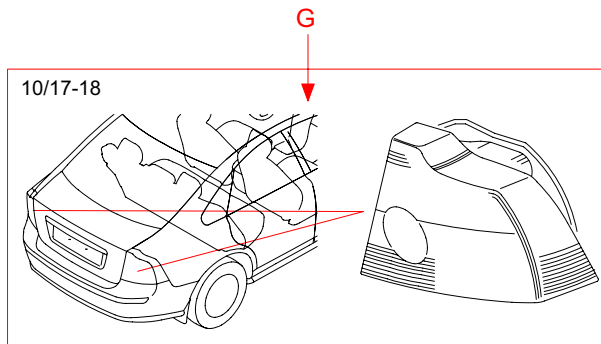
There is a section at the end of the manual in which the appearance and location of components is described in numerical order.

How to use the wiring diagrams 2:2

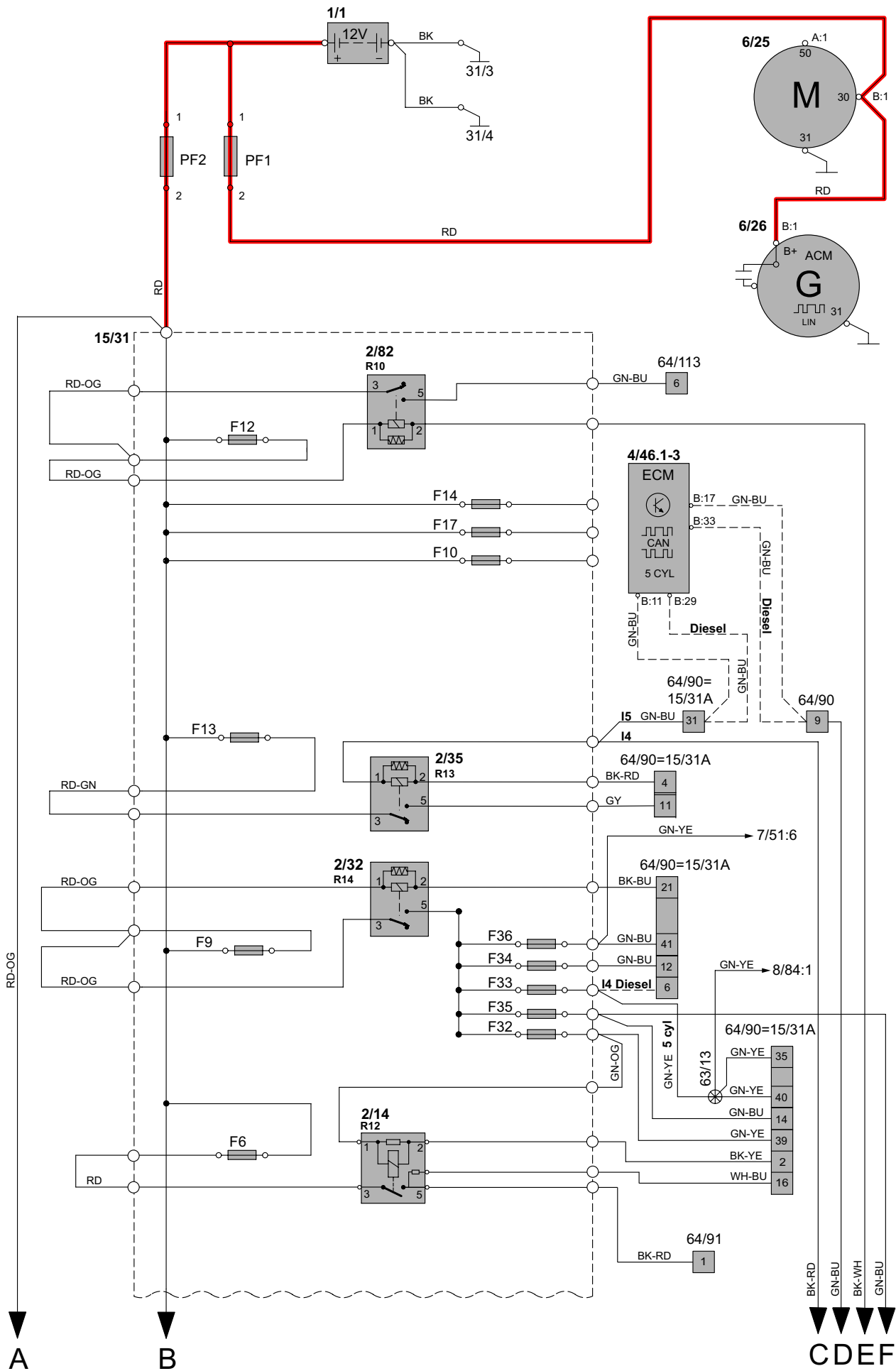


Explanation of symbols

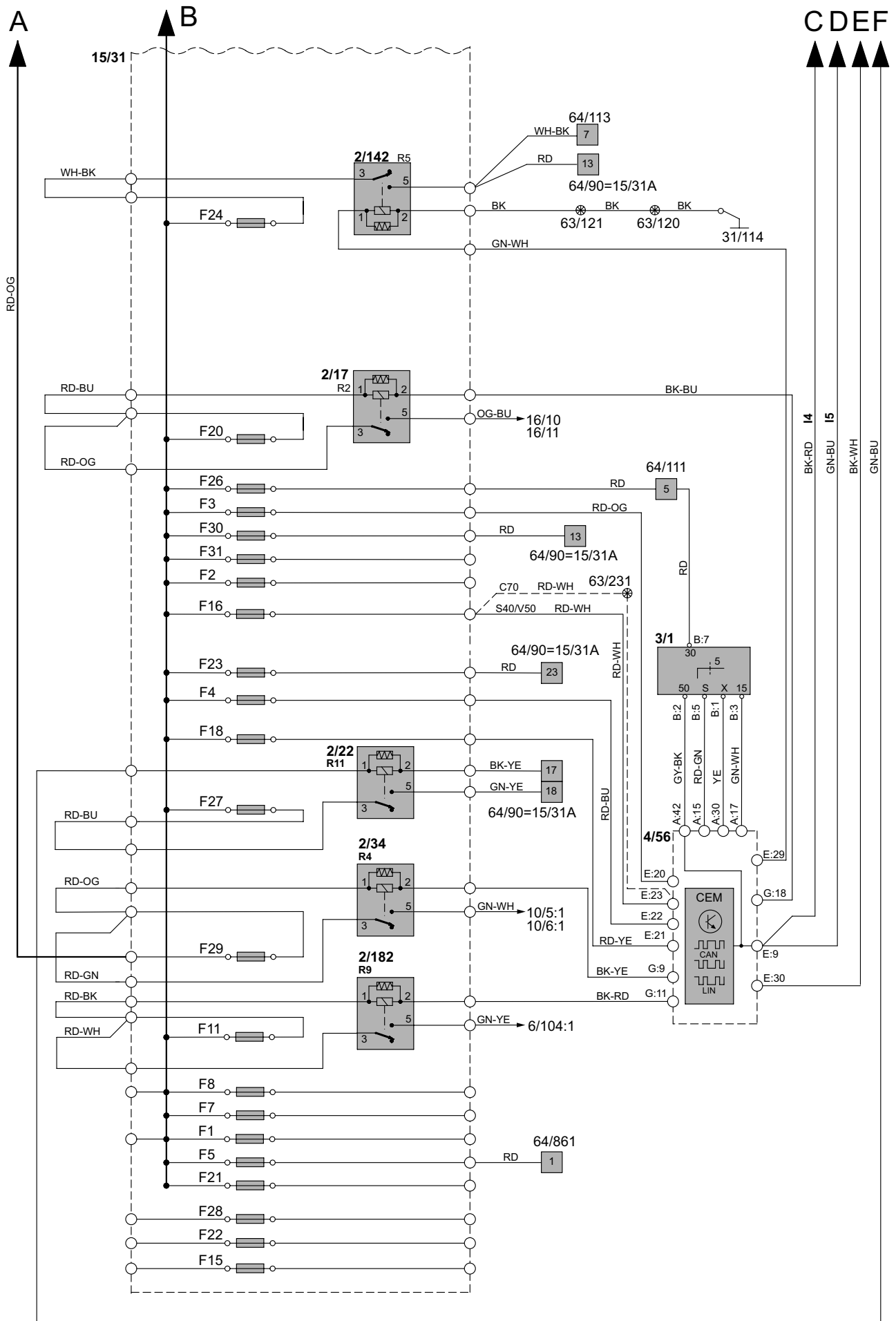
-  = System voltage
-  = Ground connection via wiring
-  = Ground connection in component/chassis
-  = Screened wire
-  = Junction point
-  = Twisted cable
-  = Electrical connection
-  = Variant
-  = CAN communication
-  = CAN high data signal (CAN H)
-  = CAN low data signal (CAN L)
-  = LIN communication
-  = LIN communication
-  = DIN cable, coaxial cable, etc.
-  = Data communication
-  = CAN communication
-  = MOST communication
-  = MOST communication
-  = Connection with distribution box
-  = Further connection to...
-  = Connector between cable harnesses
-  = Connector connected in component



Electrical distribution 1:2 Overview

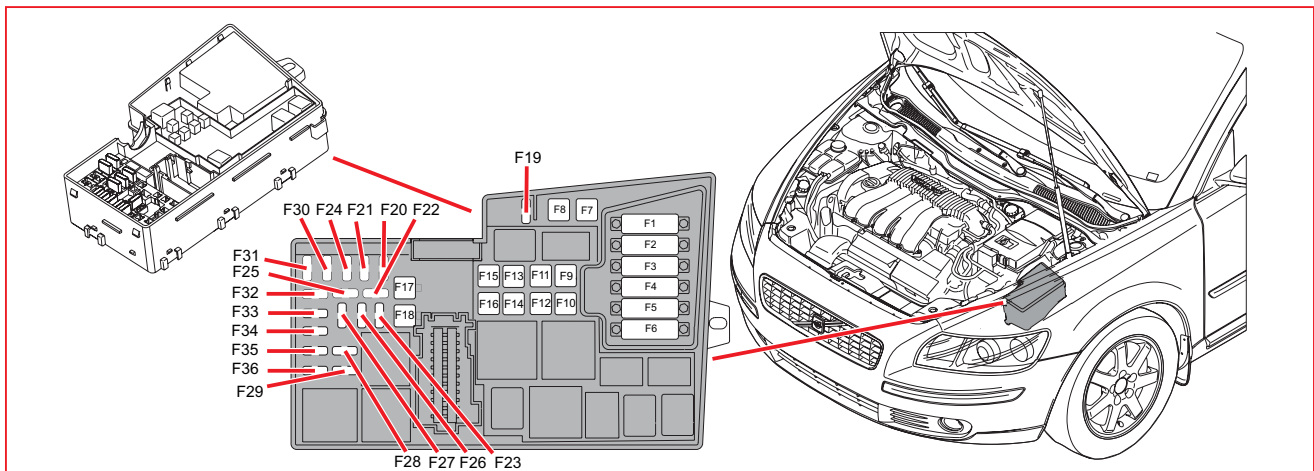


Electrical distribution 2:2 Overview



Fuses

Engine compartment distribution box F1-F10

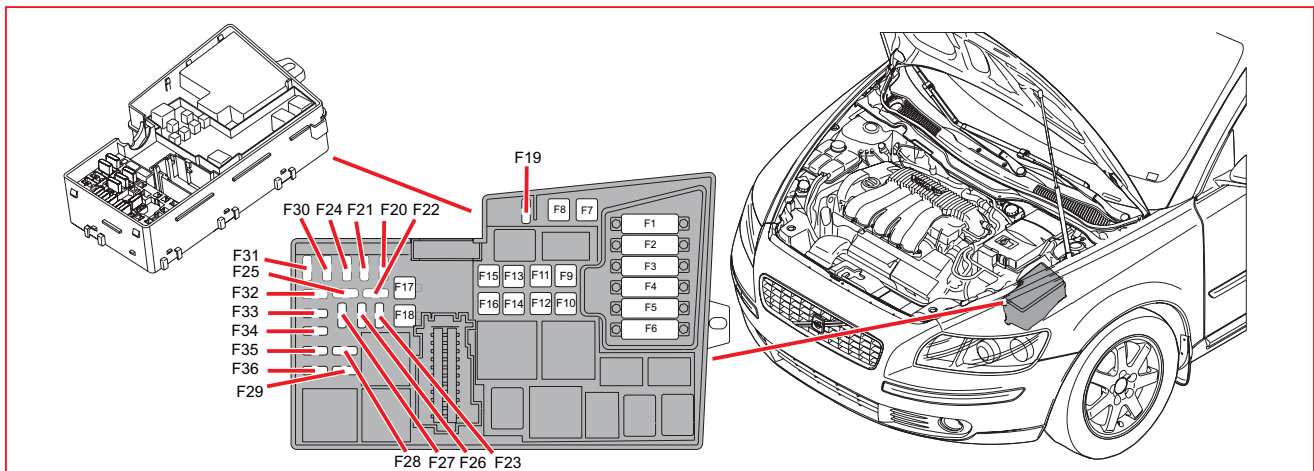


15/31 Engine compartment distribution box

No.	Fuse function	via	A
F1	4/71 Cooling fan control module	-	50
F2	6/71 Electrical Power Steering Module (EPS)	-	80
F3	2/193 Relay, comfort functions	-	60
	4/56 Central Electronic Module (CEM)	2/193	
	F45 Fuse in the Central Electronic Module (CEM)	2/193	
	F48-F49 Fuses in the Central Electronic Module (CEM)	2/193	
	F60-F61 Fuses in the Central Electronic Module (CEM)	2/193	
	F62-F63 Fuses in the Central Electronic Module (CEM)	-	
	F68-F69 Fuses in the Central Electronic Module (CEM)	2/193	
	F80 Fuse in the Central Electronic Module (CEM)	2/193	
	F84-F85 Fuses in the Central Electronic Module (CEM)	-	
F4	2/63 Relay, high beam	-	60
	4/56 Central Electronic Module (CEM)	-	
	F55 Fuses in the Central Electronic Module (CEM)	-	
	F58-F59 Fuses in the Central Electronic Module (CEM)	2/63	
	F74 Fuses in the Central Electronic Module (CEM)	-	
	F77 Fuses in the Central Electronic Module (CEM)	-	
F5	9/41 PTC-element	-	80
F6	4/109 Glow plug control module (GCU), 5-cyl. Diesel	-	70
	20/23-26 Glow plug, 4-cyl. Diesel	2/14	60
F7	4/16 Brake Control Module (BCM), pump	-	30
F8	4/16 Brake Control Module (BCM), valves	-	20
F9	2/32 Main relay, engine management system	-	30
	F32-F36 Fuses in the engine compartment distribution box	2/32	
F10	4/31 Fan control module	-	40
continues			

Fuses

Engine compartment distribution box F11-F18



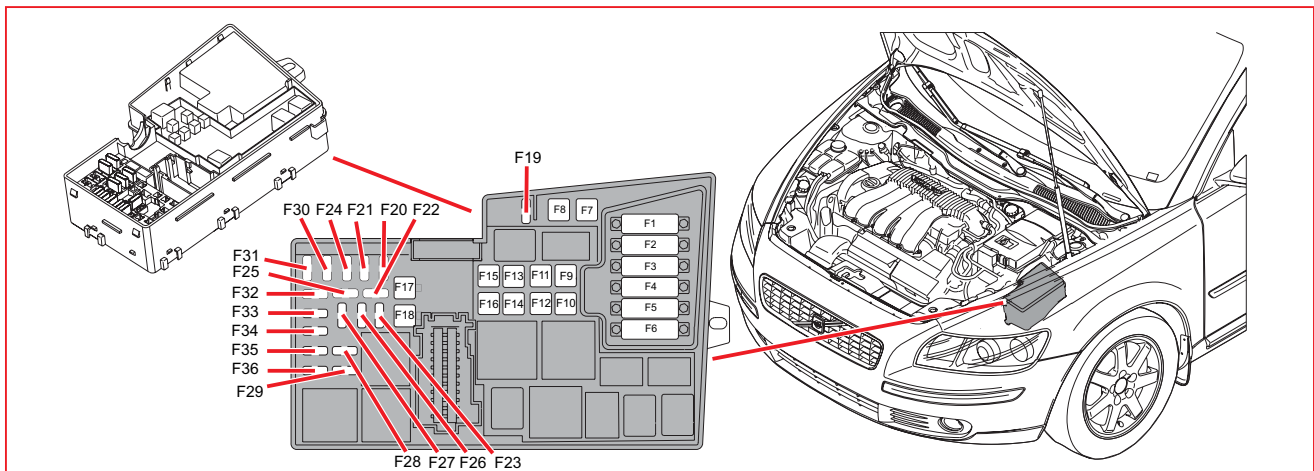
15/31 Engine compartment distribution box

No.	Fuse function	via	A
F11	2/182 Relay, headlight washer motor 4/59 Convertible Roof Module (CRM), C70 6/104 Pump, high pressure headlight washer	- - 2/182	20
F12	2/82 Relay, heated rear window 9/2 Heated rear window	- 2/82, 16/141	30
F13	6/25 Starter motor	2/35	30
F14	4/110 Trailer Module (TRM)	-	40
F15	4/59 Convertible Roof Module (CRM), C70	-	30
F16	2/159 Infotainment relay, S40/V50/C30 16/105 Audio module (AUD), S40/V50/C30 F22 Fuse, engine compartment distribution box, S40/V50/C30 F43 Fuse in the Central Electronic Module (CEM), S40/V50/C30 F64 Fuse in the Central Electronic Module (CEM), S40/V50/C30 F65-F67 Fuses in the Central Electronic Module (CEM), S40/V50/C30	- - - - - 2/159	30
F16	2/159 Infotainment relay, C70 16/105 Audio module (AUD), C70 F22 Fuse, engine compartment distribution box, C70 F43 Fuse in the Central Electronic Module (CEM), C70 F64 Fuse in the Central Electronic Module (CEM), C70 F65-F67 Fuses in the Central Electronic Module (CEM), C70	- - - - - 2/159	40
F17	6/1 Wiper Motor Module (WMM)	-	30
F18	2/80 Relay, reversing light 2/89 Relay, interior lighting 4/56 Central Electronic Module (CEM) F46-F47 Fuses in the Central Electronic Module (CEM) F56-F57 Fuses in the Central Electronic Module (CEM) F79 Fuse in the Central Electronic Module (CEM) F81-F83 Fuses in the Central Electronic Module (CEM) F86 Fuse in the Central Electronic Module (CEM)	- - - 2/89 - 2/80 - 2/89	40

continues

Fuses

Engine compartment distribution box F20-F31

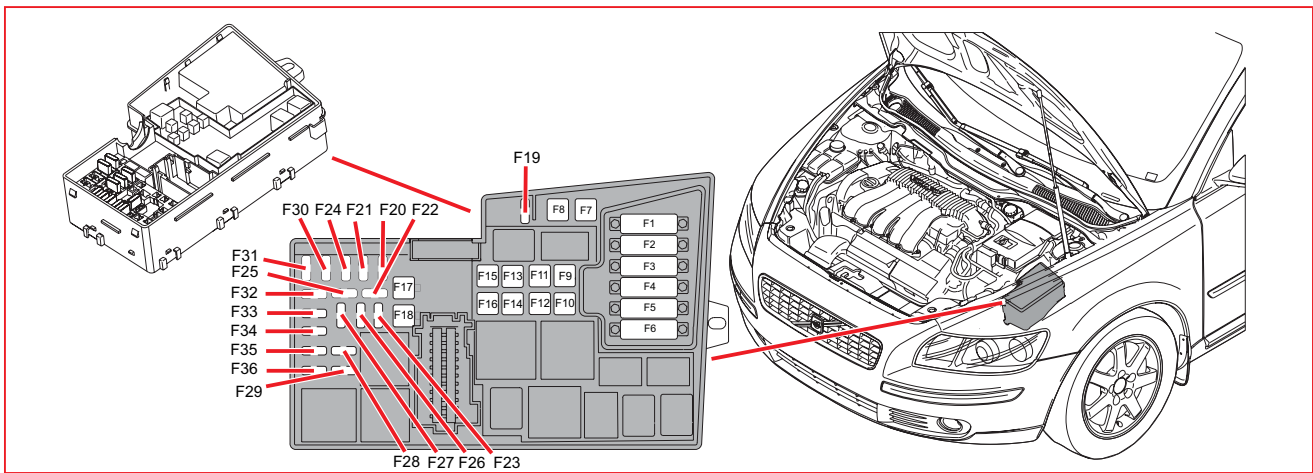


15/31 Engine compartment distribution box

No.	Fuse function	via	A
F20	2/17 Relay, horn	-	15
	16/10 Horn 1	2/17	
	16/11 Horn 2	2/17	
F21	4/7 Combustion Preheater Module (CPM)	-	20
F22	16/79 Subwoofer Module (SUB)	-	25
F23	4/28 Transmission Control Module (TCM)	-	10
	4/46 Engine Control Module (ECM), 5-cyl.	-	
F24	9/32 PTC-resistor, crankcase ventilation, 5-cyl. Diesel	2/142	20
	9/38 Heated fuel filter, 5-cyl. Diesel	2/142	
F26	2/35 Relay, starter motor	3/1	15
	3/1 Start Control Module (SCU)	-	
	4/56 Central Electronic Module (CEM)	3/1	
	11K/1 Fuse in holder	3/1	
	11K/2 Fuse in holder	-	
	F44 Fuse in the Central Electronic Module (CEM)	3/1	
	F51-F54 Fuses in the Central Electronic Module (CEM)	3/1	
	F73 Fuse in the Central Electronic Module (CEM)	3/1	
F27	8/3 Electromagnetic clutch, climate control system	2/22	10
F29	2/34 Relay, front fog lights	-	15
	10/5 Fog light, front left	2/34	
	10/6 Fog light, front right	2/34	
F30	4/46 Engine Control Module (ECM), 2.0l Diesel, 1.6l Gasoline	-	3
F31	6/26 Alternator, 4-cyl.	-	10
continues			

Fuses

Engine compartment distribution box F32-F34

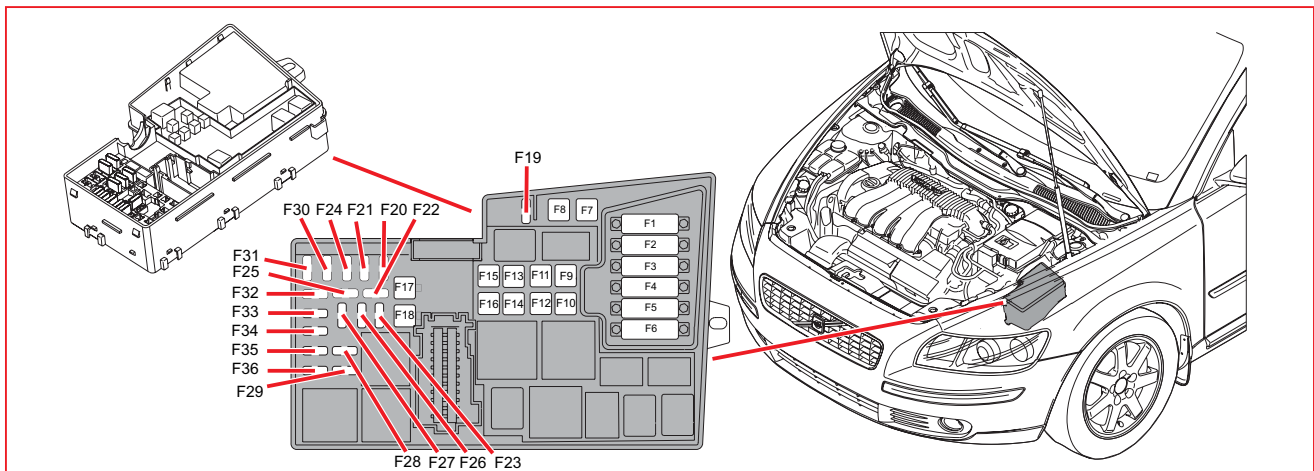


15/31 Engine compartment distribution box

No.	Fuse function	via	A
F32	2/14 Relay, glow plug system 6/143 Regulator motor, Turbo 7/15 Front heated oxygen sensor, 4-cyl. 7/17 Mass air flow sensor (MAF), 5-cyl. Diesel 7/82 Rear heated oxygen sensor, 4-cyl. 8/6-8/10 Injection valves, 5-cyl. 8/121 Coolant valve, 2.0l Diesel 8/122 Bypass valve, intercooler, 1.6l Diesel	- - - - - - - -	10
F33	4/46 Engine control module (ECM), 5-cyl. Diesel 6/114 Vacuum pump, 5-cyl. 7/15 Front heated oxygen sensor, 5-cyl. 7/82 Rear heated oxygen sensor, 5-cyl. Turbo 7/186 Heated oxygen sensor, rear, 5-cyl. without Turbo 7/187 Heated oxygen sensor, center 5-cyl. without Turbo 8/84 Switch, vacuum pump 9/32 PTC-resistor, crankcase ventilation, 2.0l. Diesel 9/38 Heated fuel filter, 4-cyl. Diesel	- 8/84 - - - - - - -	20
F34	4/109 Glow plug control module (GCU), 5-cyl. Diesel 8/6-8/9 Injection valves, 1.6l. 8/77 Fuel volume control valve, 2.0l Diesel 8/111 Fuel flow control valve, 1.6l Diesel 8/113 Bypass valve, EGR cooling 8/119 Pressure monitor, climate control system, 5-cyl. 8/120 EGR valve, 5-cyl. Diesel 8/133 Control valve fuel pressure 20/3 -20/7 Spark plug and ignition coil 20/17 Transformer, ignition coils, 1.6l	- - - - - - - - - -	10
continues			

Fuses

Engine compartment distribution box F35-FH1

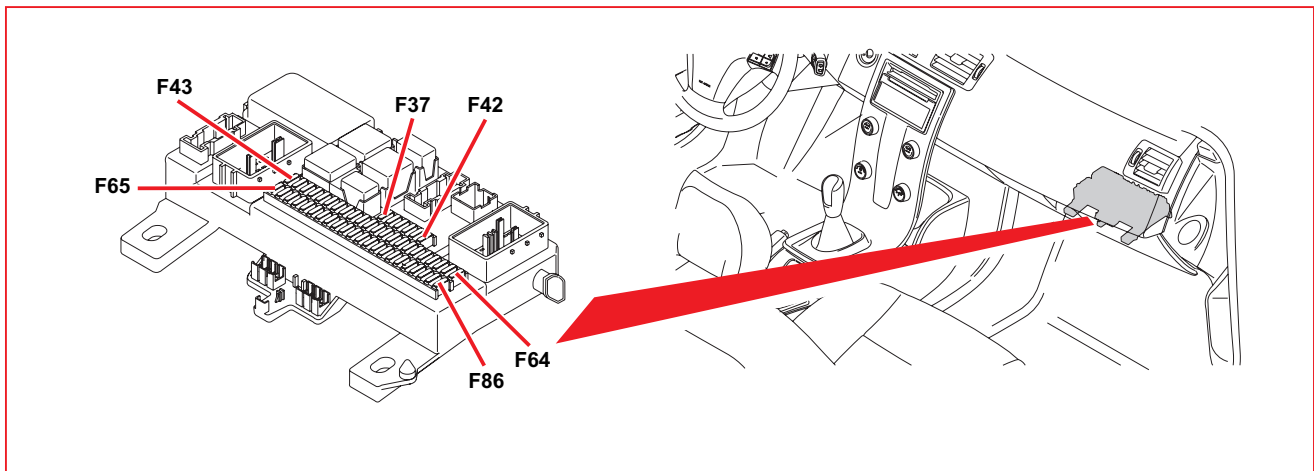


15/31 Engine compartment distribution box

No.	Fuse function	via	A	
F35	2/22	Relay, climate control system	-	15
	4/46	Engine control module (ECM), 5-cyl. Diesel	-	
	6/67	Fuel leakage control pump, 5-cyl.	2/22	
	6/99	EGR motor, 1.6l Diesel, 1.8l Gasoline	-	
	7/17	Mass air flow sensor (MAF), 5-cyl. Gasoline, 4-cyl. Diesel	-	
	7/192	Water detection sensor, 4-cyl. Diesel	-	
	8/6-8/9	Injection valves, 1.8l.	-	
	8/18	EVAP valve, Gasoline	-	
	8/19	Solenoid, variable valve timing, intake, 5-cyl. Gasoline	-	
	8/28	Turbocharger control valve, 2.5l Turbo	-	
	8/45	Vacuum valve, variable intake manifold, 1.8l	-	
	8/65	Pressure switch, power steering, 1.6l	-	
	8/77	Fuel volume control valve, 2.0l Diesel	-	
	8/81	Solenoid, variable valve timing, exhaust, 2.5l Turbo	-	
	8/82	Solenoid, variable turbo geometry, 4-cyl. Diesel	-	
8/114	Valve, air/fuel mixing, 1.8l	-		
8/132	Control valve, intake, 2.0l Diesel	-		
9/32	PTC-resistor, crankcase ventilation 5-cyl. Gasoline	-		
F36	4/46	Engine Control Module (ECM)	-	10
	7/15	Front heated oxygen sensor, 5-cyl. Diesel	-	
	7/51	Accelerator pedal sensor	-	
FH1	10/65	Auxiliary light, front right	2/64	20
	10/69	Auxiliary light, front left	2/64	

Fuses

Central Electronic Module (CEM) F43-F48

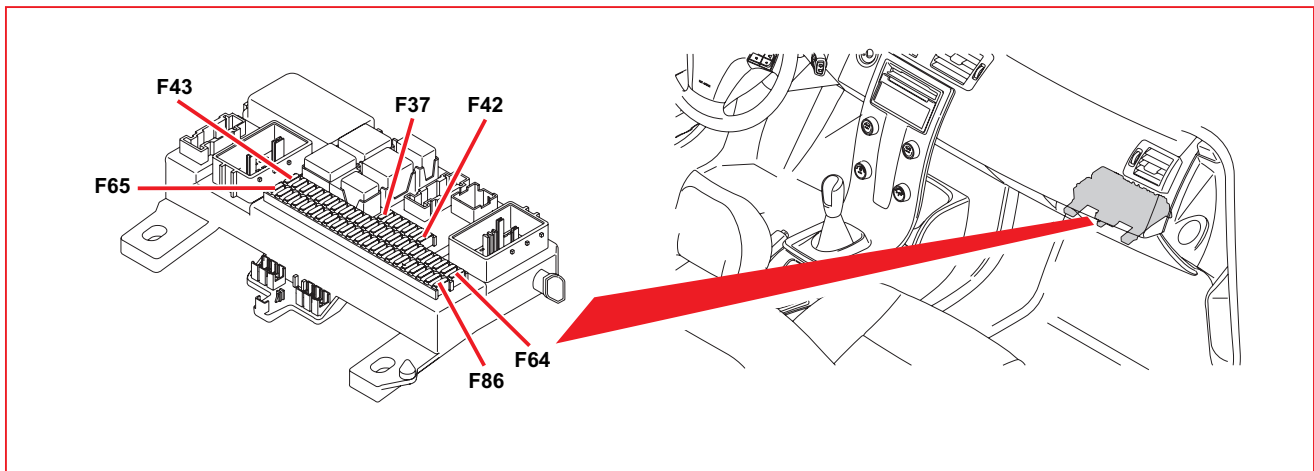


4/56 Central Electronic Module (CEM)

No.	Fuse function	via	A
F43	4/124 Accessory USB unit (AUU) 16/1 Integrated Audio Module (IAM) 16/46 RTI Display 16/60 Phone Module (PHM) 16/93 Control module, cellular phone handsfree 16/108 Multimedia Module (MMM) 17/42 USB-port	- - - - - - -	15
F44	4/46 Engine Control Module (ECM), 5-cyl. 4/9 Supplemental Restraint System Module (SRS)	- -	10
F45	9/1 Front 12V outlet 9/25 Rear 12V outlet	- -	15
F46	3/111 Switch unit, lights 5/1 Driver Information Module (DIM) 10/1 Lamp housing, front left 10/2 Lamp housing, front right 10/29 Glove compartment lighting 10/97 Courtesy lighting, left 10/102 Courtesy lighting, right Alcolock	- - - - - - - -	5
F47	10/22 Ceiling light 10/150 Rear reading light 10/114 Vanity mirror lighting, left, not C70 10/115 Vanity mirror lighting, right	- - - -	5
F48	2/16 Relay, rear window wiper 2/92 Relay, windshield washer motor 2/93 Relay, rear window washer motor 6/2 Washer pump 6/32 Rear window wiper motor	- - - 2/92 2/16	15
continues			

Fuses

Central Electronic Module (CEM) F49-F61

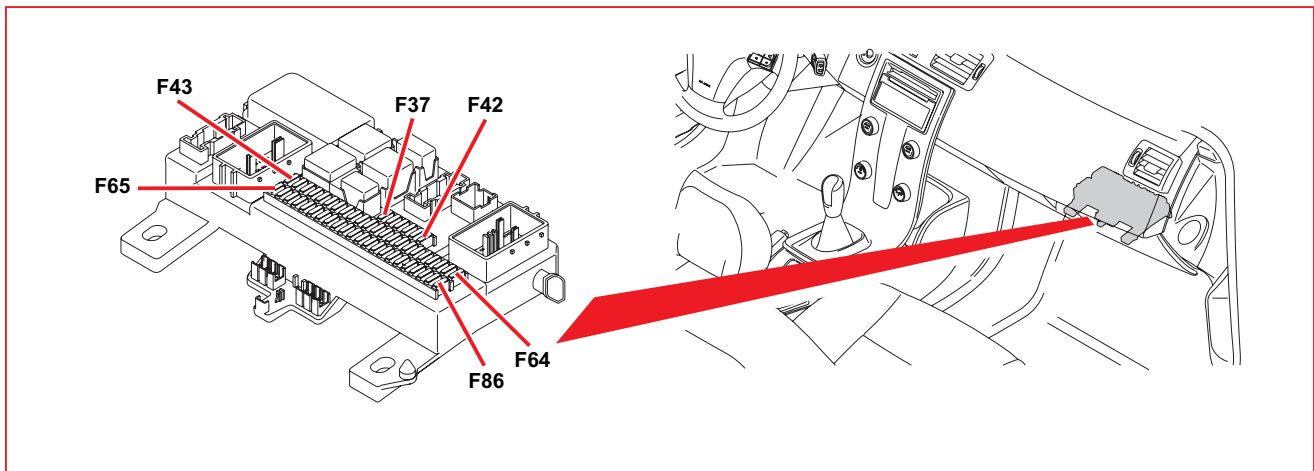


4/56 Central Electronic Module (CEM)

No.	Fuse function	via	A
F49	4/9 Supplemental Restraint System (SRS) 7/93 Occupant Weight Sensor (OWS), USA/CDN	- -	10
F51	2/142 Fuel filter preheater relay 4/82 Differential Electronic Module (DEM) 9/41 PTC-element	- - -	10
F52	4/16 Brake Control Module (BCM) 4/28 Transmission Control Module (TCM)	- -	5
F53	6/71 Electrical Power Steering Module (EPS)	-	10
F54	4/46 Engine Control Module (ECM), 5-cyl. 4/86 Parking Assistance Module (PAM) 4/112 Gas Discharge Lamp Module (GDL), master, left 4/113 Gas Discharge Lamp Module (GDL), slave, right 4/114 Headlamp Control Module (HCM)	-	10
F55	4/93 Keyless Vehicle Module (KVM)	-	20
F56	4/119 Remote Keyless Entry (RKE)/Remote Receiver Module (RRX) 16/35 Siren Control Module (SCM)	-	10
F57	3/9 Contact brake light 17/13 Data link connector	- -	15
F58	2/64 Relay, auxiliary lights (accessory) 4/113 Gas Discharge Lamp Module (GDL), slave, right 10/2 Lamp housing, front right	3/60 - -	7.5
F59	4/112 Gas Discharge Lamp Module (GDL), master, left 10/1 Lamp housing, front left	- -	7.5
F60	9/12 Seat Heating Module (SHM), driver's side	-	15
F61	9/13 Seat Heating Module (SHM), passenger side	-	15
continues			

Fuses

Central Electronic Module (CEM) F62-F69

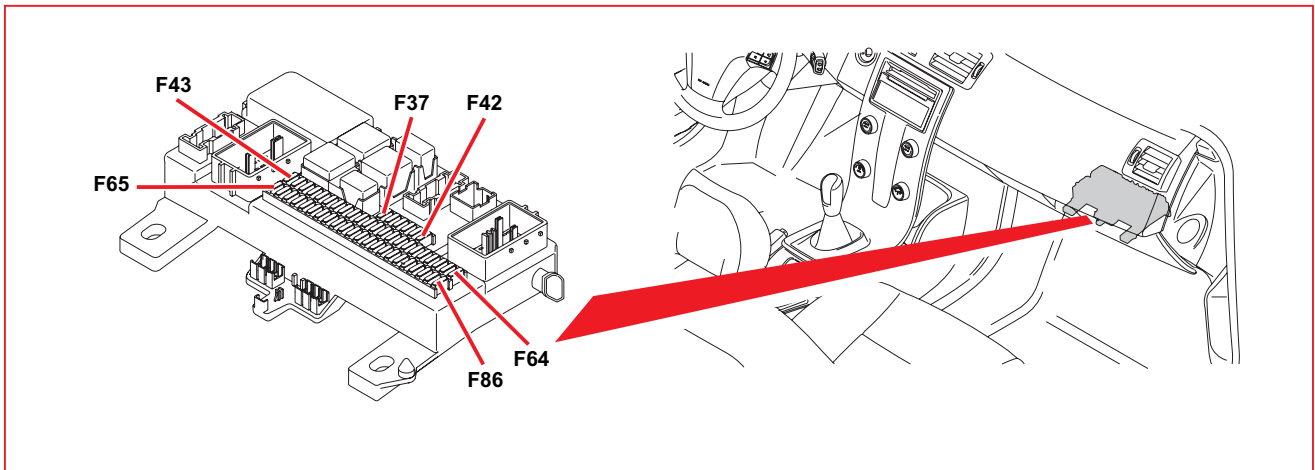


4/56 Central Electronic Module (CEM)

No.	Fuse function	via	A
F62	4/33 Sunroof control module	-	20
F63	3/129 Rear Right Door Module (RDM)	-	20
F64	10/245 Lock indicator, left door, C70 10/246 Lock indicator, right door, C70 16/145 Remote Digital Audio Receiver (RDAR)	- - -	5
F65	2/157 Relay, subwoofer control module 7/182 Remote control IR sensor, RTI 16/46 RTI Display 16/93 Control module, cellular phone handsfree 16/105 Audio Module (AUD) 16/150 AM/FM antenna and amplifier, right rear fender, C70 16/150 Window antenna amplifier, left, C30	- - - - - - -	5
F66	3/112 Climate Control Module (CCM) 16/1 Integrated Audio Module (IAM) 16/1.2 Infotainment Control Module (ICM)	- - -	10
F68	3/254 Steering Wheel Module (SWM)	-	5
F69	3/112 Climate Control Module (CCM) 3/286 BLIS switch 3/286 PAS switch 6/48 Damper Motor Module (DMM), recirculation 6/95 Damper Motor Module (DMM), temperature, left side 6/96 Damper Motor Module (DMM), temperature, right side 6/102 Damper Motor Module (DMM), defroster 6/103 Damper Motor Module (DMM), floor/ventilation 7/149 Rain Sensor Module (RSM) 7/159 Air Quality Sensor (AQS)	- - - - - - - - - -	5
continues			

Fuses

Central Electronic Module (CEM) F73-F85



4/56 Central Electronic Module (CEM)

No.	Fuse function	via	A	
F73	3/117	Switch unit, ceiling light	-	5
	3/217	Belt buckle contact, rear left	-	
	3/218	Belt buckle contact, center rear	-	
	3/219	Belt buckle contact, rear right	-	
	4/33	Sunroof control module	-	
	8/48	Auto-dimming rearview mirror	-	
	10/22	Ceiling light	-	
F74	4/83	Fuel pump control module, Gasoline	2/23	15
	6/33	Fuel pump	2/23, 26/5	
F77	4/78	Accessory Electronic Module (AEM)	-	15
	17/19	12V outlet, cargo compartment	-	
	17/39	13-pin outlet, tow hitch cable harness	-	
F79	8/48	Auto-dimming rearview mirror	2/80	5
	10/48	Reversing light, right	-	
	10/55	Reversing light, left	-	
F81	3/128	Rear left Door Module (LDM)	-	20
F82	3/127	Passenger Door Module (PDM)	-	25
F83	3/126	Driver Door Module (DDM)	-	25
F84	3/27	Switch unit, power passenger seat	-	25
	4/54	Power Seat Module (PSM)	-	
F85	3/26	Switch unit, power driver's seat	-	25
	4/52	Power Seat Module (PSM)	-	
continues				