

Volvo C30 S40 04 V50 C70 06 2011 Wiring Diagram

Full download: <http://manualplace.com/download/volvo-c30-s40-04-v50-c70-06-2011-wiring-diagram/>



VOLVO C30, S40 (04-), V50 & C70 (06-)

WIRING DIAGRAM 2011



TP 39178202

Vehicles with SRS (Airbag)/SIPS bag/ IC (Inflatable curtain)

Warning!

Extra caution must be exercised when working on vehicles equipped with SRS/SIPS bag/IC in order to avoid:

1. Personal injuries when performing repair work.
2. Damage or malfunction of the SRS/SIPS bag/IC system.

Work involving the SRS/SIPS bag/IC systems or other components in the vehicle that may affect the SRS/SIPS bag/IC systems must always be performed by an authorized Volvo workshop.

In case of doubt, consult the SRS and SIPS bag/IC service manual.

Is the vehicle equipped with SRS/SIPS bag/IC?

Vehicles with SRS are most easily recognized by the letters SRS in the center of the steering wheel. If the vehicle also has a passenger side airbag, the letters SRS are stamped on the dashboard above the glove compartment. SRS vehicles from 1993 and onward also have explosive seat belt tensioners. SIPS bags are only installed on SRS vehicles from 1995 and onward. SIPS bag decals are located on the windshield and seat compartment. Vehicles with IC can be recognized by the letters IC on the C/D panel (4 door) or the B panel (5 door).

General recommendations

- Be especially careful when working on or around SRS, SIPS, and IC components.
- Make sure that no wires are pinched, frayed, or pierced.
- Never fit accessories by the sensors.
- Where applicable, work on the steering wheel, steering shaft, or steering gear must be done in accordance with the methods in the SRS section of VIDA.
- Certain components of the aforementioned systems must be grounded while working. Read the appropriate sections in VIDA.
- Install no accessories in the areas between the A and B-posts, the B and C-posts, and the C and D-posts.

Test terminal

Fuse in cargo compartment auxiliary fuse box.

Changes implemented up to and including May 2010

Any changes made to the vehicle after this date are not included in the manual. If necessary, refer to service bulletins.

Volvo models are sold in versions adapted for different markets. These adaptations depend on factors such as legal requirements, taxation, and market demands.

This manual may therefore include illustrations and text that do not apply to the vehicles in your country.

Ordering:

Electronic Wiring Diagrams (EWD) can be ordered from the Technical Information Shop (TIS) at www.volvocarstechinfo.ford.com

We retain the right to make modifications

Table of Contents 1:3

Vehicles with SRS (Airbag)/SIPS bag/	
IC (Inflatable curtain)	2
Abbreviations	6
How to use the wiring diagrams 1:2.....	7
Electrical distribution 1:2.....	9

Fuses

Engine compartment distribution box F1-F10.....	11
Distribution box in engine compartment F11-F20.....	12
Distribution box in engine compartment F21-F31.....	13
Distribution box in engine compartment F32-F34.....	14
Distribution box in engine compartment F35-FH1	15
Main fuse box battery	16
Fuse holder midi	17
Central Electronic Module (CEM) F43-F48.....	18
Central Electronic Module (CEM) F49-F61.....	19
Central Electronic Module (CEM) F62-F69.....	20
Central Electronic Module (CEM) F73-F85.....	21
Central Electronic Module (CEM) F86.....	22
Battery PF1-PF2.....	23

Relays

Ignition switch and relays.....	24
Distribution box in engine compartment R1-R14	25
Engine compartment.....	26
Central electronic module (CEM) R15-R18	27
Central electronic module (CEM) R1-R11B.....	28
Other relays	29

Ground connections

Overview.....	30
31/3 - 31/10 cont.....	31
31/10 - 31/52	32
31/66 - 31/80	33
31/83 - 31/110 cont.....	34
31/110 - 31/119	35
31/131 - chassis.....	36

Control modules

Overview locations.....	37
Overview designations.....	38
Central electronic module (CEM) 1:2.....	39
Data communication, Low speed CAN 1:2.....	41
Data communication high speed CAN.....	43
Data communication MOST.....	44
Data communication, LIN 1:2	45
Ignition switch (SCU)	47
Accessory electronic module (AEM).....	48

Group 23 Fuel system

Engine management system, 4-Cyl. 1.6l 1:2.....	49
------------------------------------------------	----

Engine management system, 4-Cyl. 2.0l 1:2.....	51
Engine management system, 5-Cyl. Turbo 1:2.....	53
Engine management system Diesel, 4-Cyl. 1.6l 1:2	55
Engine management system Diesel, 4-Cyl. 1.6l 1:2	57
Engine management system Diesel, 5-Cyl. 2.0l 1:3	59
Emission control 4-Cyl. 1.6l	62
Emission control 4-Cyl. 2.0l	63
Emission control 5-Cyl.	64

Group 26 Cooling system

Cooling fan.....	65
------------------	----

Group 27 Engine controls

Cruise control 4-Cyl.	66
Cruise control 5-Cyl.	67
Start/stop function	68

Group 32 Alternator and voltage regulator

Power supply 4-Cyl.....	69
Power supply 5-Cyl.....	70

Group 33 Starting system

Starting system 4-Cyl.....	71
Starting system 5-Cyl.....	72

Group 35 Lighting

High and low beam	73
Active headlights, (Dual Xenon) S40/V50.....	74
High and low beam, (Dual Xenon) C30/C70.....	75
Active headlight, (Dual Xenon) C30/C70	76
Running/Parking light, Tail lights S40/V50.....	77
Running/Parking light, Tail light (Dual Xenon) S40/V50	78
Running/Parking lights, Tail lights C30/C70.....	79
Running/Parking lights, Tail lights (Dual Xenon) C30/C70	80
Brake lights S40/V50	81
Brake lights C30/C70	82
Reversing lights S40/V50.....	83
Reversing lights C30/C70	84
Fog lights S40/V50	85
Fog lights C30/C70	86
Fog lights RHD Japan S40/V50	87
Fog lights RHD Japan C30/C70.....	88
Interior lighting C30/S40/V50 1:2.....	89
Interior lighting C70 1:2.....	91
Follow-me-home lighting.....	93
Instrument and control illumination	94
Auxiliary lights.....	95

Table of Contents 2:3

Group 36 Additional electrical equipment

Direction indicator and hazard warning flashers S40/V50	96
Direction indicator and hazard warning flashers (Dual Xenon) S40/V50	97
Direction indicator and hazard warning flashers C30/C70	98
Direction indicator and hazard warning flashers (Dual Xenon) C30/C70	99
Wiper/washer windshield	100
Washer headlights	101
Wiper/washer rear window C30/V50	102
Rain sensor	103
Parking assistance	104
Keyless vehicle C30/S40/V50 1:2	105
Keyless vehicle C70 1:2	107
Immobilizer/Steering column lock module (SCL)	109
Horn	110
Anti-theft alarm C30	111
Anti-theft alarm S40/V50	112
Anti-theft alarm C70	113
Alcohol lock	114
Accessory Electronic Module (AEM) C30	115
Accessory Electronic Module (AEM), S40/V50/C70 ..	116

Group 37 Wiring and fuses

12V outlet C30/S40/V50	117
12V outlet, C70	118
Diagnostics system	119
Cable harness towbar/tow hitch 4-pin S40/V50	120
Cable harness towbar/tow hitch 4-pin C30	121
Cable harness towbar/tow hitch 7-pin S40/V50	122
Cable harness towbar/tow hitch 7-pin C30/C70	123
Cable harness towbar/tow hitch 13-pin S40/V50/C70 ..	124
Cable harness towbar/tow hitch 13-pin C30	125
Accessory USB unit (AUU)	126

Group 38 Instruments

Driver information module	127
Seat belt reminder C30/S40/V50	128
Seat belt reminder C70	129

Group 39 Other

Audio C30/S40/V50	130
Alternative connection audio S40/V50	131
Audio C70	132
Audio High Performance/Premium Sound C30/S40/V50 1:2	133
Audio High Performance/Premium Sound C70 1:2 ...	135

Cellular phone 1:2	137
Multimedia & Traffic information	139
Satellite radio	140
Navigation system, portable	141
Bluetooth	142
Bluetooth Handsfree, internal amplifier	143
Bluetooth Handsfree, external amplifier	144
Bluetooth Handsfree & AUU, internal amplifier	145
Bluetooth Handsfree & AUU, external amplifier	146
Bluetooth Handsfree with AEM, internal amplifier, LHD	147
Bluetooth Handsfree with AEM, internal amplifier, RHD	148
Bluetooth Handsfree with AEM, external amplifier, LHD	149
Bluetooth Handsfree with AEM, external amplifier, RHD	150

Group 43 Transmission

Automatic transmission AW55-51	151
Automatic transmission AWF21	152
Transmission M66	153
Automatic transmission MPS6	154

Group 59 Brake system

Brake control system & STC	155
Brake control system & DSTC	156

Group 64 Steering

Speed dependent power steering	157
--------------------------------------	-----

Group 83 Doors and openings

Central locking front doors C30/S40/V50	158
Central locking rear doors S40/V50	159
Central locking C70	160
Central locking trunk lid/tailgate C30	161
Central locking trunk lid/tailgate S40/V50	162
Central locking trunk lid/tailgate C70	163
Central locking storage compartment C70	164
Child safety lock S40/V50	165
Central locking fuel filler flap	166
Signal receiver central locking C30/S40/V50	167
Signal receiver central locking C70	168
Power windows front doors C30/S40/V50	169
Power windows C70	170
Power windows rear doors S40/V50	171
Power sunroof C30/S40/V50	172
Power roof C70	173

Table of Contents 3:3

Group 84 Exterior decorative elements, etc.

Power door mirrors C30/S40/V50.....	174
Power door mirrors C70.....	175
Heated door mirrors.....	176
Heated rear window.....	177
Blind spot information system.....	178

Group 85 Interior equipment

Power driver's seat with memory function LHD S40/V50.....	179
Power driver's seat with memory function RHD S40/V50.....	180
Power driver's seat with memory function LHD C30/C70.....	181
Power driver's seat with memory function RHD C30/C70.....	182
Power passenger seat with memory function LHD C30/C70.....	183
Power passenger seat with memory function RHD C30/C70.....	184
Power driver's seat LHD S40/V50.....	185
Power driver's seat RHD S40/V50.....	186
Power passenger seat LHD S40/V50.....	187
Power passenger seat RHD S40/V50.....	188
Heated seats.....	189

Group 87 Climate control system

Climate control system PTC-elements.....	190
Climate control system, 4-Cyl. Gasoline 1:2.....	191
Climate control system, Diesel 1.6l 1:2.....	193
Climate control system, 5-Cyl. 1:2.....	195
Parking heater, auxiliary heater.....	197
Relay, electric engine heater.....	198
Electric engine heater Flexifuel.....	199

Group 88 Internal equipment

Rear-view mirror with automatic dimming.....	200
Supplemental restraint system C30/S40/V50 1:2.....	201
Supplemental restraint system C70 1:2.....	203
Remote control garage opening.....	205

Connectors	206
-------------------------	------------

Branching points	246
-------------------------------	------------

Cable harness routing in vehicle

Engine harness, Gasoline 4-Cyl.1.6.....	258
Engine harness, Gasoline 4-Cyl.2.0.....	258
Engine harness, gasoline 5-Cyl. Turbo.....	259
Engine harness, Diesel 1.6l.....	259
Engine harness, Diesel 1.6l.....	260
Harness engine, Diesel 2.0l.....	260
Engine compartment harness, 4-Cyl.....	261
Engine compartment harness, 5-Cyl.....	261
Harness dashboard, LHD.....	262
Harness Dashboard, RHD.....	262
Floor harness, C30 LHD.....	263
Floor harness, C30 RHD.....	264
Floor harness, S40 LHD.....	265
Floor harness, S40 RHD.....	266
Floor harness, V50 LHD.....	267
Floor harness, V50 RHD.....	268
Floor harness, C70 LHD.....	269
Floor harness, C70 RHD.....	270
Roof harness, C30.....	271
Roof harness, S40.....	271
Roof harness, V50.....	272
Roof harness, C70.....	272
Tunnel harness, C30/S40/V50.....	273
Tunnel harness, C70.....	273
Driver's door harness, C30.....	274
Passenger door harness, C30.....	274
Driver's door harness, S40/V50.....	275
Passenger door harness, S40/V50.....	275
Driver's door harness, C70.....	276
Driver's door harness supplement, C70.....	276
Passenger door harness, C70.....	277
Passenger door harness supplement, C70.....	277
Harness rear door, right S40/V50.....	278
Harness rear door, left S40/V50.....	278
Rear side panel harness, left C70.....	279
Rear side panel harness, right C70.....	279
Trunk lid/tailgate harness, C30.....	280
Trunk lid/tailgate harness, S40.....	280
Trunk lid/tailgate harness, V50.....	281
Trunk lid/tailgate harness, C70.....	281

Component illustrations	282
--------------------------------------	------------

Index 1:2	340
------------------------	------------

List of components 1:7	342
-------------------------------------	------------

Explanations

Abbreviations

Groups

Group 23	= Fuel system
Group 26	= Cooling system
Group 27	= Engine controls
Group 32	= Alternator and voltage regulator
Group 33	= Starting system
Group 35	= Lighting
Group 36	= Additional electrical equipment
Group 37	= Wiring and fuses
Group 38	= Instruments
Group 39	= Other
Group 43	= Transmission
Group 59	= Brake system
Group 64	= Steering
Group 83	= Doors and openings
Group 84	= Exterior decorative elements, etc.
Group 85	= Interior equipment
Group 87	= Climate control system
Group 88	= Internal equipment

Designations ignition switch

X	= Accessories (audio position)
S	= Powered upon insertion of key
15	= Contact remains connected during start
15I	= Contact is broken while starting
30	= Constant power from the battery
50	= Start

Countries/Markets

A	= Austria
AUS	= Australia
B	= Belgium
CDN	= Canada
CH	= Switzerland
D	= Germany
DK	= Denmark
E	= Spain
EU/OS	= Markets outside USA and Canada
FIN	= Finland
GB	= Great Britain
ISR	= Israel
J	= Japan
KOR	= Korea
N	= Norway
NL	= Netherlands
S	= Sweden
USA	= United States of America
WEU	= Western Europe

Other

ACC	= Accessories
Ag	= Silver plated
Au	= Gold plated
AUTO	= Automatic transmission
AWD	= All wheel drive
CAN	= CAN communication
D	= Diesel
DPY	= Display
ECC	= Electronic climate control system
ETA	= Throttle unit
EXT. X	= Extended X-feed
GDL	= Gas discharge lamp
HISPEED	= High speed data bus
IR	= Infrared sensor
LIN	= LIN communication
LHD	= Left-hand drive
LOSPEED	= Low speed data bus
MAN	= Manual transmission
MEMORY	= Memory driver's seat
MMS	= Mass Movement Sensor
PETROL	= Gasoline
RHD	= Right-hand drive
SCR	= Screened
SRS	= Airbag
T	= Turbocharged engine
W/O	= Without
2WD	= Two-wheel drive
4CYL, I4	= 4-cylinder engine
5CYL, I5	= 5-cylinder engine

Colors

BK, SB	= Black
BN	= Brown
BU, BL	= Blue
GN	= Green
GY, GR	= Gray
LGN	= Light Green
OG, OR	= Orange
PK, P	= Pink
RD, R	= Red
VT, VO	= Violet
WH, W	= White
YE, Y	= Yellow

How to use the wiring diagrams 1:2

The descriptions below apply in general to all wiring diagram manuals, although not all sections are necessarily contained in this manual.

A. Component designation

Every component has a component designation that consists of two parts.

The first part is a type number that describes the type of component in question, for example 3/xx.

The second part of the designation is a serial number, e.g. x/2.

Together, this constitutes a component designation, e.g. 3/2.

At the end of the manual is a list of components, where, with the help of the component designation, you can read off the name of the component, for example, 3/2 = light switch.

List of type numbers

The list shows which type of component that respective type numbers refer to, for example, 3/x = switch, 6/x = electric motor, etc.

1	Battery
2	Relay
3	Switch
4	Control module
5	Driver information module
6	Electric motor
7	Sensor
8	Actuator
9	Heating element
10	Light
11	Fuse
15	Electrical distribution rail/box
16	Audio
17	Service/diagnostics
18	Contact reel
19	Meter
20	Ignition component/shunt
27	Optics
31	Ground connection
63	Branching point
64	Connector

The systems are shown in non-active status. i.e. with "key removed" and when the doors, hatches and hood are closed.

B. Branching points

The wiring diagrams contain numbered junction points, e.g. 63/352.

This manual contains a section with a list of branching points. This list shows all the components that are connected to each branching point.

The location of the branching points is shown in the "Cable harness routing in vehicle" section.

C. Connectors

Connectors provide a bridge between two cable harnesses and are described in the "Connectors" section.

D. Electrical distribution

Operation of the fuses and relays is shown in the "Electrical distribution" section.

E. Data communication

Today's cars contain CAN and MOST networks that transfer information. Connections to these networks are not shown in their entirety in the respective wiring diagram. Complete information on CAN and MOST communication is found in the section "Control modules".

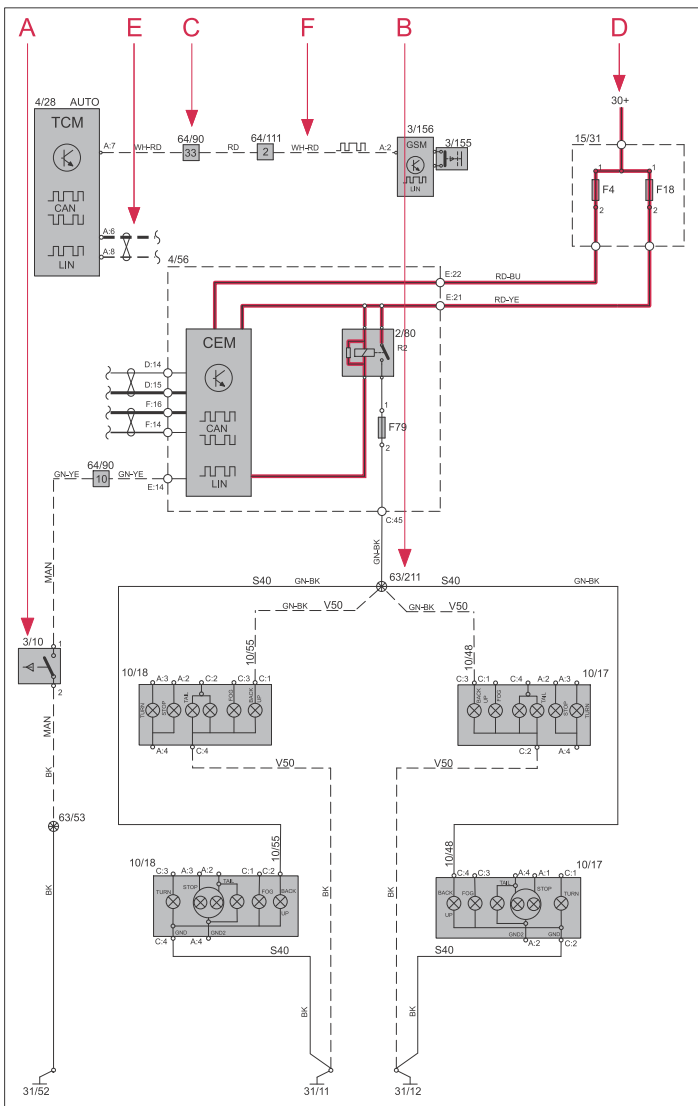
F. Abbreviations

A number of different abbreviations are used in the manual. These are explained in the section "Abbreviations".

G. Component location

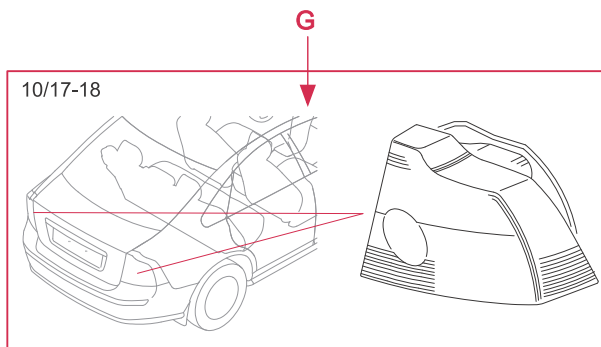
There is a section at the end of the manual in which the appearance and location of components is described in numerical order.

How to use the wiring diagrams 2:2



List of symbols

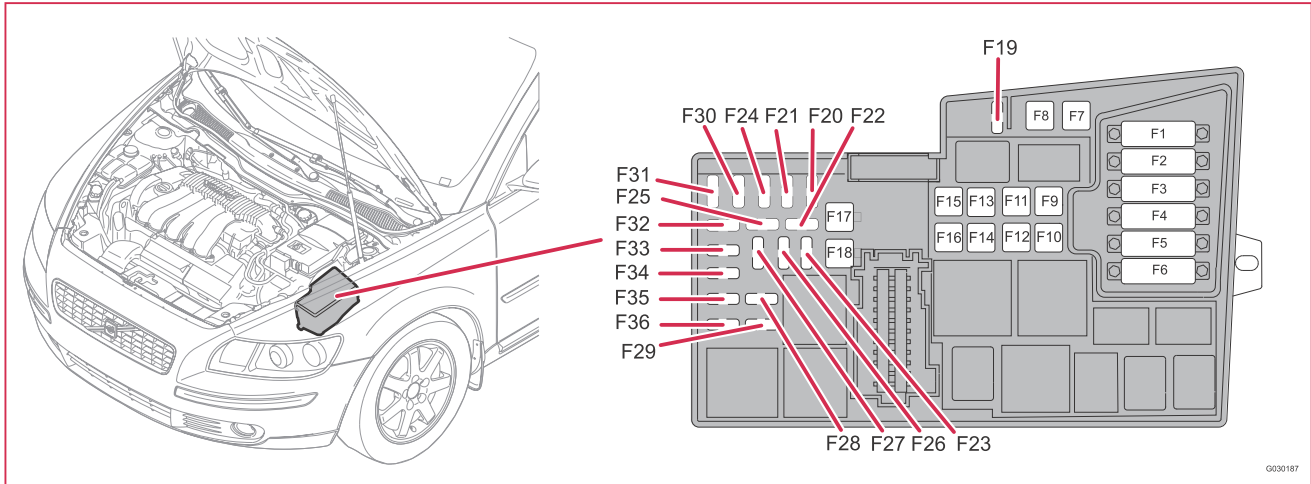
- = System voltage
- = Ground connection via wiring
- = Ground connection in component/chassis
- = Screened wire
- = Junction point
- = Twisted cable
- = Electrical connection
- = Variant
- = CAN communication
- = CAN high data signal (CAN H)
- = CAN low data signal (CAN L)
- = LIN communication
- = LIN communication
- = DIN cable, coaxial cable, etc.
- = Data communication
- = CAN communication
- = MOST communication
- = MOST communication
- = Connection with distribution box
- = Further connection to...
- = Connector between cable harnesses
- = Connector connected in component



G030169

Fuses

Engine compartment distribution box F1-F10

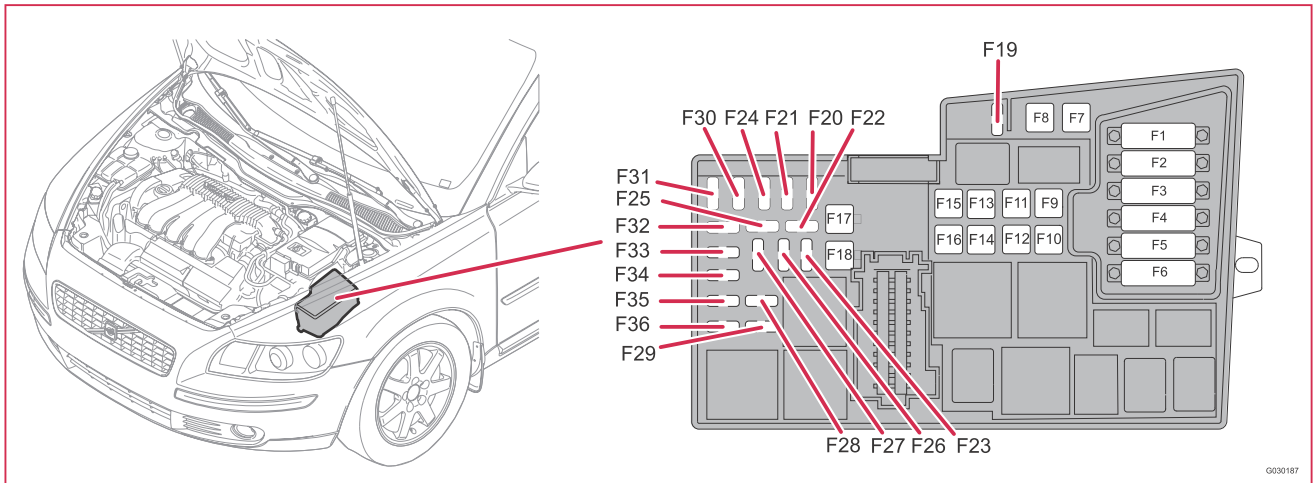


15/31 Distribution box in engine compartment

No.	Fuse function	via	A
F1	4/71 Cooling fan control module	-	50
F2	6/71 Electrical power steering module (EPS)	-	80
F3	2/193 Relay, comfort functions 4/56 Central Electronic Module (CEM) F45 Fuse in the Central Electronic Module (CEM) F48-F49 Fuses in the Central Electronic Module (CEM) F60-F61 Fuses in the Central Electronic Module (CEM) F62-F63 Fuses in the Central Electronic Module (CEM) F68-F69 Fuses in the Central Electronic Module (CEM) F80 Fuse in the Central Electronic Module (CEM) F84-F85 Fuses in the Central Electronic Module (CEM)	- 2/193 2/193 2/193 2/193 - 2/193 2/193 -	60
F4	2/63 Relay, high beam 4/56 Central Electronic Module (CEM) F55 Fuses in the Central Electronic Module (CEM) F58-F59 Fuses in the Central Electronic Module (CEM) F74 Fuses in the Central Electronic Module (CEM) F77 Fuses in the Central Electronic Module (CEM)	- - - 2/63 - -	60
F5	9/41 PTC-element	-	80
F6	4/109 Glow plug control module (GCU), 5-Cyl. 20/23-26 Glow plug, 4-Cyl.	- 2/14	70 60
F7	4/16 Brake Control Module (BCM), pump	-	30
F8	4/16 Brake Control Module (BCM), valves	-	20
F9	2/32 Main relay, engine management system F32-F36 Fuses in the engine compartment distribution box	- 2/32	30
F10	4/31 Passenger compartment fan control module	-	40
continues			

Fuses

Distribution box in engine compartment F11-F20

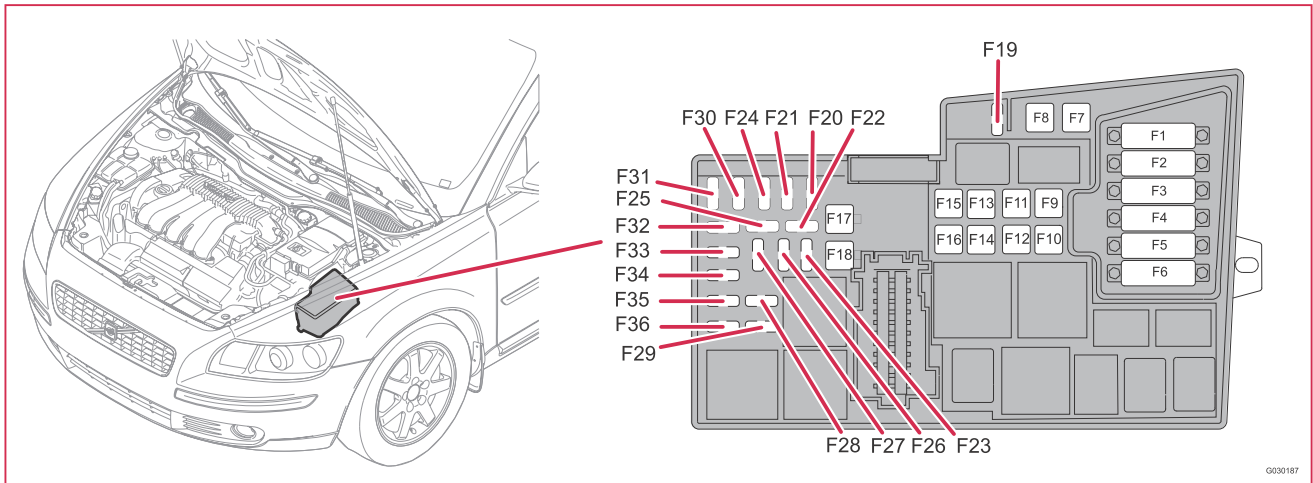


15/31 Distribution box in engine compartment

No.	Fuse function	via	A
F11	2/182	Relay, headlight washer motor	-
	4/59	Convertible Roof Module (CRM), C70	-
	6/104	Pump, high pressure headlight washer	2/182
F12	2/82	Relay, heated rear window	-
	9/2	Heated rear window	2/82, 16/141
F13	6/25	Starter motor	2/35
F14	4/110	Trailer Module (TRM)	-
F15	4/59	Convertible Roof Module (CRM), C70	-
F16	2/159	Infotainment relay, S40/V50/C30	-
	16/105	Audio module (AUD), S40/V50/C30	-
	F22	Fuse, Distribution box in engine compartment, S40/V50/C30	-
	F43	Fuse in the Central Electronic Module (CEM), S40/V50/C30	-
	F64	Fuse in the Central Electronic Module (CEM), S40/V50/C30	-
	F65-F67	Fuses in the Central Electronic Module (CEM), S40/V50/C30	2/159
F17	6/1	Wiper Motor Module (WMM)	-
F18	2/80	Relay, reversing lights	-
	2/89	Relay, interior lighting	-
	4/56	Central Electronic Module (CEM)	-
	F46-F47	Fuses in the Central Electronic Module (CEM)	2/89
	F56-F57	Fuses in the Central Electronic Module (CEM)	-
	F79	Fuse in the Central Electronic Module (CEM)	2/80
	F81-F83	Fuses in the Central Electronic Module (CEM)	-
	F86	Fuse in the Central Electronic Module (CEM)	2/89
	F20	2/17	Relay, horn
16/10		Horn 1	2/17
16/11		Horn 2	2/17
continues			

Fuses

Distribution box in engine compartment F21-F31

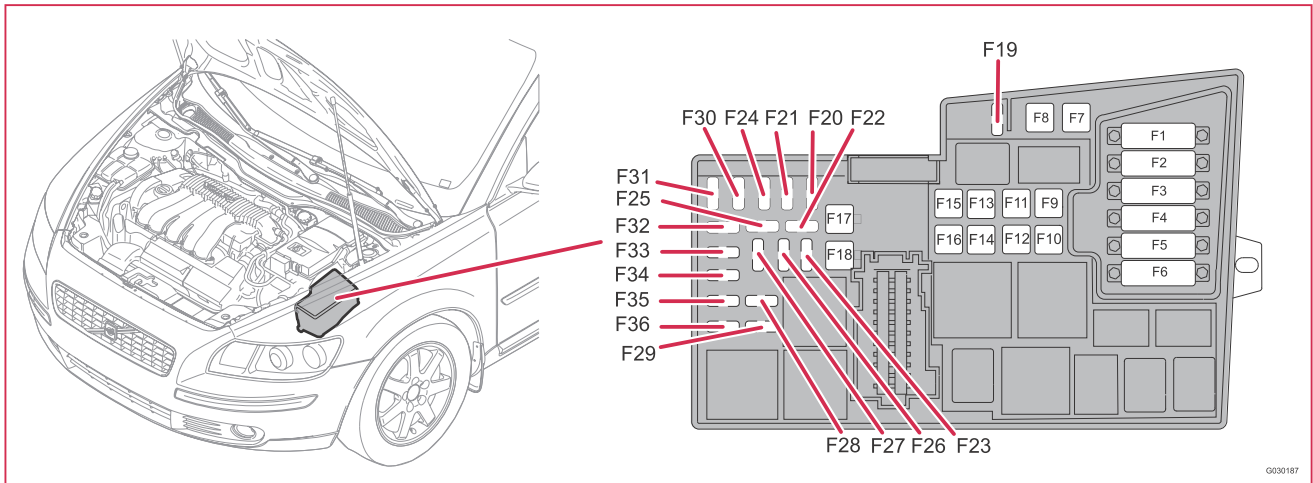


15/31 Distribution box in engine compartment

No.	Fuse function	via	A
F21	4/7 Combustion Preheater Module (CPM)	-	20
F23	4/28 Transmission Control Module (TCM), MPS6	-	15
	4/28 Transmission Control Module (TCM), 5-Cyl.	-	10
	4/28 Transmission Control Module (TCM), AWF21	-	
F24	9/32 PTC resistor, crankcase ventilation, 5-Cyl. Diesel	2/142	20
	9/38 Heated fuel filter, 5-Cyl. Diesel	2/142	
F25	1/3 Secondary battery, 1.6l Diesel	-	10
	4/56 Central Electronic Module (CEM), 1.6l Diesel		
F26	2/35 Relay, starter motor	3/1	15
	3/1 Start Control Module (SCU)	-	
	4/56 Central Electronic Module (CEM)	3/1	
	F44 Fuse in the Central Electronic Module (CEM)	3/1	
	F51-F54 Fuses in the Central Electronic Module (CEM)	3/1	
	F73 Fuse in the Central Electronic Module (CEM)	3/1	
F27	8/3 Electromagnetic clutch, climate control system	2/22	10
F29	2/34 Relay, front fog lights	-	15
	10/5 Fog light, front left	2/34	
	10/6 Fog light, front right	2/34	
F30	4/46 Engine control module (ECM), 1.6l Gasoline	-	3
	6/73 Coolant pump, 1.6l Diesel	2/239	
F31	6/26 Alternator, 4-Cyl.	-	10
continues			

Fuses

Distribution box in engine compartment F32-F34

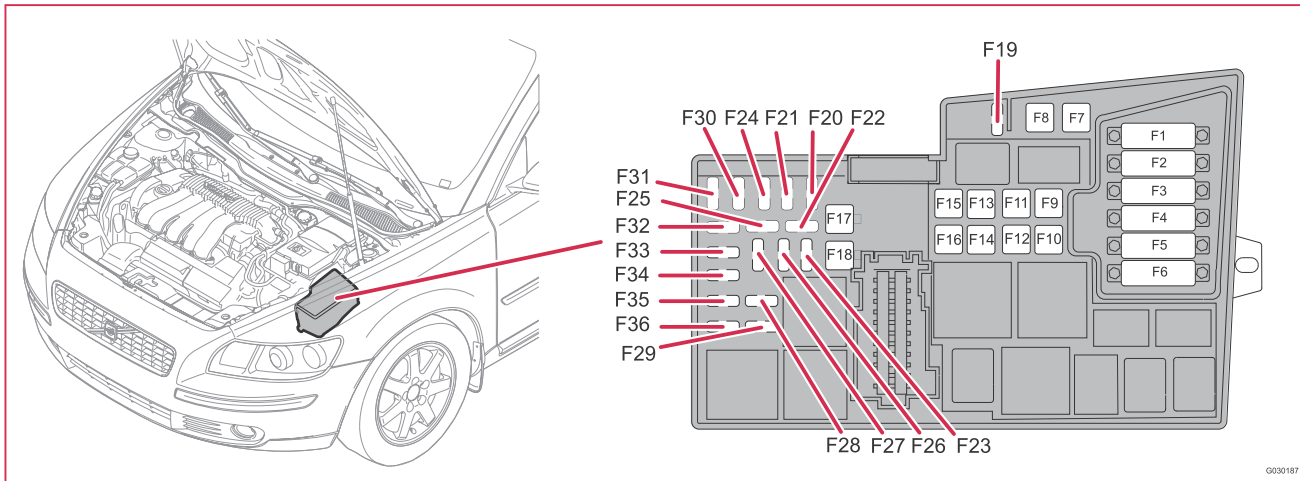


15/31 Distribution box in engine compartment

No.	Fuse function	via	A
F32	2/14 Relay, glow plug system 6/143 Regulator motor, Turbo 7/15 Front heated oxygen sensor, 4-Cyl. 7/17 Mass air flow sensor (MAF), 5-Cyl. Diesel 7/82 Rear heated oxygen sensor, 4-Cyl. 8/6-8/10 Injection valves, 5-Cyl. 8/11 Control valve fuel flow 8/122 Bypass valve, intercooler, 1.6l Diesel	- - - - - - - -	10
F33	2/133 Relay vacuum pump 4/46 Engine Control Module (ECM), 5-Cyl. Diesel 6/114 Vacuum pump, 5-Cyl. 7/15 Front heated oxygen sensor, 5-Cyl. 7/82 Rear heated oxygen sensor, 5-Cyl. Turbo 8/84 Switch, vacuum pump 9/38 Heated fuel filter, 4-Cyl. Diesel	- - 2/133 - - - -	20
F34	2/35 Relay starter motor, 1.6l Diesel 2/242 Battery relay, 1.6l Diesel 2/243 Secondary battery relay, 1.6l Diesel 2/239 Relay coolant pump, 1.6l Diesel 4/46 Engine control module (ECM), 1.6l Diesel 4/109 Glow plug control module (GCU), 5-Cyl. 7/15 Front heated oxygen sensor 4-Cyl. 8/6-8/9 Injection valves, 1.6l. 8/111 Fuel flow control valve, 1.6l Diesel 8/119 Pressure monitor, climate control system, 5-Cyl. 8/120 EGR valve, 5-Cyl. Diesel 8/133 Control valve fuel pressure 20/3 -20/7 Spark plug and ignition coil 20/17 Transformer, ignition coils, 1.6l.	2/247 - - - 2/247 - - - - - - - - -	10
continues			

Fuses

Distribution box in engine compartment F35-FH1

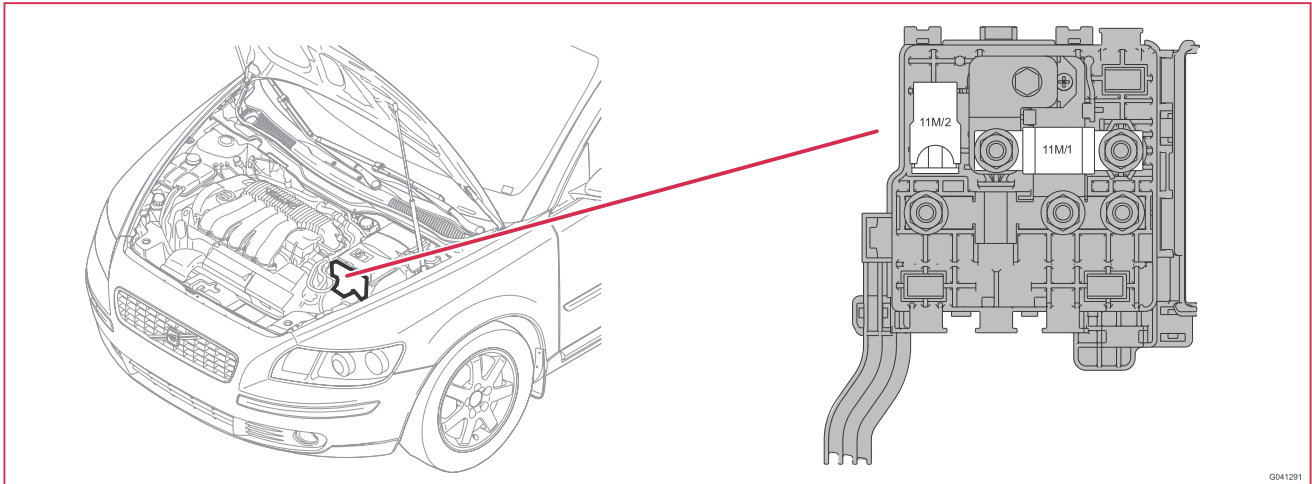


15/31 Distribution box in engine compartment

No.	Fuse function	via	A	
F35	2/22	Relay, climate control system	-	15
	4/46	Engine Control Module (ECM), 5-Cyl. Diesel	-	
	6/67	Fuel leakage control pump, 5-Cyl.	2/22	
	6/99	Engine EGR, 1.6l Diesel	-	
	7/17	Mass air flow sensor (MAF), 5-Cyl. Gasoline, 4-Cyl. Diesel	-	
	8/18	EVAP valve, Gasoline	-	
	8/19	Solenoid, variable valve timing, intake, 5-Cyl. Gasoline	-	
	8/28	Turbocharger control valve, 2.5l Turbo	-	
	8/65	Pressure switch, power steering, 1.6l	-	
	8/81	Solenoid, variable valve timing, exhaust, 2.5l Turbo	-	
	8/82	Solenoid, variable turbo geometry, 4-Cyl. Diesel	-	
8/113	Bypass valve, EGR cooling	-		
9/32	PTC resistor, crankcase ventilation 5-Cyl. Gasoline	-		
F36	4/46	Engine Control Module (ECM)	-	10
	7/15	Front heated oxygen sensor, 5-Cyl. Diesel	-	
	7/51	Accelerator pedal sensor	-	
FH1	10/65	Auxiliary light, front right	2/64	20
	10/69	Auxiliary light, front left	2/64	

Fuses

Main fuse box battery



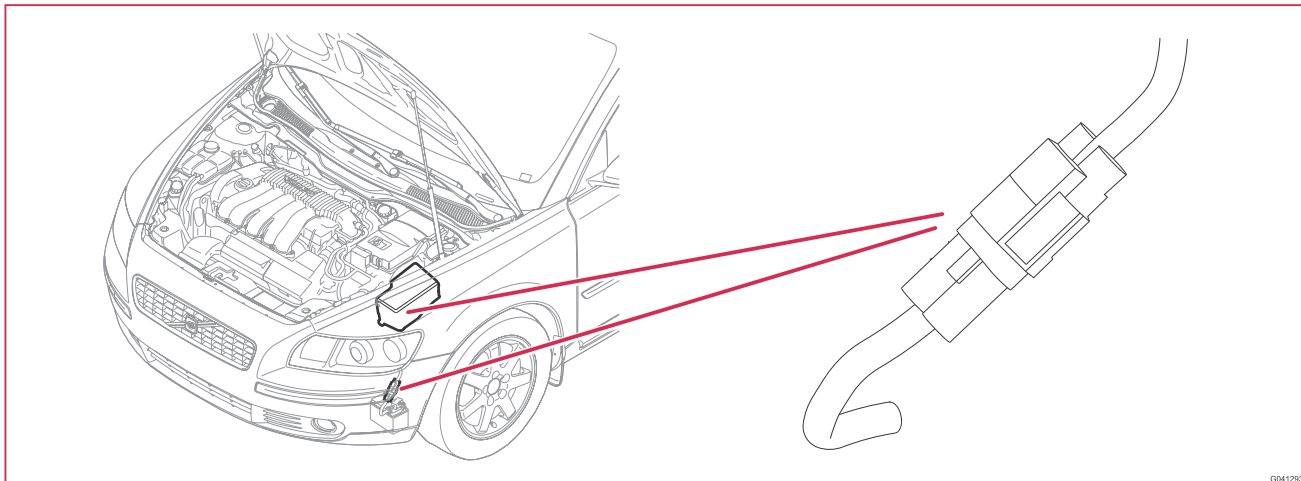
GS41291

15/34 Main fuse box battery

No.	Fuse function	via	A
11M/1	6/26 Alternator	2/242	125
	15/31 Distribution box in engine compartment	-	
11M/2	7/240 Battery monitoring sensor (BMS)	-	15

Fuses

Fuse holder midi

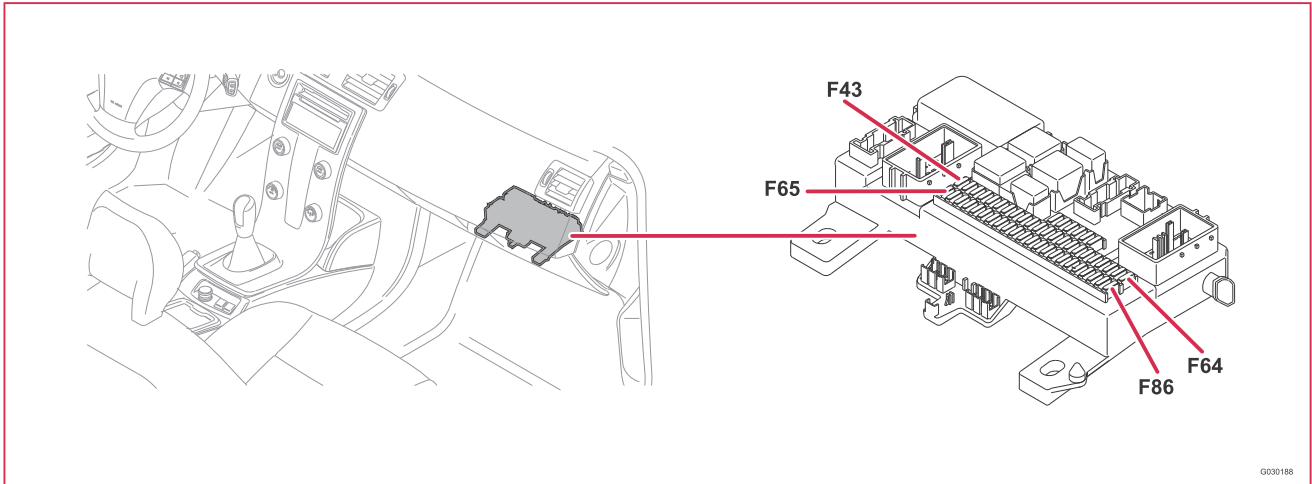


15/37 Fuse holder midi

No.	Fuse function	via	A
	Cable fuse by secondary battery	-	70
	Cable fuse in distribution box in engine compartment	-	70

Fuses

Central Electronic Module (CEM) F43-F48

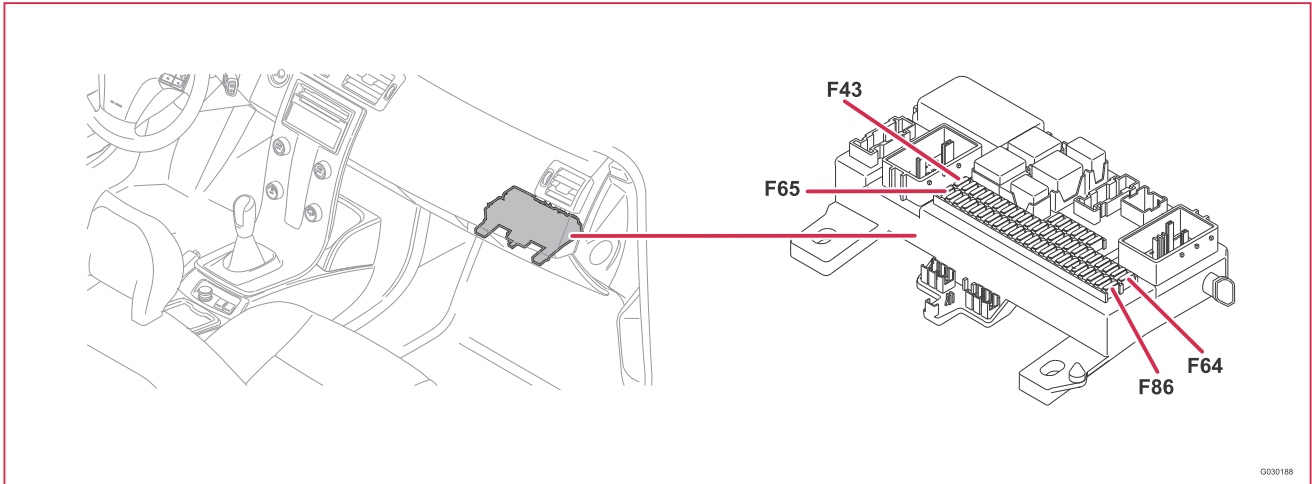


4/56 Central Electronic Module (CEM)

No.	Fuse function	via	A
F43	4/124	Accessory USB unit (AUU)	15
	16/1	Integrated Audio Module (IAM)	
	16/46	RTI Display	
	16/60	Phone Module (PHM)	
	16/108	Multimedia Module (MMM)	
	16/147	Bluetooth Phone Module (BPM)	
	17/42	USB-port	
F44	4/46	Engine Control Module (ECM), 5-Cyl.	10
	4/9	Supplemental Restraint System Module (SRS)	
F45	9/1	Front 12V outlet	15
	9/25	Rear 12V outlet	
F46	3/111	Switch unit, lights	5
	5/1	Driver Information Module (DIM)	
	10/1	Lamp housing, front left	
	10/2	Lamp housing, front right	
	10/29	Glove compartment lighting	
	10/97	Courtesy lighting, left	
	10/102	Courtesy lighting, right	
		Alcohol lock	
F47	4/76	Remote control unit for garage door opener	5
	10/22	Ceiling light	
	10/150	Rear reading light	
	10/114	Vanity mirror lighting, left, not C70	
	10/115	Right-hand vanity mirror lighting	
F48	2/16	Relay, rear window wiper	15
	2/92	Relay, windshield washer motor	
	2/93	Relay, rear window washer motor	
	6/2	Washer pump	
	6/32	Rear window wiper motor	
continues			

Fuses

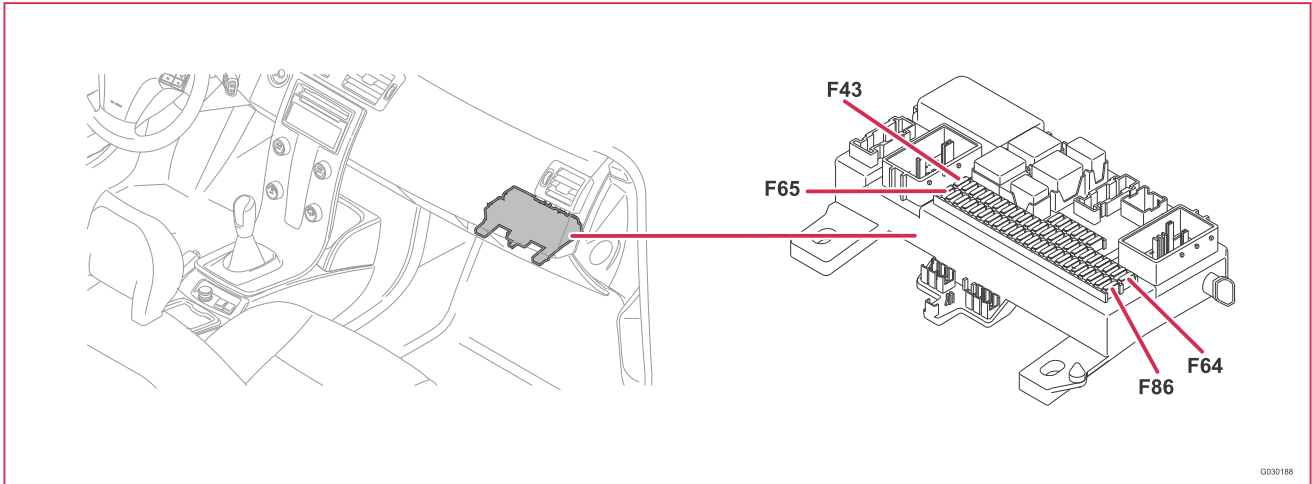
Central Electronic Module (CEM) F49-F61



4/56 Central Electronic Module (CEM)

No.	Fuse function	via	A
F49	4/9 Supplemental Restraint System Module (SRS) 7/93 Occupant Weight Sensor (OWS), USA/CDN	- -	10
F51	2/142 Relay pre-heater fuel filter 9/41 PTC-element	- -	10
F52	4/16 Brake Control Module (BCM) 4/28 Transmission Control Module (TCM)	- -	5
F53	6/71 Electrical power steering module (EPS)	-	10
F54	4/46 Engine Control Module (ECM), 5-Cyl. 4/86 Parking Assistance Module (PAM) 4/112 Gas Discharge Lamp Module (GDL), master, left 4/113 Gas Discharge Lamp Module (GDL), slave, right 4/114 Headlamp Control Module (HCM) 10/1 Lamp housing, front left 10/2 Lamp housing, front right	- - - - - -	10
F55	4/93 Keyless Vehicle Module (KVM)	-	20
F56	4/119 Remote Keyless Entry (RKE)/Remote Receiver Module (RRX) 16/35 Siren Control Module (SCM)	- -	10
F57	3/9 Contact brake light 17/13 Data link connector	- -	15
F58	2/64 Relay, auxiliary lights 4/113 Gas Discharge Lamp Module (GDL), slave, right 10/2 Lamp housing, front right	3/60 - -	7.5
F59	4/112 Gas Discharge Lamp Module (GDL), master, left 10/1 Lamp housing, front left	- -	7.5
F60	9/12 Seat Heating Module (SHM), driver's side	-	15
F61	9/13 Seat Heating Module (SHM), passenger side	-	15
continues			

Central Electronic Module (CEM) F62-F69



4/56 Central Electronic Module (CEM)

No.	Fuse function	via	A
F62	4/33 Sunroof control module	-	20
F63	3/129 Right rear door module (RDM)	-	20
F64	10/245 Lock indicator, left door, C70 10/246 Lock indicator, right door, C70 16/145 Remote Digital Audio Receiver (RDAR)	- - -	5
F65	2/157 Relay, subwoofer control module 7/182 Remote control IR sensor, RTI 16/46 RTI Display 16/105 Audio module (AUD) 16/150 AM/FM antenna and amplifier, right rear fender, C70 16/150 Window antenna amplifier, left, C30	- - - - - -	5
F66	3/112 Climate Control Module (CCM) 3/281 Infotainment Control Module (ICM) 16/1 Integrated Audio Module (IAM)	- - -	10
F68	3/254 Steering Wheel Module (SWM)	-	5
F69	3/112 Climate Control Module (CCM) 3/286 Switch BLIS/PAS/DRIVE 6/48 Damper Motor Module (DMM), recirculation 6/95 Damper Motor Module (DMM), temperature, left side 6/96 Damper Motor Module (DMM), temperature, right side 6/102 Damper Motor Module (DMM), defroster 6/103 Damper Motor Module (DMM), floor/ventilation 7/149 Rain Sensor Module (RSM) 7/159 Air Quality Sensor (AQS)	- - - - - - - - - -	5
continues			