

Volvo C30 S40 04 V50 C70 06 2010 Wiring Diagram

Full download: <http://manualplace.com/download/volvo-c30-s40-04-v50-c70-06-2010-wiring-diagram/>



VOLVO C30, S40 (04-), V50 & C70 (06-)

WIRING DIAGRAM 2010



TP 39150201

Vehicles with SRS (Airbag)/SIPS bag/IC (Inflatable Curtain)

Warning!

Extra caution must be exercised when working on vehicles equipped with SRS/SIPS bag/IC in order to avoid:

1. Personal injuries when performing repair work.
2. Damage or malfunction of the SRS/SIPS bag/IC system.

Work involving the SRS/SIPS bag/IC systems or other components in the vehicle that may affect the SRS/SIPS bag/IC systems must always be performed by an authorized Volvo workshop.

In case of doubt, consult the SRS and SIPS bag/IC service manual.

Is the vehicle equipped with SRS/SIPS bag/IC?

Vehicles with SRS are most easily recognized by the letters SRS in the center of the steering wheel. If the vehicle also has a passenger side airbag, the letters SRS are stamped on the dashboard above the glove compartment. SRS vehicles from 1993 and onward also have explosive seat belt tensioners. SIPS bags are only installed on SRS vehicles from 1995 and onward. SIPS bag decals are located on the windshield and seat compartment. Vehicles with IC can be recognized by the letters IC on the C/D panel (4 door) or the B panel (5 door).

General recommendations

- Be especially careful when working on or around SRS, SIPS, and IC components.
- Make sure that no wires are pinched, frayed, or pierced.
- Never install accessories by the sensors.
- Where applicable, work on the steering wheel, steering shaft, or steering gear must be done in accordance with the methods in the SRS section of VIDA.
- Certain components of the aforementioned systems must be grounded while working. Read the appropriate sections in VIDA.
- Install no accessories in the areas between the A and B posts, the B and C posts, and the C and D posts.

Test terminal

Data link connector in the passenger compartment.

Changes introduced up to and including December 2008

Any changes made to the vehicles after this date are not included in the manual. If necessary refer to service bulletins.

Volvo models are sold in versions adapted for different markets. These adaptations depend on factors such as legal requirements, taxation, and market demands.

This manual may therefore include illustrations and text that do not apply to the vehicles in your country.

Ordering:

Electronic Wiring Diagrams (EWD) can be ordered from Technical Information Shop (TIS) at

www.volvocarstechinfo.ford.com/vss

We retain the right to make modifications.

Table of Contents 1:3

Vehicles with SRS (Airbag)/SIPS bag/IC (Inflatable Curtain)	2
Abbreviations	6
How to use the wiring diagrams 1:2.....	7
Electrical distribution 1:2.....	9

Fuses

Engine compartment distribution box F1-F7	11
Distribution box in engine compartment F8-F16	12
Distribution box in engine compartment F17-F25	13
Distribution box in engine compartment F26-F32	14
Distribution box in engine compartment F33-F34	15
Engine compartment distribution box F35-FH1	16
Main fuse box battery	17
Fuse holder midi	18
Central Electronic Module (CEM) F43-F48	19
Central Electronic Module (CEM) F49-F61	20
Central Electronic Module (CEM) F62-F69	21
Central Electronic Module (CEM) F73-F85	22
Central Electronic Module (CEM) F86	23
Battery PF1-PF2	24

Relays

Ignition switch and relays	25
Distribution box in engine compartment R1-R14	26
Engine compartment	27
Central electronic module (CEM) R15-R18	28
Central electronic module (CEM) R1-R11B	29
Other relays	30

Ground connections

Overview	31
31/3 - 31/10 cont.	32
31/10 - 31/11	33
31/12 - 31/66 cont.	34
31/66 - 31/80	35
31/83 - 31/102	36
31/107 - 31/114	37
31/115 - 31/160	38
Ground connections in chassis	39

Control modules

Overview locations	40
Overview designations	41
Central electronic module (CEM) 1:2	42
Data communication, Low speed CAN 1:2	44
Data communication, High speed CAN	46
Data communication MOST	47
Data communication LIN 1:2	48
Ignition switch (SCU)	50
Accessory electronic module (AEM)	51

Group 23 Fuel system

Engine management system, 4-Cyl. 1.6l 1:2	52
Engine management system, 4-Cyl. 1.8l & 2.0l 1:2	54
Engine management system, 5-Cyl. 1:2	56
Engine management system, 5-Cyl. Turbo 1:2	58
Engine management system Diesel, 4-Cyl. 1.6l 1:2	60
Engine management system Diesel, 4-Cyl. 2.0l 1:2	62
Engine management system Diesel, 4-Cyl. 2.0l	
MPS6 1:2	64
Engine management system Diesel, 5-Cyl. 2.4l 1:3	66
Emission control 4-Cyl. 1.6l	69
Emission control, 4-Cyl. 1.8l & 2.0l	70
Emission control 5-Cyl.	71
Emission control 5-Cyl. Turbo	72

Group 26 Cooling system

Cooling fan	73
-------------------	----

Group 27 Engine controls

Cruise control 4-Cyl.	74
Cruise control 5-Cyl.	75
Start/stop function	76

Group 32 Alternator and voltage regulator

Power supply 4-Cyl.	77
Power supply 5-Cyl.	78

Group 33 Starting system

Starting system 4-Cyl.	79
Starting system 5-Cyl.	80

Group 35 Lighting

High and low beam	81
Active headlights, (Dual Xenon) S40/V50	82
High and low beam, (Dual Xenon) C30/C70	83
Running/Parking lights, Tail lights S40/V50	84
Running/Parking lights, Tail lights (Dual Xenon) S40/V50	85
Running/Parking lights, Tail lights C30/C70	86
Running/Parking lights, Tail lights (Dual Xenon) C30/C70	87
Brake lights S40/V50	88
Brake lights C30/C70	89
Reversing lights S40/V50	90
Reversing lights C30/C70	91
Fog lights S40/V50	92
Fog lights C30/C70	93
Fog lights LHD Japan S40/V50	94
Fog lights LHD Japan C30/C70	95
Follow-me-home lighting	96
Interior lighting C30/S40/V50 1:2	97
Interior lighting C70 1:2	99
Instrument and control illumination	101
Auxiliary lights	102

Table of Contents 2:3

Group 36 Additional electrical equipment

Direction indicators and hazard warning flashers S40/V50	103
Direction indicators and hazard warning flashers (Dual Xenon) S40/V50	104
Direction indicators and hazard warning flashers C30/C70	105
Direction indicators and hazard warning flashers (Dual Xenon) C30/C70	106
Wiper/washer windshield	107
Washer headlights	108
Wiper/washer rear window C30/V50	109
Rain sensor	110
Keyless vehicle C30/S40/V50 1:2	111
Keyless vehicle C70 1:2	113
Parking assistance	115
Immobilizer/Steering column lock module (SCL)	116
Horn	117
Anti-theft alarm C30	118
Anti-theft alarm S40/V50	119
Anti-theft alarm C70	120
Alcolock	121
Accessory Electronic Module (AEM) C30	122
Accessory Electronic Module (AEM), S40/V50/C70	123

Group 37 Wiring and fuses

12V outlet C30/S40/V50	124
12V outlet, C70	125
Diagnostics system	126
Cable harness towbar/tow hitch 4-pin S40/V50	127
Cable harness towbar/tow hitch 4-pin C30/C70	128
Cable harness towbar/tow hitch 7-pin S40/V50	129
Cable harness towbar/tow hitch 7-pin C30/C70	130
Cable harness towbar/tow hitch 13-pin S40/V50/C70	131
Cable harness towbar/tow hitch 13-pin C30	132
USB unit (AUU)	133

Group 38 Instruments

Driver information module	134
Seat belt reminder C30/S40/V50	135
Seat belt reminder C70	136

Group 39 Other

Audio C30/S40/V50	137
Audio C70	138
Audio High Performance/Premium Sound C30/S40/V50 1:2	139
Audio High Performance/Premium Sound C70 1:2 ...	141

Cellular phone 1:2	143
Multimedia & Traffic information	145
Satellite radio	146
Subwoofer	147
Portable navigation system	148
Bluetooth	149
Bluetooth Handsfree, internal amplifier	150
Bluetooth Handsfree, external amplifier	151
Bluetooth Handsfree & AUU, internal amplifier	152
Bluetooth Handsfree & AUU, external amplifier	153
Bluetooth Handsfree with AEM, internal amplifier, LHD	154
Bluetooth Handsfree with AEM, internal amplifier, RHD	155
Bluetooth Handsfree with AEM, external amplifier, LHD	156
Bluetooth Handsfree with AEM, external amplifier, RHD	157

Group 43 Transmission

Automatic transmission AW55-51	158
Transmission M66	159
Automatic transmission MPS6	160
Differential Electronic Module (DEM) S40/V50	161

Group 59 Brake system

Brake control system & STC	162
Brake control system & DSTC	163

Group 64 Steering

Speed dependent power steering	164
--------------------------------------	-----

Group 83 Doors and openings

Central locking front doors C30/S40/V50	165
Central locking rear doors S40/V50	166
Central locking C70	167
Central locking trunk lid/tailgate C30	168
Central locking trunk lid/tailgate S40/V50	169
Central locking trunk lid/tailgate C70	170
Central locking storage compartment C70	171
Child safety lock S40/V50	172
Central locking fuel filler flap	173
Signal receiver central locking C30/S40/V50	174
Signal receiver central locking C70	175
Power windows front doors C30/S40/V50	176
Power windows C70	177
Power windows rear doors S40/V50	178
Power sunroof C30/S40/V50	179
Power roof C70	180

Table of Contents 3:3

Group 84 Exterior decorative elements, etc.

Power door mirrors C30/S40/V50.....	181
Power door mirrors C70.....	182
Heated door mirrors.....	183
Rear window defroster.....	184
Blind spot information system.....	185

Group 85 Interior equipment

Power driver's seat with memory function LHD S40/V50.....	186
Power driver's seat with memory function RHD S40/V50.....	187
Power driver's seat with memory function LHD C30/C70.....	188
Power driver's seat with memory function RHD C30/C70.....	189
Power passenger seat with memory function LHD C30/C70.....	190
Power passenger seat with memory function RHD C30/C70.....	191
Power driver's seat LHD S40/V50.....	192
Power driver's seat RHD S40/V50.....	193
Power passenger seat LHD S40/V50.....	194

Power passenger seat RHD S40/V50.....	195
Heated seats.....	196

Group 87 Climate control system

Climate control system, 4-Cyl. Gasoline 1:2.....	197
Climate control system, Diesel 1.6l & 2.0l 1:2.....	199
Climate control system, 5-Cyl. 1:2.....	201
Climate control system PTC-elements.....	203
Parking heater, auxiliary heater.....	204
Relay, electric engine heater.....	205
Electric engine heater Flexifuel.....	206

Group 88 Internal equipment

Supplemental restraint system C30/S40/V50 1:2.....	207
Supplemental restraint system C70 1:2.....	209
Remote controlled garage door opening.....	211
Rear-view mirror with automatic dimming.....	212

Index 1:2.....	213
-----------------------	------------

List of components 1:6.....	215
------------------------------------	------------

Explanations

Abbreviations

Groups

Group 23	= Fuel system
Group 26	= Cooling system
Group 27	= Engine controls
Group 32	= Alternator and voltage regulator
Group 33	= Starting system
Group 35	= Lighting
Group 36	= Additional electrical equipment
Group 37	= Wiring and fuses
Group 38	= Instruments
Group 39	= Other
Group 43	= Transmission
Group 59	= Brake system
Group 64	= Steering
Group 83	= Doors and openings
Group 84	= Exterior decorative elements, etc.
Group 85	= Interior equipment
Group 87	= Climate control system
Group 88	= Internal equipment

Designations ignition switch

X	= Accessories (audio position)
S	= Powered upon insertion of key
15	= Contact remains connected during start
15I	= Contact is broken while starting
30	= Constant power from the battery
50	= Start

Countries/Markets

A	= Austria
AUS	= Australia
B	= Belgium
CDN	= Canada
CH	= Switzerland
D	= Germany
DK	= Denmark
E	= Spain
EU/OS	= Markets outside USA and Canada
FIN	= Finland
GB	= Great Britain
ISR	= Israel
J	= Japan
KOR	= Korea
N	= Norway
NL	= Netherlands
S	= Sweden
USA	= United States of America
WEU	= Western Europe

Other

ACC	= Accessories
Ag	= Silver plated
Au	= Gold plated
AUTO	= Automatic transmission
AWD	= All wheel drive
CAN	= CAN communication
D	= Diesel
DPY	= Display
ECC	= Electronic climate control system
ETA	= Throttle unit
EXT. X	= Extended X-feed
GDL	= Gas discharge lamp
HISPEED	= High speed data bus
IR	= Infrared sensor
LIN	= LIN communication
LHD	= Left-hand drive
LOSPEED	= Low speed data bus
MAN	= Manual transmission
MEMORY	= Memory driver's seat
MMS	= Mass Movement Sensor
PETROL	= Gasoline
RHD	= Right-hand drive
SCR	= Screened
SRS	= Airbag
T	= Turbocharged engine
W/O	= Without
2WD	= Two-wheel drive
4CYL, I4	= 4-cylinder engine
5CYL, I5	= 5-cylinder engine

Colors

BK, SB	= Black
BN	= Brown
BU, BL	= Blue
GN	= Green
GY, GR	= Gray
LGN	= Light Green
OG, OR	= Orange
PK, P	= Pink
RD, R	= Red
VT, VO	= Violet
WH, W	= White
YE, Y	= Yellow

How to use the wiring diagrams 1:2

The descriptions below apply in general to all wiring diagram manuals, although not all sections are necessarily contained in this manual.

A. Component designation

Every component has a component designation that consists of two parts.

The first part is a type number that describes the type of component in question, for example 3/xx.

The second part of the designation is a serial number, e.g. x/2.

Together, this constitutes a component designation, e.g. 3/2.

At the end of the manual is a list of components, where, with the help of the component designation, you can read off the name of the component, for example, 3/2 = light switch.

List of type numbers

The list shows which type of component that respective type numbers refer to, for example, 3/x = switch, 6/x = electric motor, etc.

1	Battery
2	Relay
3	Switch
4	Control module
5	Driver information module
6	Electric motor
7	Sensor
8	Actuator
9	Heating element
10	Light
11	Fuse
15	Electrical distribution rail/box
16	Audio
17	Service/diagnostics
18	Contact reel
19	Meter
20	Ignition component/shunt
27	Optics
31	Ground connection
63	Branching point
64	Connector

B. Branching points

The wiring diagrams contain numbered junction points, e.g. 63/352.

This manual contains a section with a list of branching points. This list shows all the components that are connected to each branching point.

The location of the branching points is shown in the "Cable harness routing in vehicle" section.

C. Connectors

Connectors provide a bridge between two cable harnesses and are described in the "Connectors" section.

D. Electrical distribution

Operation of the fuses and relays is shown in the "Electrical distribution" section.

E. Data communication

Today's cars contain CAN and MOST networks that transfer information. Connections to these networks are not shown in their entirety in the respective wiring diagram. Complete information on CAN and MOST communication is found in the section "Control modules".

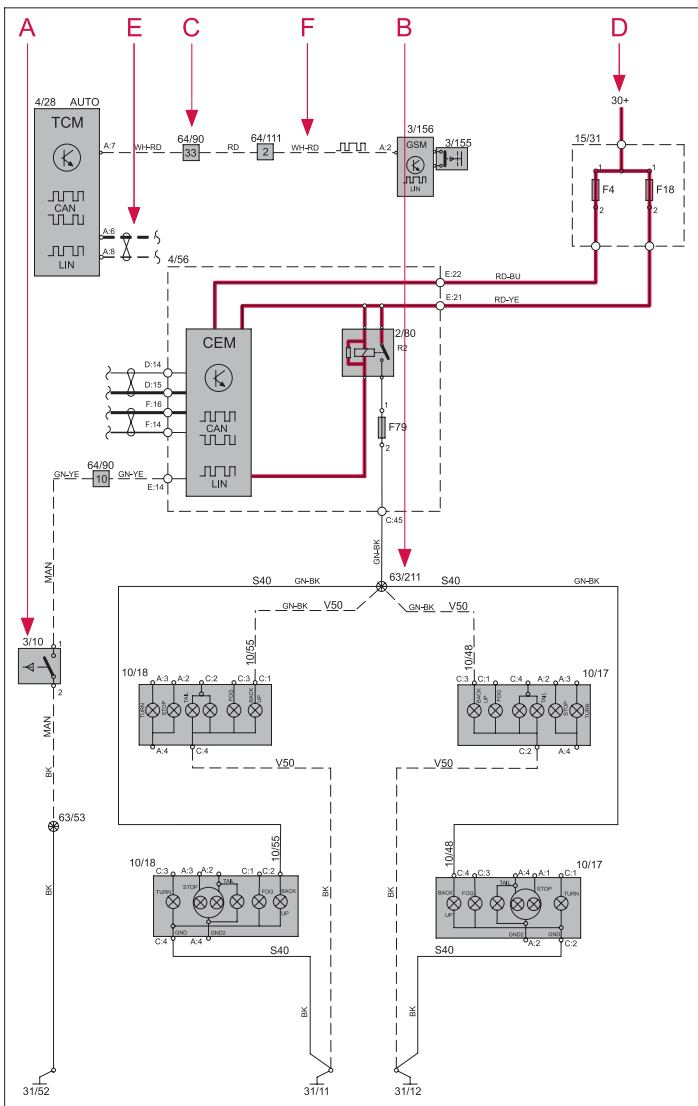
F. Abbreviations

A number of different abbreviations are used in the manual. These are explained in the section "Abbreviations".

G. Component location

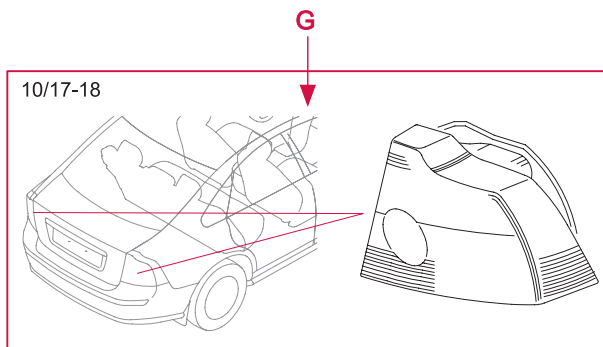
There is a section at the end of the manual in which the appearance and location of components is described in numerical order.

How to use the wiring diagrams 2:2



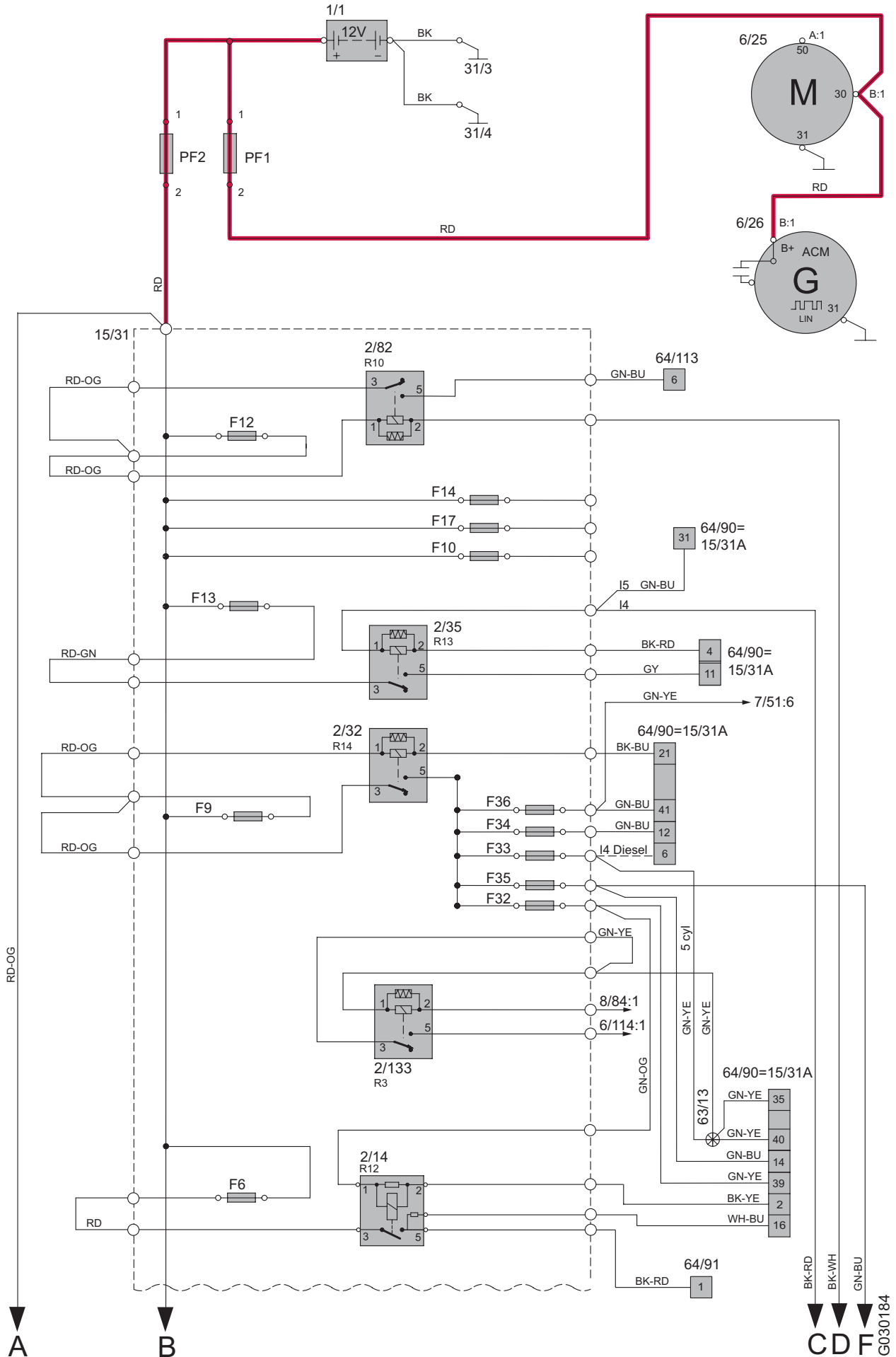
Explanation of symbols

- = System voltage
- = Ground connection via wiring
- = Ground connection in component/chassis
- = Screened wire
- = Junction point
- = Twisted cable
- = Electrical connection
- = Variant
- = CAN communication
- = CAN high data signal (CAN H)
- = CAN low data signal (CAN L)
- = LIN communication
- = LIN communication
- = DIN cable, coaxial cable, etc.
- = Data communication
- = CAN communication
- = MOST communication
- = MOST communication
- = Connection with distribution box
- = Further connection to...
- = Connector between cable harnesses
- = Connector connected in component

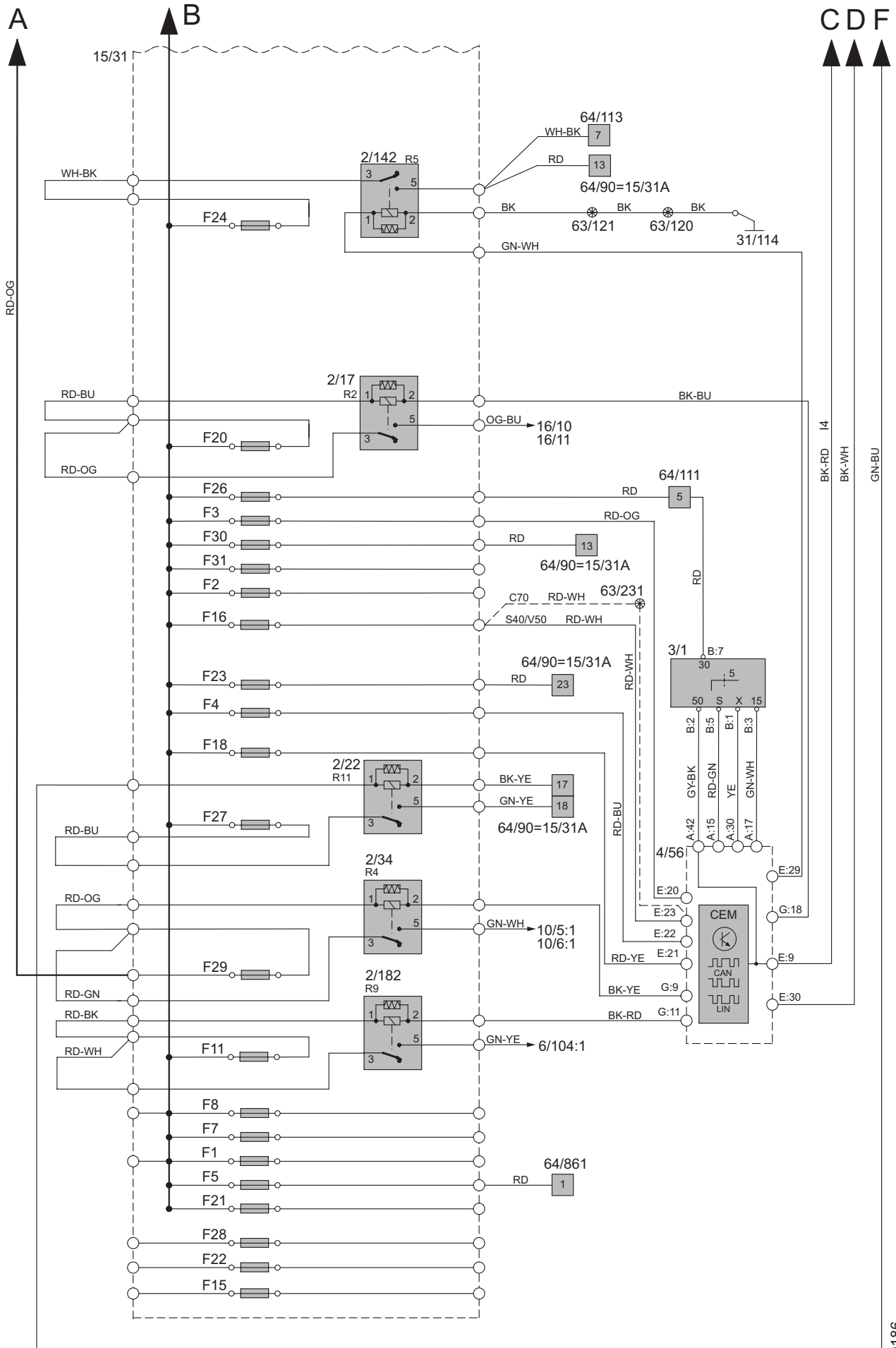


G030169

Electrical distribution 1:2 Overview



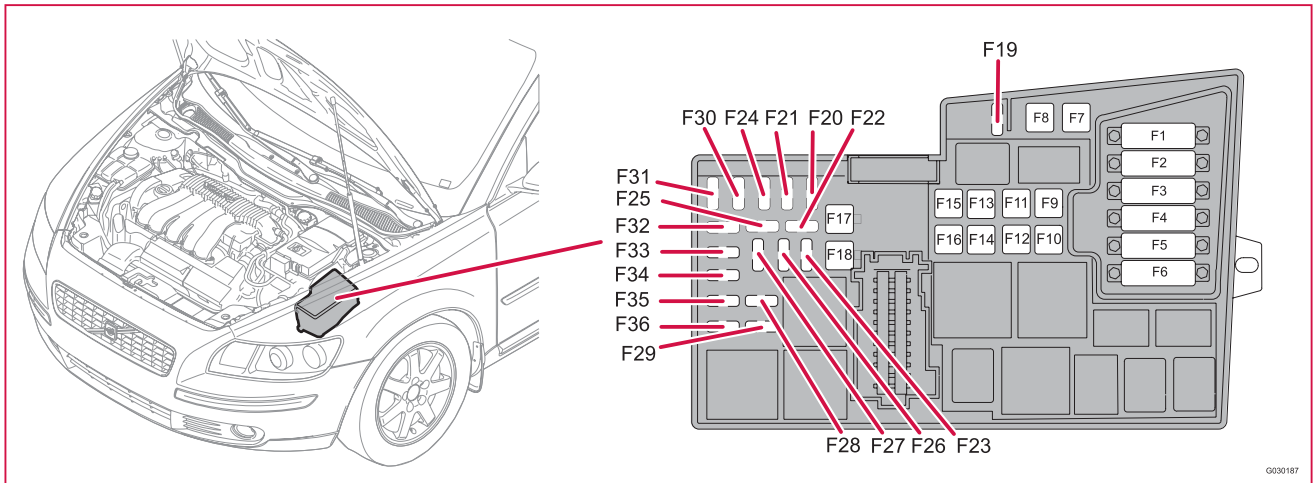
Electrical distribution 2:2 Overview



G030186

Fuses

Engine compartment distribution box F1-F7



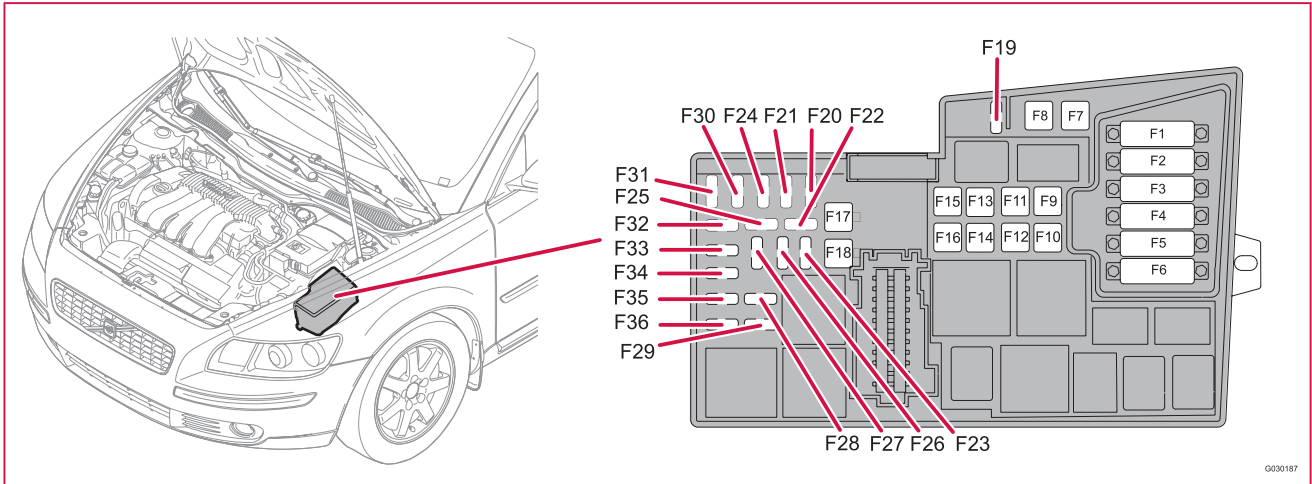
0030187

15/31 Distribution box in engine compartment

No.	Fuse function	via	A
F1	4/71 Cooling fan control module	-	50
F2	6/71 Electrical power steering module (EPS)	-	80
F3	2/193 Relay, comfort functions	-	60
	4/56 Central electronic module (CEM)	2/193	
	F45 Fuse in the Central Electronic Module (CEM)	2/193	
	F48-F49 Fuses in the Central Electronic Module (CEM)	2/193	
	F60-F61 Fuses in the Central Electronic Module (CEM)	2/193	
	F62-F63 Fuses in the Central Electronic Module (CEM)	-	
	F68-F69 Fuses in the Central Electronic Module (CEM)	2/193	
	F80 Fuse in the Central Electronic Module (CEM)	2/193	
	F84-F85 Fuses in the Central Electronic Module (CEM)	-	
F4	2/63 Relay, high beam	-	60
	4/56 Central electronic module (CEM)	-	
	F55 Fuses in the Central Electronic Module (CEM)	-	
	F58-F59 Fuses in the Central Electronic Module (CEM)	2/63	
	F74 Fuses in the Central Electronic Module (CEM)	-	
	F77 Fuses in the Central Electronic Module (CEM)	-	
F5	9/41 PTC-element	-	80
F6	4/109 Glow plug control module (GCU), 5-Cyl. Diesel	-	70
	20/23-26 Glow plug, 4-Cyl. Diesel	2/14	60
F7	4/16 Brake Control Module (BCM), pump	-	30
continues			

Fuses

Distribution box in engine compartment F8-F16

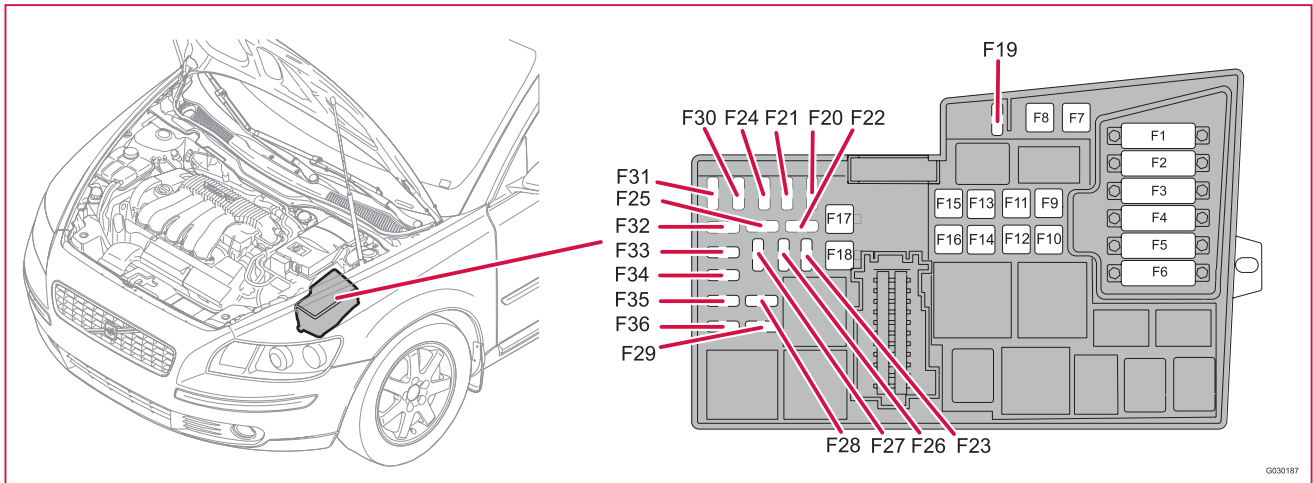


15/31 Distribution box in engine compartment

No.	Fuse function	via	A
F8	4/16 Brake Control Module (BCM), valves	-	20
F9	2/32 Main relay, engine management system F32-F36 Fuses in the engine compartment distribution box	- 2/32	30
F10	4/31 Fan control module	-	40
F11	2/182 Relay, headlight washer motor 4/59 Convertible Roof Module (CRM), C70 6/104 Pump, high pressure headlight washer	- - 2/182	20
F12	2/82 Relay, heated rear window 9/2 Rear window defroster	- 2/82, 16/141	30
F13	6/25 Starter motor	2/35	30
F14	4/110 Trailer module (TRM)	-	40
F15	4/59 Convertible Roof Module (CRM), C70		30
F16	2/159 Infotainment relay, S40/V50/C30 16/105 Audio module (AUD), S40/V50/C30 F22 Fuse, engine compartment distribution box, S40/V50/C30 F43 Fuse in the Central Electronic Module (CEM), S40/V50/C30 F64 Fuse in the Central Electronic Module (CEM), S40/V50/C30 F65-F67 Fuses in the Central Electronic Module (CEM), S40/V50/C30	- - - - - 2/159	30
continues			

Fuses

Distribution box in engine compartment F17-F25

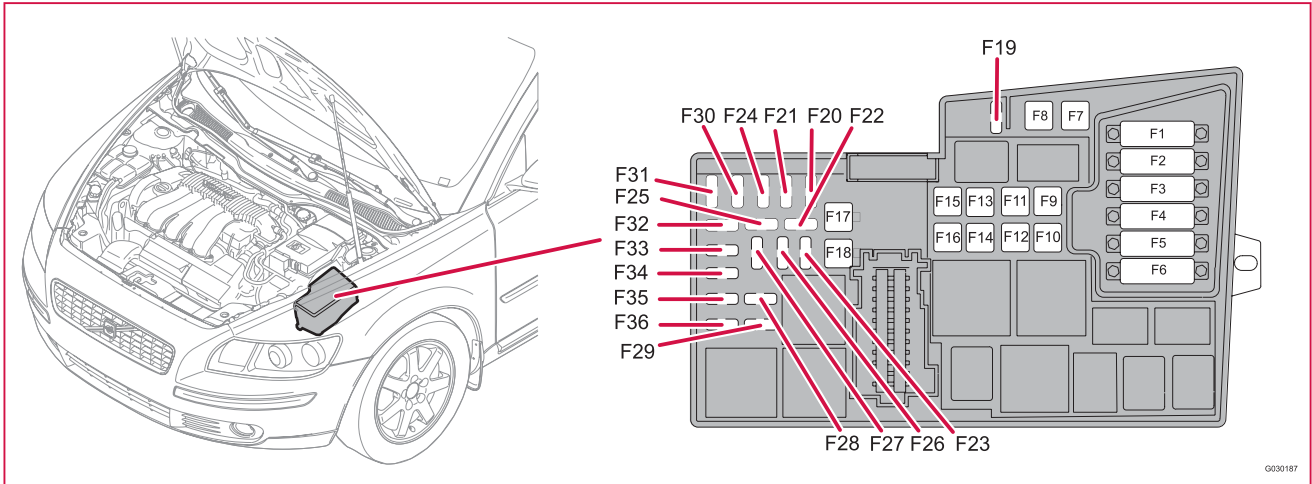


15/31 Distribution box in engine compartment

No.	Fuse function	via	A
F17	6/1 Wiper motor module (WMM)	-	30
F18	2/80 Relay, reversing light	-	40
	2/89 Relay, interior lighting	-	
	4/56 Central electronic module (CEM)	-	
	F46-F47 Fuses in the Central Electronic Module (CEM)	2/89	
	F56-F57 Fuses in the Central Electronic Module (CEM)	-	
	F79 Fuse in the Central Electronic Module (CEM)	2/80	
	F81-F83 Fuses in the Central Electronic Module (CEM)	-	
	F86 Fuse in the Central Electronic Module (CEM)	2/89	
F20	2/17 Relay, horn	-	15
	16/10 Horn 1	2/17	
	16/11 Horn 2	2/17	
F21	4/7 Combustion preheater module (CPM)	-	20
F22	16/79 Subwoofer module (SUB)	-	25
F23	4/28 Transmission Control Module (TCM), MPS6	-	15
	4/28 Transmission Control Module (TCM), 5-Cyl.	-	
	4/46 Engine Control Module (ECM), 5-Cyl.	-	
F24	9/32 PTC resistor, crankcase ventilation, 5-Cyl. Diesel	2/142	20
	9/38 Heated fuel filter, 5-Cyl. Diesel	2/142	
F25	4/56 Central Electronic Module (CEM), 1.6l Diesel	-	10
continues			

Fuses

Distribution box in engine compartment F26-F32

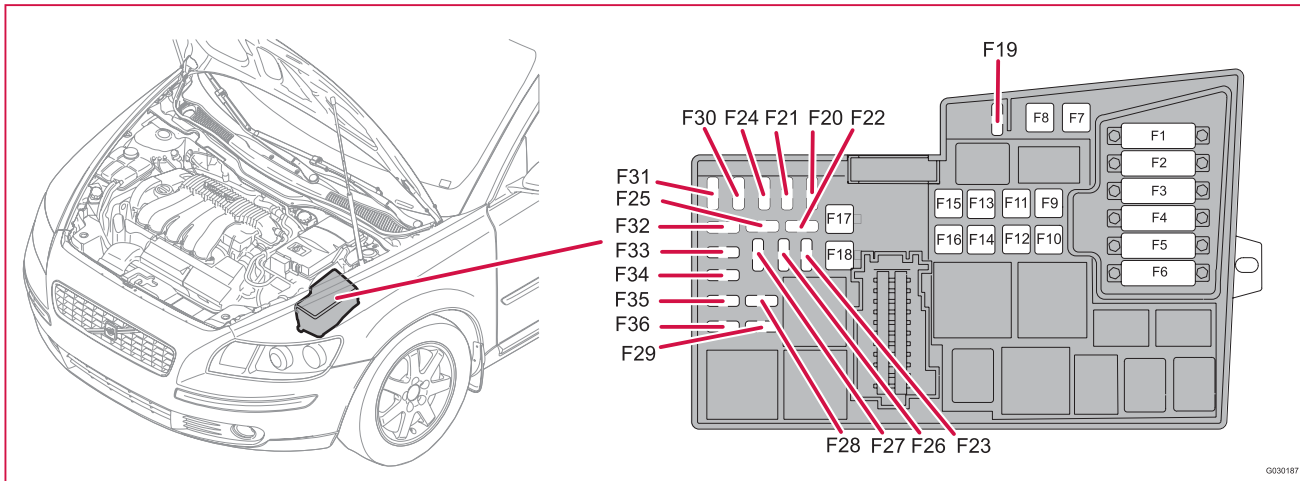


15/31 Distribution box in engine compartment

No.	Fuse function	via	A
F26	2/35 Relay, starter motor	3/1	15
	3/1 Start control module (SCU)	-	
	4/56 Central electronic module (CEM)	3/1	
	F44 Fuse in the Central Electronic Module (CEM)	3/1	
	F51-F54 Fuses in the Central Electronic Module (CEM)	3/1	
	F73 Fuse in the Central Electronic Module (CEM)	3/1	
F27	8/3 Electromagnetic clutch, climate control system	2/22	10
F29	2/34 Relay, front fog lights	-	15
	10/5 Fog light, front left	2/34	
	10/6 Fog light, front right	2/34	
F30	4/46 Engine Control Module (ECM), 2.0l Diesel, 1.6l Gasoline	-	3
	6/73 Coolant pump, 1.6l Diesel	2/239	10
F31	6/26 Alternator, 4-Cyl.	-	10
F32	2/14 Relay, glow plug system	-	10
	6/143 Regulator motor, Turbo	-	
	7/15 Front heated oxygen sensor, 4-Cyl.	-	
	7/17 Mass air flow sensor (MAF), 5-Cyl. Diesel	-	
	7/82 Rear heated oxygen sensor, 4-Cyl.	-	
	8/6-8/10 Injection valves, 5-Cyl.	-	
	8/121 Coolant valve, 2.0l Diesel	-	
	8/122 Bypass valve, intercooler, 1.6l Diesel	-	
continues			

Fuses

Distribution box in engine compartment F33-F34

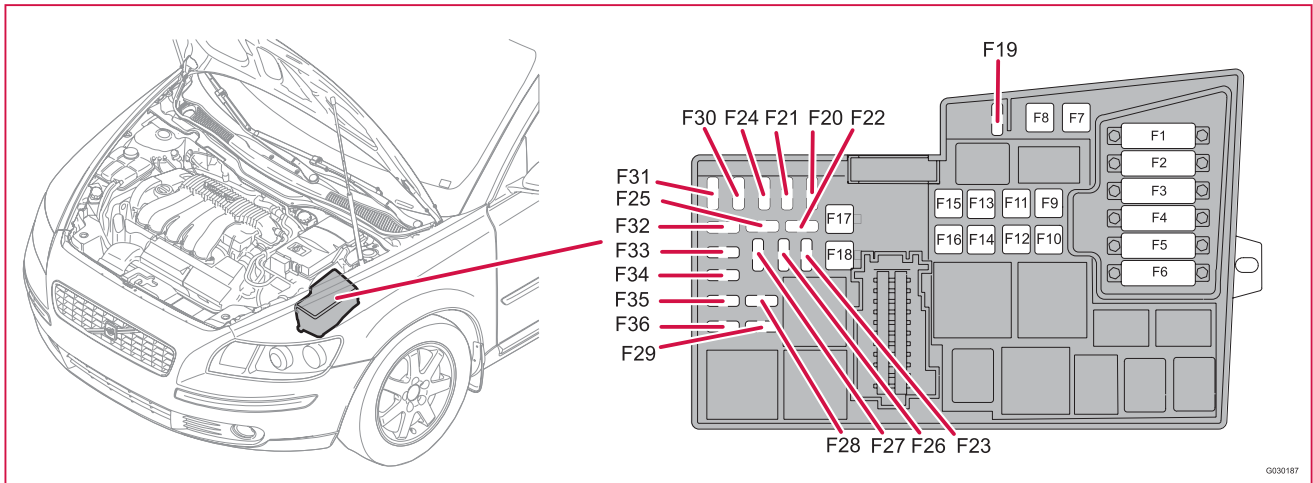


15/31 Distribution box in engine compartment

No.	Fuse function	via	A	
F33	2/133	Relay vacuum pump	-	20
	4/46	Engine control module (ECM), 5-Cyl. Diesel	-	
	6/114	Vacuum pump, 5-Cyl.	2/133	
	7/15	Front heated oxygen sensor, 5-Cyl.	-	
	7/82	Rear heated oxygen sensor, 5-Cyl. Turbo	-	
	7/186	Heated oxygen sensor, rear, 5-Cyl. without Turbo	-	
	7/187	Heated oxygen sensor, center, 5-Cyl. without Turbo	-	
	8/84	Switch, vacuum pump	-	
	9/32	PTC resistor, crankcase ventilation, 2.0l. Diesel	-	
9/38	Heated fuel filter, 4-Cyl. Diesel	-		
F34	2/35	Relay starter motor, 1.6l Diesel	-	10
	2/242	Relay isolator battery, 1.6l Diesel	-	
	2/243	Relay isolator secondary battery, 1.6l Diesel	-	
	2/239	Relay coolant pump, 1.6l Diesel	-	
	4/46	Engine control module (ECM), 1.6l Diesel	-	
	4/109	Glow plug control module (GCU), 5-Cyl. Diesel	-	
	8/6-8/9	Injection valves, 1.6l.	-	
	8/77	Fuel volume control valve, 2.0l Diesel	-	
	8/111	Fuel flow control valve, 1.6l Diesel	-	
	8/119	Pressure monitor, climate control system, 5-Cyl.	-	
	8/120	EGR valve, 5-Cyl. Diesel	-	
	8/133	Control valve fuel pressure	-	
	20/3 -20/7	Spark plug and ignition coil	-	
20/17	Transformer, ignition coils, 1.6l	-		
continues				

Fuses

Engine compartment distribution box F35-FH1

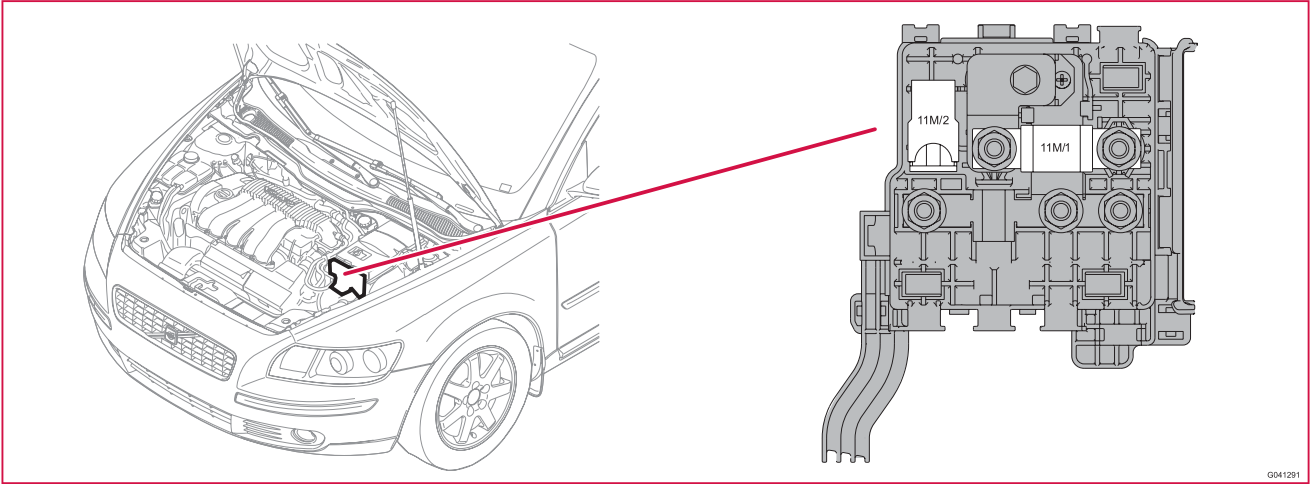


15/31 Distribution box in engine compartment

No.	Fuse function	via	A	
F35	2/22	Relay, climate control system	-	15
	4/46	Engine control module (ECM), 5-Cyl. Diesel	-	
	6/67	Fuel leakage control pump, 5-Cyl.	2/22	
	6/99	EGR motor, 1.6l Diesel, 1.8l Gasoline	-	
	7/17	Mass air flow sensor (MAF), 5-Cyl. Gasoline, 4-Cyl. Diesel	-	
	7/192	Water detection sensor, 4-Cyl. Diesel	-	
	8/6-8/9	Injection valves, 1.8l.	-	
	8/18	EVAP valve, Gasoline	-	
	8/19	Solenoid, variable valve timing, intake, 5-Cyl. Gasoline	-	
	8/28	Turbocharger control valve, 2.5l Turbo	-	
	8/45	Vacuum valve, variable intake manifold, 1.8l	-	
	8/65	Pressure switch, power steering, 1.6l	-	
	8/77	Fuel volume control valve, 2.0l Diesel	-	
	8/81	Solenoid, variable valve timing, exhaust, 2.5l Turbo	-	
	8/82	Solenoid, variable turbo geometry, 4-Cyl. Diesel	-	
8/114	Valve, air/fuel mixing, 1.8l	-		
8/132	Control valve, intake, 2.0l Diesel	-		
9/32	PTC resistor, crankcase ventilation 5-Cyl. Gasoline	-		
F36	4/46	Engine control module (ECM)	-	10
	7/15	Front heated oxygen sensor, 5-Cyl. Diesel	-	
	7/51	Accelerator pedal sensor	-	
FH1	10/65	Auxiliary lights, front right	2/64	20
	10/69	Auxiliary lights, front left	2/64	

Fuses

Main fuse box battery

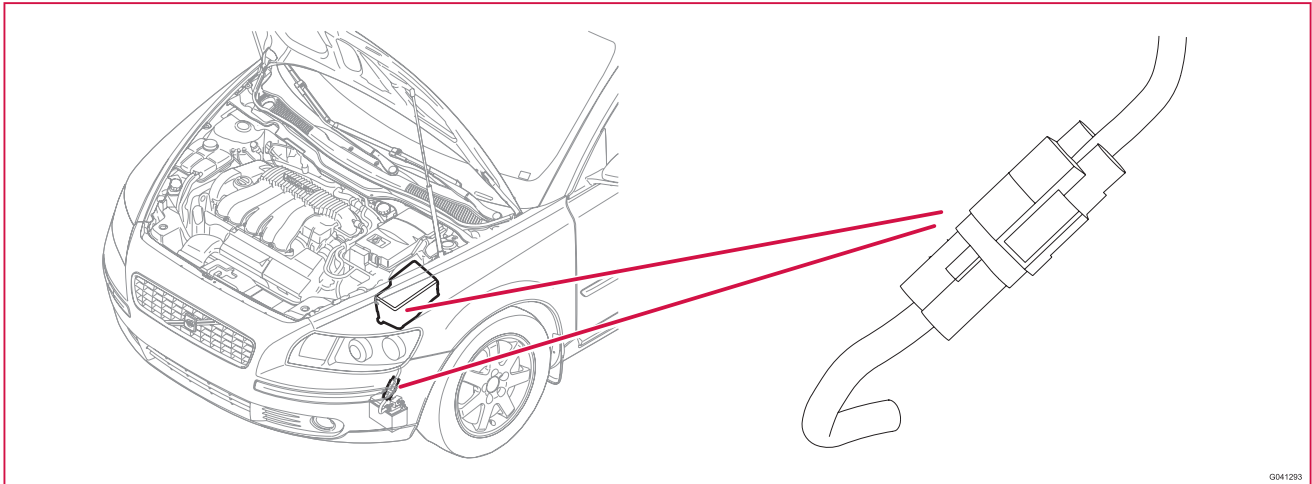


15/34 Main fuse box battery

No.	Fuse function	via	A
11M/1	6/26 Alternator	2/242	125
	15/31 Distribution box in engine compartment	-	
11M/2	7/240 Sensor battery monitoring	-	15

Fuses

Fuse holder midi



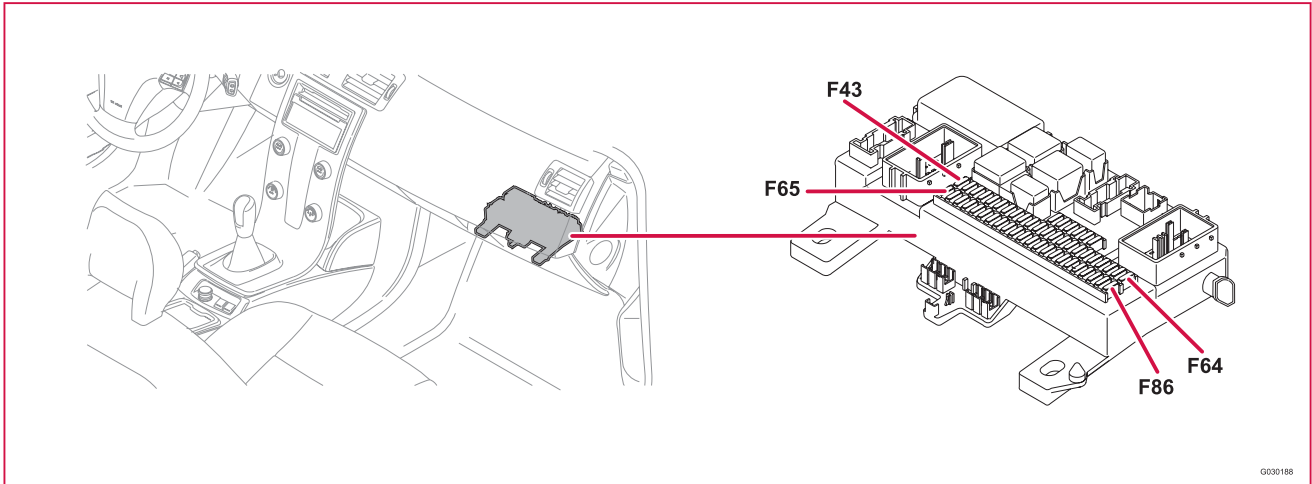
GS41293

15/37 Fuse holder midi

No.	Fuse function	via	A
	Cable fuse by secondary battery	-	70
	Cable fuse in distribution box in engine compartment	-	70

Fuses

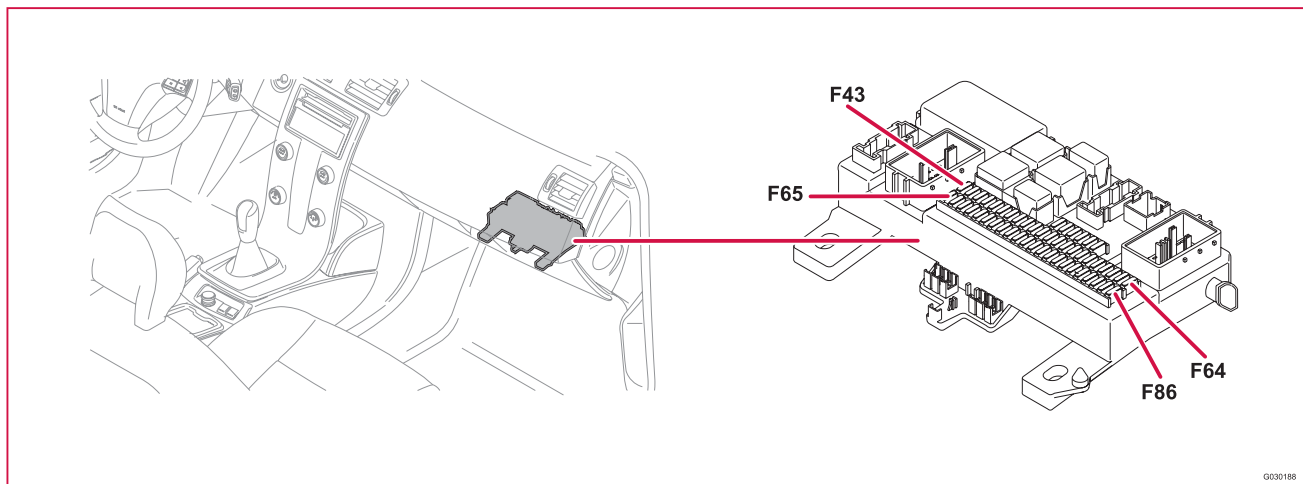
Central Electronic Module (CEM) F43-F48



4/56 Central Electronic Module (CEM)

No.	Fuse function	via	A	
F43	4/124	Accessory USB unit (AUU)	-	15
	16/1	Integrated Audio Module (IAM)	-	
	16/46	RTI Display	-	
	16/60	Phone module (PHM)	-	
	16/108	Multimedia module (MMM)	-	
	16/147	Bluetooth phone module (BPM)	-	
	17/42	USB-port	-	
F44	4/46	Engine Control Module (ECM), 5-Cyl.	-	10
	4/9	Supplemental restraint system module (SRS)	-	
F45	9/1	Front 12V outlet	-	15
	9/25	Rear 12V outlet	-	
F46	3/111	Switch unit, lights	-	5
	5/1	Driver Information Module (DIM)	-	
	10/1	Lamp housing, front left	-	
	10/2	Lamp housing, front right	-	
	10/29	Glove compartment lighting	-	
	10/97	Courtesy lighting, left	-	
	10/102	Courtesy lighting, right	-	
		Alcolock	-	
F47	4/76	Remote control unit for garage door opener	-	5
	10/22	Ceiling light	-	
	10/150	Rear reading light	-	
	10/114	Vanity mirror lighting, left, not C70	-	
	10/115	Vanity mirror lighting, right	-	
F48	2/16	Relay, rear window wiper	-	15
	2/92	Relay, windshield washer motor	-	
	2/93	Relay, rear window washer motor	-	
	6/2	Washer pump	2/92	
	6/32	Rear window wiper motor	2/16	
continues				

Central Electronic Module (CEM) F49-F61



4/56 Central Electronic Module (CEM)

No.	Fuse function	via	A
F49	4/9 Supplemental restraint system module (SRS)	-	10
	7/93 Occupant Weight Sensor (OWS), USA/CDN	-	
F51	2/142 Fuel filter preheater relay	-	10
	4/82 Differential electronic module (DEM)	-	
	9/41 PTC-element	-	
F52	4/16 Brake control module (BCM)	-	5
	4/28 Transmission control module (TCM)	-	
F53	6/71 Electrical power steering module (EPS)	-	10
F54	4/46 Engine Control Module (ECM), 5-Cyl.	-	10
	4/86 Parking assistance module (PAM)	-	
	4/112 Gas Discharge Lamp Module (GDL), master, left	-	
	4/113 Gas Discharge Lamp Module (GDL), slave, right	-	
	4/114 Headlamp Control Module (HCM)	-	
	10/1 Lamp housing, front left	-	
	10/2 Lamp housing, front right	-	
F55	4/93 Keyless vehicle module (KVM)	-	20
F56	4/119 Remote Keyless Entry (RKE)/Remote Receiver Module (RRX)	-	10
	16/35 Siren control module (SCM)	-	
F57	3/9 Contact brake light	-	15
	17/13 Data link connector	-	
F58	2/64 Relay auxiliary lights	3/60	7.5
	4/113 Gas Discharge Lamp Module (GDL), slave, right	-	
	10/2 Lamp housing, front right	-	
F59	4/112 Gas Discharge Lamp Module (GDL), master, left	-	7.5
	10/1 Lamp housing, front left	-	
F60	9/12 Seat Heating Module (SHM), driver's side	-	15
F61	9/13 Seat Heating Module (SHM), passenger side	-	15
continues			