

# Volvo Bus B7 B9 B12 Wiring Diagram 2

Full download: <http://manualplace.com/download/volvo-bus-b7-b9-b12-wiring-diagram-2/>

|                                  |          |                    |                          |         |  |
|----------------------------------|----------|--------------------|--------------------------|---------|--|
| Engineering Release Notice (ERN) | Location | Change Description | A = Added<br>U = Deleted | W = Was | Document Release Status<br><b>RELEASED</b> |
| D-13555-75                       |          |                    |                          |         | Date<br>2007-06-27<br>Modification Count   |

## WIRING DIAGRAM INDEX, B7, B9, B12

| NAME | DESCRIPTION                               | PAGE | NAME | DESCRIPTION                          | PAGE |
|------|---|------|------|--------------------------------------|------|
| AA   | IGNITION AND STARTING SYSTEM              | 02   | EO   | EBS, ELECTRONIC BRAKE SYSTEM         | 32   |
| AB   | POWER SUPPLY                              | 03   | EP   | EBS, ELECTRONIC BRAKE SYSTEM         | 33   |
| AC   | STARTER AND ALTERNATOR                    | 04   | EX   | PARKING BRAKE RELEASE, EGG           | 34   |
| AD   | STARTER AND ALTERNATOR FOR MD7            | 05   |      |                                      |      |
| AE   | STARTER AND ALTERNATOR FOR R9L, R9TL, B9R | 06   | FA   | ECS, AIR SUSPENSION                  | 35   |
| AF   | STARTER AND ALTERNATOR FOR MD12           | 07   | FB   | ECS, AIR SUSPENSION                  | 36   |
| AG   | START/STOP SWITCHES REAR                  | 08   | FC   | AMECU                                | 37   |
| AH   | STARTER AND ALTERNATOR D9B : B9S          | 09   | FO   | ELECTRONIC STEERED AXLE              | 38   |
|      |   |      |      |                                      |      |
| BA   | VECU, VEHICLE ECU                         | 10   | GA   | LCM, REAR LIGHTS                     | 39   |
| BB   | BBM, BODY BUILDER MODULE                  | 11   | GB   | LCM, FRONT LIGHTS                    | 40   |
| BC   | BBM, BODY BUILDER MODULE                  | 12   | GC   | LCM, REAR LIGHTS                     | 41   |
| BD   | FIRE ALARM                                | 13   | GD   | LCM, ARTIC LIGHTS                    | 42   |
|      |   |      | GE   | LCM, BI-XENON LIGHT                  | 43   |
| CA   | EECU D9B, ENGINE                          | 14   | GF   | LCM, BIARTIC LIGHTS                  | 44   |
| CB   | EECU G9A, ENGINE                          | 15   | GM   | WIPER, WASHER                        | 45   |
| CC   | EECU D12D, ENGINE                         | 16   | GN   | LCM, XENON LIGHT RELAY               | 46   |
| CG   | FTM, FUEL TANK MONITOR                    | 17   |      |                                      |      |
| CL   | BIO, BUS I/O                              | 18   | IS   | HORN SWM, STEERING WHEEL MODULE      | 47   |
| CM   | EECU DH12E, ENGINE                        | 19   | IU   | AUDIO                                | 48   |
| CN   | EECU D7E, ENGINE                          | 20   |      |                                      |      |
| CO   | OILMASTER                                 | 21   | LA   | HUBNER ECU 1 <sup>ST</sup> TURNTABLE | 49   |
| CP   | BIC                                       | 22   | LB   | HUBNER ECU 2 <sup>ND</sup> TURNTABLE | 50   |
| CU   | UDS, UREA DOSING SYSTEM                   | 23   |      |                                      |      |
| CV   | UDS, UREA DOSING SYSTEM                   | 24   | NA   | BIC, BUS INSTRUMENT CLUSTER          | 51   |
|      |   |      | NB   | TACHOGRAPH                           | 52   |
| DA   | G8-EGS                                    | 25   | NC   | DYNAFLEET                            | 53   |
| DB   | ECOMAT 4 ZF                               | 26   | ND   | FMS 200, FLEET MANAGEMENT SYSTEM     | 54   |
| DC   | VOITH, DIWA5                              | 27   | NE   | FMS GATEWAY, FLEET MANAGEMENT SYSTEM | 55   |
| DD   | ECOLIFE ZF                                | 28   |      |                                      |      |
| DM   | RECU, RETARDER                            | 29   | XC   | CAN SAE1939                          | 56   |
| DN   | I-SHIFT                                   | 30   | XD   | CAN SAE1587                          | 57   |
| DO   | VOITH, DIWA5 ARTIC                        | 31   | XE   | CAN SAE1587 UDS                      | 58   |
|      |   |      |      |                                      |      |
|      |   |      | ZC   | GROUND                               | 59   |

| VOLUME NO | CONTENT                         | PAGES |
|-----------|---------------------------------|-------|
| 01        | WIRING DIAGRAM                  | 1-59  |
| 02        | BILL OF MATERIAL/COMPONENT LIST | 1-84  |

The copying, distribution and utilization of this document as well as the communication of its contents to others without expressed authorization is prohibited. Offenders will be held liable for payment of damages. All rights reserved in the event of the grant of a patent, utility model or ornamental design registration.

Document Title  
**WIRING DIAGRAM  
B7, B9, B12**



Document Type  
**PRODUCT SCHEMATIC**

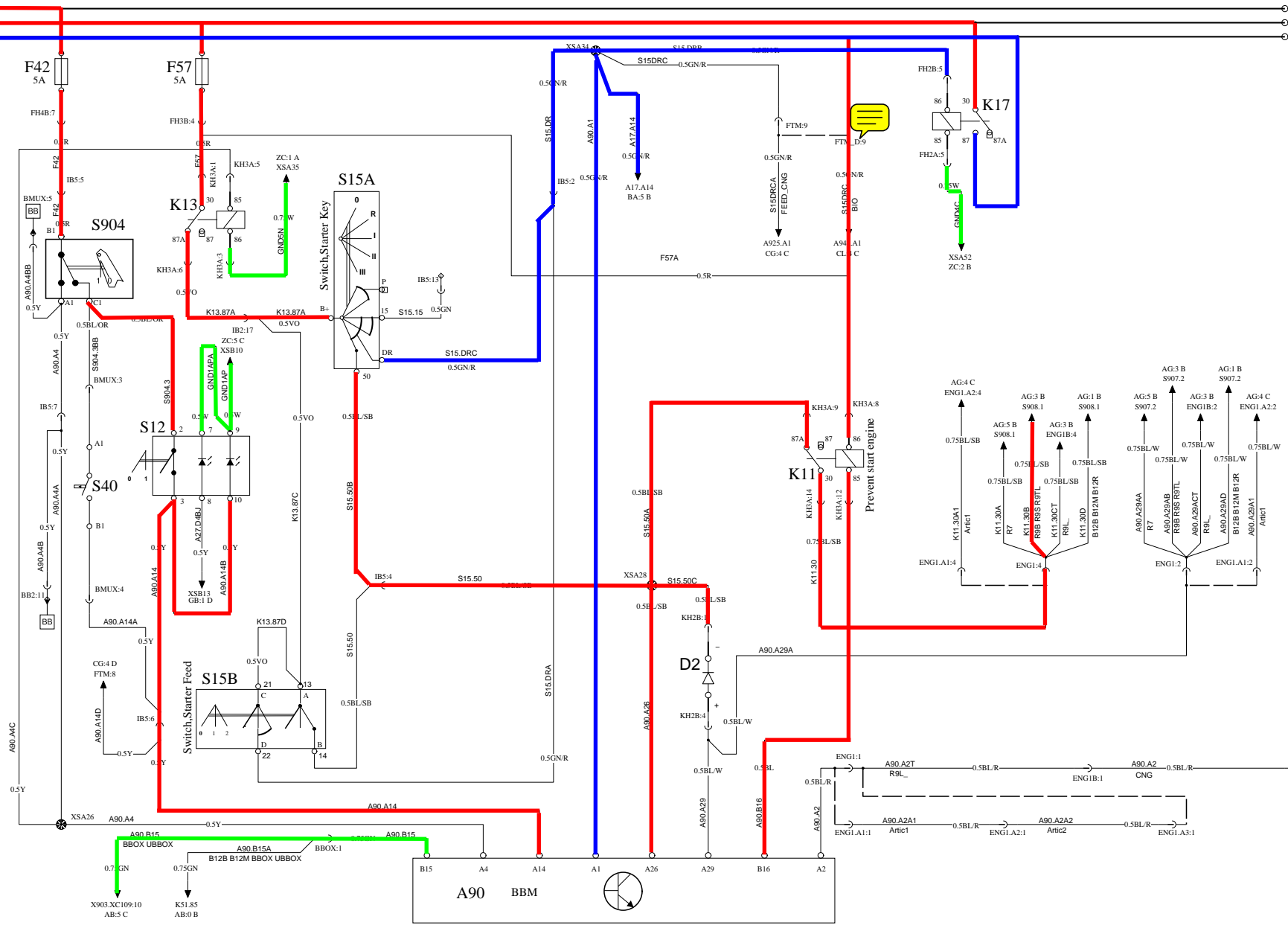
Owner Domain: Document Prefix

|                                |                          |                     |                         |
|--------------------------------|--------------------------|---------------------|-------------------------|
| Document No<br><b>20904123</b> | Issue Index<br><b>04</b> | Volume No<br>01(02) | Page No<br><b>1(59)</b> |
|--------------------------------|--------------------------|---------------------|-------------------------|

EDM-W 2000-04-01

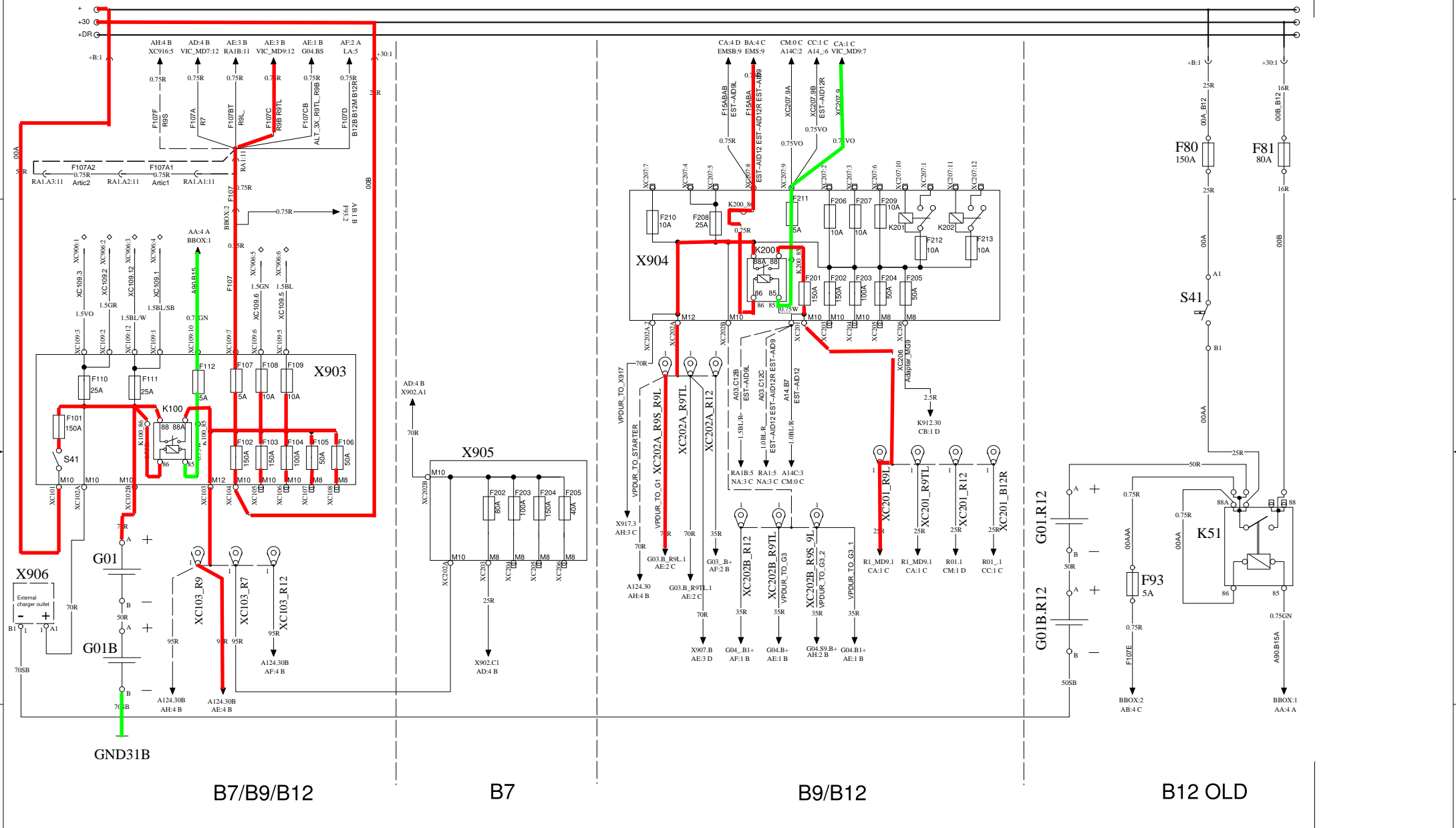
# IGNITION AND STARTING SYSTEM

# WIRING DIAGRAM AA



POWER SUPPLY

WIRING DIAGRAM AB



Volvo Bus Corporation

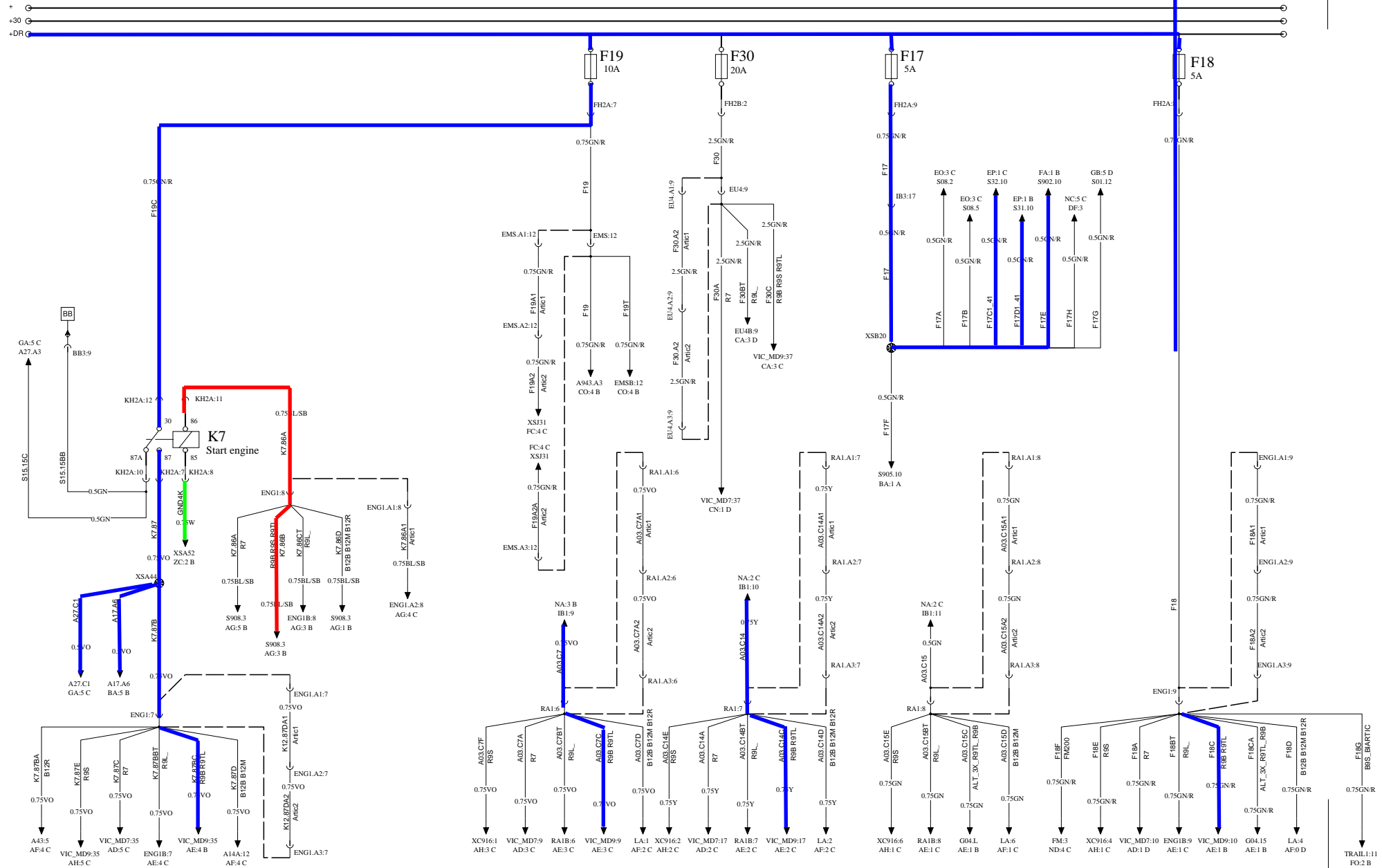
Document title  
WIRING DIAGRAM AB

Document type  
PRODUCT SCHEMATIC

|             |       |        |        |
|-------------|-------|--------|--------|
| Document No | Issue | Volume | Page   |
| 20904123    | 04    | 01(02) | 03(59) |

# START ENGINE AND ALTERNATORS

# WIRING DIAGRAM AC



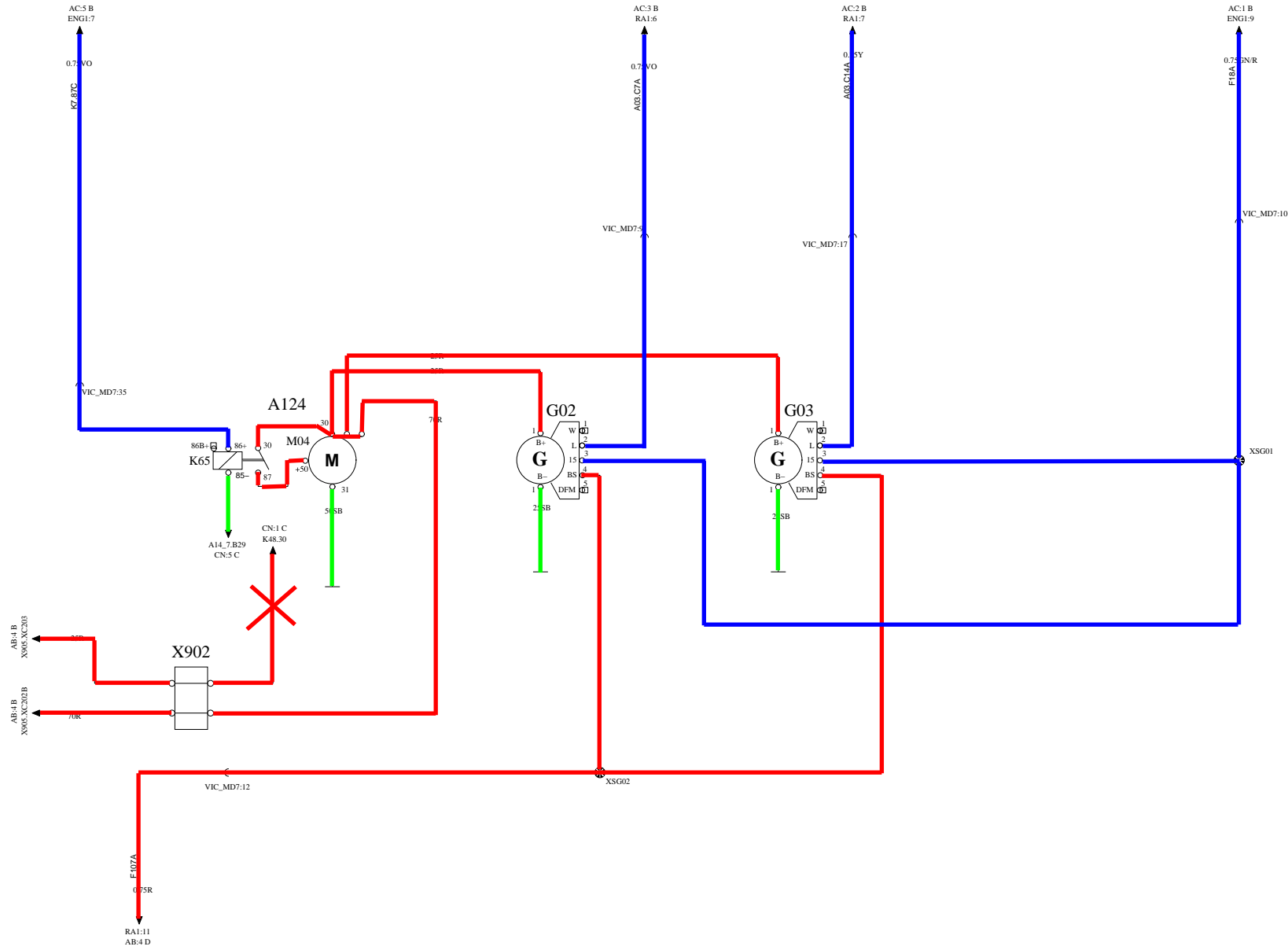
Volvo Bus Corporation

Document title  
**WIRING DIAGRAM AC**  
 Document type  
**PRODUCT SCHEMATIC**

|             |       |        |        |
|-------------|-------|--------|--------|
| Document No | Issue | Volume | Page   |
| 20904123    | 04    | 01(02) | 04(59) |

# STARTER MOTOR AND ALTERNATORS FOR MD7

# WIRING DIAGRAM AD



Volvo Bus Corporation

Document title  
WIRING DIAGRAM AD  
Document type  
PRODUCT SCHEMATIC

Document No  
**20904123**

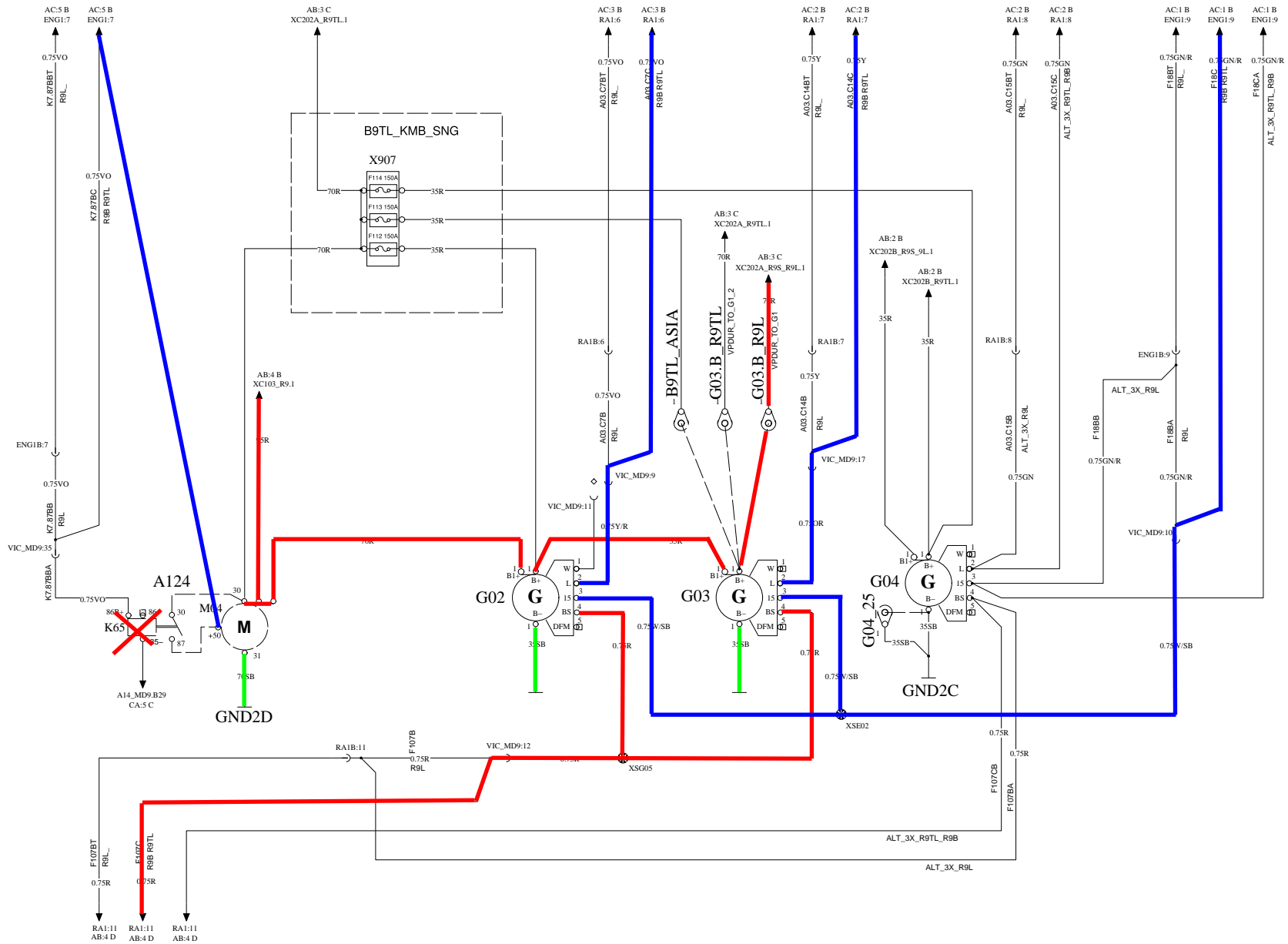
Issue  
**04**

Volume  
**01(02)**

Page  
**05(59)**

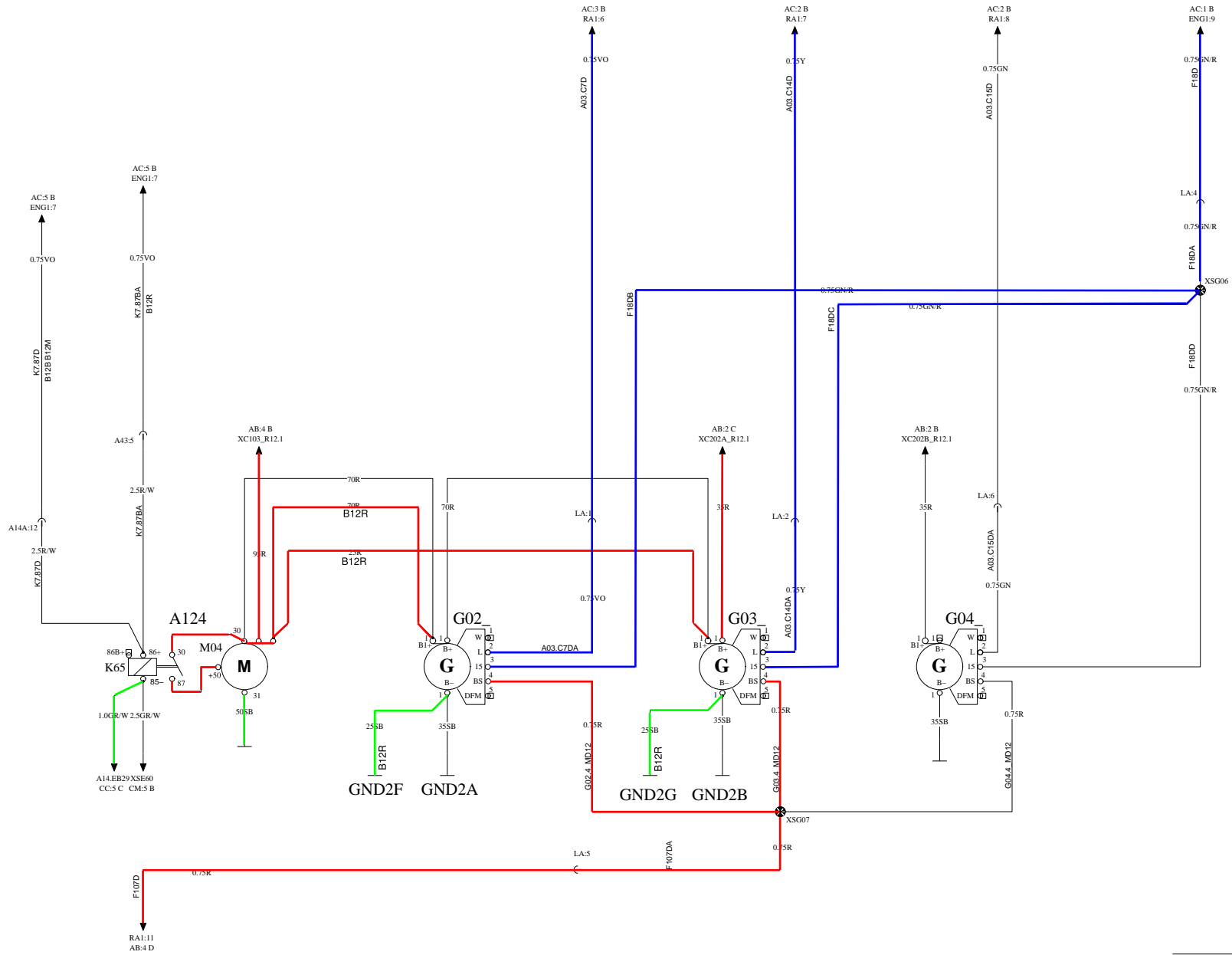
# STARTER MOTOR AND ALTERNATORS FOR R9L, R9TL, B9R

# WIRING DIAGRAM AE



# STARTER MOTOR AND ALTERNATORS FOR MD12

# WIRING DIAGRAM AF



Volvo Bus Corporation

Document title  
WIRING DIAGRAM AF

Document type  
PRODUCT SCHEMATIC

Document No

20904123

Issue

04

Volume

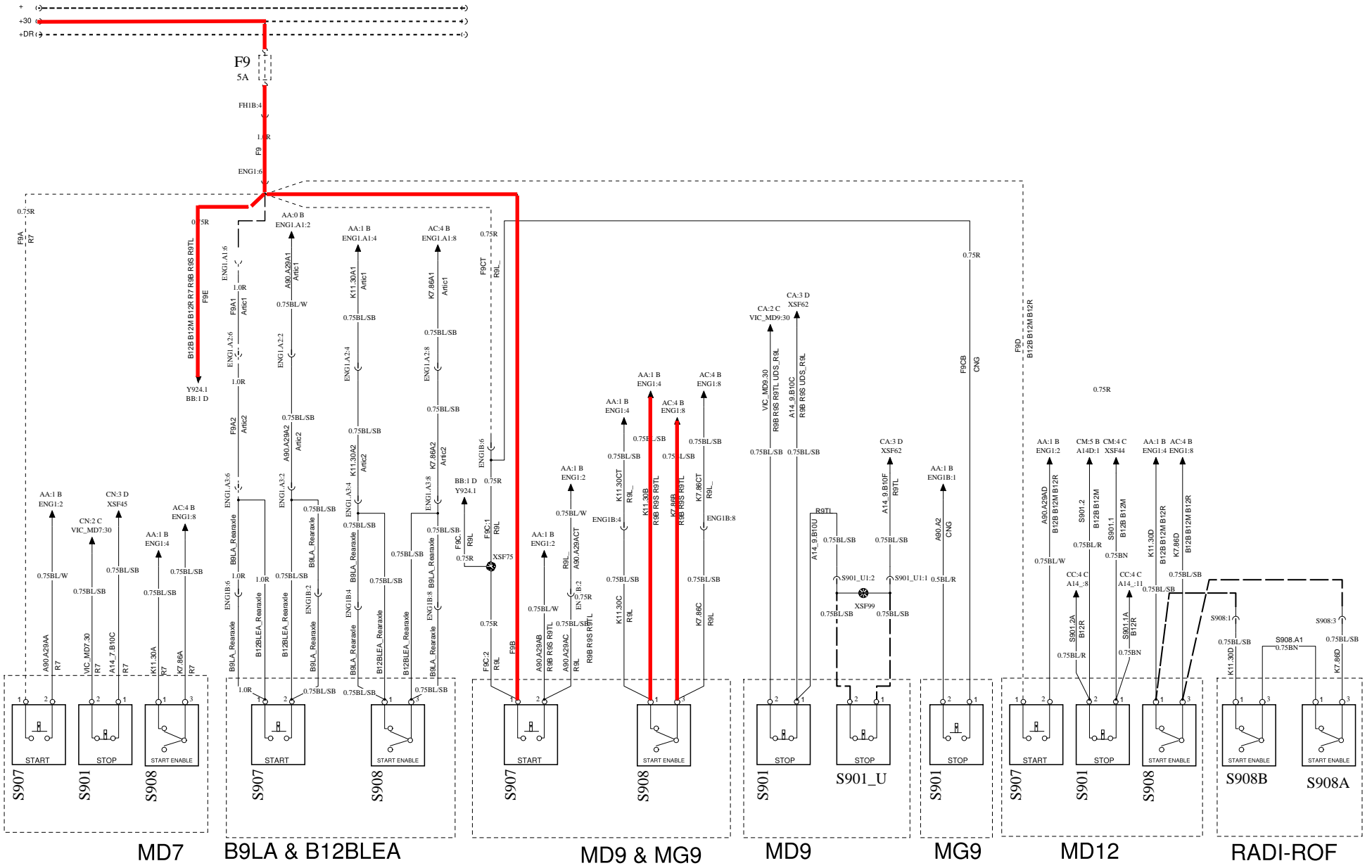
01(02)

Page

07(59)

# START/STOP SWITCHES REAR

# WIRING DIAGRAM AG



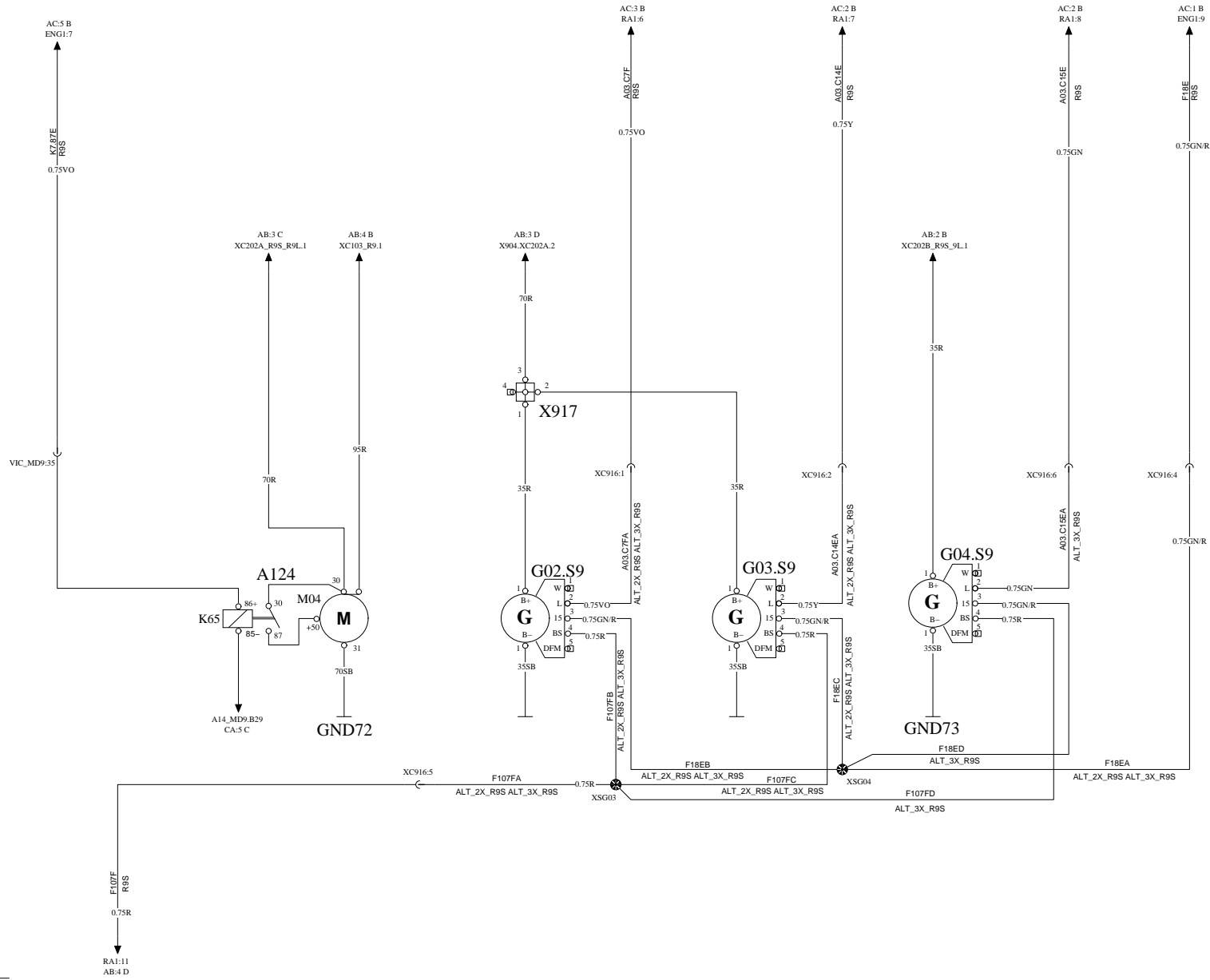
Volvo Bus Corporation

|                                     |             |       |        |        |
|-------------------------------------|-------------|-------|--------|--------|
| Document title<br>WIRING DIAGRAM AG | Document No | Issue | Volume | Page   |
|                                     | 20904123    | 04    | 01(02) | 08(59) |
| Document type<br>PRODUCT SCHEMATIC  |             |       |        |        |



# STARTER MOTOR AND ALTERNATOR FOR R9S

# WIRING DIAGRAM AH



Volvo Bus Corporation

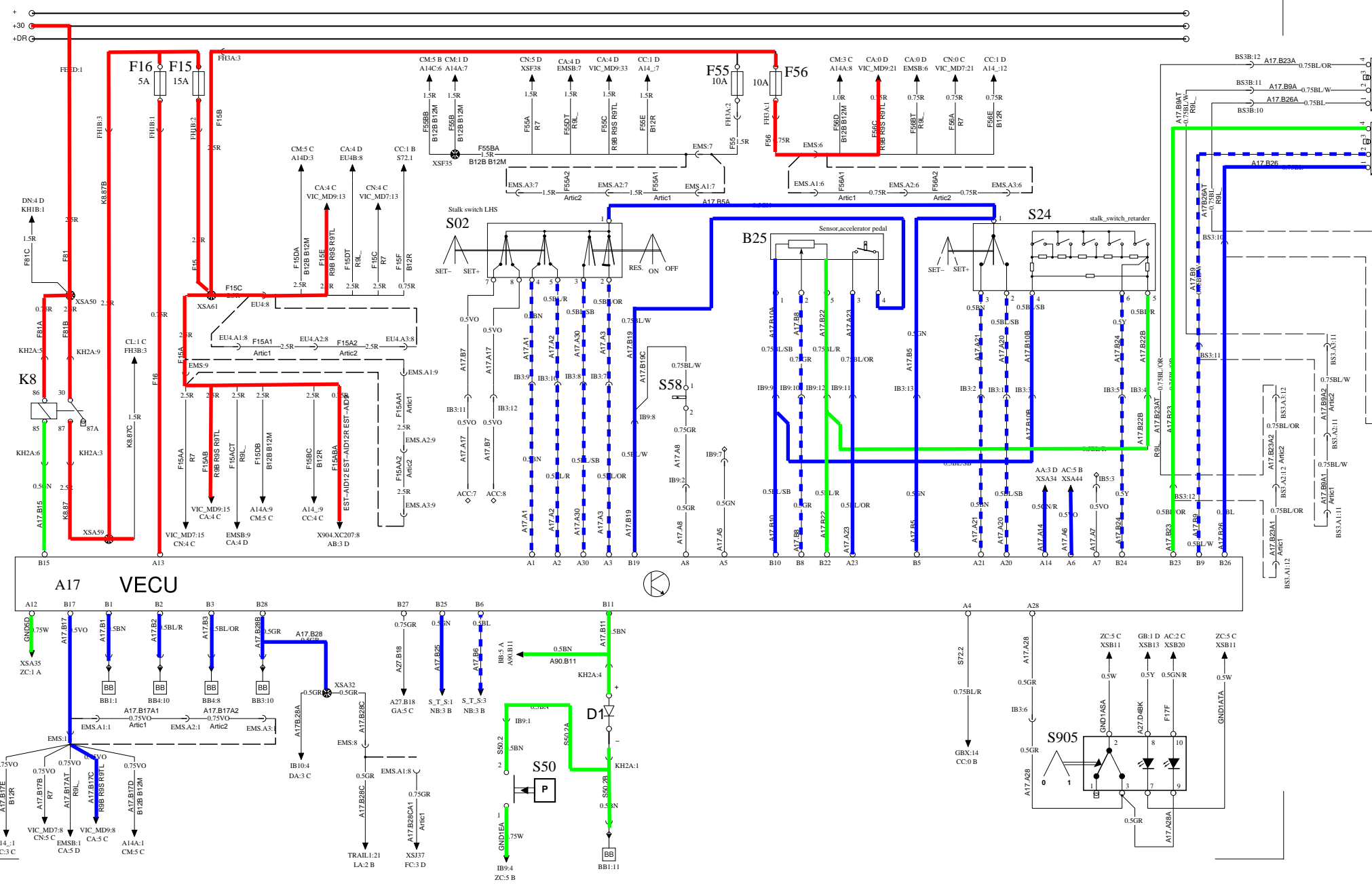
Document title  
WIRING DIAGRAM AH  
Document type  
PRODUCT SCHEMATIC

|             |       |        |        |
|-------------|-------|--------|--------|
| Document No | Issue | Volume | Page   |
| 20904123    | 04    | 01(02) | 09(59) |


VECU

VEHICLE ECU

WIRING DIAGRAM BA



This is the cut pages sample. Download all 143 page(s) at: [ManualPlace.com](http://www.ManualPlace.com)

|   |                       |  |                                     |                         |             |                  |                |
|---|-----------------------|--|-------------------------------------|-------------------------|-------------|------------------|----------------|
|  | Volvo Bus Corporation |  | Document title<br>WIRING DIAGRAM BA | Document No<br>20904123 | Issue<br>04 | Volume<br>01(02) | Page<br>10(59) |
|   |                       |  | Document type<br>PRODUCT SCHEMATIC  |                         |             |                  |                |