

Service Manual

Buses

Group **37**

Release **01**

Multiplex electrical system Version 2
Wiring Diagram

B12M with DH12E (chno 115594 - 118565)



TP 17049

VOLVO

Foreword

The information in this manual is based on present design in November 2006.

The products are under continuous development. This may effect the correctness of the information in this manual. If the differences are significant, new editions of this manual will be released to cover the changes.

Volvo Bus Corporation

Göteborg, Sweden

Order number: TP 17049

© 2006 Volvo Bus Corporation, Göteborg, Sweden

All rights reserved. No part of this publication may be reproduced, stored in retrieval system, or transmitted in any forms by any means, electronic, mechanical, photocopying, recording or otherwise, without the prior written permission of Volvo Bus Corporation.

Engineering Release Notice (ERN)	Location	Change Description	A = Added U = Deleted	W = Was	Document Release Status RELEASED
D-13395-52					Date 2006-11-09 Modification Count

WIRING DIAGRAM INDEX, B7, B9, B12

NAME	DESCRIPTION	PAGE		NAME	DESCRIPTION	PAGE
AA	IGNITION AND STARTING SYSTEM	02		EO	EBS, ELECTRONIC BRAKE SYSTEM	31
AB	POWER SUPPLY	03		EP	EBS, ELECTRONIC BRAKE SYSTEM	32
AC	STARTER AND ALTERNATOR	04		EX	PARKING BRAKE RELEASE	33
AD	STARTER AND ALTERNATOR D7E : B7R	05				
AE	STARTER AND ALTERNATOR D9B G9A : B9L, B9TL, B9R	06		FA	ECS, AIR SUSPENSION	34
AF	STARTER AND ALTERNATOR D12D DH12E : B12B, B12M, B12R	07		FB	ECS, AIR SUSPENSION	35
AG	START/STOP SWITCHES REAR	08		FC	AMECU	36
AH	STARTER AND ALTERNATOR D9B : B9S	09				
				GA	LCM, REAR LIGHTS	37
BA	VECU, VEHICLE ECU	10		GB	LCM, FRONT LIGHTS	38
BB	BBM, BODY BUILDER MODULE	11		GC	LCM, REAR LIGHTS	39
BC	BBM, BODY BUILDER MODULE	12		GD	LCM, ARTIC LIGHTS	40
BD	FIRE ALARM	13		GE	LCM, BI-XENON LIGHT	41
				GM	WIPER, WASHER	42
CA	EECU D9B, ENGINE	14		GN	LCM, XENON LIGHT RELAY	43
CB	EECU G9A, ENGINE	15				
CC	EECU D12D, ENGINE	16		IS	HORN SWM, STEERING WHEEL MODULE	44
CG	FTM, FUEL TANK MONITOR	17		IU	AUDIO	45
CL	BIO, BUS I/O	18				
CM	EECU DH12E, ENGINE	19		NA	BIC, BUS INSTRUMENT CLUSTER	46
CN	EECU D7E, ENGINE	20		NB	TACHOGRAPH	47
CO	OILMASTER	21		NC	DYNAFLEET	48
CU	UDS, UREA DOSING SYSTEM	22		ND	FMS 200, FLEET MANAGEMENT SYSTEM	49
CV	UDS, UREA DOSING SYSTEM	23		NE	FMS GATEWAY, FLEET MANAGEMENT SYSTEM	50
DA	G8-EGS	24		XC	CAN SAE1939	51
DB	ECOMAT 4 ZF	25		XD	CAN SAE1587	52
DC	VOITH, DIWA5	26				
DD	ECOLIFE ZF	27		ZC	GROUND	53
DM	RECU, RETARDER	28				
DN	I-SHIFT	29				
DO	VOITH, DIWA5 ARTIC	30				

VOLUME NO	CONTENT	PAGES
01	WIRING DIAGRAM	1-53
02	BILL OF MATERIAL/COMPONENT LIST	1-55

The copying, distribution and utilization of this document as well as the communication of its contents to others without expressed authorization is prohibited. Offenders will be held liable for payment of damages. All rights reserved in the event of the grant of a patent, utility model or ornamental design registration.

Document Title
**WIRING DIAGRAM
B7, B9, B12**

VOLVO
Volvo Bus Corporation

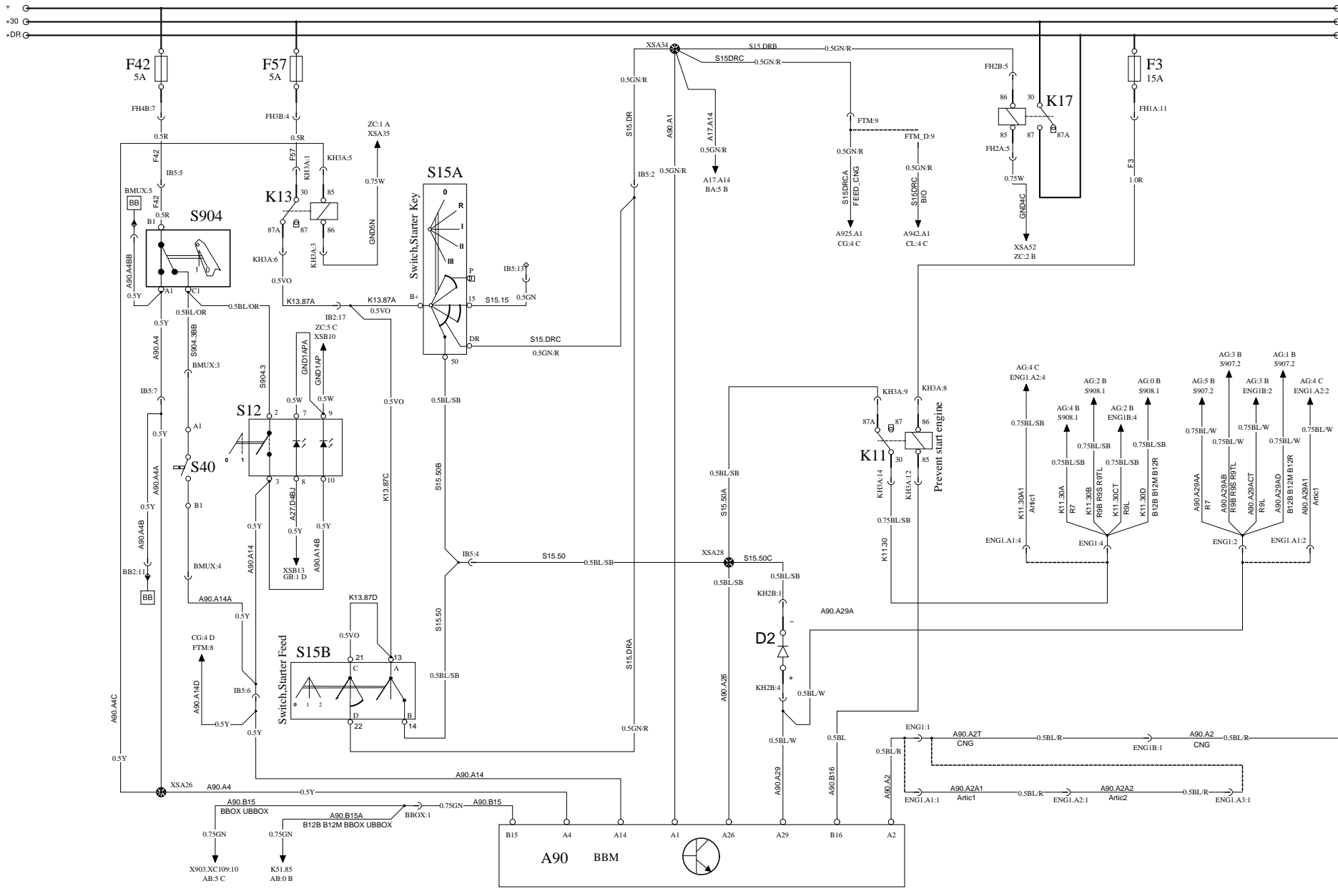
Document Type
PRODUCT SCHEMATIC

Owner Domain: Document Prefix

Document No 20904123	Issue Index 03	Volume No 01(02)	Page No 1(53)
--------------------------------	--------------------------	---------------------	-------------------------

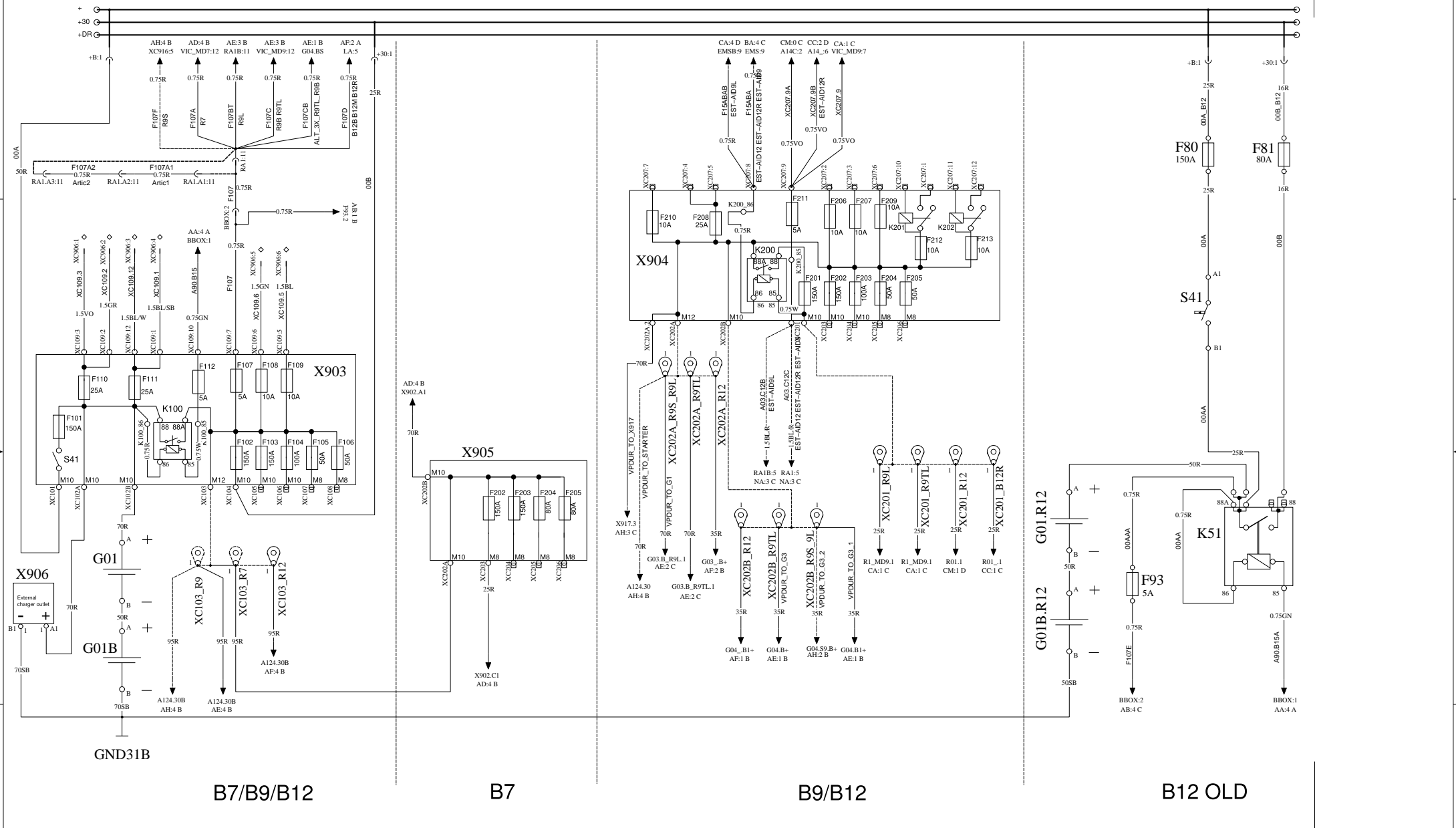
IGNITION AND STARTING SYSTEM

WIRING DIAGRAM AA



POWER SUPPLY

WIRING DIAGRAM AB



B7/B9/B12

B7

B9/B12

B12 OLD



Volvo Bus Corporation

Document title
WIRING DIAGRAM AB

Document type
PRODUCT SCHEMATIC

Document No
20904123

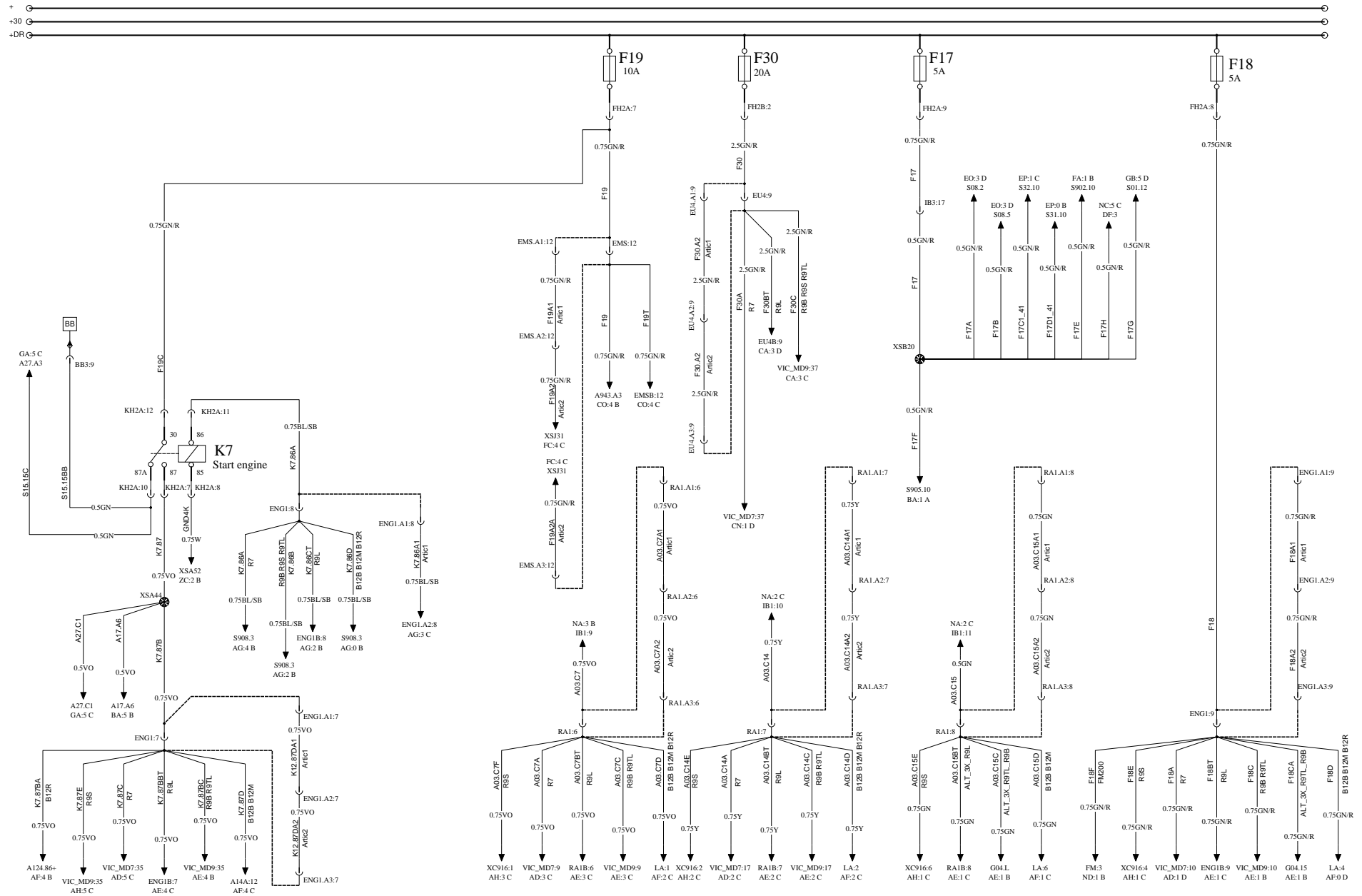
Issue
03

Volume
01(02)

Page
03(53)

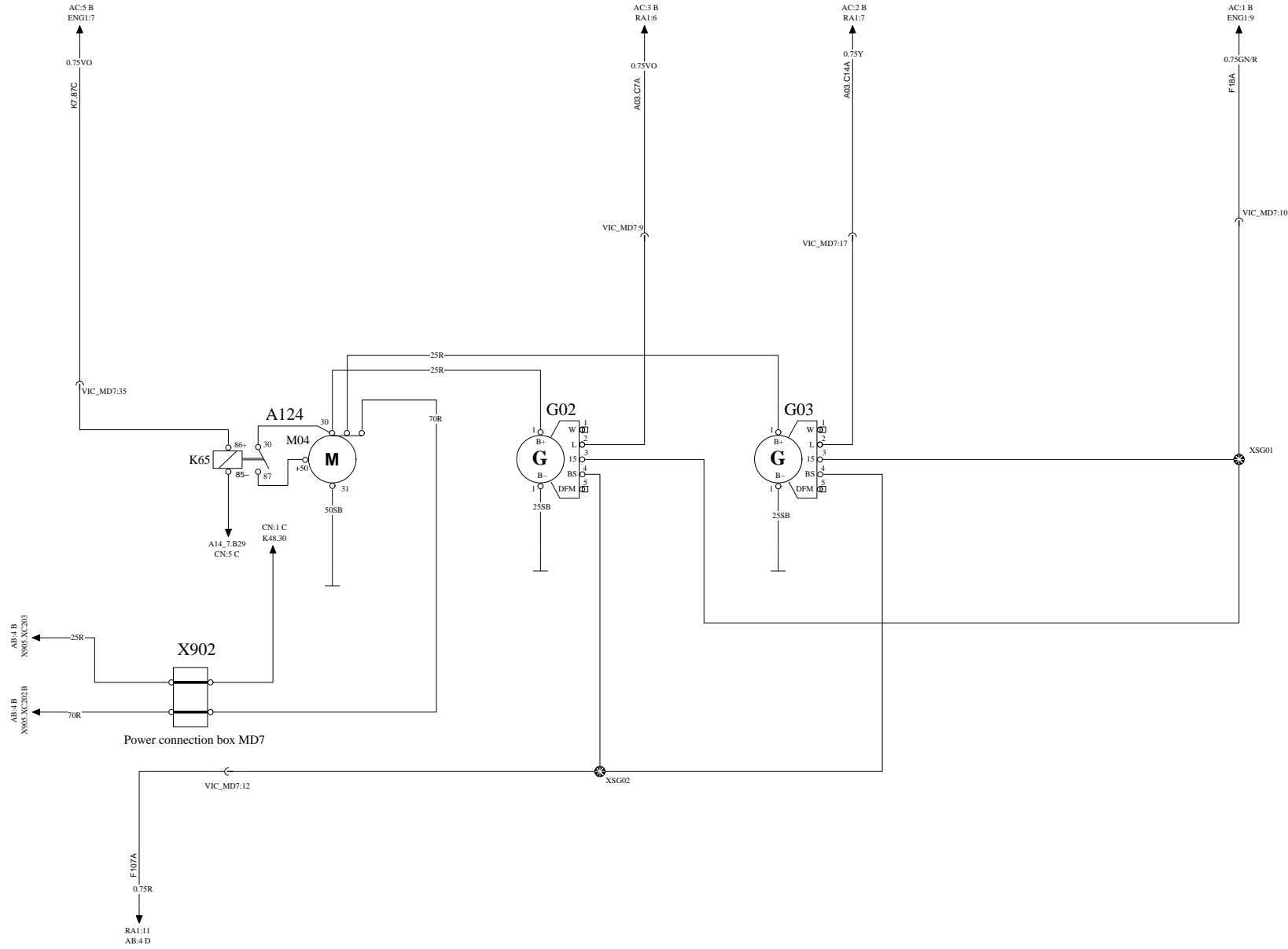
START ENGINE AND ALTERNATORS

WIRING DIAGRAM AC



STARTER MOTOR AND ALTERNATORS D7E: B7R

WIRING DIAGRAM AD



Volvo Bus Corporation

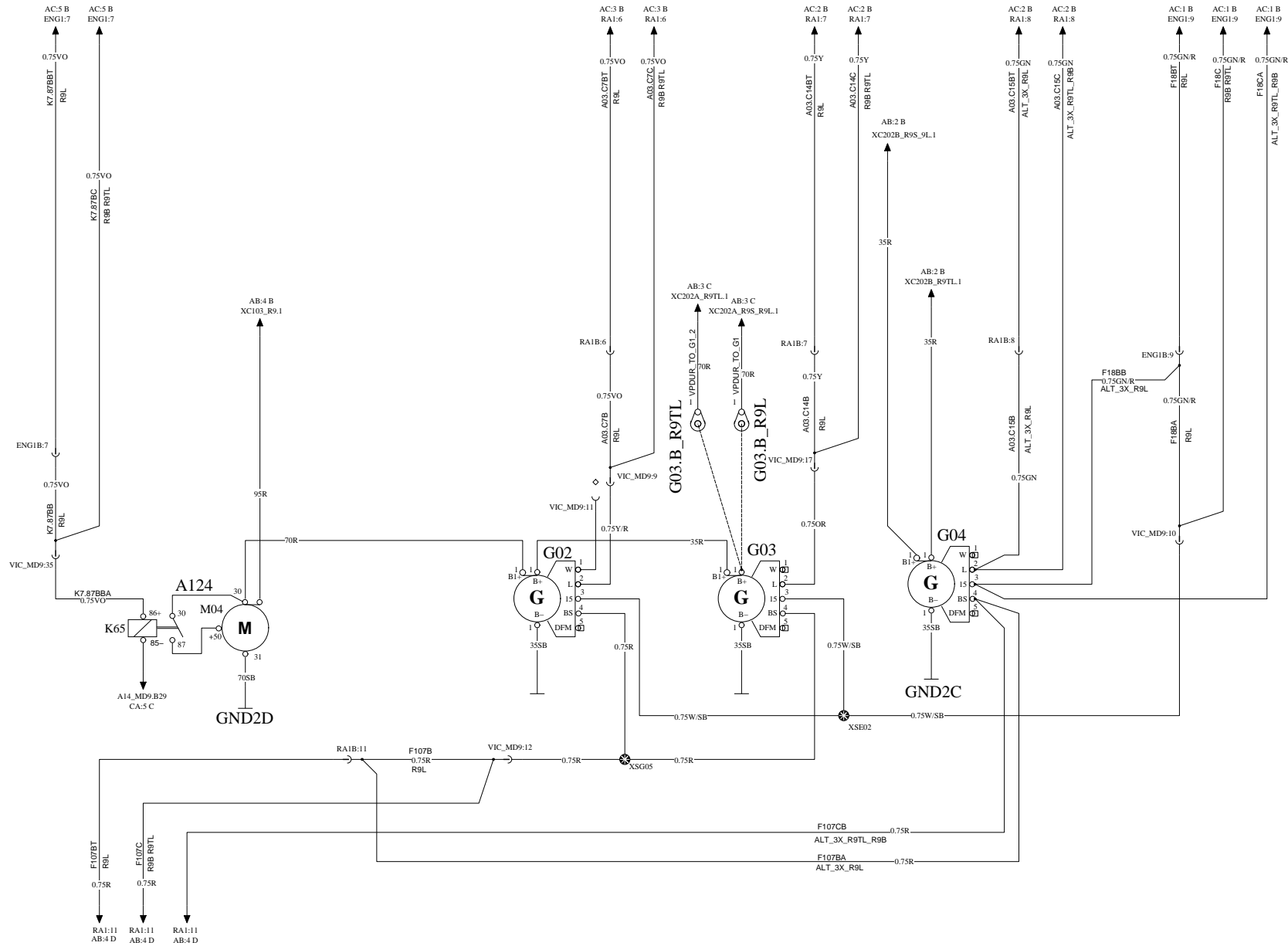
Document title
WIRING DIAGRAM AD
Document type
PRODUCT SCHEMATIC

Document No
20904123

Issue	Volume	Page
03	01(02)	05(53)

STARTER MOTOR AND ALTERNATORS D9B, G9A: R9L, R9TL, B9R

WIRING DIAGRAM AE



Volvo Bus Corporation

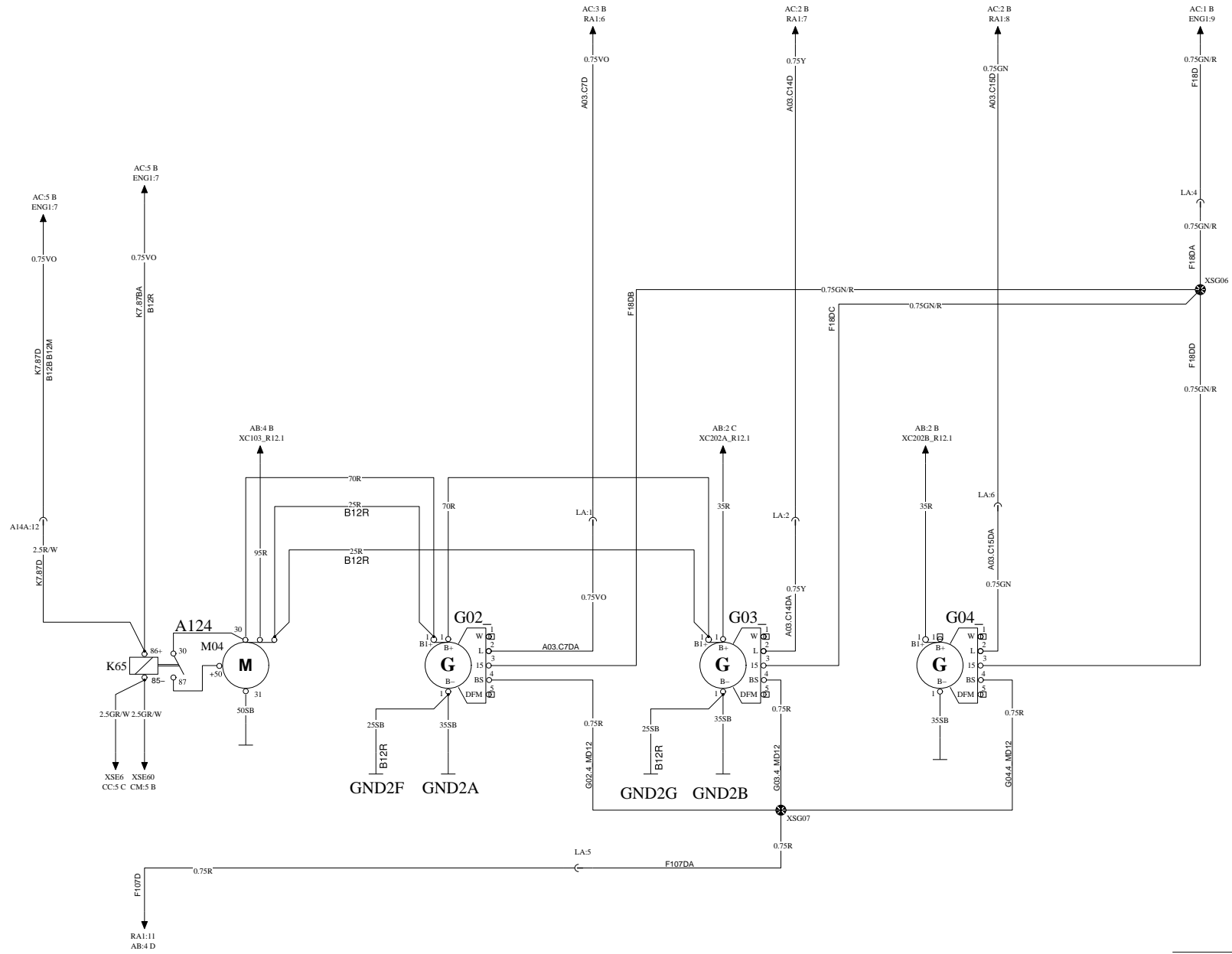
Document title
WIRING DIAGRAM AE
Document type
PRODUCT SCHEMATIC

Document No
20904123

Issue	Volume	Page
03	01(02)	06(53)

STARTER MOTOR AND ALTERNATORS D12D, DH12E: B12B, B12M, B12R

WIRING DIAGRAM AF



Volvo Bus Corporation

Document title
WIRING DIAGRAM AF

Document type
PRODUCT SCHEMATIC

Document No

20904123

Issue

03

Volume

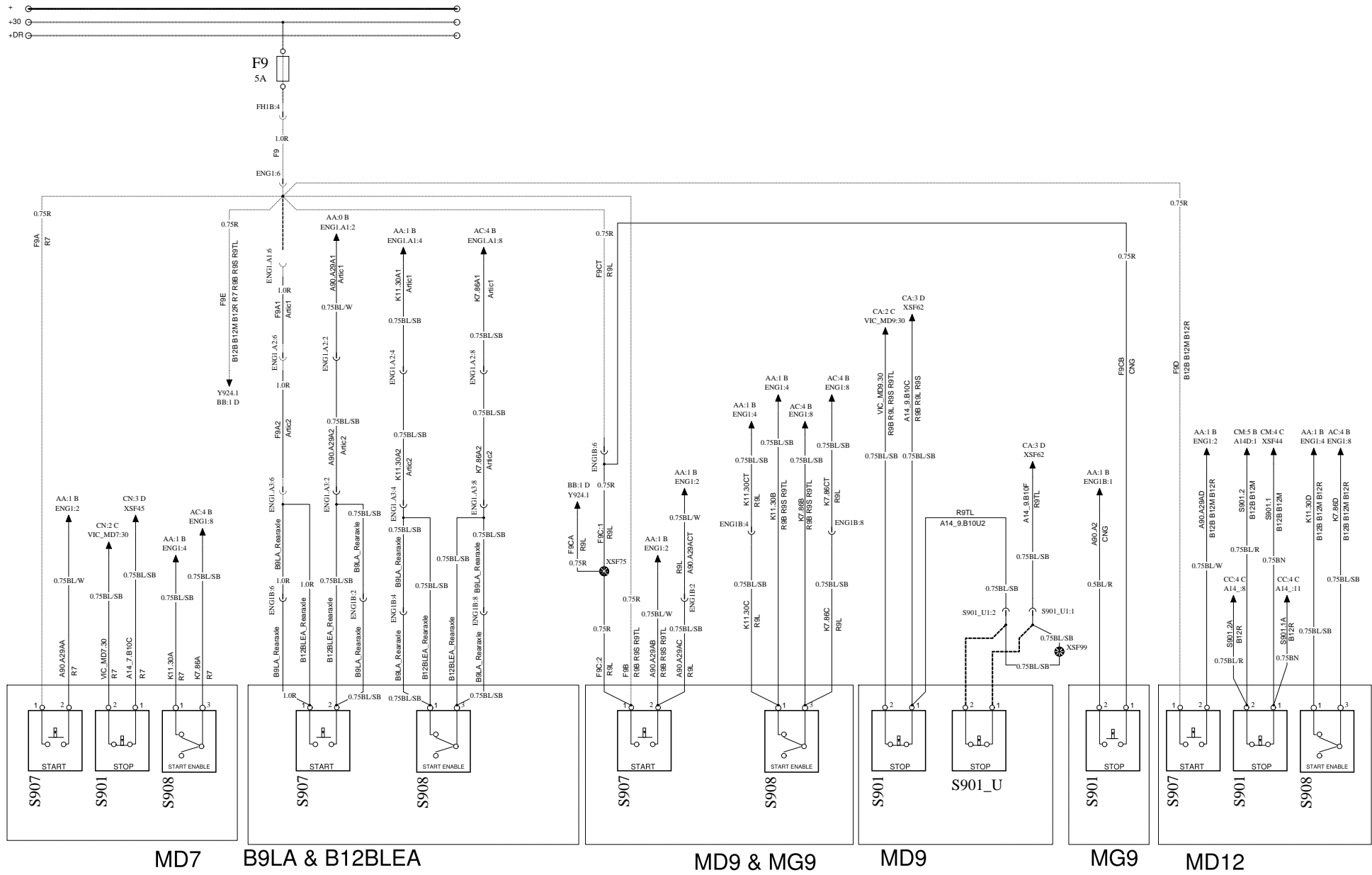
01(02)

Page

07(53)

START/STOP SWITCHES REAR

WIRING DIAGRAM AG



This is the cut pages sample. Download all 168 page(s) at: ManualPlace.com

Volvo B12m With Dh12e Service Manual
Full download: <http://manualplace.com/download/volvo-b12m-with-dh12e-service-manual/>

VOLVO	Volvo Bus Corporation	Document title WIRING DIAGRAM AG	Document No 20904123	Issue 03	Volume 01(02)	Page 08(53)
		Document type PRODUCT SCHEMATIC				