


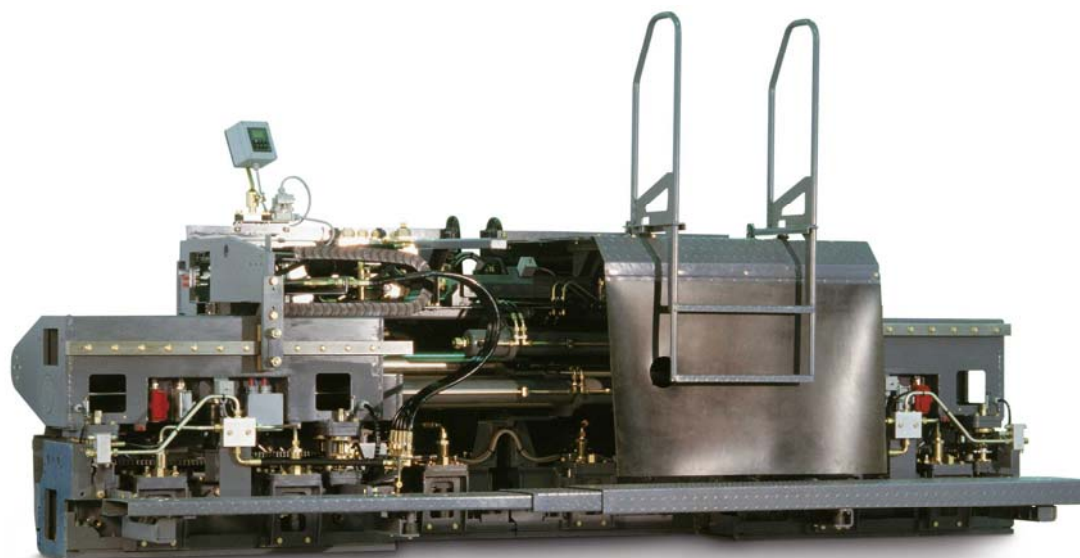


TRAINING 

Screed AB 500

AB 500

(10. AB. xxxx)



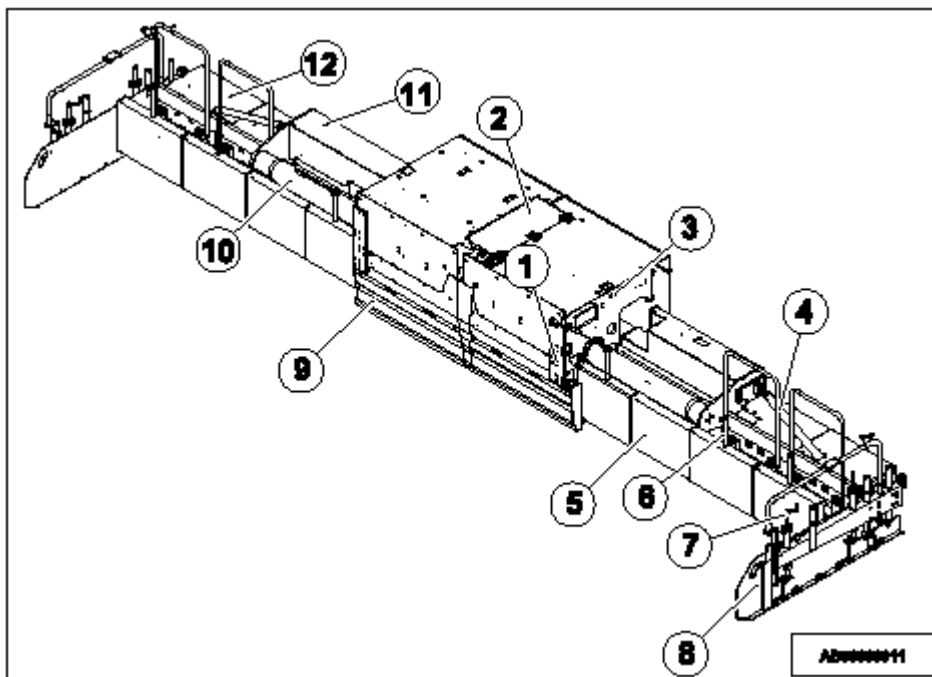


Contents

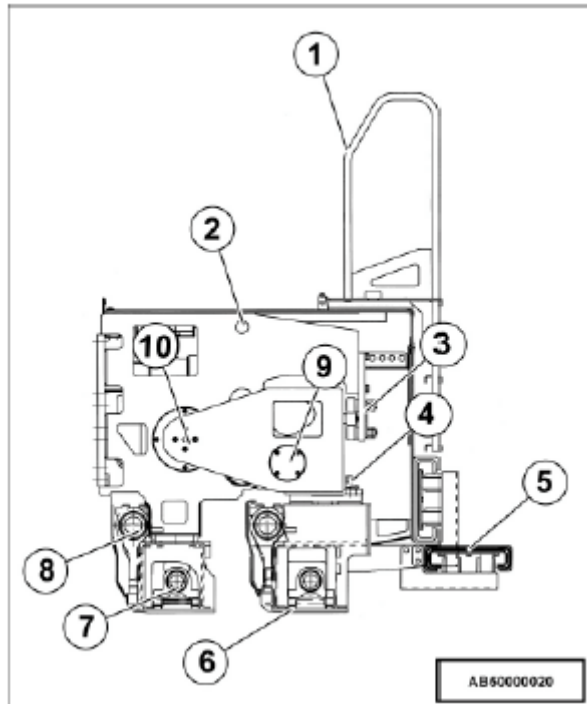
- 1. Description**
 - 1.1 Components in General
 - 1.2 General Description
- 2. Controls and Indicators**
 - 2.1 General
 - 2.2 Remote Control Units
- 3. Comparison AB 500 / AB 590**
- 4. Circuit Diagrams**
 - 4.1 Hydraulic System
 - 4.2 Electrical System
- 5. Settings**
 - 5.1 Tamper Stroke
 - 5.2 Setting the Tamper
 - 5.3 Setting the Tamper Shield
 - 5.4 Setting the Pressure Bar(s)
- 6. Maintenance**
 - 6.1 Tamper Shield
 - 6.2 Sealing Plate
 - 6.3 Tamper
 - 6.3.1 Setting the Tamper Height
 - 6.3.2 Lubrication
 - 6.4 Changing the Screed Plates
 - 6.4.1 AB 500 TV
 - 6.4.2 AB 500 TP1
 - 6.4.3 AB 500 TP2
 - 6.5 Torque Restraint System
 - 6.6 Height Adjustment for Extending Units
 - 6.6.1 Chains, Height Adjustment
 - 6.7 Maintenance Intervals
- 7. Screed Data**

1. Description

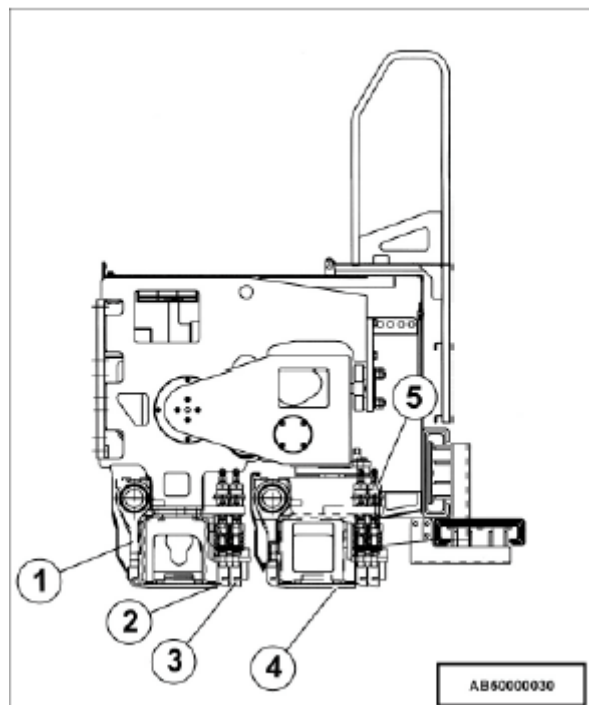
1.1 Components in General



- 1 Connecting flange
- 2 Cover (crown adjustment)
- 3 Bore for loading by crane
- 4 Bracing for bolt-on extension
- 5 Strike-off plate
- 6 Height adjustment for strike-off plate
- 7 Height adjustment for end plate
- 8 End plate
- 9 Tamper shield
- 10 Telescopic tube
- 11 Extending unit
- 12 Bolt-on extension



- 1 Ladder
- 2 Bore for loading by crane
- 3 Torque restraint system
- 4 Height adjustment of extending unit
- 5 Footboard
- 6 Screed plate
- 7 Vibrator
- 8 Tamper
- 9 Hydraulic ram
- 10 Telescopic tube



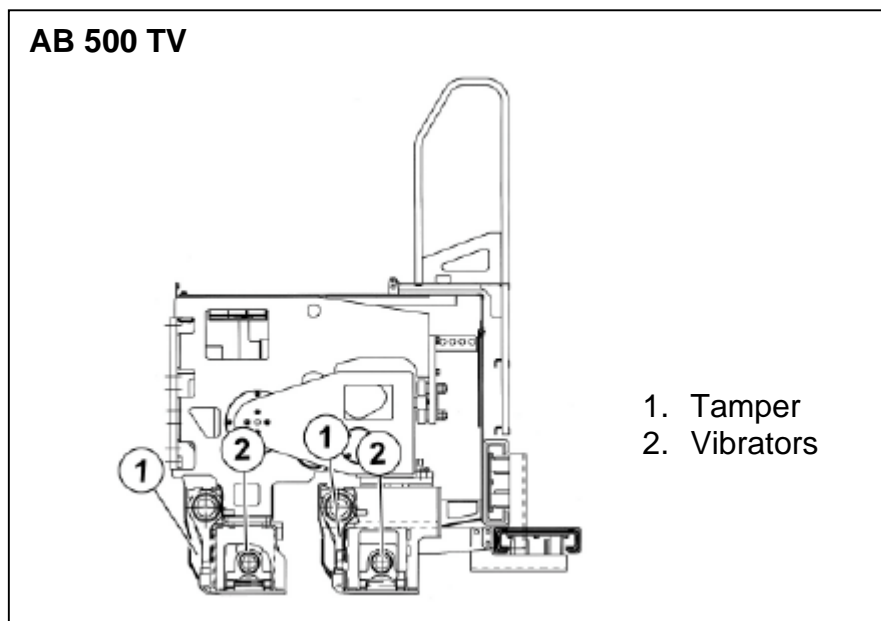
- 1. Tamper
- 2. Pressure bar 1
- 3. Pressure bar 2
- 4. Screed plate of extending unit
- 5. Height adjustment

1.2 General Description

The AB 500 Extending Screed is infinitely variable in width.
The basic width is 2.5 metres.

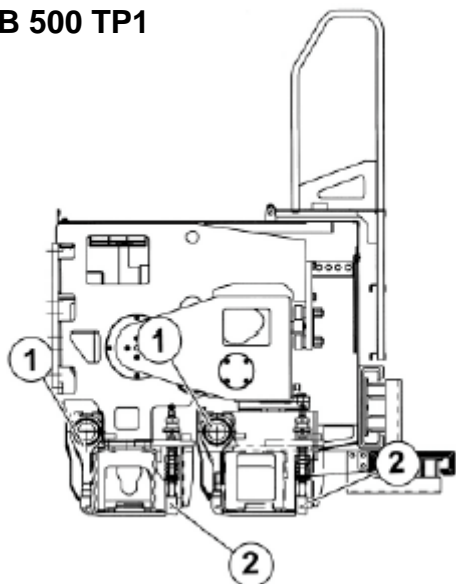
The screed is available in three versions:

- AB 500 TV → pre-compaction with tamper (T) and vibrators (V).
- AB 500 TP1 → high compaction with tamper (T) and 1 pressure bar (P1).
- AB 500 TP2 → high compaction with tamper (T) and 2 pressure bars (P2).



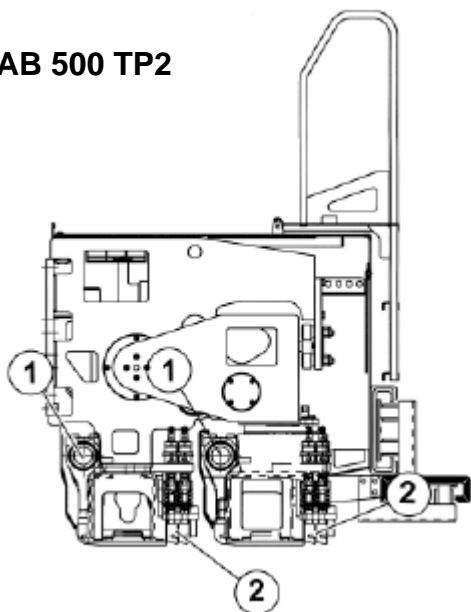


AB 500 TP1



- 1. Tamper
- 2. Pressure Bar

AB 500 TP2



- 1. Tamper
- 2. Pressure Bars