

# **2004-2005 Prius XM Radio Installation Instructions**

**By**

**Eddie Bell**

[www.metrotpn.com](http://www.metrotpn.com)

**Let me begin by saying this is an easy but time consuming job. Set aside a few hours of your time for the install. If you take your time, with the help of this guide you will be rewarded with a tidy XM radio install.**

**I have spent a good bit of time on this guide. It is my first try at creating a pdf document so there may be some errors.**

**I offer this guide free of charge. All I ask in return is that if you find an error, please let me know. Also if you have additions that you feel may help someone else, let me know so that I may make the changes.**

**Let's get started.**

**What you will need:**

**10 mm socket**

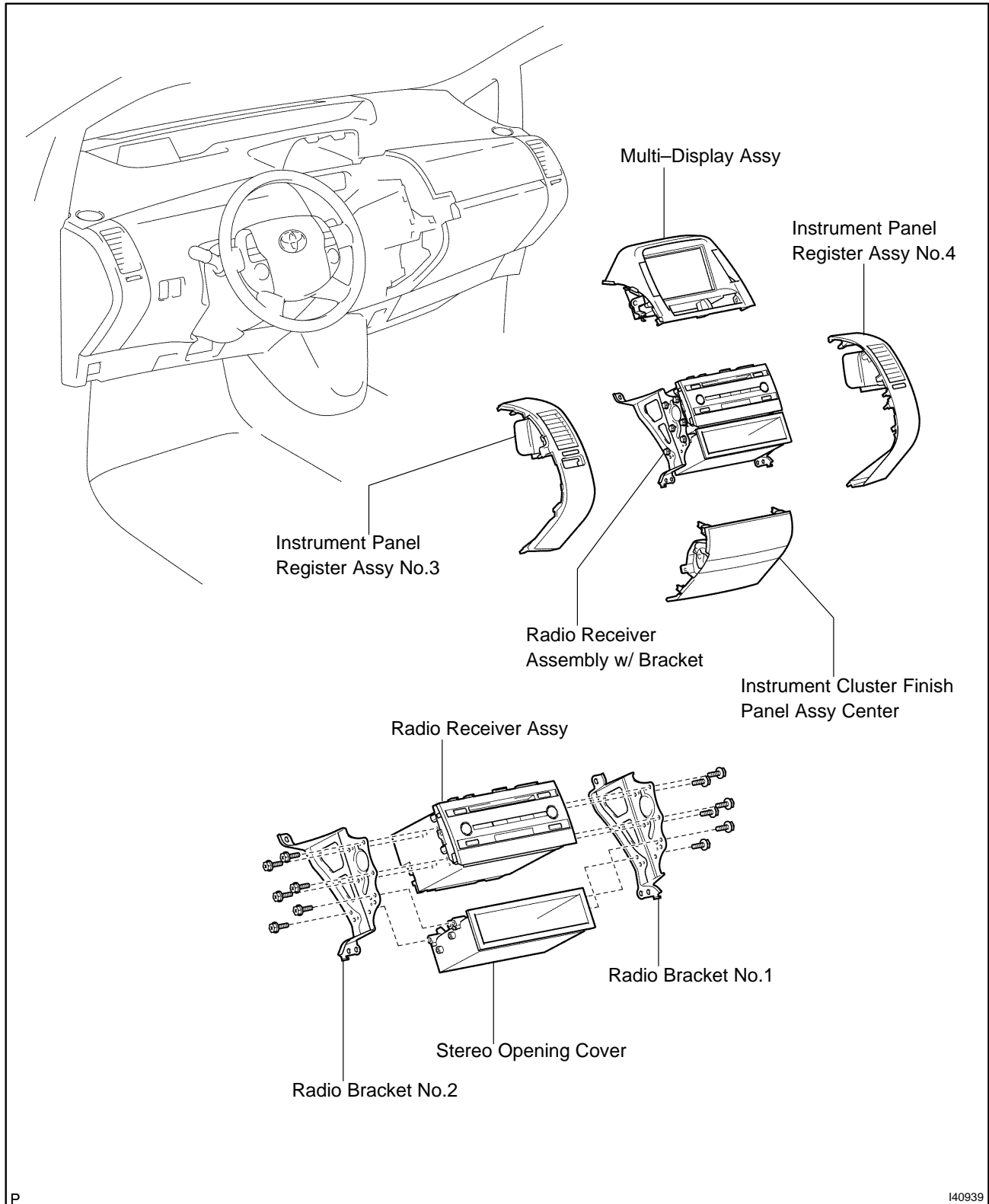
**Socket wrench aka ratchet**

**Phillips head screwdriver (you know, the one that looks like this +)**

**Fish tape or coat hanger**

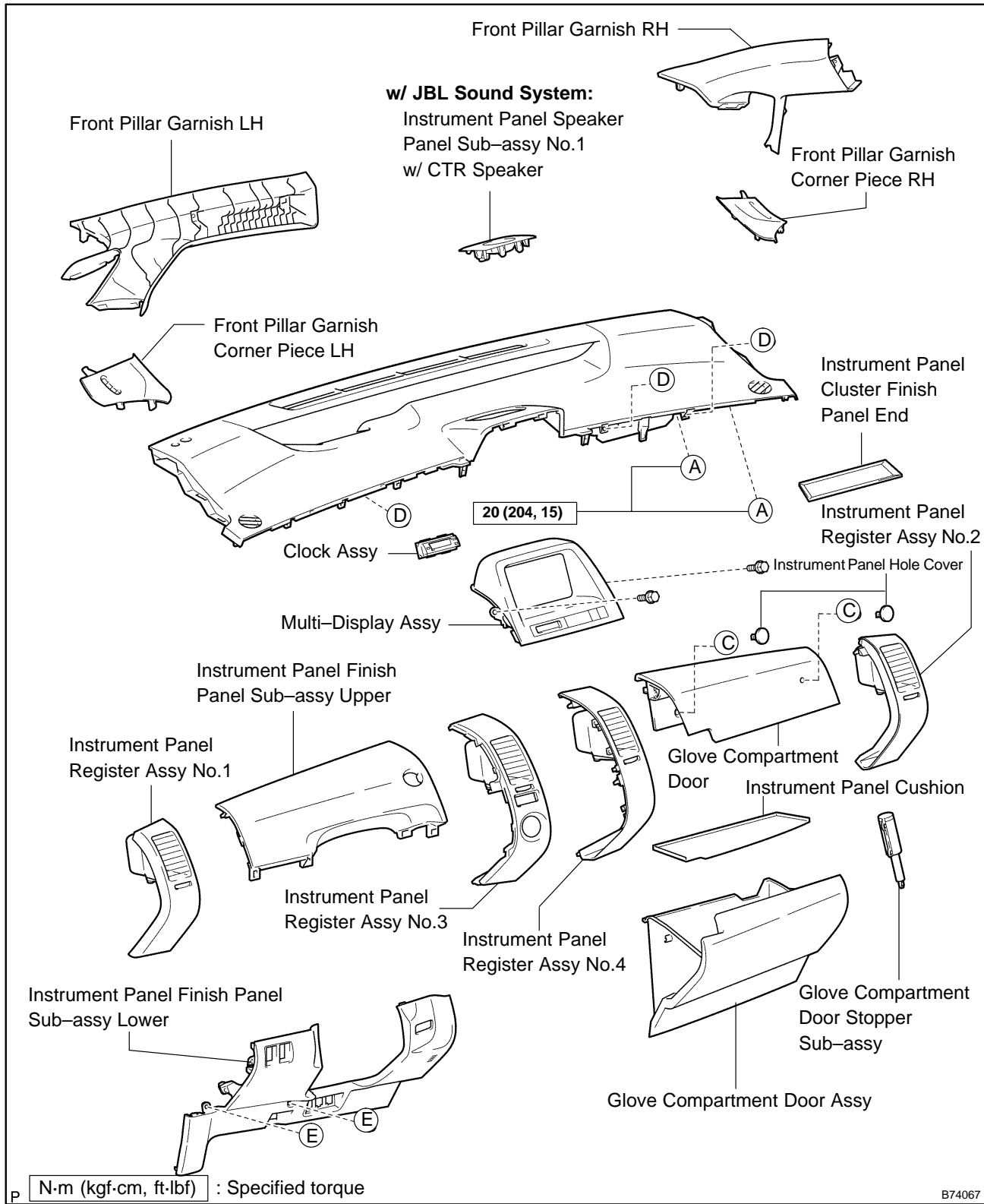
**A little patience**

# COMPONENTS



# INSTRUMENT PANEL/METER COMPONENTS

710LL-01



**REMOVE INSTRUMENT PANEL REGISTER ASSY**

**NO.1**

Grasp at the very top and very bottom and pull towards you.

The register is held on very tightly. A flat blade screwdriver wrapped in tape comes in handy.

