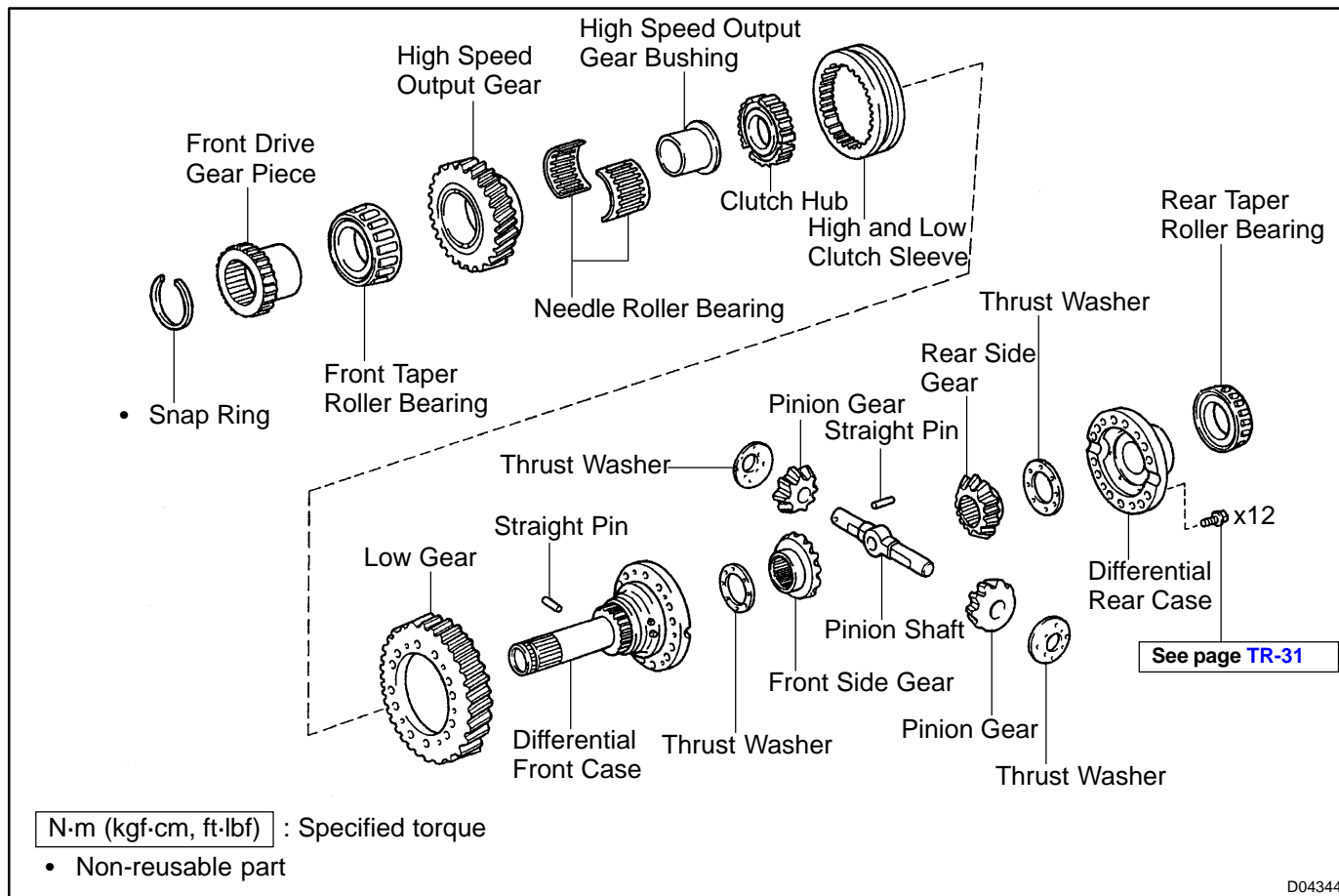
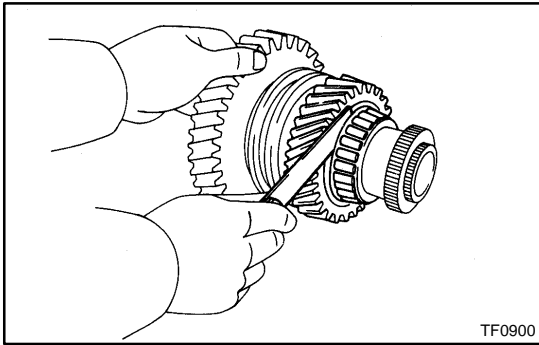


CENTER DIFFERENTIAL COMPONENTS

TR06J-02





DISASSEMBLY

1. INSPECT HIGH SPEED OUTPUT GEAR RADIAL AND THRUST CLEARANCE

- (a) Using a feeler gauge, measure the high speed output gear thrust clearance.

Standard clearance:

0.10 - 0.25 mm (0.0039 - 0.0098 in.)

Maximum clearance:

0.25 mm (0.0098 in.)

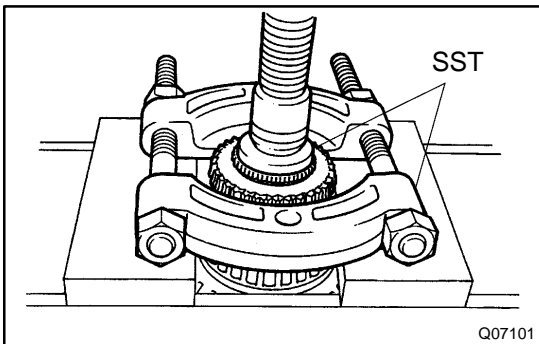
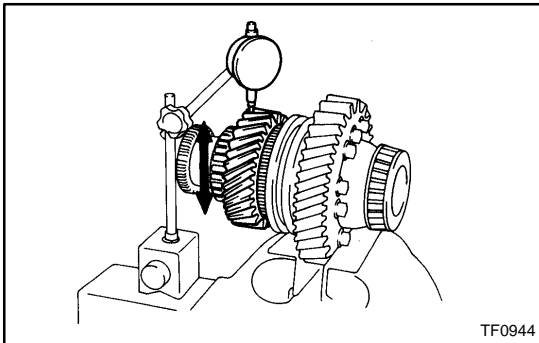
- (b) Using a dial indicator, measure the high speed output gear radial clearance.

Standard clearance:

0.035 - 0.091 mm (0.00138 - 0.00358 in.)

Maximum clearance:

0.091 mm (0.00358 in.)

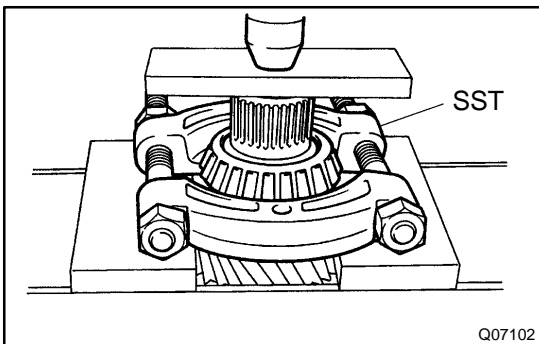


2. REMOVE FRONT DRIVE GEAR PIECE

- (a) Using a snap ring expander, remove the snap ring.
 (b) Using SST and a press, remove the front drive gear piece.
 SST 09950-00020, 09950-60010 (09951-00320)

NOTICE:

Be careful not to drop the center differential assembly.

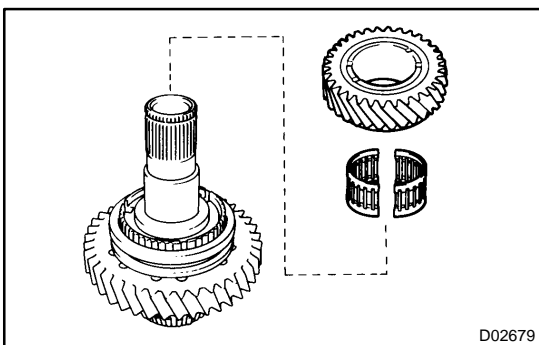


3. REMOVE FRONT TAPER ROLLER BEARING

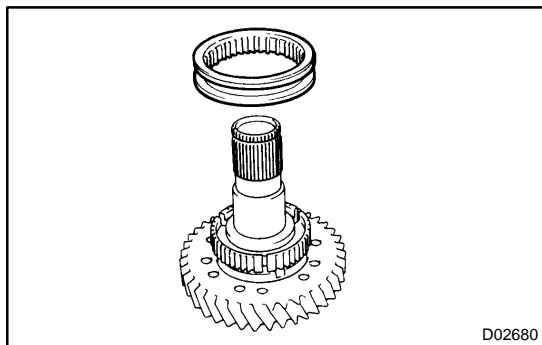
Using SST and a press, remove the front taper roller bearing.
 SST 09950-00020

NOTICE:

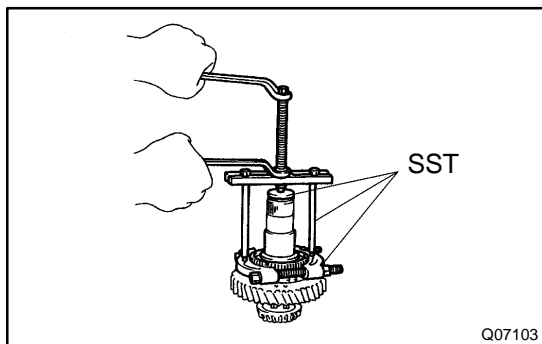
Set the claw of SST to the bearing inner race securely.



4. REMOVE HIGH SPEED OUTPUT GEAR
 5. REMOVE 2 NEEDLE ROLLER BEARINGS



6. REMOVE HIGH AND LOW CLUTCH SLEEVE

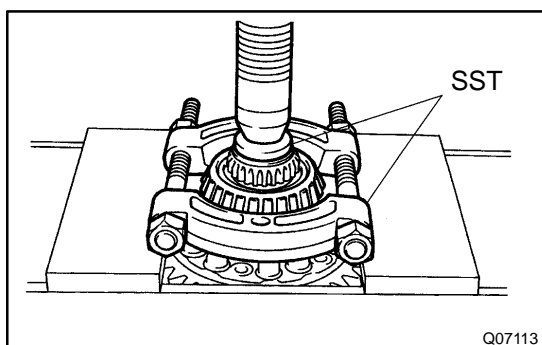


7. REMOVE HIGH SPEED OUTPUT GEAR BUSHING AND CLUTCH HUB

- (a) Using SST, remove the high speed output gear bushing and clutch hub.

SST 09950-00020, 09950-00030, 09950-60010 (09951-00320)

- (b) Using a magnetic finger, remove the straight pin from the differential front case.



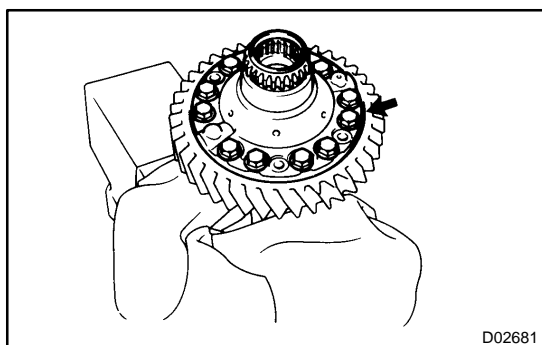
8. REMOVE REAR TAPER ROLLER BEARING

Using SST and a press, remove the rear taper roller bearing.

SST 09950-00020, 09950-60010 (09951-00320)

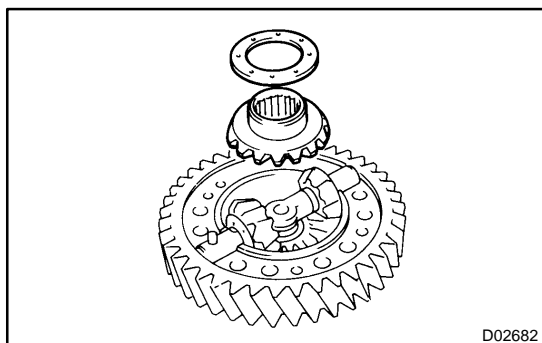
NOTICE:

Set the claw of SST to the bearing inner race securely.

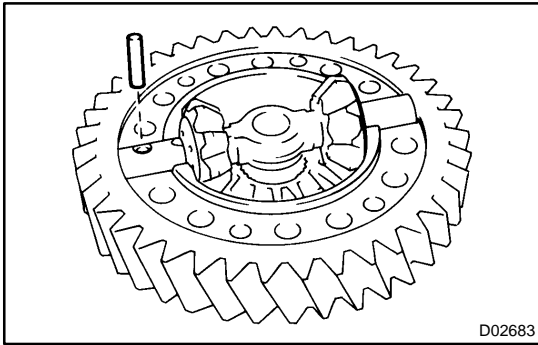


9. REMOVE DIFFERENTIAL REAR CASE

Remove the 12 bolts and differential rear case.

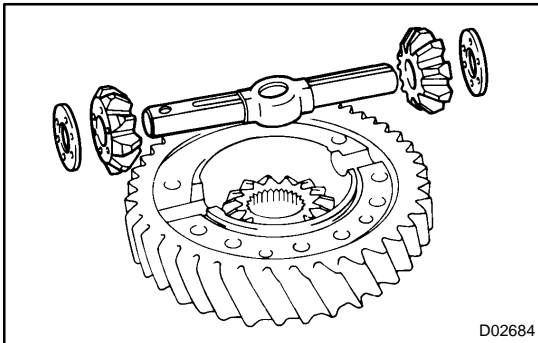


10. REMOVE THRUST WASHER AND REAR SIDE GEAR

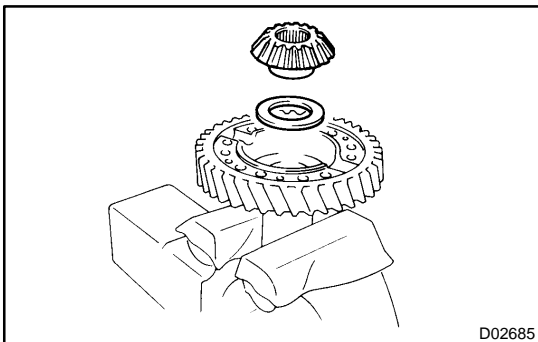


11. REMOVE PINION SHAFT, 2 PINION GEARS AND 2 THRUST WASHERS

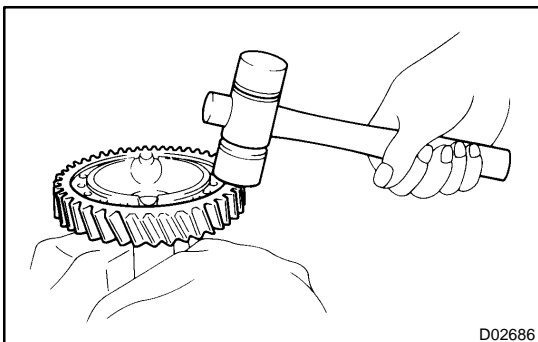
(a) Remove the straight pin from the pinion shaft.



(b) Remove the pinion shaft, 2 pinion gears and thrust washers.



(c) Remove the front side gear and thrust washer.



12. REMOVE LOW GEAR

Using a plastic hammer, tap and remove the low gear.

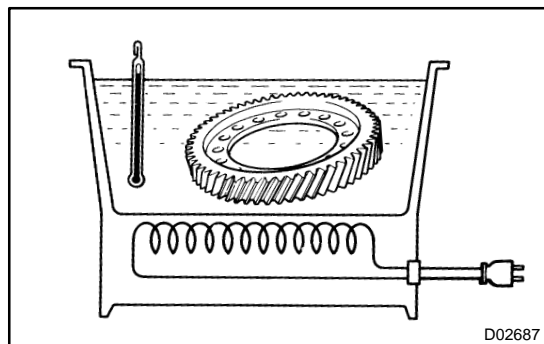
NOTICE:

Be careful not to damage the low gear.

REASSEMBLY

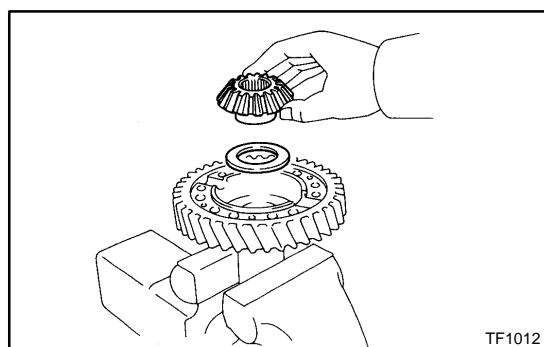
HINT:

Coat all of the sliding and rotating surfaces with gear oil before reassembly.

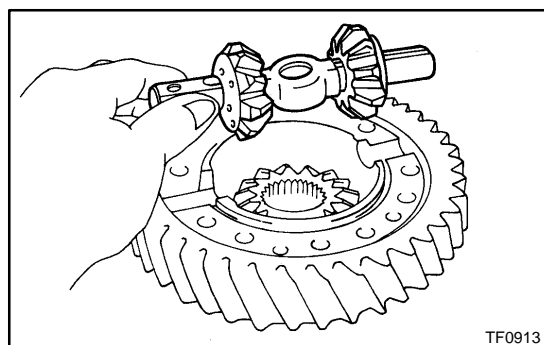


1. INSTALL LOW GEAR

- (a) Clean the contact surface of the differential case.
- (b) Heat the low gear in boiling water.
- (c) Carefully remove the low gear from the water.
- (d) After the moisture on the low gear has completely evaporated, quickly install the low gear to the differential case.



2. INSTALL THRUST WASHER AND FRONT SIDE GEAR



3. INSTALL PINION SHAFT, 2 PINION GEARS AND 2 THRUST WASHERS

- (a) Install the pinion shaft, 2 pinion gears and thrust washers to the differential front case.