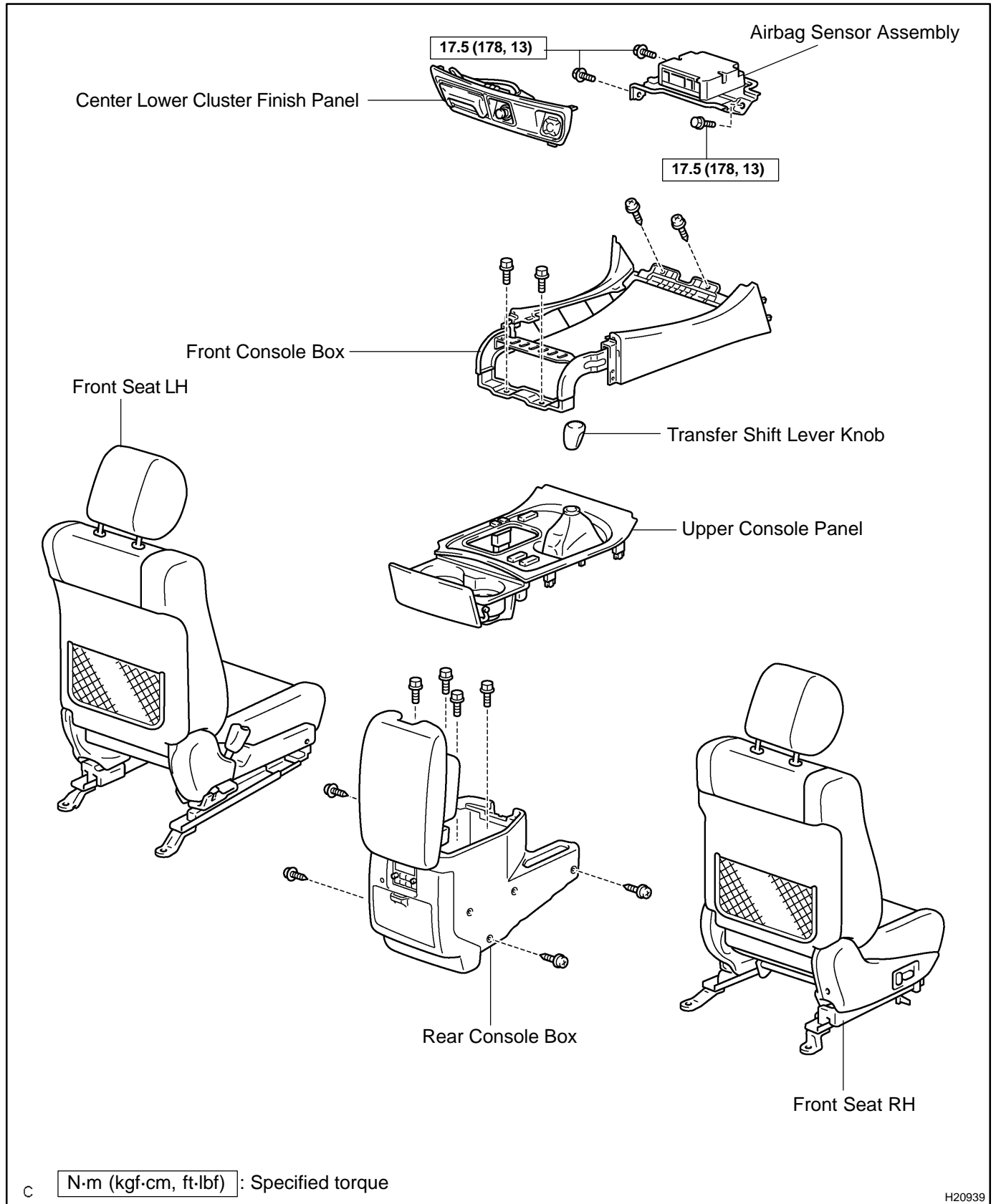


AIRBAG SENSOR ASSEMBLY COMPONENTS

RS0BK-08



INSPECTION

1. Vehicle not involved in collision:

INSPECT SUPPLEMENTAL RESTRAINT SYSTEM

Do a diagnostic system check (See page [DI-692](#)).

2. Vehicle involved in collision and airbag is not deployed:

INSPECT SUPPLEMENTAL RESTRAINT SYSTEM

Do a diagnostic system check (See page [DI-692](#)).

3. Vehicle involved in collision and airbag is deployed:

INSPECT SUPPLEMENTAL RESTRAINT SYSTEM

Replace the airbag sensor assembly (See page [RS-69](#)).

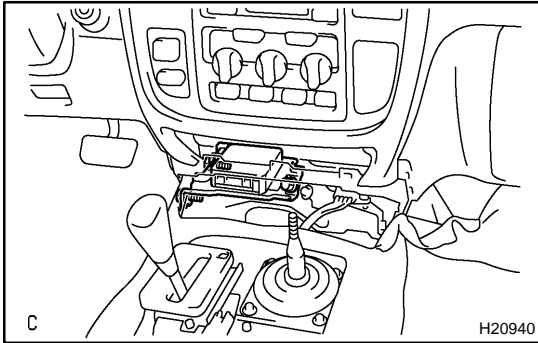
INSTALLATION

NOTICE:

- Never use SRS parts from another vehicle. When replacing parts, replace them with new parts.
- Never reuse the airbag sensor assembly involved in a collision when the airbag has deployed.
- Never repair a sensor in order to reuse it.

HINT:

For step 2 to 6, refer to page [BO-91](#) .



1. INSTALL AIRBAG SENSOR ASSEMBLY

- (a) Install the airbag sensor assembly with the 3 bolts.
Torque: 17.5 N·m (178 kgf·cm, 13 ft·lbf)
- (b) Connect the airbag sensor connectors.

NOTICE:

- Connection of the connector is done after the sensor assembly has been installed.
- Make sure the sensor assembly is installed with the specified torque.
- If the sensor assembly has been dropped, or there are cracks, dents or other defects in the case, bracket or connector, replace the sensor assembly with a new one.
- When installing the sensor assembly, take care that the SRS wiring does not interfere with other parts and is not pinched between other parts.
- After installing, shake the sensor assembly to check that there is no looseness.

2. INSTALL CENTER LOWER INSTRUMENT CLUSTER FINISH PANEL ASSEMBLY
3. INSTALL FRONT CONSOLE BOX
4. INSTALL REAR CONSOLE BOX WITH CONSOLE REAR END PANEL
5. INSTALL UPPER CONSOLE PANEL
6. INSTALL TRANSFER SHIFT LEVER KNOB
7. INSTALL FRONT SEAT (See page [BO-1 17](#))
8. INSPECT SRS WARNING LIGHT (See page [DI-692](#))

REMOVAL

NOTICE:

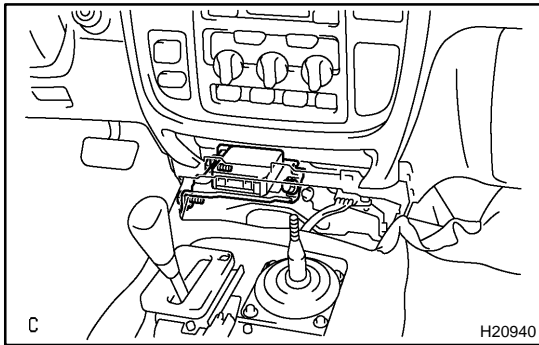
Do not open the cover or the case of the ECU and various electrical devices unless absolutely necessary.

(If the IC terminals are touched, the IC may be destroyed by static electricity.)

HINT:

For step 2 to 6, refer to page [BO-84](#) .

1. REMOVE FRONT SEAT (See page [BO-105](#))
2. REMOVE TRANSFER SHIFT LEVER KNOB
3. REMOVE UPPER CONSOLE PANEL
4. REMOVE REAR CONSOLE BOX WITH CONSOLE REAR END PANEL
5. REMOVE FRONT CONSOLE BOX
6. REMOVE CENTER LOWER CLUSTER FINISH PANEL ASSEMBLY



7. REMOVE AIRBAG SENSOR ASSEMBLY

- (a) Disconnect the airbag sensor connectors.

NOTICE:

Disconnect the connectors with the airbag sensor assembly installed.

- (b) Remove the 3 bolts and the airbag sensor assembly.

REPLACEMENT

REPLACEMENT REQUIREMENTS

In the following cases, replace the airbag sensor assembly.

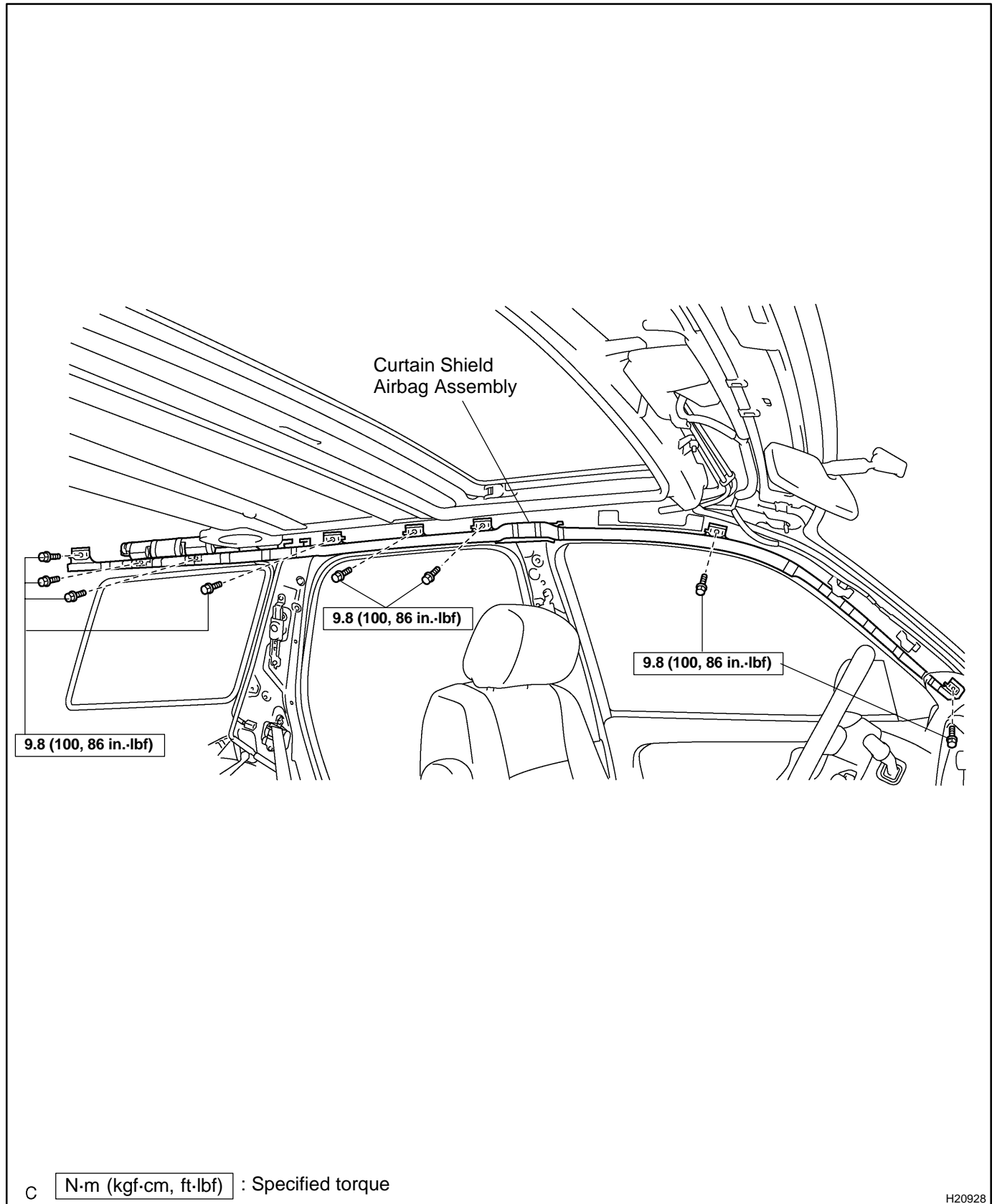
- If the SRS has been deployed in a collision.
- If the airbag sensor assembly has been found to be faulty in troubleshooting.
- If the airbag sensor assembly has been dropped.

CAUTION:

For removal and installation of the airbag sensor assembly, see page [RS-70](#) and [RS-73](#) . Be sure to follow the correct procedure.

CURTAIN SHIELD AIRBAG ASSEMBLY COMPONENTS

RS0N2-11



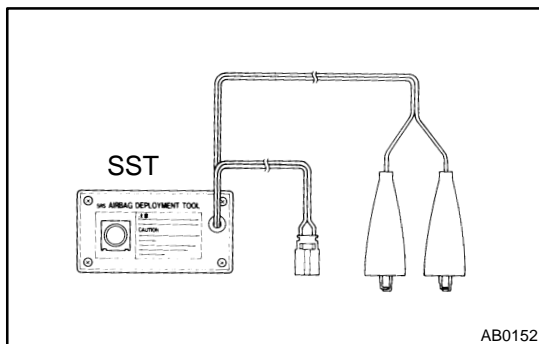
DISPOSAL

HINT:

When scrapping vehicles equipped with an SRS or disposing of the side airbag assembly always first deploy the airbag in accordance with the procedure described below. If any abnormality occurs with the airbag deployment, contact the SERVICE DEPT. of TOYOTA MOTOR SALES, U.S.A., INC.

CAUTION:

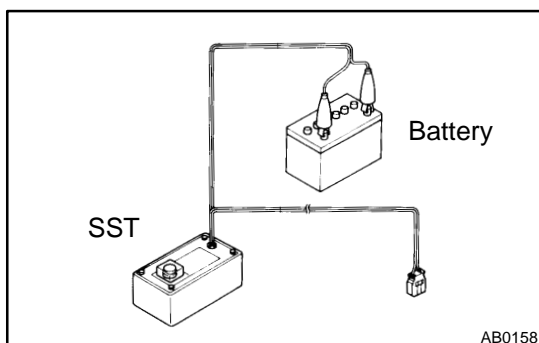
- Never dispose of a curtain shield airbag assembly of which airbag has not been deployed.
- The airbag produces a sizeable exploding sound when it deploys, so perform the operation out-of-doors and where it will not create a nuisance to nearby residents.



- When deploying the airbag, always use the specified SST (SRS Airbag Deployment Tool), perform the operation in a place away from electrical noise.

SST 09082-00700

- When deploying an airbag, perform the operation at least 10 m (33 ft) away from the airbag assembly.
- The side airbag assembly is very hot when the airbag is deployed, so leave it alone for at least 30 minutes after deployment.
- Use gloves and safety glasses when handling side airbag assembly with the deployed airbag.
- Always wash your hands with water after completing the operation.
- Do not apply water, etc. to a side airbag assembly with the deployed airbag.



1. AIRBAG DEPLOYMENT WHEN SCRAPPING VEHICLE

HINT:

Have a battery ready as the power source to deploy the airbag.

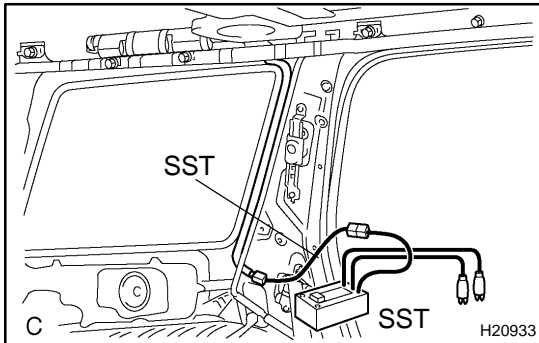
- (a) Check the function of the SST (See step 1-(a) on page [RS-20](#)).

SST 09082-00700

- (b) Disconnect the curtain shield airbag connector.

NOTICE:

When handling the airbag connector, take care not to damage the airbag wire harness.

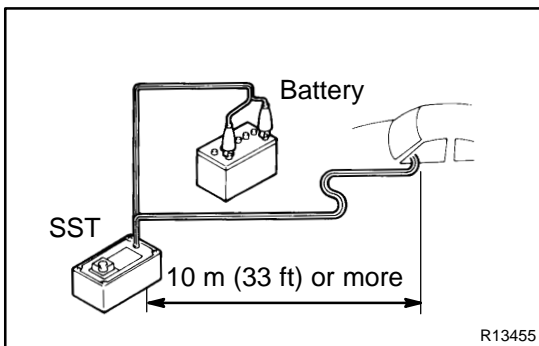


- (c) Install the SST.
 (1) Connect the connectors of the SST to the airbag connector.

SST 09082-00700, 09082-00760

NOTICE:

To avoid damaging the SST connector and wire harness, do not lock the secondary lock of the twin lock.



- (2) Move the SST at least 10 m (33 ft) away from the front of the vehicle.
 (3) Close all the doors and windows of the vehicle.

NOTICE:

Take care not to damage the SST wire harness.

- (4) Connect the SST red clip to the battery positive (+) terminal and the black clip to the battery negative (-) terminal.

- (d) Deploy the airbag.
 (1) Check that no one is inside the vehicle or within 10 m (33 ft) area around the vehicle.
 (2) Press the SST activation switch and deploy the airbag.

CAUTION:

- **The curtain shield airbag assembly is very hot when the airbag is deployed, so leave it alone for at least 30 minutes after deployment.**
- **Use gloves and safety glasses when handling the curtain shield airbag assembly with the deployed airbag.**
- **Do not apply water, etc. to the curtain shield airbag assembly with the deployed airbag.**
- **Always wash your hands with water after completing the operation.**
- **When scrapping a vehicle, deploy the airbag and scrap the vehicle with the curtain shield airbag assembly still installed.**

HINT:

The airbag deploys as the LED of the SST activation switch comes on.

2. DEPLOYMENT WHEN DISPOSING OF CURTAIN SHIELD AIRBAG ASSEMBLY

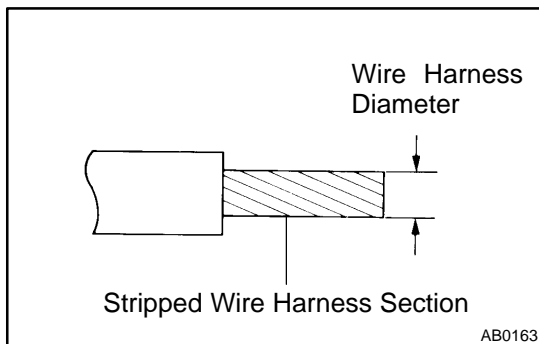
NOTICE:

- When disposing of the curtain shield airbag assembly only, never use the customer's vehicle to deploy the airbag.
- Be sure to follow the procedure given below when deploying the airbag.

HINT:

Have a battery ready as the power source to deploy the airbag.

- (a) Remove the curtain shield airbag assembly (See page [RS-59](#)).
- (b) Cut off the deployment section in airbag from inflator.



- (c) Using a service-purpose wire harness, tie down the curtain shield airbag assembly to the tire.

**Wire harness: Stripped wire harness section
1.25 mm² or more (0.0019 in². or more)**

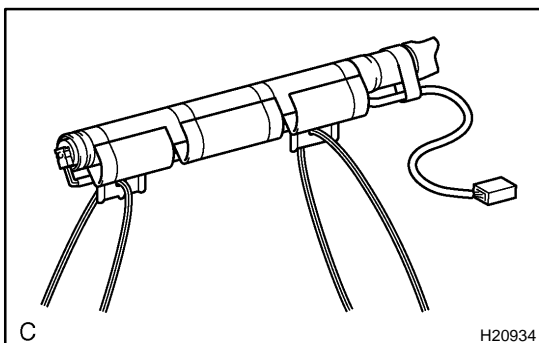
CAUTION:

If a wire harness which is too thin or some other thing is used to tie down the curtain shield airbag assembly, it may be snapped by the shock when the airbag is deployed. This is highly dangerous. Always use a wire harness for vehicle use which is at least 1.25 mm² (0.0019 in².).

HINT:

To calculate the square of the stripped wire harness section-

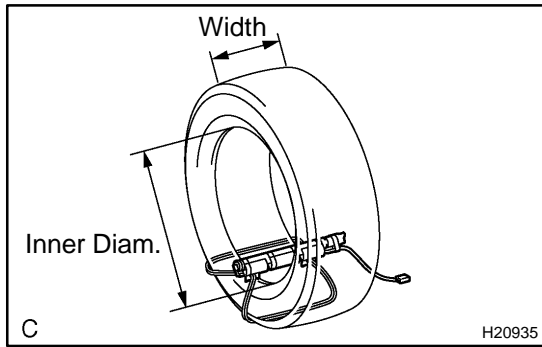
$$\text{Square} = 3.14 \times (\text{Diameter})^2 \text{ divided by } 4$$



- (1) Passing the wire harness through the installation holes as shown in the illustration.

RS-64

SUPPLEMENTAL RESTRAINT SYSTEM - CURTAIN SHIELD AIRBAG ASSEMBLY



- (2) Position the curtain shield airbag assembly inside the tire with the airbag deployment direction facing inside.

Tire size: Must exceed the following dimensions-

Width: 185 mm (7.28 in.)

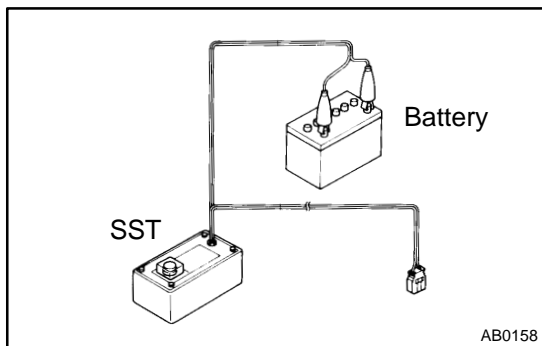
Inner diameter: 360 mm (14.17 in.)

CAUTION:

Make sure that the wire harness is tight. It is very dangerous when a loose wire harness results in the curtain shield airbag assembly coming free due to the shock from the airbag deploying.

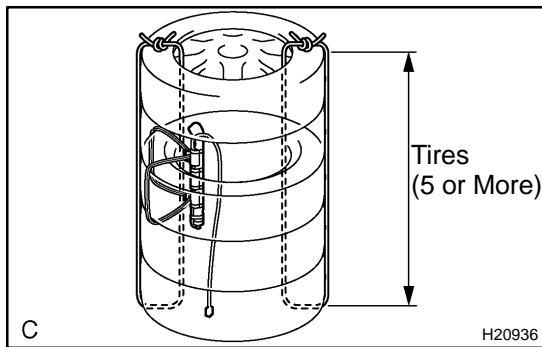
NOTICE:

The tire will be marked by the airbag deployment, so when disposing of the airbag use a redundant tire.



- (d) Check the function of the SST (See step 1-(a) on page [RS-20](#)).

SST 09082-00700

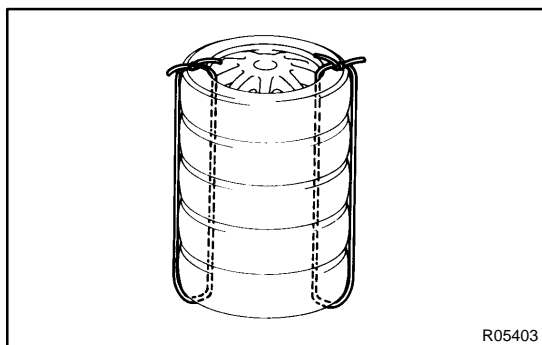


- (e) Place the tires.

CAUTION:

Place the tire so that the deployment direction of the curtain shield airbag will be downward.

- (1) Place at least 2 tires under the tire to which the side airbag assembly is tied.
- (2) Place at least 2 tires over the tire to which the side airbag assembly is tied. The top tire should have the wheel installed.



- (3) Tie the tires together with 2 wire harnesses.

CAUTION:

Make sure that the wire harnesses are tight. It is very dangerous when loose wire harness results in the tires coming free due to the shock from the airbag deploying.

HINT:

Place the SST connector and wire harness inside tires. Secure at least 1 m (3 ft) of slack for the wire harness.