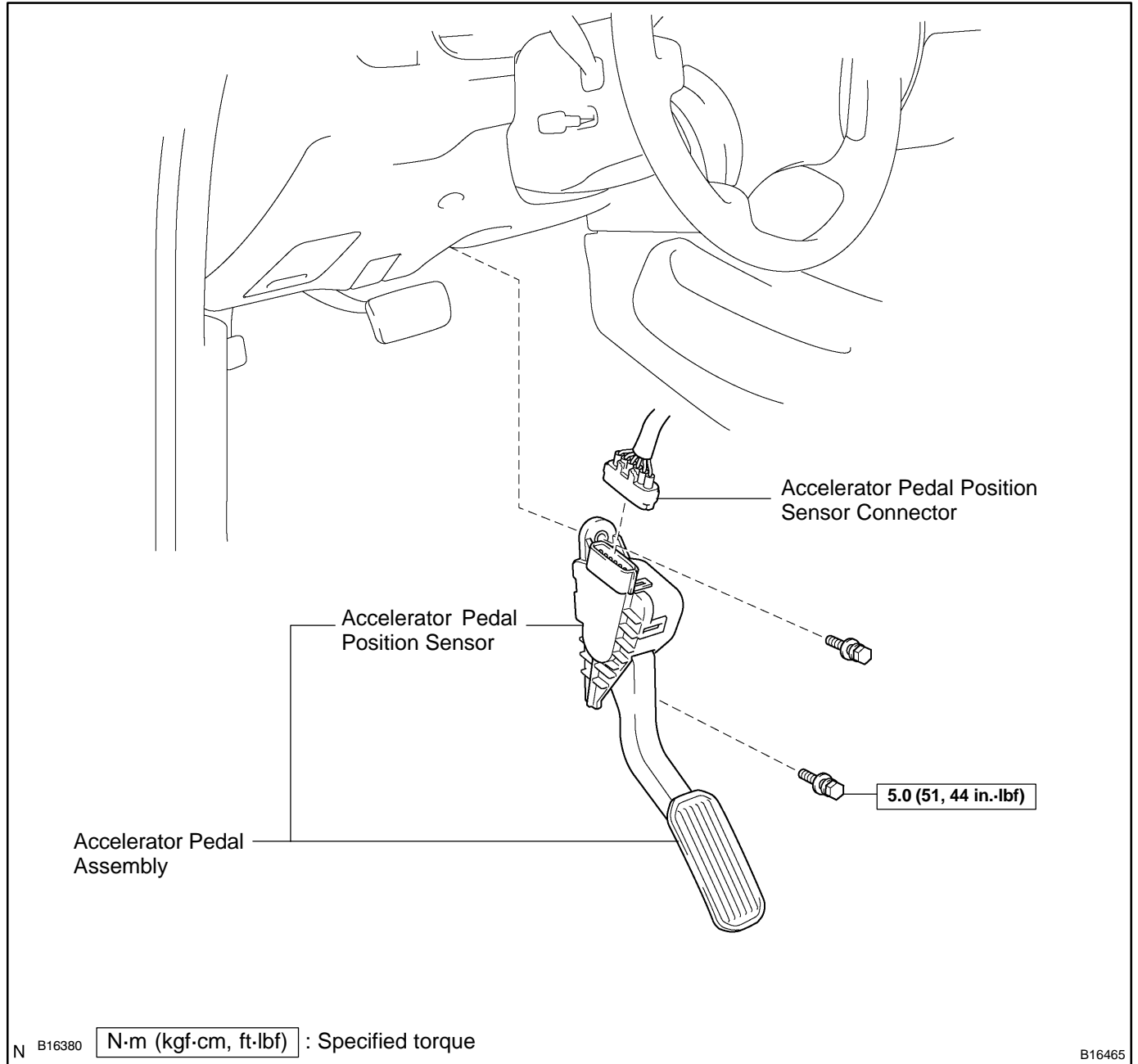


ACCELERATOR PEDAL POSITION SENSOR COMPONENTS

SF1UM-03



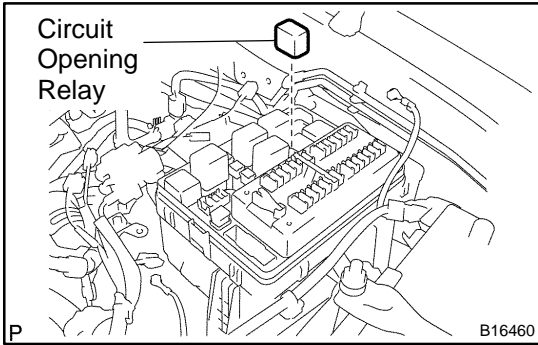
INSPECTION

INSPECT ACCELERATOR PEDAL POSITION SENSOR (See page [DI-318](#))

If necessary, replace the accelerator pedal assembly.

NOTICE:

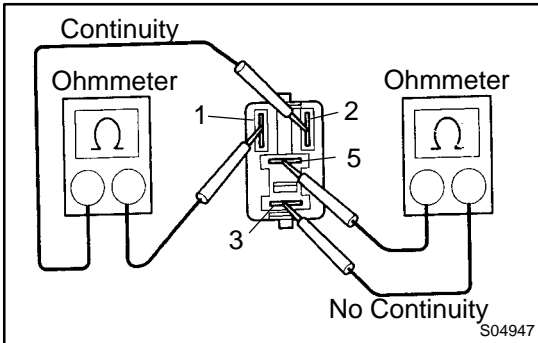
- ◆ Be careful not to give a shock to the accelerator pedal assembly.
- ◆ Be careful not to disassemble the accelerator pedal assembly.



CIRCUIT OPENING RELAY INSPECTION

SF136-06

1. REMOVE RELAY BOX COVER
2. REMOVE CIRCUIT OPENING RELAY (Marking: C/OPN)

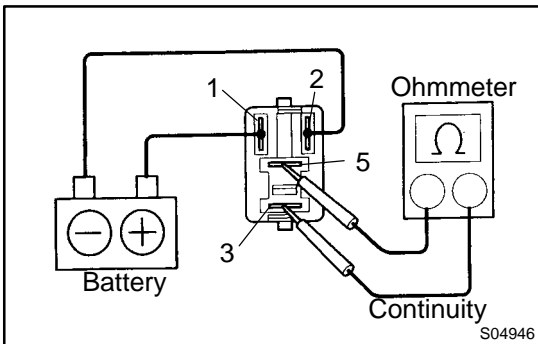


3. INSPECT CIRCUIT OPENING RELAY CONTINUITY
 - (a) Using an ohmmeter, check that there is a continuity between terminal 1 and 2.

If there is no continuity, replace the relay.

 - (b) Check that there is no continuity between terminal 3 and 5.

If there is a continuity, replace the relay.

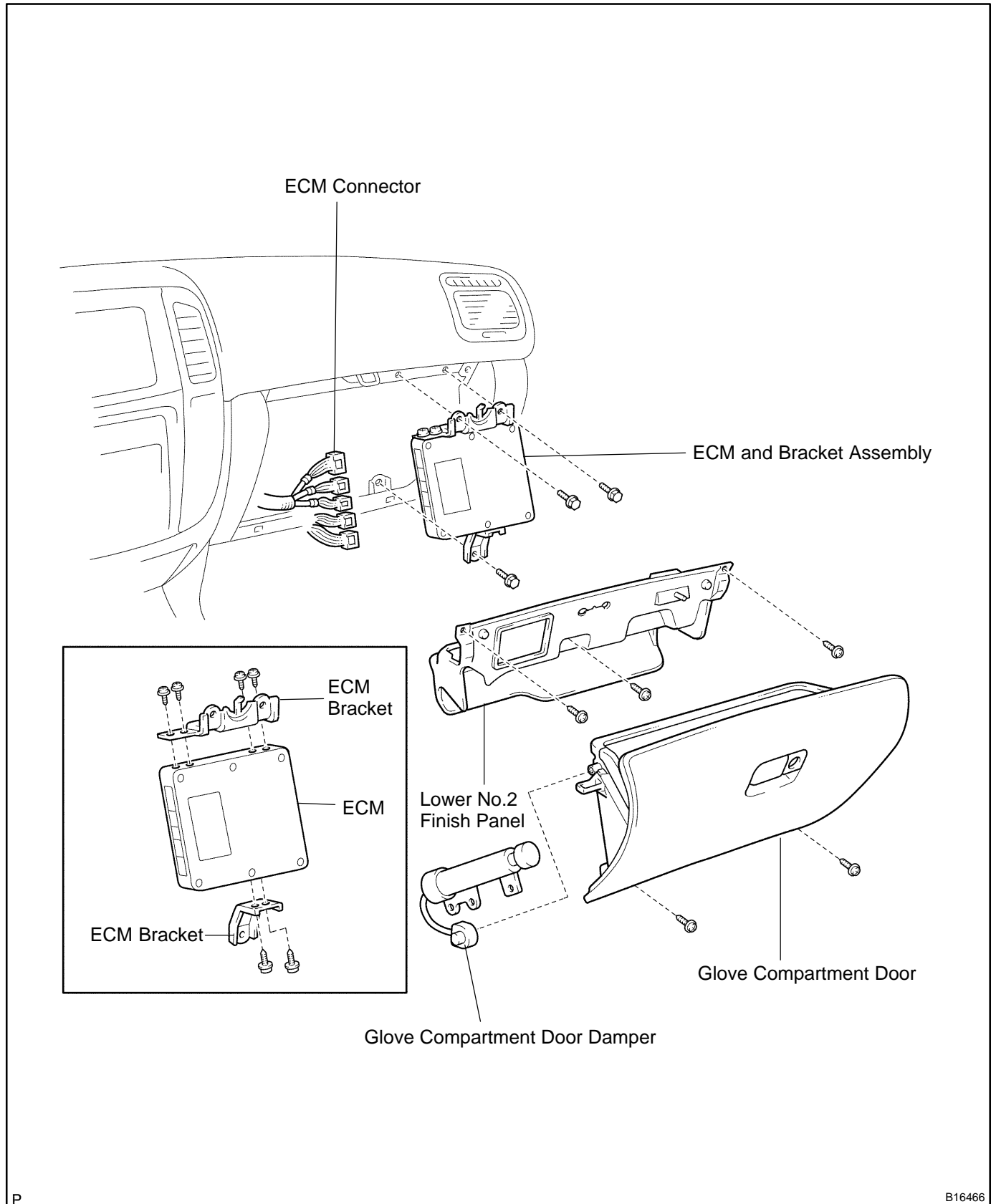


4. INSPECT CIRCUIT OPENING RELAY OPERATION
 - (a) Apply the battery positive voltage across terminal 1 and 2.
 - (b) Using an ohmmeter, check that there is a continuity between terminal 3 and 5.

If there is no continuity, replace the relay.
5. REINSTALL CIRCUIT OPENING RELAY
6. REINSTALL RELAY BOX COVER

ENGINE CONTROL MODULE (ECM) COMPONENTS

SF000-12



INSPECTION

1. REMOVE ECM
2. INSPECT ECM (See page [DI-46](#))
3. REINSTALL ECM

