

TOYOTA

G40, G45, G50, G52, G53

G54, G55, G56, G57, G58

TRANSMISSION

REPAIR MANUAL

Aug., 1988

TL
215
.T69
1988

Pub. No. RM141E

TOYOTA MANUAL TRANSMISSION G40, G45, G50, G52, G53 G54, G55, G56, G57 AND G58 REPAIR MANUAL

INTRODUCTION	IN
MANUAL TRANSMISSION	MT
SERVICE SPECIFICATIONS	A
STANDARD BOLT TORQUE SPECIFICATIONS	B
SST AND SSM	C

INTRODUCTION

	Page
HOW TO USE THIS MANUAL	IN-2
GENERAL REPAIR INSTRUCTIONS	IN-4
ABBREVIATIONS USED IN THIS MANUAL	IN-6

IN

HOW TO USE THIS MANUAL

To assist you in finding your way through the manual, the Section Title and major heading are given at the top of every page.

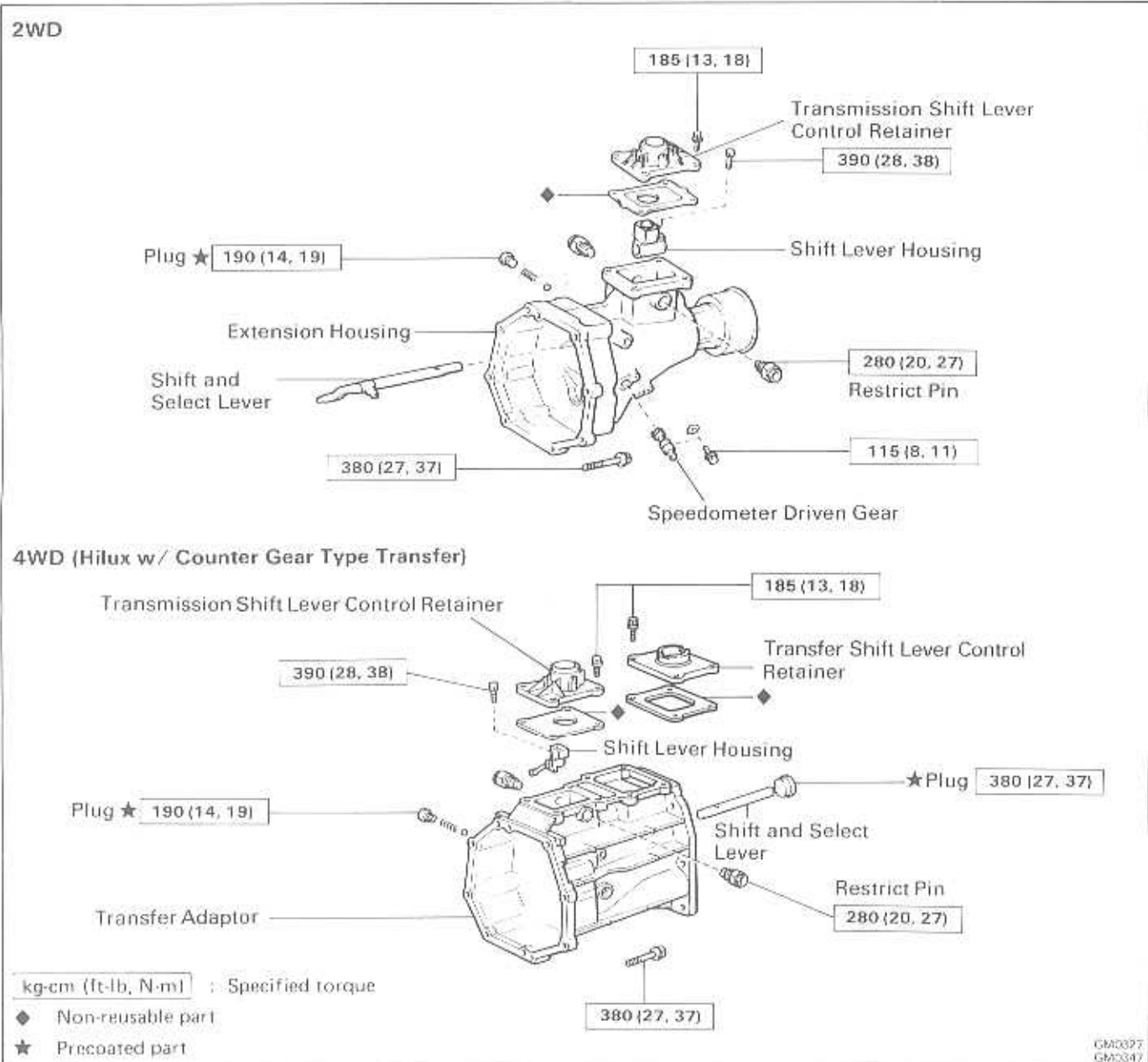
An **INDEX** is provided on the 1st page of each section to guide you to the item to be repaired.

At the beginning of each section, **PRECAUTIONS** are given that pertain to *all* repair operations contained in that section. *Read these precautions before starting any repair task.*

REPAIR PROCEDURES

Most repair operations begin with an overview illustration. It identifies the components and shows how the parts fit together.

Example:



GENERAL REPAIR INSTRUCTIONS

1. Use fender, seat and floor covers to keep the vehicle clean and prevent damage.
2. During disassembly, keep parts the appropriate in order to facilitate reassembly.
3. Observe the following:
 - (a) Before performing electrical work, disconnect the negative cable from the battery terminal.
 - (b) If it is necessary to disconnect the battery for inspection or repair, always disconnect the cable from the negative (-) terminal which is grounded to the vehicle body.
 - (c) To prevent damage to the battery terminal post, loosen the terminal nut and raise the cable straight up without twisting or prying it.
 - (d) Clean the battery terminal posts and cable terminals with a shop rag. Do not scrape them with a file or other abrasive object.
 - (e) Install the cable terminal to the battery post with the nut loose, and tighten the nut after installation. Do not use a hammer or such to tap the terminal onto the post.
 - (f) Be sure the cover for the positive (+) terminal is properly in place.
4. Check hose and wiring connectors to make sure that they are secure and correct.
5. Non-reusable parts
 - (a) Always replace cotter pins gaskets, O-rings, oil seals, etc. with new ones.
 - (b) Non-reusable parts are indicated in the component illustrations by the "◆" symbol.
6. Precoated Parts

Precoated parts are bolts and nuts, etc. that are coated with a seal lock adhesive at the factory.

- (a) If a precoated part is retightened, loosened or caused to move in any way, it must be recoated with the specified adhesive.
- (b) Recoating of Precoated Parts
 - (1) Clean off the old adhesive from the bolt, nut or threads.
 - (2) Dry with compressed air.
 - (3) Apply the specified seal lock adhesive to the part's threads.
- (c) Precoated parts are indicated in the component illustrations by the "★" symbol.



7. When necessary, use a sealer on gaskets to prevent leaks.
8. Carefully observe all specifications for bolt torques. Always use a torque wrench.
9. Use of special service tools (SST) and special service materials (SSM) may be required, depending on the nature of the repair. Be sure to use SST and SSM where specified and follow the proper work procedure. A list of SST and SSM can be found at the back of this manual.
10. When replacing fuses, be sure the new fuse has the correct amperage. DO NOT exceed the fuse amp rating or use one of lower rating.
11. Care must be taken when jacking up and supporting the vehicle. Be sure to lift and support the vehicle at the proper locations.
 - (a) If the vehicle is to be jacked up only at the front or rear end, be sure to block the wheels at the opposite end in order to ensure safety.
 - (b) After the vehicle is jacked up, be sure to support it on stands. It is extremely dangerous to do any work on a vehicle raised on a jack alone, even for a small job that can be finished quickly.

ABBREVIATIONS USED IN THIS MANUAL

FIPG	Formed in Place Gasket
in.	Inch
MP	Multipurpose
SSM	Special Service Materials
SST	Special Service Tools
2WD	Two Wheel Drive Vehicles (4 × 2)
4WD	Four Wheel Drive Vehicles (4 × 4)
w/	With