

L - WIRING DIAGRAMS

Article Text

1991 Toyota MR2

For Electronics & Computers El Camino Real Santa Clara CA 95051

Copyright © 1997 Mitchell International

Wednesday, November 25, 1998 03:32AM

ARTICLE BEGINNING

1991 ENGINE PERFORMANCE
Toyota Wiring Diagrams

Camry, Celica, Corolla, Cressida,
Land Cruiser, MR2, Pickup, Previa,
Supra, Tercel, 4Runner

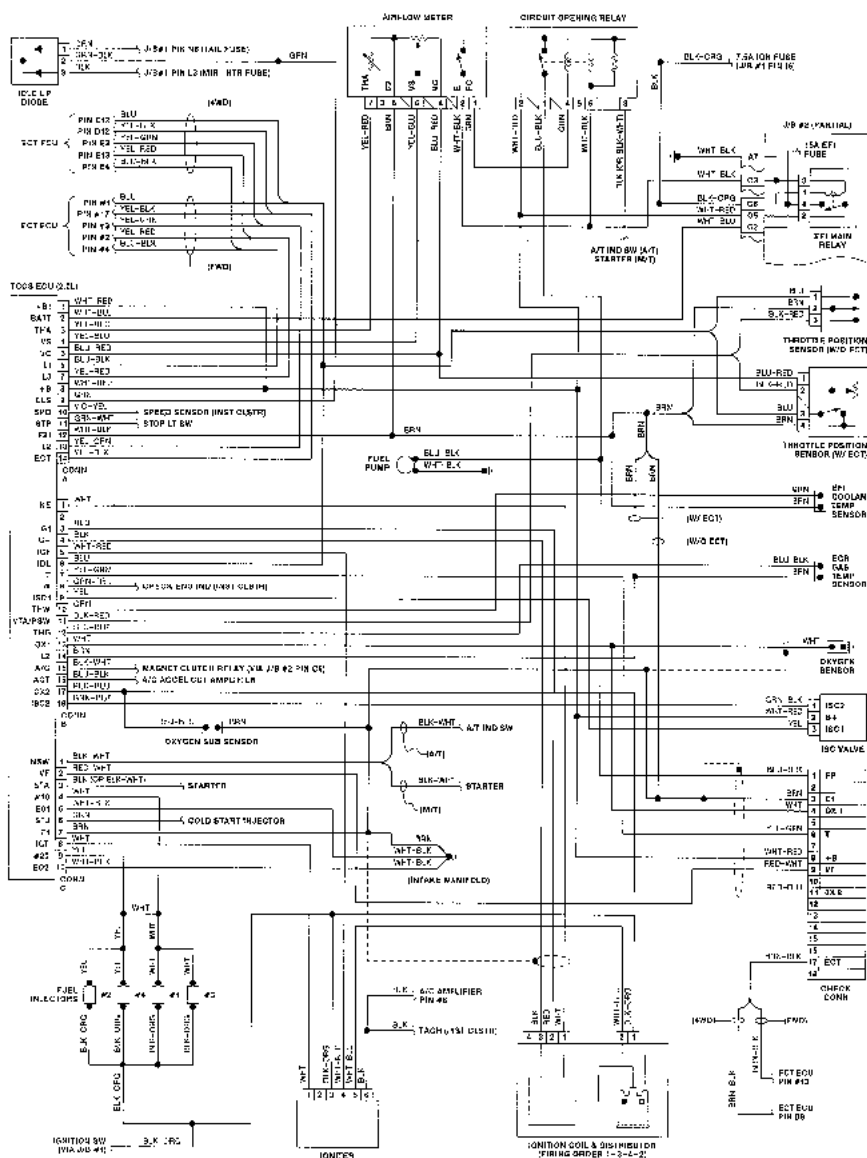


Fig. 1: Wiring Diagram (Camry 2.0L)

L - WIRING DIAGRAMS

Article Text (p. 2)

1991 Toyota MR2

For Electronics & Computers El Camino Real Santa Clara CA 95051

Copyright © 1997 Mitchell International

Wednesday, November 25, 1998 03:32AM

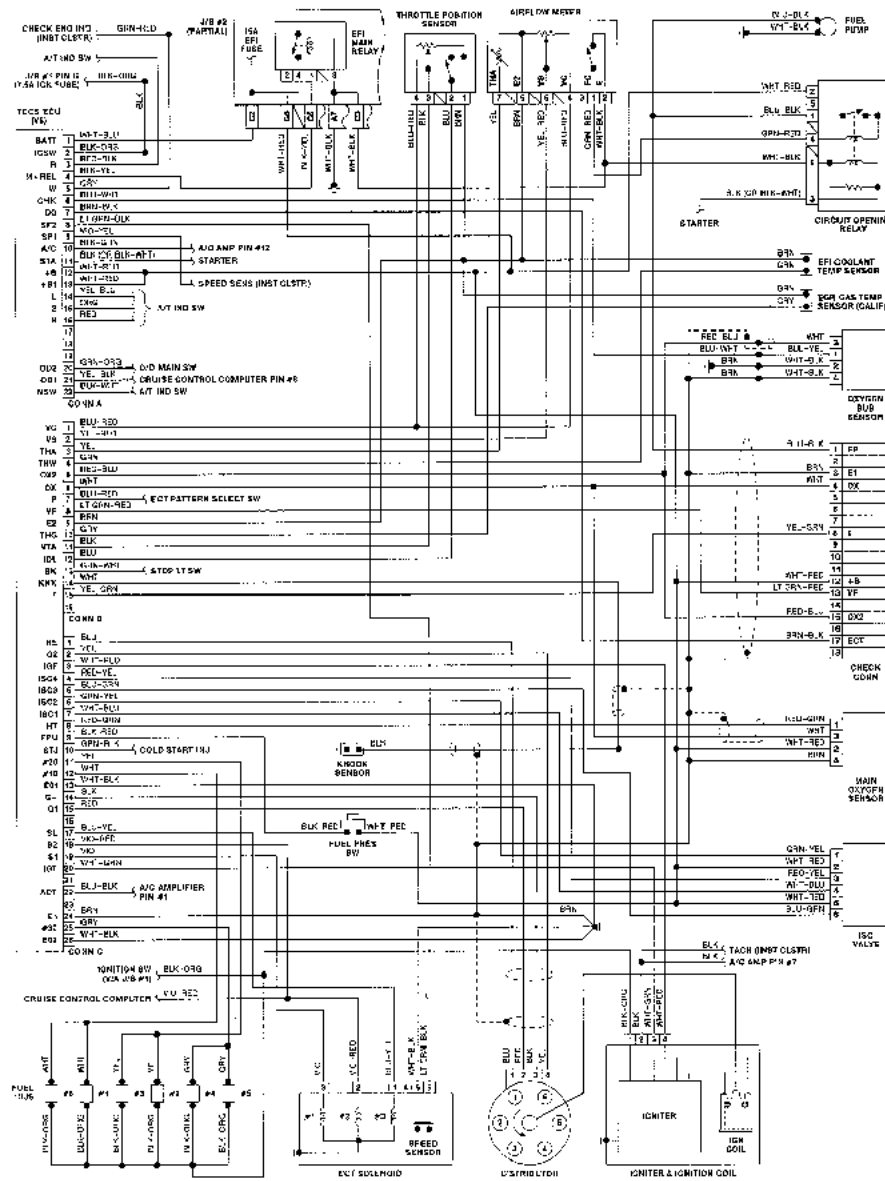


Fig. 2: Wiring Diagram (Camry 2.5L)