

Terex Tr45 Off Highway Truck Parts Book

Full download: <http://manualplace.com/download/terex-tr45-off-highway-truck-parts-book/>

[CLICK HERE FOR
STANDARD
TABLE OF CONTENTS](#)

[CLICK HERE FOR
OPTIONAL
TABLE OF CONTENTS](#)



TEREX

Parts Book

[CLICK HERE TO RETURN TO
MAIN LIBRARY INDEX](#)

**Part Number
15272779**

TR45 Off-Highway Truck

(Cummins QSK19-C525 Powered)

From Serial No. T7811001

22 February 99

Revised Jan 02

PUBLISHED BY:
PRODUCT SUPPORT DEPARTMENT

TEREX EQUIPMENT LIMITED
MOTHERWELL, SCOTLAND

THIS PAGE IS INTENTIONALLY LEFT BLANK



WARRANTY ON PARTS AND ATTACHMENTS

Terex Equipment Limited warrants that for a period of six months after sale of new Terex replacement parts or attachments by an authorised Terex dealer it will repair, or at its option, replace any defective or malfunctioning part or attachment. This warranty covers only malfunctions resulting from defects in material or workmanship.

This warranty does not cover malfunctions resulting from negligence, alteration, accident or overloading; use for a purpose for which the part or attachment is not designed or approved by Terex; loss of time, inconvenience, loss of use of the vehicle or other consequential damages; or labour for removal or reinstallation of defective or malfunctioning parts or attachments.

Repairs or replacements qualifying under this warranty will be performed by any authorised Terex dealer within a reasonable time following delivery of the malfunctioning part or attachment to the dealer's place of business.

Defective or malfunctioning parts or attachments must be delivered to an authorised Terex dealer's place of business during regular business hours for warranty repairs or replacements. The dealer must be furnished with the purchaser's copy of the sales slip or repair order to validate date of purchase.

* * * * *

SOLE WARRANTY

This is the only express warranty applicable to new Terex parts and attachments sold by Terex dealers and Terex neither assumes nor authorises anyone to assume for it any other obligation or liability in connection with such parts or attachments.

THIS PAGE IS INTENTIONALLY LEFT BLANK



INSTRUCTIONS FOR USE OF TEREX PARTS BOOK

This Parts Book is divided into Major Sections which cover components corresponding to specific areas of the machine.

Printed at the top left hand corner of each Parts Page is an Index Code which includes three numbers - the first of these relates to a Major Section, the second indicates a Sub-section within a Major Section and the last the model PLI number. Certain Major Sections may not apply to the particular model covered in this Parts Book and, consequently, will be omitted.

An illustrated Index page shows all the Major Component Section numbers included in the book. For example -

SECTION 100 - CHASSIS

SECTION 140 - FRONT AXLE GROUP

SECTION 230 - BODY HOIST SYSTEM etc.

Major Component Sections are listed in the 'Table Of Contents' pages together with Sub-section headings.
For example to locate the serviceable items of a Steering Cylinder -

1. The Table of Contents shows the steering components to be in Major Section 220.
2. The steering cylinder is listed in Major Section 220, Sub-section 0120
3. Select the Parts Page Code that applies to the unit Serial number for which parts are needed and locate the Page with reference number.
EXAMPLE - 220-0120.

SERIAL NUMBERS - Each Parts Book covers a particular range of unit Serial Numbers.

It is important that unit Serial Numbers are quoted on all orders for Parts.

PARTS LISTS - Parts Forms usually consist of detailed parts information listed on one page together with a parts illustration on the opposite page. The parts list is printed in the order of the reference numbers shown on the parts illustration. The first column lists Note Letters; the second lists the reference numbers; the third shows quantity required and the fourth gives the parts descriptions. Parts which are part of an assembly have their descriptions indented beneath the assembly description.

ILLUSTRATIONS - These show typical assemblies and individual piece parts. They are intended for general reference only and may not always show exact details of parts. Parts are identified on each illustration with an item number. Note the item number of the part required and locate it in the parts list. The part number opposite the item number is the part to order.

INDENTATIONS - Parts which are indented under another part are Sub-groups of a Major Assembly or Sub-assembly. Parts which are not indented are major assemblies or individual component parts which do not belong to a major assembly.

EXAMPLE - 1 9052564 Pump Assy.
 2 9058512 . Shaft
 3 9024169 . Ring
 4 9058132 . Control Assy.
 5 9058135 . . Spring
 6 9072162 Gasket

- If you order Item 1, you will receive Items 1 - 5.
- If you order Item 4, you will receive Items 4 and 5.
- If you order Item 6, you will receive only Item 6.

NOTES - Whenever there is an alphabetical symbol to the left of the item number, refer to the corresponding note at the bottom of the form for information regarding ordering or application of the particular part number(s) noted.

ABBREVIATIONS - The abbreviations in this book have the following meanings -

Amps Amperes
As R As Required
Assy Assembly
Brkt Bracket
Cad-Pltd Cadmium Plated
Comm Commencement of production
E.S.N Elastic Stop Nut
Ftgs Fittings

Hsg Housing
I.D Inside Diameter
L.H Left Hand
L.W Lockwasher
Lg Long
Lkg Linkage
Mtg Mounting
N.C Note Code

N.I Not Illustrated
N.L.A No Longer Available
N.S.S Not Sold Separately
O.D Outside Diameter
Pr Pair
P.T.O Power-Take-Off
R.H Right Hand
Std Standard



Truck



STANDARD SECTIONS



CHASSIS

100



ENGINE

110



TRANSMISSION

120



DRIVELINE

130



FRONT AXLE

140



REAR AXLE

160



BRAKE PARTS

165



SUSPENSION SYSTEM

180



ELECTRICAL SYSTEM

190



FUEL SYSTEM

200



COOLING SYSTEM

210



STEERING SYSTEM

220



BODY SYSTEM

230



BRAKING SYSTEM

250



CAB

260



BODY

270



DECALS

290



MISCELLANEOUS

300

TABLE OF CONTENTS FOR MODEL

TR45 QSK19C ENG

FROM SERIAL NO T7811001

28/01/02

SECT - PAGE - PLI DESCRIPTION

SECTION 100 CHASSIS

100-0010-7811	CHASSIS	
100-0040-7811	HOOD AND MOUNTING	
100-0070-7811	FENDERS AND MOUNTING	R1 01/00
100-0070-7811	FENDERS AND MOUNTING	R2 01/02
100-0090-7811	LADDERS AND HANDRAILS	
100-0100-7811	RADIATOR GUARD AND MOUNTING	R1 01/00
100-0100-7811	RADIATOR GUARD AND MOUNTING	R1 05/01
100-0140-7811	MUDGUARDS	R2 05/01

SECTION 110 ENGINE

110-0020-7811	ENGINE ORDERING INSTRUCTIONS	
110-0030-7811	ENGINE AND MOUNTING	R2 05/01
110-0050-7811	AIR CLEANER	
110-0060-7811	AIR CLEANER PIPES AND HOSES	R1 01/00
110-0130-7811	POWER TAKEOFF - ENG PTO	R1 01/00

SECTION 120 TRANSMISSION

120-0010-7811	TRANSMISSION MOUNTING	R1 01/00
120-0020-7811	TRANSMISSION BREAKDOWN	R1 05/01
120-0020-7811	TRANSMISSION BREAKDOWN	05/01
120-0050-7811	CONTROL VALVE	R1 05/01
120-0050-7811	CONTROL VALVE	05/01
120-0070-7811	SHIFT CONTROL	R2 05/01
120-0070-7811	SHIFT CONTROL	R1 01/02
120-0070-7811	SHIFT CONTROL	01/02
120-0090-7811	POWER TAKEOFF - TRANS	
120-0100-7811	FILTER	R1 05/01
120-0100-7811	FILTER	05/01
120-0110-7811	OIL LINES-TRANSMISSION	
120-0190-7811	RETARDER CONTROL LINES-HYD	05/01
120-0200-7811	FRONT COVER & CONVERTER GROUP	R2 05/01
120-0200-7811	FRONT COVER & CONVERTER GROUP	05/01
120-0210-7811	CONVERTER HOUSING GROUP	R1 05/01
120-0210-7811	CONVERTER HOUSING GROUP	05/01
120-0220-7811	OIL PUMP	R1 05/01
120-0220-7811	OIL PUMP	05/01
120-0230-7811	FILTER ADAPT/REGULATOR VALVES	R1 05/01
120-0230-7811	FILTER ADAPT/REGULATOR VALVES	05/01
120-0240-7811	LOCKUP VALVE	R1 05/01
120-0240-7811	LOCKUP VALVE	05/01

SECT - PAGE - PLI DESCRIPTION

SECTION 120 TRANSMISSION

120-0250-7811	ATEC LOCKUP DROP OUT	R1 01/00
120-0250-7811	ATEC LOCKUP DROP OUT	R1 05/01
120-0260-7811	RETARDER GROUP	R1 05/01
120-0260-7811	RETARDER GROUP	05/01
120-0270-7811	RETARDER CONTROL VALVE	05/01
120-0280-7811	SPLITTER GEARING AND CLUTCHES	R1 05/01
120-0280-7811	SPLITTER GEARING AND CLUTCHES	05/01
120-0290-7811	MAIN HOUSING GROUP	R1 05/01
120-0290-7811	MAIN HOUSING GROUP	05/01
120-0300-7811	HIGH RANGE GEARING & CLUTCHES	R1 05/01
120-0300-7811	HIGH RANGE GEARING & CLUTCHES	05/01
120-0310-7811	INTER RANGE GEARING & CLUTCHES	R1 05/01
120-0310-7811	INTER RANGE GEARING & CLUTCHES	05/01
120-0320-7811	LOW RANGE GEARING & CLUTCHES	R1 05/01
120-0320-7811	LOW RANGE GEARING & CLUTCHES	05/01
120-0330-7811	REV RANGE GEARING & CLUTCHES	R1 05/01
120-0330-7811	REV RANGE GEARING & CLUTCHES	05/01
120-0340-7811	REAR COVER GROUP	R1 05/01
120-0340-7811	REAR COVER GROUP	05/01

SECTION 130 DRIVELINE

130-0010-7811	FRONT DRIVELINE	
130-0020-7811	REAR DRIVELINE	R1 05/01
130-0020-7811	REAR DRIVELINE	05/01

SECTION 140 FRONT AXLE

140-0040-7811	WHEEL, RIM AND TYRE-FRONT	
---------------	---------------------------	--

SECTION 160 REAR AXLE

160-0020-7811	DIFFERENTIAL-REAR	R2 05/01
160-0030-7811	AXLE GROUP-REAR	
160-0040-7811	PLANETARY GEARING-REAR	
160-0050-7811	WHEEL, RIM AND TYRE-REAR	

SECTION 165 BRAKE PARTS

165-0020-7811	BRAKE PARTS-FRONT WHEEL-RIGIDS	
165-0030-7811	BRAKE PARTS-REAR WHEEL-RIGIDS	R1 05/01

TABLE OF CONTENTS FOR MODEL

TR45 QSK19C ENG

FROM SERIAL NO T7811001

28/01/02

SECT - PAGE - PLI DESCRIPTION

SECTION 180 SUSPENSION SYSTEM

180-0030-7811 FRONT RIDE CYLINDER
180-0050-7811 REAR RIDE CYLINDER

SECTION 190 ELECTRICAL SYSTEM

190-0010-7811 TERMINALS
190-0011-7811 CONNECTORS
190-0030-7811 CABLES/HARNESSES-CAB R1 01/00
190-0030-7811 CABLES/HARNESSES-CAB R1 06/00
190-0030-7811 CABLES/HARNESSES-CAB R1 05/01
190-0030-7811 CABLES/HARNESSES-CAB R1 01/02
190-0030-7811 CABLES/HARNESSES-CAB 01/02
190-0040-7811 CABLES/HARNESSES-CHASS/ENG R1 01/00
190-0040-7811 CABLES/HARNESSES-CHASS/ENG R1 05/01
190-0040-7811 CABLES/HARNESSES-CHASS/ENG 05/01
190-0070-7811 BATTERY AND CABLES R2 05/01
190-0070-7811 BATTERY AND CABLES 05/01
190-0080-7811 BATTERY MOUNTING
190-0100-7811 ELECTRICAL LIGHTING SYSTEM R1 01/00
190-0100-7811 ELECTRICAL LIGHTING SYSTEM 01/00
190-0210-7811 REVERSE ALARM R1 01/00
190-0270-7811 SWITCHES AND SENSORS R3 05/01
190-0270-7811 SWITCHES AND SENSORS 05/01
190-0300-7811 RADIO CASSETTE & SPEAKERS R2 01/02
190-0300-7811 RADIO CASSETTE & SPEAKERS 01/02
190-0310-7811 ELECTRICAL HORN

SECTION 200 FUEL SYSTEM

200-0010-7811 FUEL TANK AND MOUNTING
200-0040-7811 FUEL LINES R1 01/02
200-0050-7811 ACCELERATOR LINKAGE

SECTION 210 COOLING SYSTEM

210-0010-7811 RADIATOR ASSEMBLY R1 05/01
210-0010-7811 RADIATOR ASSEMBLY 05/01
210-0020-7811 RADIATOR MOUNTING R1 01/00
210-0030-7811 RADIATOR PIPING
210-0040-7811 RADIATOR HEADER TANK AND HOSES
210-0050-7811 OIL COOLER-DISC BRAKES R1 05/01
210-0051-7811 OIL COOLER PIPING-DISC BRAKES R4 01/02

SECT - PAGE - PLI DESCRIPTION

SECTION 210 COOLING SYSTEM

210-0060-7811 OIL COOLER AND PIPING-TRANS R2 01/02
210-0060-7811 OIL COOLER AND PIPING-TRANS 01/02

SECTION 220 STEERING SYSTEM

220-0010-7811 STEERING LINES R2 01/02
220-0015-7811 STEERING LINES FILTRATION
220-0040-7811 TANK AND MOUNTING-STEERING
220-0050-7811 PUMP-STEERING
220-0060-7811 PUMP AND ACCUMULATOR MOUNTING
220-0080-7811 ACCUMULATOR-STEERING
220-0090-7811 STEERING VALVE R1 01/02
220-0110-7811 DOUBLE RELIEF VALVE
220-0120-7811 STEERING CYLINDER R1 01/00
220-0120-7811 STEERING CYLINDER R1 02/01
220-0130-7811 RELIEF VALVE-STEERING
220-0150-7811 FILTER-STEERING
220-0190-7811 STEERING LINKAGE R3 01/02
220-0190-7811 STEERING LINKAGE R1 01/02
220-0230-7811 STEERING COLUMN MOUNTING R1 06/00
220-0230-7811 STEERING COLUMN MOUNTING R1 05/01
220-0230-7811 STEERING COLUMN MOUNTING 05/01

SECTION 230 BODY SYSTEM

230-0020-7811 LINES AND FITTINGS-BODY HOIST R3 01/02
230-0021-7811 SERVO CONTROL LINES-BODY R2 05/01
230-0040-7811 TANK AND MOUNTING-BODY HOIST
230-0041-7811 BREATHER LINE-HYDRAULIC TANKS
230-0050-7811 PUMP-BODY HOIST
230-0060-7811 CONTROL VALVE-BODY HOIST
230-0070-7811 CONTROL VALVE MOUNTING
230-0081-7811 JOYSTICK-BODY CONTROL
230-0090-7811 KICK-OVER VALVE
230-0100-7811 KICK-OVER VALVE MOUNTING R1 05/01
230-0100-7811 KICK-OVER VALVE MOUNTING 05/01
230-0120-7811 RELIEF VALVE
230-0121-7811 PILOT SUPPLY VALVE
230-0130-7811 HOIST CYLINDERS R1 05/01
230-0130-7811 HOIST CYLINDERS 05/01

TABLE OF CONTENTS FOR MODEL

TR45 QSK19C ENG

FROM SERIAL NO T7811001

28/01/02

SECT - PAGE - PLI DESCRIPTION

SECTION 250 BRAKING SYSTEM

250-0020-7811	BRAKE LINES-HYDRAULIC	R3 01/02
250-0050-7811	BRAKE MANIFOLD/PAS VALVE	R1 06/00
250-0050-7811	BRAKE MANIFOLD/PAS VALVE	06/00
250-0060-7811	BRAKE ACCUMULATOR	
250-0070-7811	TREADLE VALVE	
250-0090-7811	DIRECTIONAL CONTROL VALVE	
250-0100-7811	MONOBLOCK BRAKE VALVE	
250-0130-7811	RETARDER CONTROL VALVE-BRAKES	R1 01/00
250-0240-7811	FILTER ASSEMBLY-DISC BRAKE	

SECTION 260 CAB

260-0010-7811	CAB ASSEMBLY	R1 01/00
260-0010-7811	CAB ASSEMBLY	R1 07/01
260-0010-7811	CAB ASSEMBLY	07/01
260-0011-7811	CAB CENTRE CONSOLE	R1 05/01
260-0011-7811	CAB CENTRE CONSOLE	05/01
260-0015-7811	CAB MOUNTING	R1 01/00
260-0015-7811	CAB MOUNTING	R1 05/01
260-0030-7811	CAB DOOR-LEFT HAND	R1 01/00
260-0040-7811	CAB DOOR-RIGHT HAND	R1 01/00
260-0080-7811	SWITCHES AND INSTRUMENTS	R2 02/01
260-0080-7811	SWITCHES AND INSTRUMENTS	R1 02/01
260-0080-7811	SWITCHES AND INSTRUMENTS	R1 02/01
260-0090-7811	SEAT-DRIVER	R2 05/01
260-0090-7811	SEAT-DRIVER	R1 01/02
260-0110-7811	SEAT-PASSENGER	R1 01/00
260-0110-7811	SEAT-PASSENGER	R1 06/00
260-0110-7811	SEAT-PASSENGER	R1 05/01
260-0120-7811	HEATER	R1 01/00
260-0130-7811	AIR COND./HEATER	R1 06/00
260-0140-7811	HEATER LINES AND WIRING	R1 06/00
260-0140-7811	HEATER LINES AND WIRING	R1 05/01
260-0145-7811	AIR COND. LINES	
260-0190-7811	WINDSCREEN WASHER	

SECTION 270 BODY

270-0010-7811	BODY ASSEMBLY	R2 01/02
270-0020-7811	EXHAUST HEATED BODY	R2 07/01
270-0020-7811	EXHAUST HEATED BODY	07/01
270-0080-7811	ROCK EJECTORS	

SECT - PAGE - PLI DESCRIPTION

SECTION 290 DECALS

290-0010-7811	DECALS-ENGLISH	R3 07/01
290-0010-7811	DECALS-ENGLISH	07/01

SECTION 300 MISCELLANEOUS

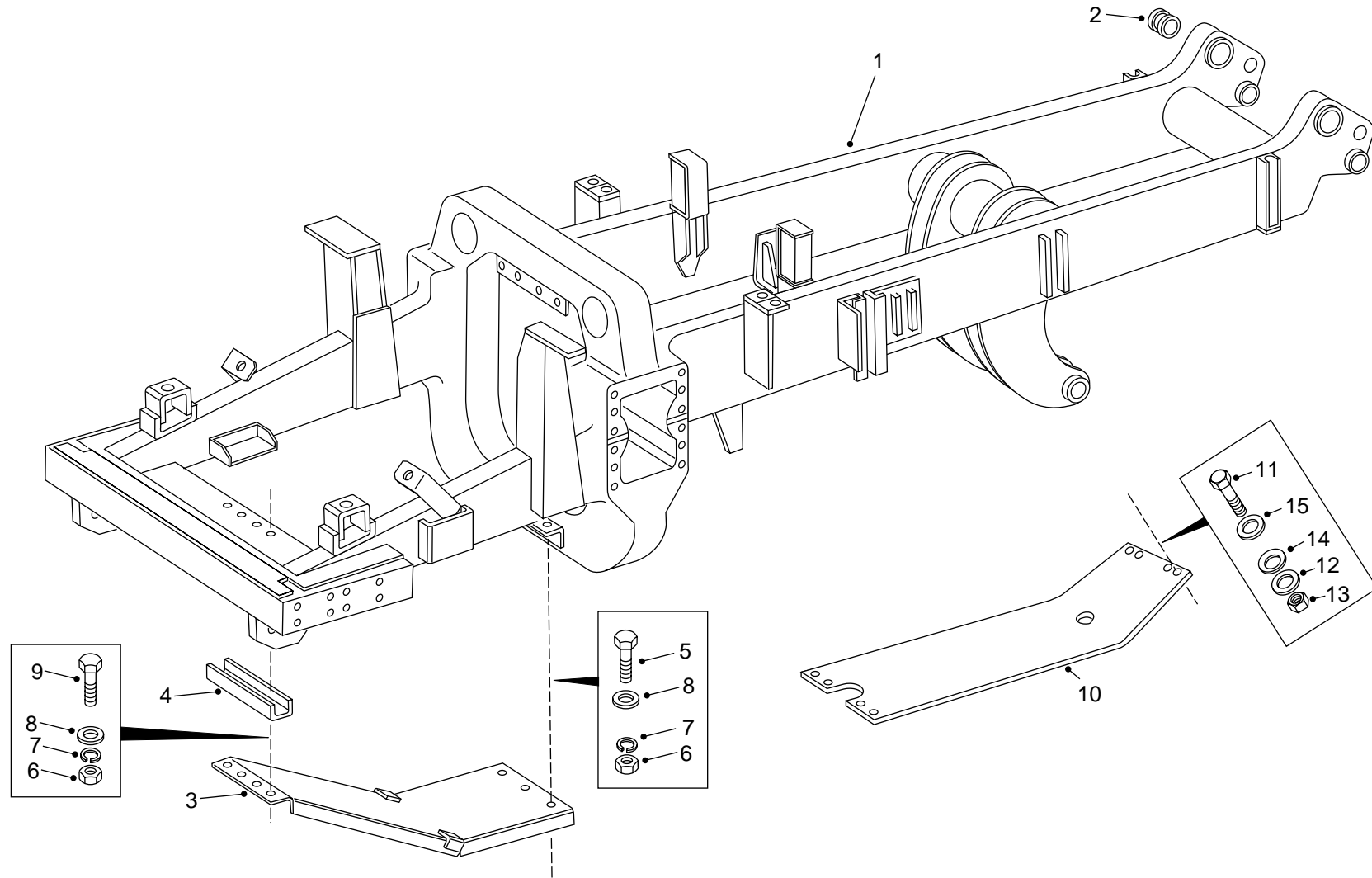
300-0040-7811	MULTI-TUBE CLAMPS AND HARDWARE	
---------------	--------------------------------	--

THIS PAGE IS INTENTIONALLY LEFT BLANK

100-0010-7811 CHASSIS
FROM SERIAL NO. T7811001

DRAWING NO. P8125

P8125



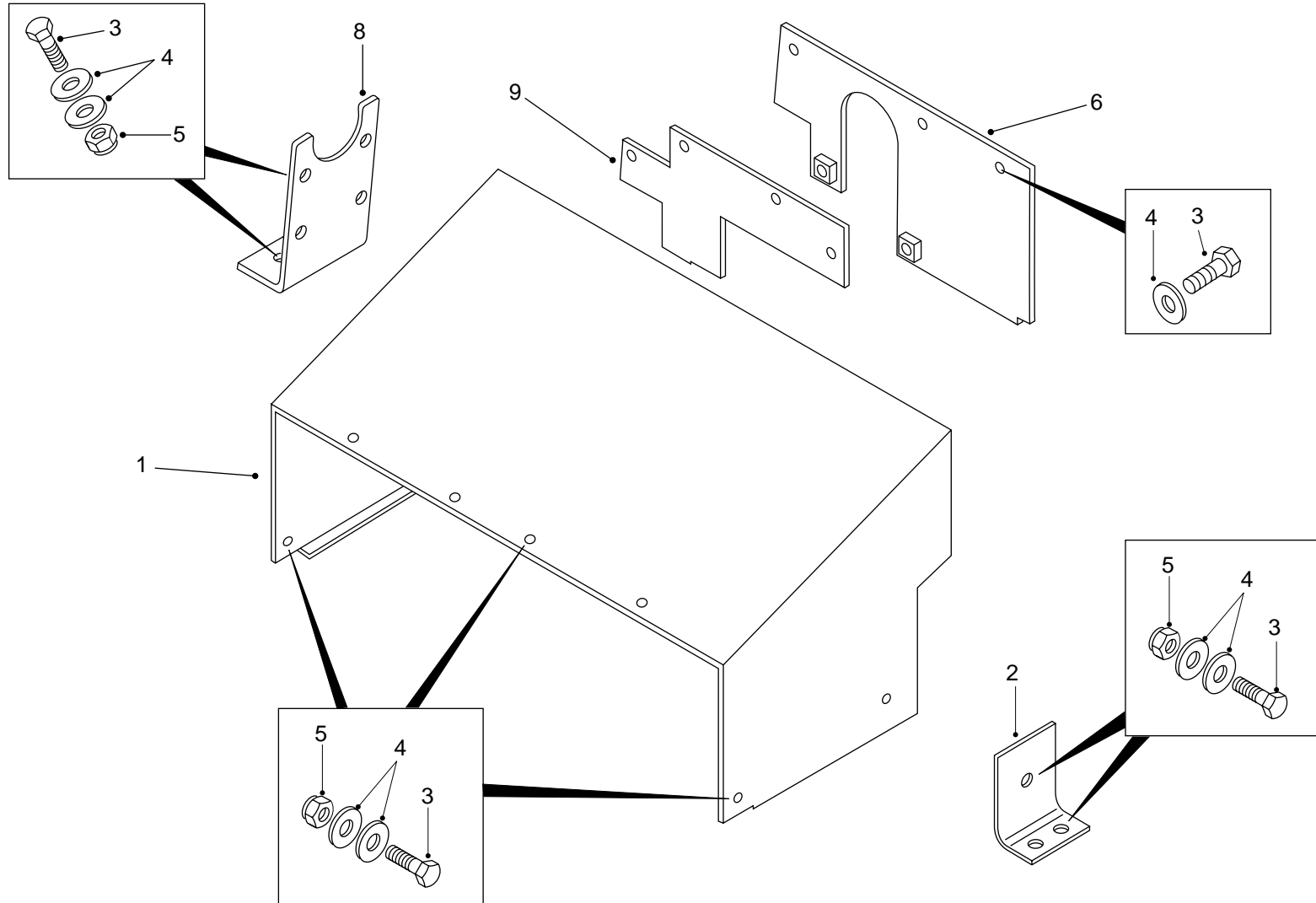
100-0010-7811 CHASSIS
FROM SERIAL NO. T7811001

NC	REF	QTY	PART NO.	DESCRIPTION	SER.NO. FROM	SER.NO. TO
001	001		15301746	FRAME ASSY COMPLETE		
002	002		09015394	.BUSHING		
003	001		15232910	GUARD ASSEMBLY		
004	001		15233762	CHANNEL		
005	003		00271612	BOLT		
006	007		00220081	NUT		
007	007		00103332	LOCKWASHER		
008	007		00106268	WASHER		
009	004		00271619	BOLT		
010	001		15001042	GUARD-TRANSMISSION		
011	008		00271620	BOLT		
012	008		09176228	WASHER-HARDENED		
013	008		09419493	LOCKNUT		
014	008		15247567	DISC-SPRING		
015	004		09011226	WASHER		

100-0040-7811 HOOD AND MOUNTING
FROM SERIAL NO. T7811001

DRAWING NO. P9190

P9190



100-0040-7811 HOOD AND MOUNTING
FROM SERIAL NO. T7811001

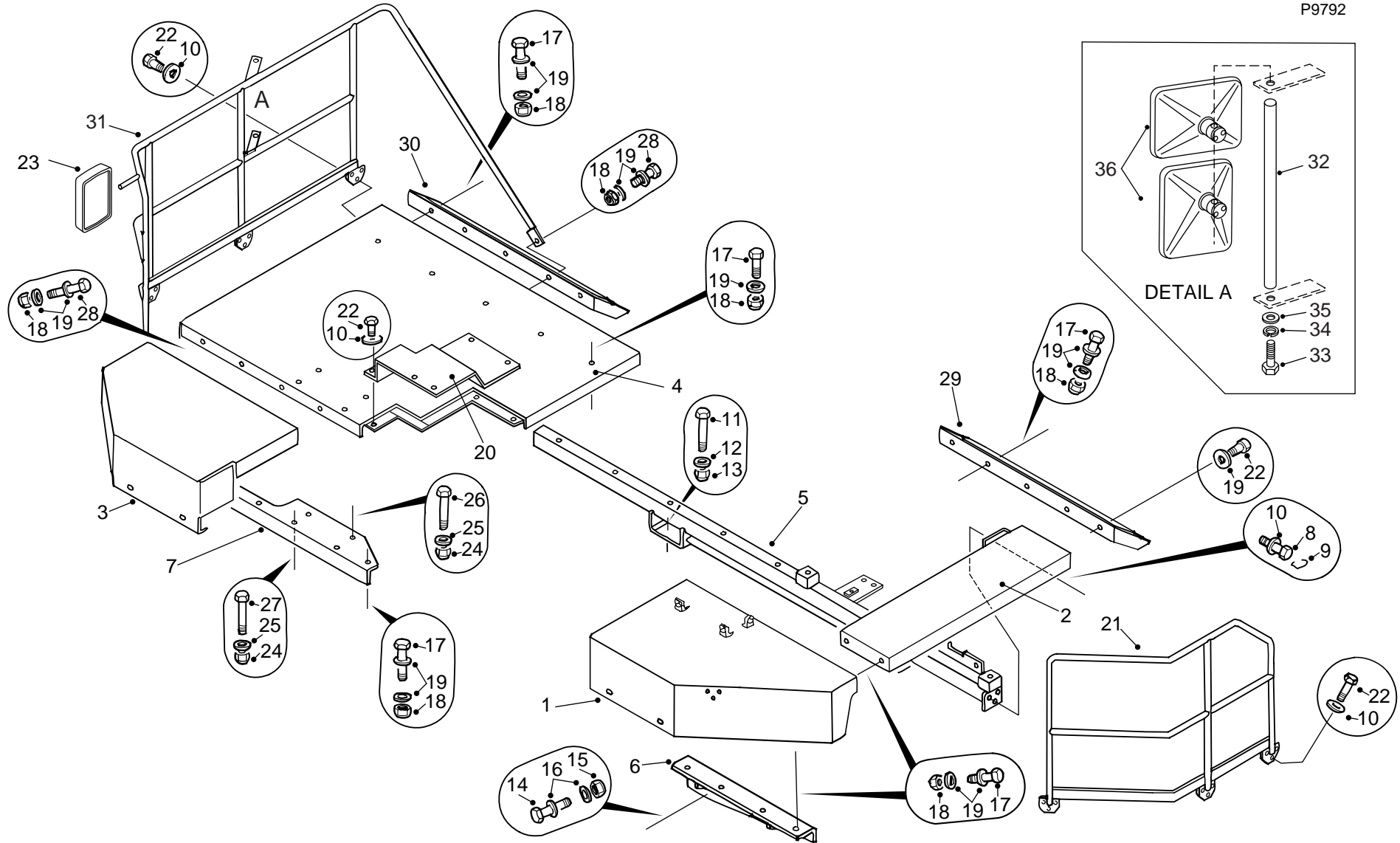
NC	REF	QTY	PART NO.	DESCRIPTION	SER.NO. FROM	SER.NO. TO
001	001		15301918	HOOD ASSEMBLY		
002	001		15252142	PLATE		
003	024		00179885	BOLT		
004	034		09267949	WASHER-HARDENED		
005	009		00120378	NUT		
006	001		15301920	BAFFLE ASSEMBLY		
007	030		09368561	BEADING		
008	001		15258428	PLATE BENT		
009	001		15258462	BAFFLE - HOOD		

R1 01/00 (ECN 101550)

100-0070-7811 FENDERS AND MOUNTING
SERIAL NO. T7811001 TO T7811019

DRAWING NO. P9792

P9792



100-0070-7811 FENDERS AND MOUNTING

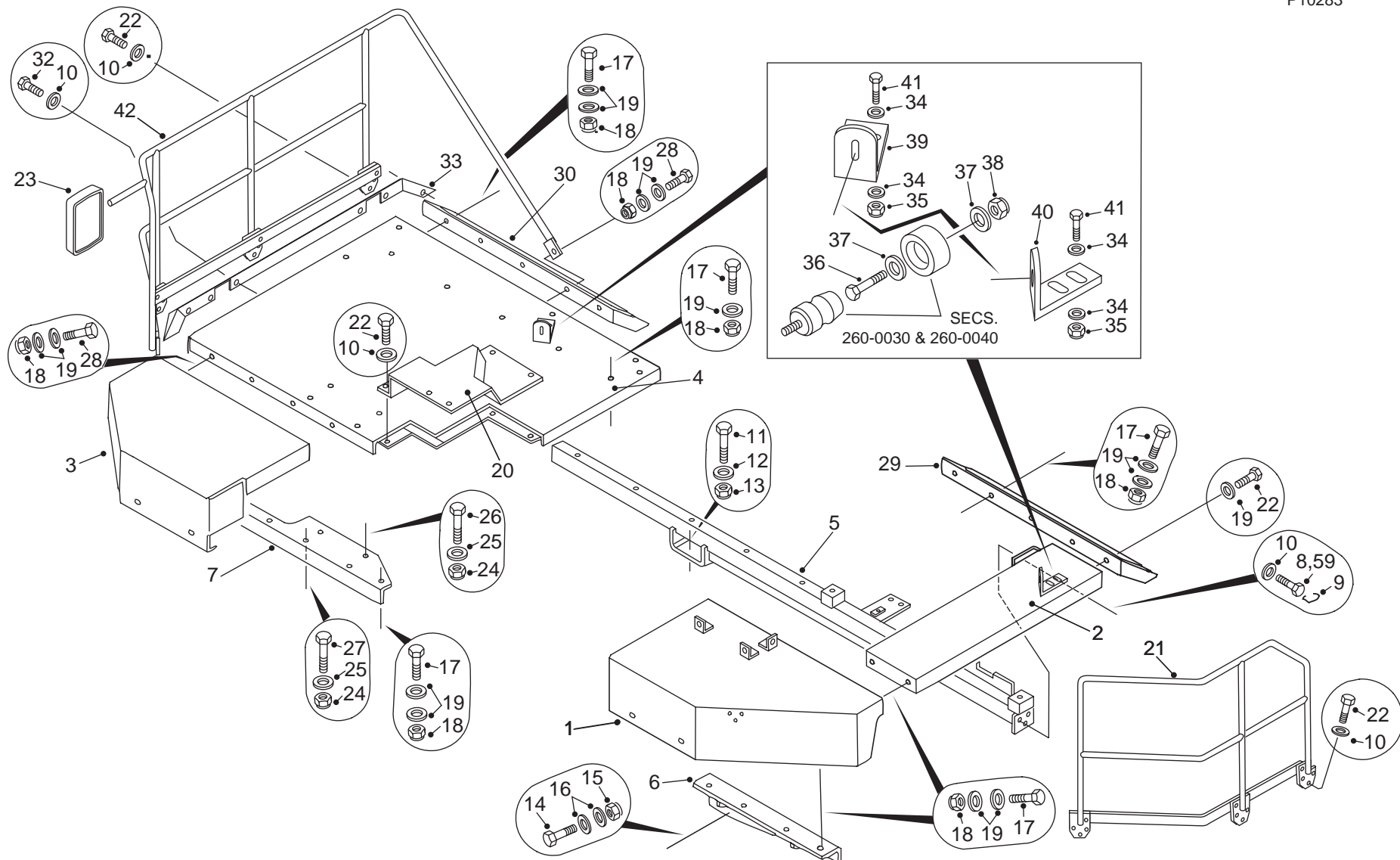
SERIAL NO. T7811001 TO T7811019

NC	REF	QTY	PART NO.	DESCRIPTION	SER.NO. FROM	SER.NO. TO
001	001		15301768	LH FENDER ASSEMBLY		
002	001		15251926	PLATFORM ASSY-LH		
003	001		15303563	RH FENDER ASSEMBLY		
004	001		15301775	RH PLATFORM ASSY		
005	001		15301787	REAR CROSSMEMBER ASSY		
006	001		09016879	SUPPORT		
007	001		15256827	SUPPORT-RH		
008	003		09262364	BOLT		
009	002		09113457	LOCKWIRE		
010	028		09270000	WASHER-HARDENED		
011	004		00271705	BOLT		
012	004		09019631	WASHER-HARDENED		
013	004		00273852	LOCKNUT		
014	004		00271612	BOLT		
015	004		09355771	NUT		
016	008		09250715	WASHER-HARDENED		
017	002		00179887	BOLT		
018	002		00274209	LOCKNUT		
019	054		09267949	WASHER-HARDENED		
020	001		15258419	ENGINE ACCESS COVER		
021	001		15302732	HANDRAIL ASSEMBLY (LH)		
022	009		00179885	BOLT		
023	001		15246087	MIRROR-WIDE ANGLE		
024	004		09355771	NUT		
025	004		00106268	WASHER		
026	002		00271612	BOLT		
027	002		00271614	BOLT		
028	005		00179889	BOLT		
029	001		09060215	GUARD-MUD		
030	001		15248043	GUARD-MUD RH		
031	001		15302682	HANDRAIL ASSEMBLY (RH)		
032	001		09077595	.BAR MIRROR MTG		
033	002		00179820	.BOLT		
034	002		00103320	.LOCKWASHER		
035	002		00103340	.WASHER		
036	002		09077400	MIRROR		

100-0070-7811 FENDERS AND MOUNTING
FROM SERIAL NO. T7811020

DRAWING NO. P10283A

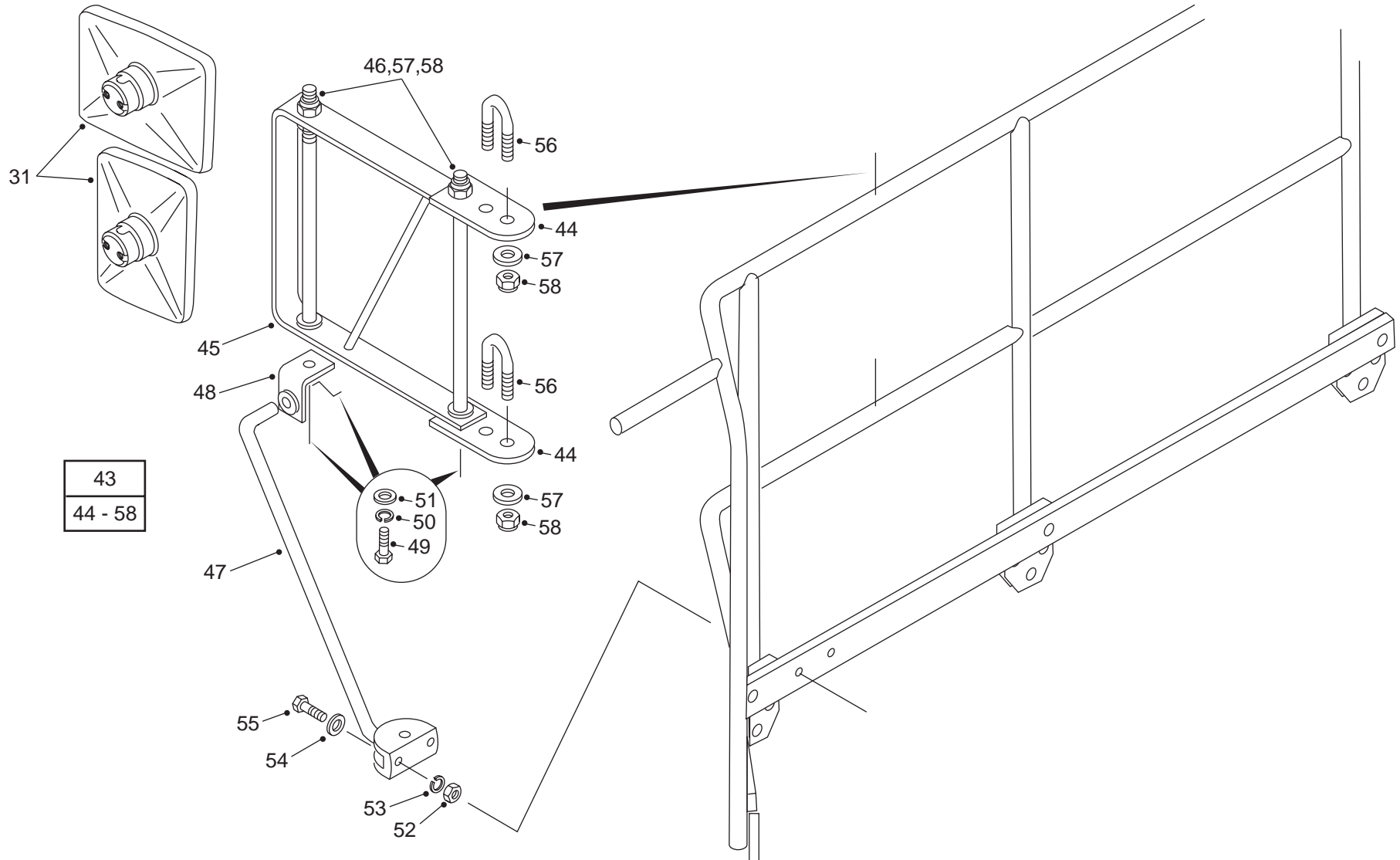
P10283



100-0070-7811 FENDERS AND MOUNTING
FROM SERIAL NO. T7811020

DRAWING NO. P10283B

P10283



Terex Tr45 Off Highway Truck Parts Book

Full download: <http://manualplace.com/download/terex-tr45-off-highway-truck-parts-book/>

R2 01/02 (ECN 101550, ECN 103379 AND ECN 104032)

100-0070-7811 FENDERS AND MOUNTING FROM SERIAL NO. T7811020					100-0070-7811 FENDERS AND MOUNTING FROM SERIAL NO. T7811020								
NC	REF	QTY	PART NO.	DESCRIPTION	SER.NO. FROM	SER.NO. TO	NC	REF	QTY	PART NO.	DESCRIPTION	SER.NO. FROM	SER.NO. TO
001	001		15301768	LH FENDER ASSY			040	001		15302618	BENT PLATE		
002	001		15251926	PLATFORM ASSY-LH			041	004		00179885	BOLT T50		
003	001		15303563	RH FENDER ASSY			042	001		15306111	HANDRAIL ASSEMBLY RHS		
004	001		15301775	RH PLATFORM ASSY	T7811020	T7811046	043	001		15304667	.MIRROR ATTACHMENT ASS		
004	001		15310286	RH PLATFORM ASSY	T7811047		044	002		15304664	..PLATE		
005	001		15301787	REAR CROSSMEMBER ASS			045	001		15304670	..MIRROR ARM ASSEMBLY		
006	001		09016879	SUPPORT			046	002		15304663	..BAR MIRROR MTG		
007	001		15256827	SUPPORT-RH			047	001		15304704	..ROD ASSEMBLY		
008	002		09262364	BOLT			048	001		15304671	..BRACKET ASSY		
009	ASR		09113457	LOCKWIRE			049	003		00179820	..BOLT		
010	033		09270000	WASHER-HARDENED			050	003		00103320	..LOCKWASHER		
011	004		00271705	BOLT			051	003		00103340	..WASHER		
012	004		09019631	WASHER-HARDENED			052	002		00109084	..NUT		
013	004		00273852	LOCKNUT			053	002		00103319	..LOCKWASHER		
014	004		00271612	BOLT			054	002		00103339	..WASHER		
015	004		09355771	NUT T50			055	002		00179795	..BOLT		
016	008		09250715	WASHER-HARDENED			056	002		15302982	..U BOLT		
017	010		00179887	BOLT T50			057	002		00102639	..NUT		
018	014		00274209	LOCKNUT			058	002		09354243	..LOCKNUT		
019	034		09267949	WASHER-HARDENED			059	001		15313242	BOLT		
020	001		15258419	ENGINE ACCESS COVER									
021	001		15302732	HANDRAIL ASSEMBLY (L									
022	033		00179885	BOLT T50									
023	001		15246087	MIRROR-WIDE ANGLE									
024	004		09355771	NUT T50									
025	004		00106268	WASHER									
026	002		00271612	BOLT									
027	002		00271614	BOLT									
028	005		00179889	BOLT T50									
029	001		09060215	GUARD-MUD									
030	001		15248043	GUARD-MUD RH									
031	002		09077400	MIRROR									
032	005		00179880	BOLT									
033	001		15301189	FENDER EXTENSION.									
034	008		09270000	WASHER-HARDENED									
035	004		00274209	LOCKNUT									
036	002		06350625	BOLT									
037	004		07150620	WASHER									
038	002		06470601	LOCKNUT									
039	001		15302574	BENT PLATE									