

## Terex Tr40 Off Highway Truck Parts Book

Full download: <http://manualplace.com/download/terex-tr40-off-highway-truck-parts-book/>

CLICK HERE FOR  
STANDARD  
TABLE OF CONTENTS

CLICK HERE FOR  
OPTIONAL  
TABLE OF CONTENTS



# TEREX

# Parts Book

CLICK HERE TO RETURN TO  
MAIN LIBRARY INDEX

Part Number  
**15273132**

## TR40 Off-Highway Truck

(Cummins N14-C475 Powered)

From Serial No. T7801001

May 99  
Revised Jan 02

PUBLISHED BY:  
PRODUCT SUPPORT DEPARTMENT

TEREX EQUIPMENT LIMITED  
MOTHERWELL, SCOTLAND

THIS PAGE IS INTENTIONALLY LEFT BLANK



## WARRANTY ON PARTS AND ATTACHMENTS

Terex Equipment Limited warrants that for a period of six months after sale of new Terex replacement parts or attachments by an authorised Terex dealer it will repair, or at its option, replace any defective or malfunctioning part or attachment. This warranty covers only malfunctions resulting from defects in material or workmanship.

This warranty does not cover malfunctions resulting from negligence, alteration, accident or overloading; use for a purpose for which the part or attachment is not designed or approved by Terex; loss of time, inconvenience, loss of use of the vehicle or other consequential damages; or labour for removal or reinstallation of defective or malfunctioning parts or attachments.

Repairs or replacements qualifying under this warranty will be performed by any authorised Terex dealer within a reasonable time following delivery of the malfunctioning part or attachment to the dealer's place of business.

Defective or malfunctioning parts or attachments must be delivered to an authorised Terex dealer's place of business during regular business hours for warranty repairs or replacements. The dealer must be furnished with the purchaser's copy of the sales slip or repair order to validate date of purchase.

\* \* \* \* \*

### SOLE WARRANTY

This is the only express warranty applicable to new Terex parts and attachments sold by Terex dealers and Terex neither assumes nor authorises anyone to assume for it any other obligation or liability in connection with such parts or attachments.

THIS PAGE IS INTENTIONALLY LEFT BLANK

## INSTRUCTIONS FOR USE OF TEREX PARTS BOOK

This Parts Book is divided into Major Sections which cover components corresponding to specific areas of the machine.

Printed at the top left hand corner of each Parts Page is an Index Code which includes three numbers - the first of these relates to a Major Section, the second indicates a Sub-section within a Major Section and the last the model PLI number. Certain Major Sections may not apply to the particular model covered in this Parts Book and, consequently, will be omitted.

An illustrated Index page shows all the Major Component Section numbers included in the book. For example -

**SECTION 100 - CHASSIS**

**SECTION 140 - FRONT AXLE GROUP**

**SECTION 230 - BODY HOIST SYSTEM etc.**

Major Component Sections are listed in the 'Table Of Contents' pages together with Sub-section headings.  
For example to locate the serviceable items of a Steering Cylinder -

1. The Table of Contents shows the steering components to be in Major Section 220.
2. The steering cylinder is listed in Major Section 220, Sub-section 0120
3. Select the Parts Page Code that applies to the unit Serial number for which parts are needed and locate the Page with reference number.  
**EXAMPLE - 220-0120.**

**SERIAL NUMBERS** - Each Parts Book covers a particular range of unit Serial Numbers.

**It is important that unit Serial Numbers are quoted on all orders for Parts.**

**PARTS LISTS** - Parts Forms usually consist of detailed parts information listed on one page together with a parts illustration on the opposite page. The parts list is printed in the order of the reference numbers shown on the parts illustration. The first column lists Note Letters; the second lists the reference numbers; the third shows quantity required and the fourth gives the parts descriptions. Parts which are part of an assembly have their descriptions indented beneath the assembly description.

**ILLUSTRATIONS** - These show typical assemblies and individual piece parts. They are intended for general reference only and may not always show exact details of parts. Parts are identified on each illustration with an item number. Note the item number of the part required and locate it in the parts list. The part number opposite the item number is the part to order.

---

**INDENTATIONS** - Parts which are indented under another part are Sub-groups of a Major Assembly or Sub-assembly. Parts which are not indented are major assemblies or individual component parts which do not belong to a major assembly.

EXAMPLE - 1 9052564 Pump Assy.  
          2 9058512 . Shaft  
          3 9024169 . Ring  
          4 9058132 . Control Assy.  
          5 9058135 . . Spring  
          6 9072162 Gasket

- If you order Item 1, you will receive Items 1 - 5.
- If you order Item 4, you will receive Items 4 and 5.
- If you order Item 6, you will receive only Item 6.

**NOTES** - Whenever there is an alphabetical symbol to the left of the item number, refer to the corresponding note at the bottom of the form for information regarding ordering or application of the particular part number(s) noted.

**ABBREVIATIONS** - The abbreviations in this book have the following meanings -

Amps .....	Amperes	Hsg .....	Housing	N.I .....	Not Illustrated
As R .....	As Required	I.D .....	Inside Diameter	N.L.A .....	No Longer Available
Assy .....	Assembly	L.H .....	Left Hand	N.S.S .....	Not Sold Separately
Brkt .....	Bracket	L.W .....	Lockwasher	O.D .....	Outside Diameter
Cad-Pltd .....	Cadium Plated	Lg .....	Long	Pr .....	Pair
Comm .....	Commencement of production	Lkg .....	Linkage	P.T.O .....	Power-Take-Off
E.S.N .....	Elastic Stop Nut	Mtg .....	Mounting	R.H .....	Right Hand
Ftgs .....	Fittings	N.C .....	Note Code	Std .....	Standard

---



# Truck




## STANDARD SECTIONS

	<b>CHASSIS</b>	<b>100</b>
--	----------------	------------

	<b>ENGINE</b>	<b>110</b>
--	---------------	------------

	<b>TRANSMISSION</b>	<b>120</b>
--	---------------------	------------

	<b>DRIVELINE</b>	<b>130</b>
--	------------------	------------

	<b>FRONT AXLE</b>	<b>140</b>
--	-------------------	------------

	<b>REAR AXLE</b>	<b>160</b>
--	------------------	------------

	<b>BRAKE PARTS</b>	<b>165</b>
--	--------------------	------------

	<b>SUSPENSION SYSTEM</b>	<b>180</b>
--	--------------------------	------------


	<b>ELECTRICAL SYSTEM</b>	<b>190</b>
--	--------------------------	------------

	<b>FUEL SYSTEM</b>	<b>200</b>
--	--------------------	------------

	<b>COOLING SYSTEM</b>	<b>210</b>
---	-----------------------	------------

	<b>STEERING SYSTEM</b>	<b>220</b>
---	------------------------	------------

	<b>BODY HOIST SYSTEM</b>	<b>230</b>
---	--------------------------	------------

	<b>BRAKING SYSTEM</b>	<b>250</b>
---	-----------------------	------------

	<b>CAB</b>	<b>260</b>
---	------------	------------

	<b>BODY</b>	<b>270</b>
---	-------------	------------

	<b>DECALS</b>	<b>290</b>
---	---------------	------------

		
---	--	--

		
---	--	--

		
---	--	--

## TABLE OF CONTENTS FOR MODEL

TR40

FROM SERIAL NO T7801001

28/01/02

## SECT - PAGE - PLI DESCRIPTION

## SECTION 100 CHASSIS

100-0010-7801	CHASSIS	
100-0040-7801	HOOD AND MOUNTING	
100-0070-7801	FENDERS AND MOUNTING	R1 02/00
<b>100-0070-7801</b>	<b>FENDERS AND MOUNTING</b>	<b>R2 01/02</b>
100-0090-7801	LADDERS AND HANDRAILS	
100-0100-7801	RADIATOR GUARD AND MOUNTING	R1 02/00
100-0100-7801	RADIATOR GUARD AND MOUNTING	R1 05/01
100-0140-7801	MUDGUARDS	R2 05/01

## SECTION 110 ENGINE

110-0020-7801	ENGINE ORDERING INSTRUCTIONS	
110-0030-7801	ENGINE AND MOUNTING	R3 05/01
110-0050-7801	AIR CLEANER	
110-0060-7801	AIR CLEANER PIPES AND HOSES	R1 02/00
110-0070-7801	EXHAUST AND MOUNTING	R2 08/01
110-0130-7801	POWER TAKEOFF - ENG	R2 05/01

## SECTION 120 TRANSMISSION

120-0010-7801	TRANSMISSION MOUNTING	R1 02/00
120-0020-7801	TRANSMISSION BREAKDOWN	R1 05/01
120-0020-7801	TRANSMISSION BREAKDOWN	05/01
120-0050-7801	CONTROL VALVE	R1 05/01
120-0050-7801	CONTROL VALVE	05/01
120-0070-7801	SHIFT CONTROL	R2 05/01
<b>120-0070-7801</b>	<b>SHIFT CONTROL</b>	<b>R1 01/02</b>
<b>120-0070-7801</b>	<b>SHIFT CONTROL</b>	<b>01/02</b>
120-0090-7801	POWER TAKEOFF - TRANS	
120-0100-7801	FILTER	R1 05/01
120-0100-7801	FILTER	05/01
120-0110-7801	OIL LINES-TRANSMISSION	
120-0190-7801	RETARDER CONTROL LINES - HYD	05/01
120-0200-7801	FRONT COVER & CONVERTER GROUP	R2 05/01
120-0200-7801	FRONT COVER & CONVERTER GROUP	05/01
120-0210-7801	CONVERTER HOUSING GROUP	R1 05/01
120-0210-7801	CONVERTER HOUSING GROUP	05/01
120-0220-7801	OIL PUMP	R1 05/01
120-0220-7801	OIL PUMP	05/01
120-0230-7801	FILTER ADAPT/REGULATOR VALVES	R1 05/01
120-0230-7801	FILTER ADAPT/REGULATOR VALVES	05/01
120-0240-7801	LOCKUP VALVE	R1 05/01
120-0240-7801	LOCKUP VALVE	05/01

## SECT - PAGE - PLI DESCRIPTION

## SECTION 120 TRANSMISSION

120-0250-7801	ATEC LOCKUP DROP OUT	R1 02/00
120-0250-7801	ATEC LOCKUP DROP OUT	R1 05/01
120-0260-7801	RETARDER GROUP	R1 05/01
120-0260-7801	RETARDER GROUP	05/01
120-0270-7801	RETARDER CONTROL VALVE	05/01
120-0280-7801	SPLITTER GEARING AND CLUTCHES	R1 05/01
120-0280-7801	SPLITTER GEARING AND CLUTCHES	05/01
120-0290-7801	MAIN HOUSING GROUP	R1 05/01
120-0290-7801	MAIN HOUSING GROUP	05/01
120-0300-7801	HIGH RANGE GEARING & CLUTCHES	R1 05/01
120-0300-7801	HIGH RANGE GEARING & CLUTCHES	05/01
120-0310-7801	INTER RANGE GEARING & CLUTCHES	R1 05/01
120-0310-7801	INTER RANGE GEARING & CLUTCHES	05/01
120-0320-7801	LOW RANGE GEARING & CLUTCHES	R1 05/01
120-0320-7801	LOW RANGE GEARING & CLUTCHES	05/01
120-0330-7801	REV RANGE GEARING & CLUTCHES	R1 05/01
120-0330-7801	REV RANGE GEARING & CLUTCHES	05/01
120-0340-7801	REAR COVER GROUP	R1 05/01
120-0340-7801	REAR COVER GROUP	05/01
120-0360-7801	THROTTLE SENSOR AND MOUNTING	02/00

## SECTION 130 DRIVELINE

130-0010-7801	FRONT DRIVELINE	
130-0020-7801	REAR DRIVELINE	R1 05/01
130-0020-7801	REAR DRIVELINE	05/01

## SECTION 140 FRONT AXLE

140-0040-7801	WHEEL, RIM AND TYRE-FRONT	
---------------	---------------------------	--

## SECTION 160 REAR AXLE

160-0020-7801	DIFFERENTIAL-REAR	R2 05/01
160-0030-7801	AXLE GROUP-REAR	
160-0040-7801	PLANETARY GEARING-REAR	
160-0050-7801	WHEEL, RIM AND TYRE-REAR	

## SECTION 165 BRAKE PARTS

165-0020-7801	BRAKE PARTS-FRONT WHEEL-RIGIDS	
165-0030-7801	BRAKE PARTS-REAR WHEEL-RIGIDS	R1 05/01



## TABLE OF CONTENTS FOR MODEL

TR40

FROM SERIAL NO T7801001

28/01/02

## SECT - PAGE - PLI DESCRIPTION

**SECTION 180 SUSPENSION SYSTEM**

180-0030-7801 FRONT RIDE CYLINDER  
 180-0050-7801 REAR RIDE CYLINDER

**SECTION 190 ELECTRICAL SYSTEM**

190-0030-7801 CABLES/HARNESSES-CAB R2 06/00  
 190-0030-7801 CABLES/HARNESSES-CAB R1 05/01  
**190-0030-7801 CABLES/HARNESSES-CAB R1 01/02**  
**190-0030-7801 CABLES/HARNESSES-CAB 01/02**  
 190-0040-7801 CABLES/HARNESSES-CHASS/ENG R1 02/00  
 190-0040-7801 CABLES/HARNESSES-CHASS/ENG R1 05/01  
 190-0040-7801 CABLES/HARNESSES-CHASS/ENG 05/01  
 190-0070-7801 BATTERY AND CABLES R2 05/01  
 190-0070-7801 BATTERY AND CABLES 05/01  
 190-0080-7801 BATTERY MOUNTING R1 05/01  
 190-0080-7801 BATTERY MOUNTING 05/01  
 190-0100-7801 ELECTRICAL LIGHTING SYSTEM R1 02/00  
 190-0100-7801 ELECTRICAL LIGHTING SYSTEM 02/00  
 190-0210-7801 REVERSE ALARM R1 02/00  
 190-0270-7801 SWITCHES AND SENSORS R3 05/01  
 190-0270-7801 SWITCHES AND SENSORS 05/01  
**190-0300-7801 RADIO CASSETTE AND SPEAKERS R1 01/02**  
**190-0300-7801 RADIO CASSETTE AND SPEAKERS 01/02**  
 190-0310-7801 ELECTRICAL HORN

**SECTION 200 FUEL SYSTEM**

200-0010-7801 FUEL TANK AND MOUNTING  
 200-0040-7801 FUEL LINES  
 200-0050-7801 ACCELERATOR LINKAGE  
 200-0080-7801 COLD START KIT

**SECTION 210 COOLING SYSTEM**

210-0010-7801 RADIATOR ASSEMBLY R1 05/01  
 210-0010-7801 RADIATOR ASSEMBLY 05/01  
 210-0020-7801 RADIATOR MOUNTING R1 02/00  
 210-0030-7801 RADIATOR PIPING  
 210-0040-7801 RADIATOR HEADER TANK AND HOSES  
 210-0050-7801 OIL COOLER-DISC BRAKES R1 05/01  
**210-0051-7801 OIL COOLER PIPING-DISC BRAKES R4 01/02**  
 210-0060-7801 OIL COOLER AND PIPING-TRANS R2 05/01  
 210-0060-7801 OIL COOLER AND PIPING-TRANS 05/01

## SECT - PAGE - PLI DESCRIPTION

**SECTION 220 STEERING SYSTEM**

**220-0010-7801 STEERING LINES R2 01/02**  
 220-0015-7801 STEERING LINES FILTRATION R1 05/01  
 220-0040-7801 TANK AND MOUNTING-STEERING  
 220-0050-7801 PUMP-STEERING  
 220-0060-7801 PUMP AND ACCUMULATOR MOUNTING  
 220-0080-7801 ACCUMULATOR-STEERING  
**220-0090-7801 STEERING VALVE R1 01/02**  
 220-0110-7801 DOUBLE RELIEF VALVE  
 220-0120-7801 STEERING CYLINDER R1 02/00  
 220-0120-7801 STEERING CYLINDER 02/00  
 220-0130-7801 RELIEF VALVE-STEERING  
 220-0150-7801 FILTER-STEERING  
**220-0190-7801 STEERING LINKAGE R3 01/02**  
**220-0190-7801 STEERING LINKAGE R1 01/02**  
 220-0230-7801 STEERING COLUMN MOUNTING R1 06/00  
 220-0230-7801 STEERING COLUMN MOUNTING R1 05/01  
 220-0230-7801 STEERING COLUMN MOUNTING 05/01

**SECTION 230 BODY HOIST SYSTEM**

**230-0020-7801 LINES AND FITTINGS-BODY HOIST R3 01/02**  
 230-0021-7801 SERVO CONTROL LINES-BODY R2 05/01  
 230-0040-7801 TANK AND MOUNTING-BODY HOIST  
 230-0041-7801 BREATHER LINE-HYDRAULIC TANKS  
 230-0050-7801 PUMP-BODY HOIST  
 230-0060-7801 CONTROL VALVE-BODY HOIST  
 230-0070-7801 CONTROL VALVE MOUNTING  
 230-0081-7801 JOYSTICK-BODY CONTROL  
 230-0090-7801 KICK-OVER VALVE  
 230-0100-7801 KICK-OVER VALVE MOUNTING R1 05/01  
 230-0100-7801 KICK-OVER VALVE MOUNTING 05/01  
 230-0120-7801 RELIEF VALVE  
 230-0121-7801 PILOT SUPPLY VALVE  
 230-0130-7801 HOIST CYLINDERS R1 05/01  
 230-0130-7801 HOIST CYLINDERS 05/01

## TABLE OF CONTENTS FOR MODEL

TR40

FROM SERIAL NO T7801001

28/01/02

## SECT - PAGE - PLI DESCRIPTION

## SECTION 250 BRAKING SYSTEM

<b>250-0020-7801</b>	<b>BRAKE LINES-HYDRAULIC</b>	<b>R2 01/02</b>
250-0050-7801	BRAKE MANIFOLD/PAS VALVE	R1 06/00
250-0050-7801	BRAKE MANIFOLD/PAS VALVE	06/00
250-0060-7801	BRAKE ACCUMULATOR	
250-0070-7801	TREADLE VALVE	
250-0090-7801	DIRECTIONAL CONTROL VALVE	
250-0100-7801	MONOBLOCK BRAKE VALVE	
250-0130-7801	RETARDER CONTROL VALVE-BRAKES	R1 02/00
250-0240-7801	FILTER ASSEMBLY-DISC BRAKE	

## SECTION 260 CAB

260-0010-7801	CAB ASSEMBLY	R1 02/00
260-0010-7801	CAB ASSEMBLY	R1 07/01
260-0010-7801	CAB ASSEMBLY	07/01
260-0011-7801	CAB CENTRE CONSOLE	R1 05/01
260-0011-7801	CAB CENTRE CONSOLE	05/01
260-0015-7801	CAB MOUNTING	R1 02/00
260-0015-7801	CAB MOUNTING	R1 05/01
260-0030-7801	CAB DOOR-LEFT HAND	R1 02/00
260-0040-7801	CAB DOOR-RIGHT HAND	R1 02/00
260-0080-7801	SWITCHES AND INSTRUMENTS	R2 02/01
260-0080-7801	SWITCHES AND INSTRUMENTS	R1 02/01
260-0080-7801	SWITCHES AND INSTRUMENTS	R2 05/01
260-0080-7801	SWITCHES AND INSTRUMENTS	05/01
260-0090-7801	SEAT-DRIVER	R2 05/01
<b>260-0090-7801</b>	<b>SEAT-DRIVER</b>	<b>R1 01/02</b>
260-0110-7801	SEAT-PASSENGER	R1 02/00
260-0110-7801	SEAT-PASSENGER	R1 06/00
260-0110-7801	SEAT-PASSENGER	R1 05/01
260-0120-7801	HEATER	R1 02/00
260-0130-7801	AIR CONDITIONER/HEATER	R1 06/00
260-0140-7801	HEATER LINES AND WIRING	R1 06/00
260-0145-7801	AIR CONDITIONER LINES	
260-0190-7801	WINDSCREEN WASHER	

## SECTION 270 BODY

<b>270-0010-7801</b>	<b>BODY ASSEMBLY</b>	<b>R3 01/02</b>
270-0080-7801	ROCK EJECTORS	

## SECT - PAGE - PLI DESCRIPTION

## SECTION 290 DECALS

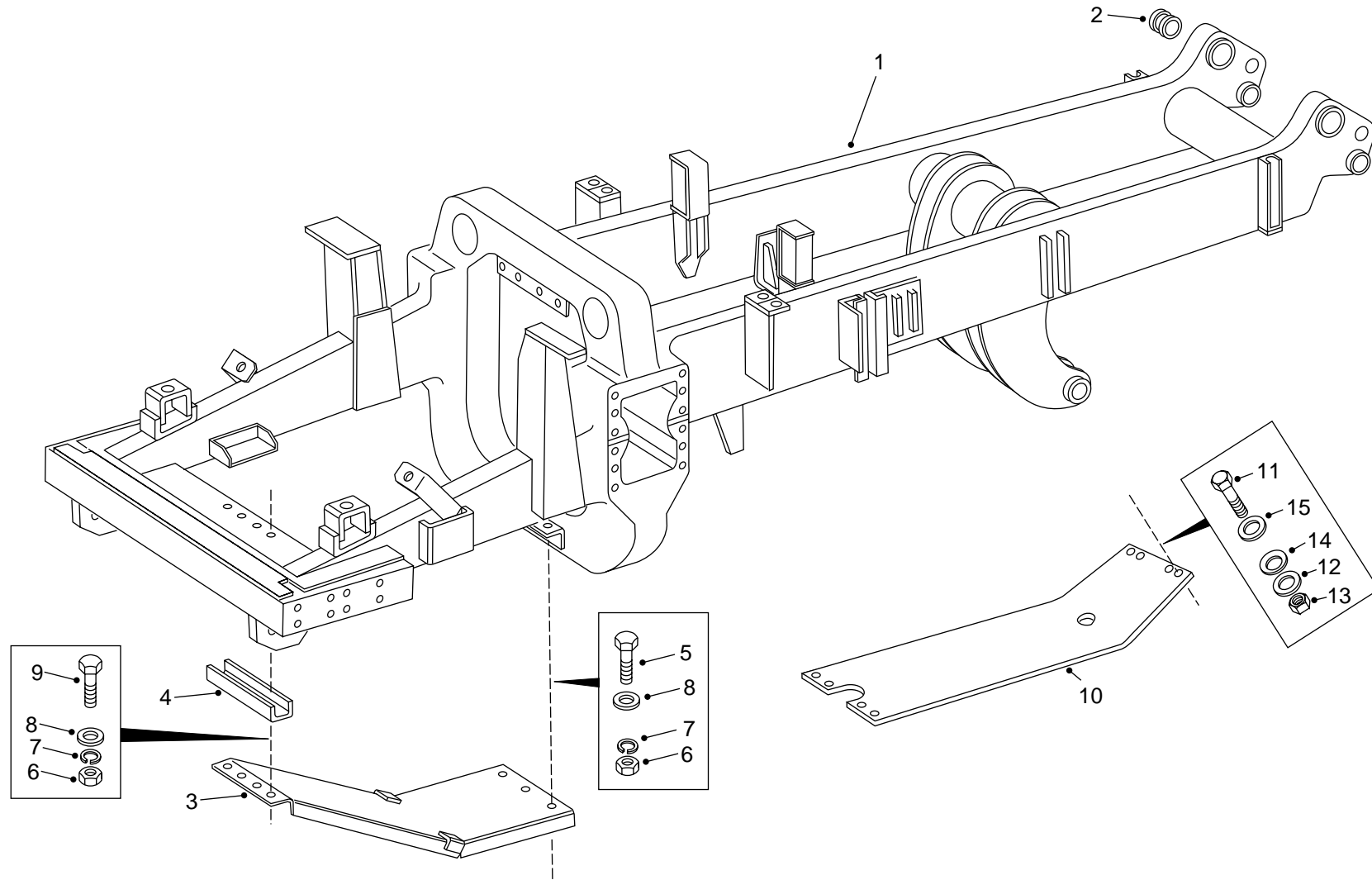
290-0010-7801	DECALS-ENGLISH	R3 07/01
290-0010-7801	DECALS-ENGLISH	07/01

THIS PAGE IS INTENTIONALLY LEFT BLANK

100-0010-7801 CHASSIS  
FROM SERIAL NO. T7801001

DRAWING NO. P8125

P8125



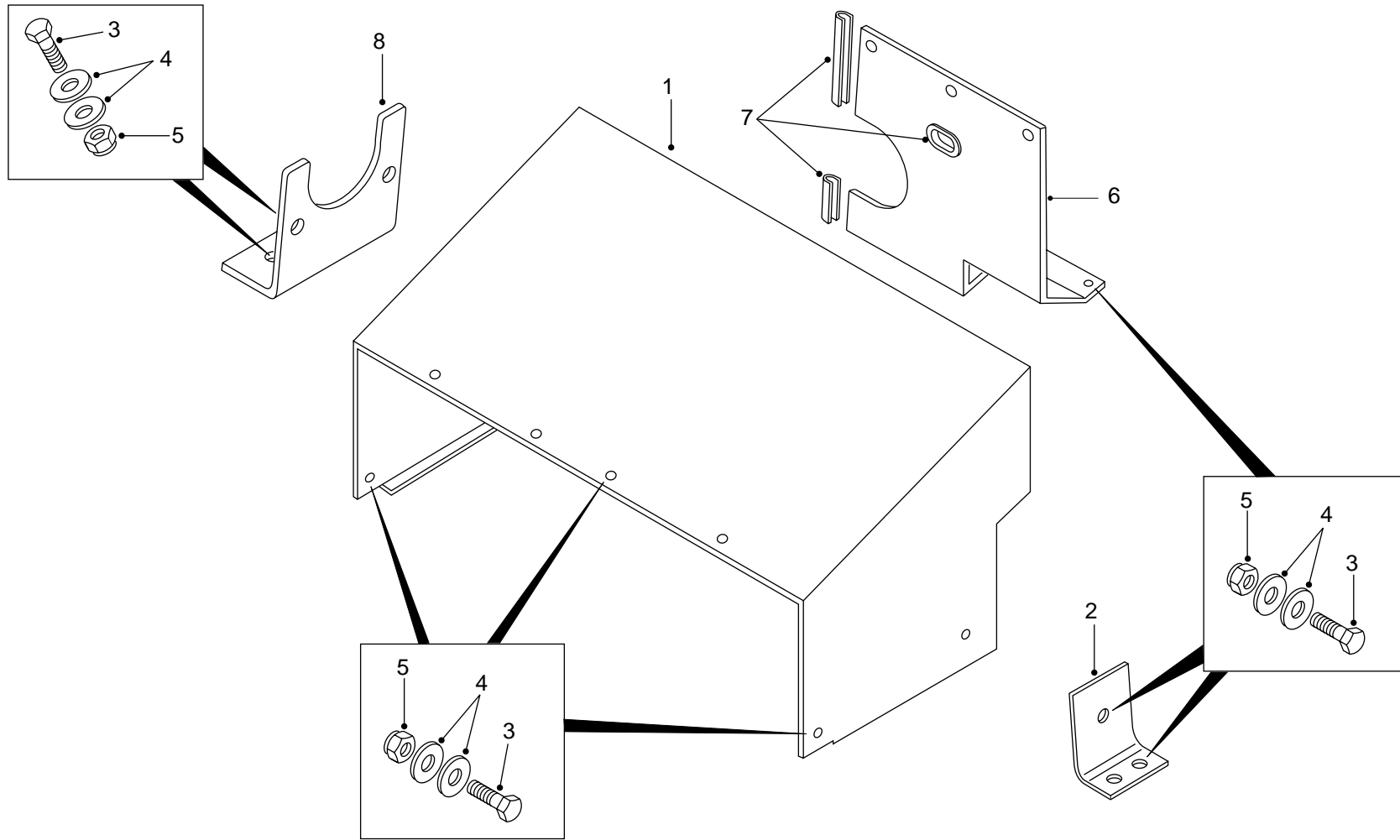
**100-0010-7801 CHASSIS**  
FROM SERIAL NO. T7801001

NC	REF	QTY	PART NO.	DESCRIPTION	SER.NO. FROM	SER.NO. TO
001	001		15305761	FRAME ASSY COMPLETE		
002	002		09015394	.BUSHING		
003	001		15232910	GUARD ASSEMBLY		
004	001		15233762	CHANNEL		
005	003		00271612	BOLT		
006	007		00220081	NUT		
007	007		00103332	LOCKWASHER		
008	007		00106268	WASHER		
009	004		00271619	BOLT		
010	001		15001042	GUARD-TRANSMISSION		
011	008		00271620	BOLT		
012	008		09176228	WASHER-HARDENED		
013	008		09419493	LOCKNUT		
014	008		15247567	DISC-SPRING		
015	004		09011226	WASHER		

**100-0040-7801 HOOD AND MOUNTING**  
FROM SERIAL NO. T7801001

DRAWING NO. P8787

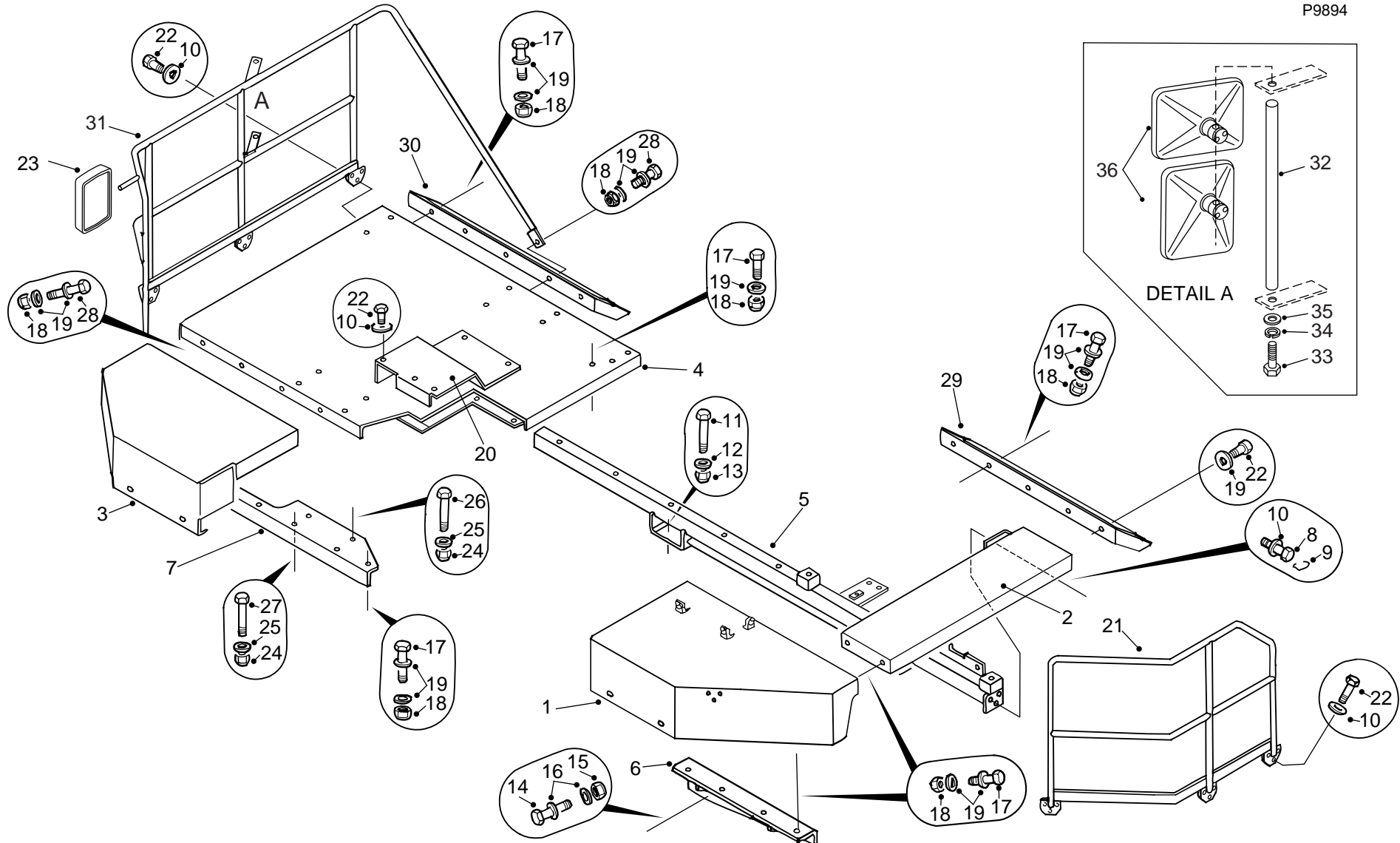
P8787



**100-0040-7801 HOOD AND MOUNTING**  
FROM SERIAL NO. T7801001

NC	REF	QTY	PART NO.	DESCRIPTION	SER.NO. FROM	SER.NO. TO
001	001		15303043	HOOD ASSY		
002	001		15252142	PLATE		
003	019		00179885	BOLT		
004	034		09267949	WASHER-HARDENED		
005	014		00120378	NUT		
006	001		15303044	BAFFLE, HOOD/PLATFORM		
007	021		09368561	BEADING		
008	001		15256665	PLATE		

P9894





**100-0070-7801 FENDERS AND MOUNTING**

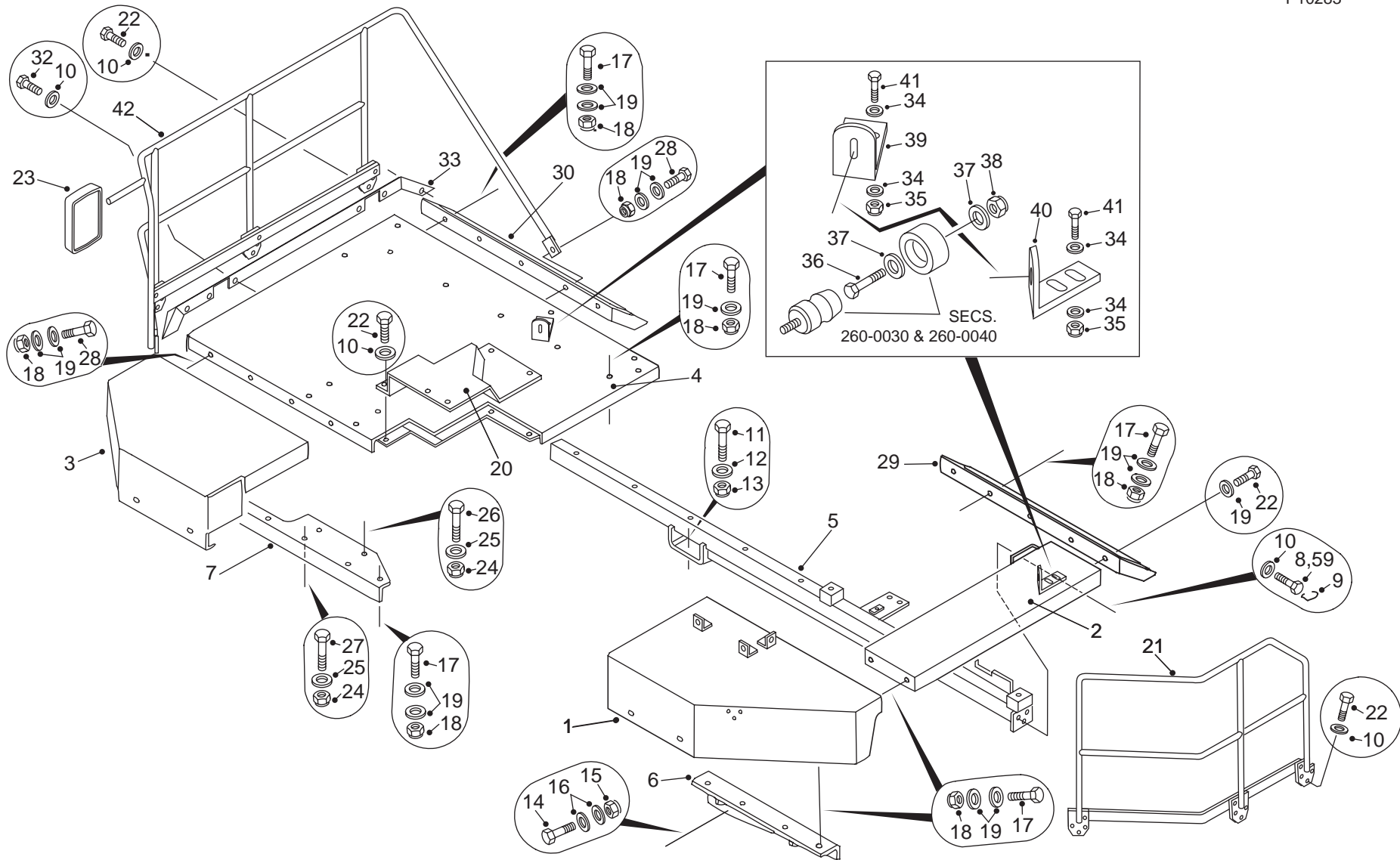
SERIAL NO. T7801001 TO T7801011

NC	REF	QTY	PART NO.	DESCRIPTION	SER.NO. FROM	SER.NO. TO
001	001		15301768	LH FENDER ASSY		
002	001		15251926	PLATFORM ASSY-LH		
003	001		15300482	RH FENDER ASSY		
004	001		15303040	PLATFORM ASSY RHS		
005	001		15301787	REAR CROSSMEMBER ASS		
006	001		09016879	SUPPORT		
007	001		15248024	STIFFENER		
008	003		09262364	BOLT		
009	002		09113457	LOCKWIRE		
010	035		09270000	WASHER-HARDENED		
011	004		00271705	BOLT		
012	004		09019631	WASHER-HARDENED		
013	004		00273852	LOCKNUT		
014	004		00271612	BOLT		
015	004		09355771	NUT		
016	008		09250715	WASHER-HARDENED		
017	002		00179887	BOLT		
018	002		00274209	LOCKNUT		
019	004		09267949	WASHER-HARDENED		
020	001		15256870	COVER ASSY		
021	001		15302732	HANDRAIL ASSEMBLY (L		
022	009		00179885	BOLT		
023	001		15246087	MIRROR-WIDE ANGLE		
024	004		09355771	NUT		
025	004		00106268	WASHER		
026	002		00271612	BOLT		
027	002		00271614	BOLT		
028	005		00179889	BOLT		
029	001		09060215	GUARD-MUD		
030	001		15248043	GUARD-MUD RH		
031	001		15302682	HANDRAIL ASSY (RH)		
032	001		09077595	.BAR MIRROR MTG		
033	002		00179820	.BOLT		
034	002		00103320	.LOCKWASHER		
035	002		00103340	.WASHER		
036	002		09077400	MIRROR		

100-0070-7801 FENDERS AND MOUNTING  
FROM SERIAL NO. T7801012

DRAWING NO. P10283A

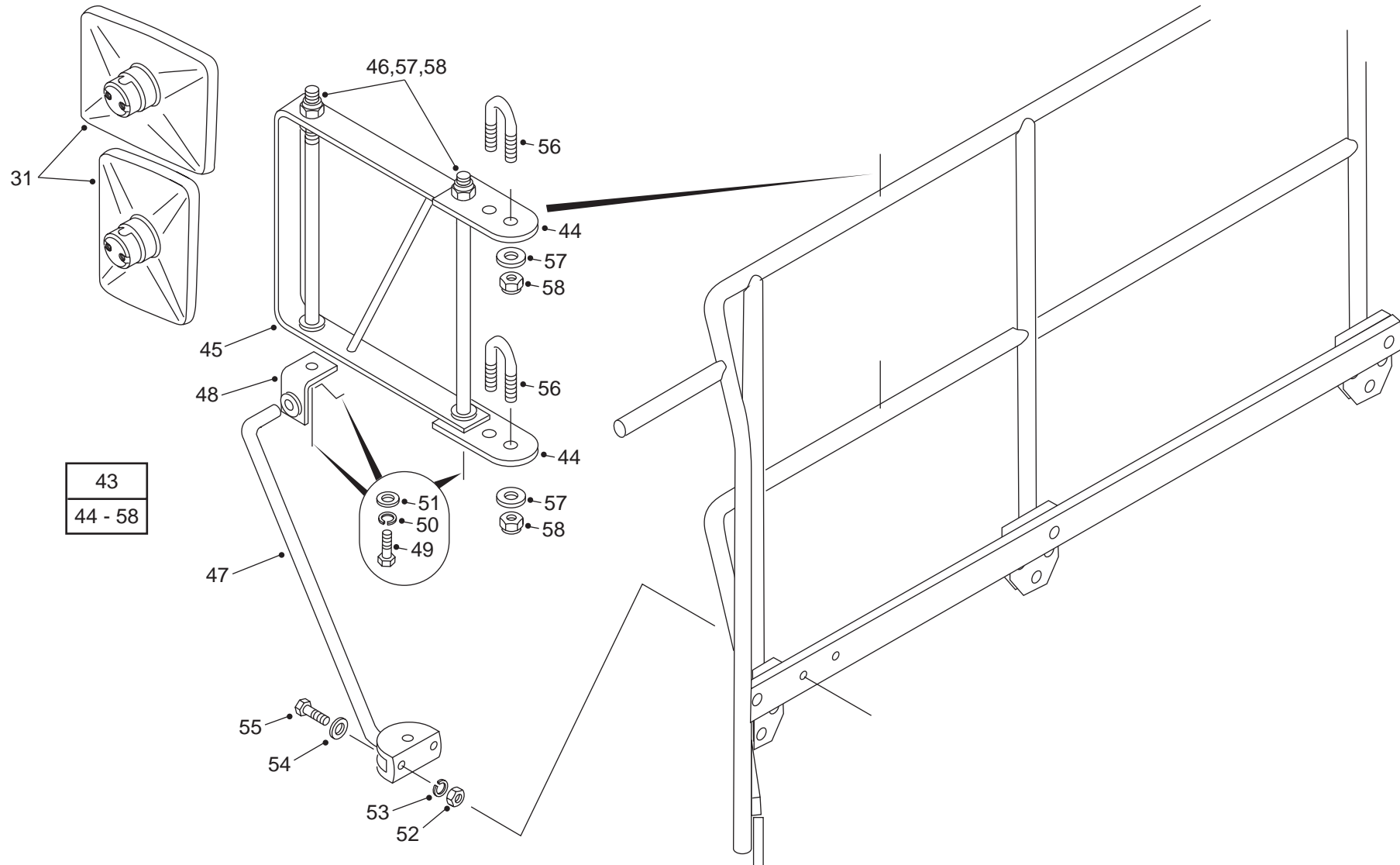
P10283



**100-0070-7801 FENDERS AND MOUNTING**  
FROM SERIAL NO. T7801012

DRAWING NO. P10283B

P10283



# Terex Tr40 Off Highway Truck Parts Book

Full download: <http://manualplace.com/download/terex-tr40-off-highway-truck-parts-book/>

R2 01/02 (ECN 101550, ECN 103303, ECN 103379 AND ECN 104032)

100-0070-7801 FENDERS AND MOUNTING FROM SERIAL NO. T7801012					100-0070-7801 FENDERS AND MOUNTING FROM SERIAL NO. T7801012								
NC	REF	QTY	PART NO.	DESCRIPTION	SER.NO. FROM	SER.NO. TO	NC	REF	QTY	PART NO.	DESCRIPTION	SER.NO. FROM	SER.NO. TO
001	001		15301768	LH FENDER ASSY			040	001		15302618	BENT PLATE		
002	001		15251926	PLATFORM ASSY-LH			041	004		00179885	BOLT T50		
003	001		15303563	RH FENDER ASSY			042	001		15306111	HANDRAIL ASSEMBLY RHS		
004	001		15303040	PLATFORM ASSY RHS	T7801012	T7801042	043	001		15304667	.MIRROR ATTACHMENT ASS		
004	001		15310456	PLATFORM ASSY RHS	T7801043		044	002		15304664	..PLATE		
005	001		15301787	REAR CROSSMEMBER ASS			045	001		15304670	..MIRROR ARM ASSEMBLY		
006	001		09016879	SUPPORT			046	002		15304663	..BAR MIRROR MTG		
007	001		15248024	STIFFENER			047	001		15304704	..ROD ASSEMBLY		
008	002		09262364	BOLT			048	001		15304671	..BRACKET ASSY		
009	002		09113457	LOCKWIRE			049	003		00179820	..BOLT		
010	035		09270000	WASHER-HARDENED			050	003		00103320	..LOCKWASHER		
011	004		00271705	BOLT			051	003		00103340	..WASHER		
012	004		09019631	WASHER-HARDENED			052	002		00109084	..NUT		
013	004		00273852	LOCKNUT			053	002		00103319	..LOCKWASHER		
014	004		00271612	BOLT			054	002		00103339	..WASHER		
015	004		09355771	NUT T50			055	002		00179795	..BOLT		
016	008		09250715	WASHER-HARDENED			056	002		15302982	..U BOLT		
017	002		00179887	BOLT T50			057	002		00102639	..NUT		
018	002		00274209	LOCKNUT			058	002		09354243	..LOCKNUT		
019	004		09267949	WASHER-HARDENED			059	001		15313242	..BOLT		
020	001		15256870	COVER ASSY									
021	001		15302732	HANDRAIL ASSEMBLY (L									
022	005		00179885	BOLT T50									
023	001		15246087	MIRROR-WIDE ANGLE									
024	004		09355771	NUT T50									
025	004		00106268	WASHER									
026	002		00271612	BOLT									
027	002		00271614	BOLT									
028	005		00179889	BOLT T50									
029	001		09060215	GUARD-MUD									
030	001		15248043	GUARD-MUD RH									
031	002		09077400	MIRROR									
032	005		00179880	BOLT									
033	001		15301189	FENDER EXTENSION.									
034	008		09270000	WASHER-HARDENED									
035	004		00274209	LOCKNUT									
036	002		06350625	BOLT									
037	004		07150620	WASHER									
038	002		06470601	LOCKNUT									
039	001		15302574	BENT PLATE									