



Publication Part Number: **15503212**

Published by : Customer Support Department - TEREX Equipment Limited, Motherwell, Scotland

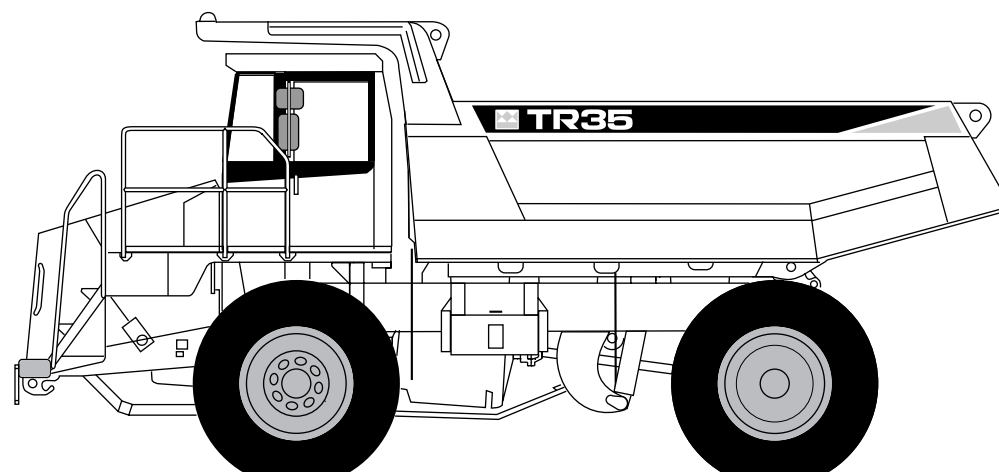
PARTS BOOK

CLICK HERE FOR  
STANDARD  
TABLE OF CONTENTS

CLICK HERE FOR  
OPTIONAL  
TABLE OF CONTENTS

CLICK HERE  
TO RETURN TO MAIN  
LIBRARY INDEX

P10803



## TR35 Off-Highway Truck

(Cummins QSM11 Tier 3 and Allison 4500 ORS Trans.)

**Serial Nos. T8771011 and above**

Date: August 2006

Revised: JAN. 2008

THIS PAGE IS INTENTIONALLY LEFT BLANK



## **WARRANTY ON PARTS AND ATTACHMENTS**

Terex Equipment Limited warrants that for a period of six months or 1000 hours, whichever comes first, after the sale of new Terex replacement parts or attachments by an authorised Terex dealer it will repair, or at its option, replace any defective or malfunctioning part or attachment. This warranty covers only malfunctions resulting from defects in material or workmanship.

This warranty does not cover malfunctions resulting from negligence, alteration, accident or overloading; use for a purpose for which the part or attachment is not designed or approved by Terex; loss of time, inconvenience, loss of use of the vehicle or other consequential damages; or labour for removal or reinstallation of defective or malfunctioning parts or attachments.

Repairs or replacements qualifying under this warranty will be performed by any authorised Terex dealer within a reasonable time following delivery of the malfunctioning part or attachment to the dealer's place of business.

Defective or malfunctioning parts or attachments must be delivered to an authorised Terex dealer's place of business during regular business hours for warranty repairs or replacements. The dealer must be furnished with the purchaser's copy of the sales slip or repair order to validate date of purchase.

\* \* \* \* \*

### **SOLE WARRANTY**

This is the only express warranty applicable to new Terex parts and attachments sold by Terex dealers and Terex neither assumes nor authorises anyone to assume for it any other obligation or liability in connection with such parts or attachments.

THIS PAGE IS INTENTIONALLY LEFT BLANK



---

## INSTRUCTIONS FOR USE OF TEREX PARTS BOOK

This Parts Book is divided into Major Sections which cover components corresponding to specific areas of the machine.

Printed at the top left hand corner of each Parts Page is an Index Code which includes three numbers - the first of these relates to a Major Section, the second indicates a Sub-section within a Major Section and the last the model PLI number. Certain Major Sections may not apply to the particular model covered in this Parts Book and, consequently, will be omitted.

An illustrated Index page shows all the Major Component Section numbers included in the book. For example -

**SECTION 100 - CHASSIS**

**SECTION 140 - FRONT AXLE GROUP**

**SECTION 230 - BODY HOIST SYSTEM etc.**

Major Component Sections are listed in the 'Table Of Contents' pages together with Sub-section headings.

For example to locate the serviceable items of a Steering Cylinder -

1. The Table of Contents shows the steering components to be in Major Section 220.
2. The steering cylinder is listed in Major Section 220, Sub-section 0120
3. Select the Parts Page Code that applies to the unit Serial number for which parts are needed and locate the Page with reference number.

**EXAMPLE - 220-0120.**

**SERIAL NUMBERS** - Each Parts Book covers a particular range of unit Serial Numbers.

**It is important that unit Serial Numbers are quoted on all orders for Parts.**

**PARTS LISTS** - Parts Forms usually consist of detailed parts information listed on one page together with a parts illustration on the opposite page. The parts list is printed in the order of the reference numbers shown on the parts illustration. The first column lists Note Letters; the second lists the reference numbers; the third shows quantity required and the fourth gives the parts descriptions. Parts which are part of an assembly have their descriptions indented beneath the assembly description.

**ILLUSTRATIONS** - These show typical assemblies and individual piece parts. They are intended for general reference only and may not always show exact details of parts. Parts are identified on each illustration with an item number. Note the item number of the part required and locate it in the parts list. The part number opposite the item number is the part to order.

---

**INDENTATIONS** - Parts which are indented under another part are Sub-groups of a Major Assembly or Sub-assembly. Parts which are not indented are major assemblies or individual component parts which do not belong to a major assembly.

EXAMPLE - 1 9052564 Pump Assy.  
2 9058512 . Shaft  
3 9024169 . Ring  
4 9058132 . Control Assy.  
5 9058135 . . Spring  
6 9072162 Gasket

- If you order Item 1, you will receive Items 1 - 5.
- If you order Item 4, you will receive Items 4 and 5.
- If you order Item 6, you will receive only Item 6.

**NOTES** - Whenever there is an alphabetical symbol to the left of the item number, refer to the corresponding note at the bottom of the form for information regarding ordering or application of the particular part number(s) noted.

**ABBREVIATIONS** - The abbreviations in this book have the following meanings -

Amps ..... Amperes  
As R ..... As Required  
Assy ..... Assembly  
Brkt ..... Bracket  
Cad-Pltd ..... Cadmium Plated  
Comm ..... Commencement of production  
E.S.N ..... Elastic Stop Nut  
Ftgs ..... Fittings

Hsg ..... Housing  
I.D ..... Inside Diameter  
L.H ..... Left Hand  
L.W ..... Lockwasher  
Lg ..... Long  
Lkg ..... Linkage  
Mtg ..... Mounting  
N.C ..... Note Code


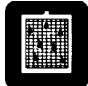


















N.I ..... Not Illustrated  
N.L.A ..... No Longer Available  
N.S.S ..... Not Sold Separately  
O.D ..... Outside Diameter  
Pr ..... Pair  
P.T.O ..... Power-Take-Off  
R.H ..... Right Hand  
Std ..... Standard



# Truck



## STANDARD SECTIONS

	<b>CHASSIS</b>	<b>100</b>		<b>COOLING SYSTEM</b>	<b>210</b>
	<b>ENGINE</b>	<b>110</b>		<b>STEERING SYSTEM</b>	<b>220</b>
	<b>TRANSMISSION</b>	<b>120</b>		<b>BODY SYSTEM</b>	<b>230</b>
	<b>DRIVELINE</b>	<b>130</b>		<b>BRAKING SYSTEM</b>	<b>250</b>
	<b>FRONT AXLE</b>	<b>140</b>		<b>AIR SYSTEM</b>	<b>255</b>
	<b>REAR AXLE</b>	<b>160</b>		<b>CAB</b>	<b>260</b>
	<b>BRAKE PARTS</b>	<b>165</b>		<b>BODY</b>	<b>270</b>
	<b>SUSPENSION SYSTEM</b>	<b>180</b>		<b>DECALS</b>	<b>290</b>
	<b>ELECTRICAL SYSTEM</b>	<b>190</b>		<b>MISCELLANEOUS</b>	<b>300</b>
	<b>FUEL SYSTEM</b>	<b>200</b>			

**TABLE OF CONTENTS FOR MODEL TR35 T3**

**FROM SERIAL NO. T8771011**

**REVISED 01/08**

<b>SECT-PAGE-PLI</b>	<b>DESCRIPTION</b>	<b>SERIAL NO. EFFECTIVITY</b>	<b>REVISION AND DATE</b>
<b><u>SECTION 100</u></b>	<b><u>CHASSIS</u></b>		
100-0010-8771	CHASSIS		
100-0040-8771	HOOD AND MOUNTING		
100-0070-8771	FENDERS AND MOUNTING		
100-0090-8771	LADDERS AND HANDRAILS		R1 05/07
100-0100-8771	RADIATOR GUARD AND MOUNTING		
100-0140-8771	MUDGUARDS		
<b><u>SECTION 110</u></b>	<b><u>ENGINE</u></b>		
110-0020-8771	ENGINE ORDERING INSTRUCTIONS		
110-0030-8771	ENGINE AND MOUNTING		R1 08/07
110-0050-8771	AIR CLEANER		
110-0060-8771	AIR CLEANER PIPES AND HOSES		
110-0130-8771	POWER TAKEOFF - ENG		R1 11/06
110-0180-8771	GOVERNOR		
<b><u>SECTION 120</u></b>	<b><u>TRANSMISSION</u></b>		
120-0010-8771	TRANSMISSION MOUNTING		R1 05/07
120-0020-8771	TRANSMISSION BREAKDOWN		
120-0040-8771	P1 PLANETARY GROUP		
120-0045-8771	P2 PLANETARY GROUP		
120-0046-8771	P3 PLANETARY & REAR COVER/RETARDER		
120-0050-8771	CONTROL VALVE		
120-0070-8771	SHIFT CONTROL		
120-0100-8771	TRANS OIL FILTERS		
120-0125-8771	OIL COOLER GROUP		
120-0135-8771	FRONT SUPPORT & OIL PUMP		
120-0195-8771	RETARDER CONTROL LINES-AIR		
120-0200-8771	FRONT COVER & CONVERTER GROUP		
120-0210-8771	CONVERTER HOUSING GROUP		
120-0215-8771	FLEXPLATE AND ADAPTER		
120-0225-8771	ROTATING CLUTCH		
120-0235-8771	MAIN SHAFT		
120-0255-8771	RETARDER CONTROLS		
120-0275-8771	RETARDER ACCUMULATOR		R1 10/06
120-0290-8771	MAIN HOUSING GROUP		
<b><u>SECTION 130</u></b>	<b><u>DRIVELINE</u></b>		
130-0010-8771	FRONT DRIVELINE		
130-0020-8771	REAR DRIVELINE	T8771011 TO T8771039	
130-0020-8771	REAR DRIVELINE	T8771040	06/07



**TABLE OF CONTENTS FOR MODEL TR35 T3**

**FROM SERIAL NO. T8771011**

**REVISED 01/08**

<b>SECT-PAGE-PLI</b>	<b>DESCRIPTION</b>	<b>SERIAL NO. EFFECTIVITY</b>	<b>REVISION AND DATE</b>
<b><u>SECTION 140</u></b>	<b><u>FRONT AXLE</u></b>		
140-0040-8771	WHEEL, RIM AND TYRE-FRONT		
<b><u>SECTION 160</u></b>	<b><u>REAR AXLE</u></b>		
160-0020-8771	DIFFERENTIAL-REAR	T8771011 TO A8771016	R1 11/06
160-0020-8771	DIFFERENTIAL-REAR	T8771017	11/06
160-0030-8771	AXLE GROUP-REAR	T8771011 TO A8771016	R1 11/06
160-0030-8771	AXLE GROUP-REAR	T8771017	11/06
160-0040-8771	PLANETARY GEARING-REAR		
160-0050-8771	WHEEL, RIM AND TYRE-REAR		
<b><u>SECTION 165</u></b>	<b><u>BRAKE PARTS</u></b>		
165-0020-8771	BRAKE PARTS-FRONT WHEEL-RIGIDS		
165-0030-8771	BRAKE PARTS-REAR WHEEL-RIGIDS		
165-0070-8771	FT AXLE SLACK ADJUSTER-LH		
165-0071-8771	FT AXLE SLACK ADJUSTER-RH		
165-0072-8771	REAR WHEEL SLACK ADJUSTER		
<b><u>SECTION 180</u></b>	<b><u>SUSPENSION SYSTEM</u></b>		
180-0030-8771	FRONT RIDE CYLINDER		
180-0050-8771	REAR RIDE CYLINDER		
<b><u>SECTION 190</u></b>	<b><u>ELECTRICAL SYSTEM</u></b>		
190-0010-8771	TERMINALS		
190-0011-8771	CONNECTORS		
190-0030-8771	CABLES/HARNESSES-CAB		
190-0040-8771	CABLES/HARNESSES-CHASS/ENG		
190-0070-8771	BATTERY AND CABLES		
190-0080-8771	BATTERY MOUNTING		
190-0085-8771	ECU-HYD.SYSTEM MONITORING		
190-0100-8771	ELECTRICAL LIGHTING SYSTEM		R1 05/07
190-0110-8771	ALTERNATOR		
190-0120-8771	STARTER MOTOR		
190-0270-8771	SWITCHES AND SENSORS		R1 08/07
190-0300-8771	RADIO CASSETTE AND SPEAKERS		
190-0310-8771	ELECTRICAL HORN		
<b><u>SECTION 200</u></b>	<b><u>FUEL SYSTEM</u></b>		
200-0010-8771	FUEL TANK AND MOUNTING		R1 05/07
200-0040-8771	FUEL LINES		
200-0050-8771	ACCELERATOR LINKAGE	T8771011 TO T8771053	
200-0050-8771	ACCELERATOR LINKAGE	T8771054	10/07

## TABLE OF CONTENTS FOR MODEL TR35 T3

FROM SERIAL NO. T8771011

REVISED 01/08

SECT-PAGE-PLI	DESCRIPTION	SERIAL NO. EFFECTIVITY	REVISION AND DATE
<b><u>SECTION 210</u></b>	<b><u>COOLING SYSTEM</u></b>		
210-0010-8771	RADIATOR ASSEMBLY		
<b>210-0020-8771</b>	<b>RADIATOR MOUNTING</b>		<b>R1 01/08</b>
210-0030-8771	RADIATOR PIPING		
210-0035-8771	CHARGE AIR COOLER & PIPING		
210-0040-8771	RADIATOR HEADER TANK AND HOSES		
210-0060-8771	OIL COOLER AND PIPING-TRANS		R1 10/07
<b><u>SECTION 220</u></b>	<b><u>STEERING SYSTEM</u></b>		
220-0010-8771	STEERING LINES		
220-0050-8771	PUMP-STEERING		
220-0060-8771	PUMP AND ACCUMULATOR MOUNTING		
220-0080-8771	ACCUMULATOR-STEERING		
220-0090-8771	STEERING VALVE		
220-0120-8771	STEERING CYLINDER		
220-0130-8771	RELIEF VALVE-STEERING	T8771011 TO T8771019	
220-0130-8771	RELIEF VALVE-STEERING	T8771020	11/06
220-0190-8771	STEERING LINKAGE		
220-0230-8771	STEERING COLUMN MOUNTING		
<b><u>SECTION 230</u></b>	<b><u>BODY SYSTEM</u></b>		
230-0020-8771	LINES AND FITTINGS-BODY HOIST		
230-0021-8771	SERVO CONTROL LINES-BODY		
230-0040-8771	TANK AND MOUNTING-BODY HOIST		
230-0050-8771	PUMP-BODY HOIST	T8771011 TO T8771028	
230-0050-8771	PUMP-BODY HOIST	T8771029	R1 11/06
230-0060-8771	CONTROL VALVE-BODY HOIST		
230-0081-8771	JOYSTICK-BODY CONTROL		
230-0090-8771	KICK-OVER VALVE		
230-0121-8771	PILOT SUPPLY VALVE		
230-0130-8771	HOIST CYLINDERS		
230-0140-8771	AIR FILTER-HYDRAULIC TANK		
<b><u>SECTION 250</u></b>	<b><u>BRAKING SYSTEM</u></b>		
250-0010-8771	BRAKE LINES-AIR		R1 08/07
250-0070-8771	TREADLE VALVE		
250-0153-8771	DRY/SLIPPERY VALVE		
250-0170-8771	AIR TANK AND MOUNTING		
250-0180-8771	QUICK RELEASE VALVE		
250-0180-8771	LIMITING VALVE		08/07
250-0190-8771	CONTROL VALVE-BRAKES		

## TABLE OF CONTENTS FOR MODEL TR35 T3

FROM SERIAL NO. T8771011

REVISED 01/08

SECT-PAGE-PLI	DESCRIPTION	SERIAL NO. EFFECTIVITY	REVISION AND DATE
<b><u>SECTION 250</u></b>	<b><u>BRAKING SYSTEM-CONTINUED</u></b>		
250-0200-8771	AIR DRIER		
250-0250-8771	FRONT BRAKE CHAMBER-LH		
250-0251-8771	FRONT BRAKE CHAMBER-RH		
250-0260-8771	BRAKE CHAMBER/PRESS CONVERTER		
250-0280-8771	RELAY VALVE		
250-0300-8771	SYNCRO VALVE-CONTROL		
250-0301-8771	SYNCRO VALVE		
<b><u>SECTION 255</u></b>	<b><u>AIR SYSTEM</u></b>		
255-0010-8771	AIR LINES-GENERAL		
<b><u>SECTION 260</u></b>	<b><u>CAB</u></b>		
260-0010-8771	CAB ASSEMBLY		
260-0011-8771	CAB-CENTRE CONSOLE		
260-0015-8771	CAB MOUNTING		R1 05/07
260-0030-8771	CAB DOOR-LEFT HAND	T8771011 TO T8771 TBA	
<b>260-0030-8771</b>	<b>CAB DOOR-LEFT HAND</b>	<b>T8771 TBA</b>	<b>01/08</b>
260-0040-8771	CAB DOOR-RIGHT HAND		
260-0080-8771	SWITCHES AND INSTRUMENTS		
260-0090-8771	SEAT-DRIVER	T8771011 TO T8771 TBA	
<b>260-0090-8771</b>	<b>SEAT-DRIVER</b>	<b>T8771 TBA-MAR 08</b>	<b>01/08</b>
260-0110-8771	SEAT-INSTRUCTOR	T8771011 TO T8771 TBA	
<b>260-0110-8771</b>	<b>SEAT-INSTRUCTOR</b>	<b>T8771 TBA-MAR 08</b>	<b>01/08</b>
260-0130-8771	AIR CONDITIONER/HEATER		
260-0140-8771	HEATER LINES AND WIRING		
260-0145-8771	AIR CONDITIONER LINES		R1 11/06
260-0171-8771	REAR VIEW MIRROR-RH		
260-0190-8771	WINDSCREEN WASHER		
<b><u>SECTION 270</u></b>	<b><u>BODY</u></b>		
270-0010-8771	BODY ASSEMBLY		R1 08/07
270-0020-8771	EXHAUST HEATED BODY		
270-0080-8771	ROCK EJECTORS		
<b><u>SECTION 290</u></b>	<b><u>DECALS</u></b>		
290-0010-8771	DECALS-ENGLISH	T8771011 TO T8771030	
290-0010-8771	DECALS-ENGLISH (ISO)	T8771031	
290-0011-8771	DECALS-ENGLISH (ANSI)	T8771031	
290-0100-8771	WALKWAY SURFACES-ANTI SLIP		

TABLE OF CONTENTS FOR MODEL TR35 T3

FROM SERIAL NO. T8771011

REVISED 01/08

SECT-PAGE-PLI

DESCRIPTION

SERIAL NO. EFFECTIVITY

REVISION AND DATE

SECTION 300

MISCELLANEOUS

300-0040-8771

MULTI-TUBE CLAMPS AND HARDWARE

300-0045-8771

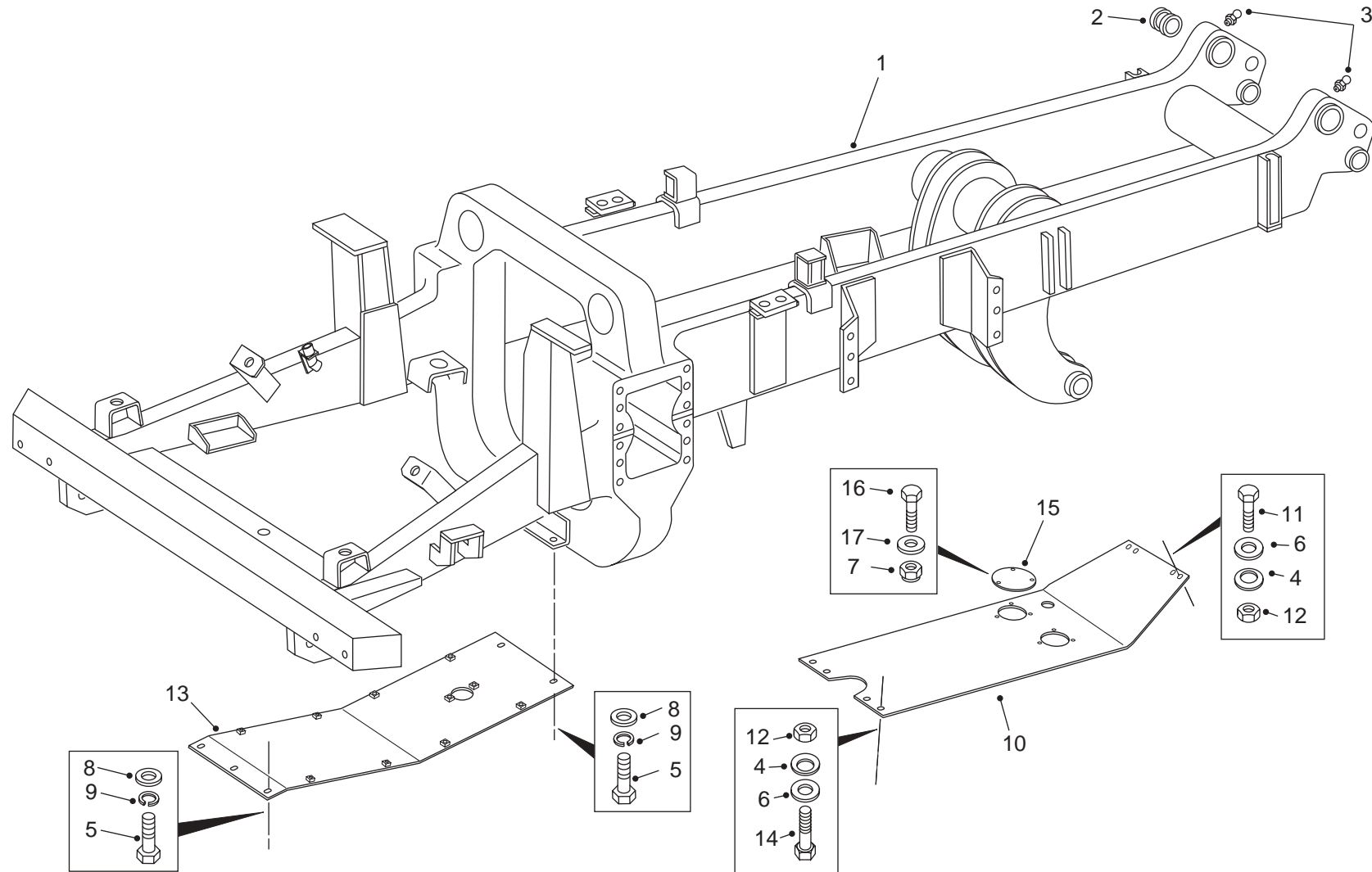
POLYPROPELENE CLAMPS

THIS PAGE IS INTENTIONALLY LEFT BLANK

**100-0010-8771 CHASSIS**  
FROM SERIAL NO. T8771011

DRAWING NO. P11999

P11999



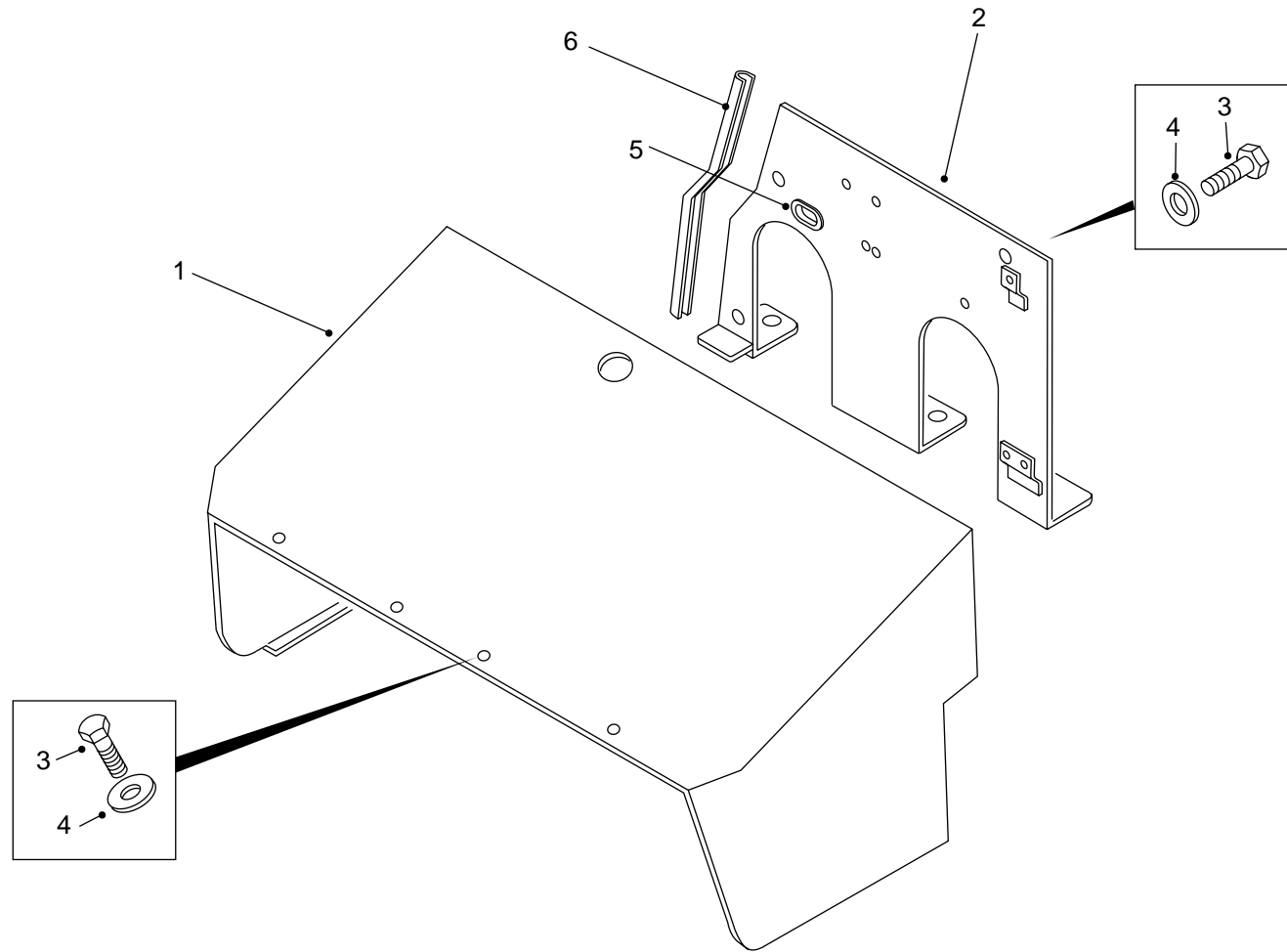
**100-0010-8771 CHASSIS**  
FROM SERIAL NO. T8771011

NC	REF	QTY	PART NO.	DESCRIPTION	SER.NO. FROM	SER.NO. TO
001	001		15322914	FRAME ASSY COMPLETE		
002	002		09015394	.BUSHING		
003	002		09411010	FITTING-GREASE		
004	008		15247567	DISC-SPRING		
005	005		00271612	BOLT		
006	012		09176228	WASHER-HARDENED		
007	006		00274208	LOCKNUT		
008	005		00106268	WASHER		
009	005		00103332	LOCKWASHER		
010	001		15320705	GUARD-TRANS		
011	004		00271620	BOLT		
012	008		09355771	NUT		
013	001		15323002	GUARD-ENGINE		
014	004		00271623	BOLT		
015	002		15320706	COVER PLATE		
016	006		00179845	BOLT		
017	006		00106263	WASHER		

**100-0040-8771 HOOD AND MOUNTING**  
FROM SERIAL NO. T8771011

DRAWING NO. P10188

P10188





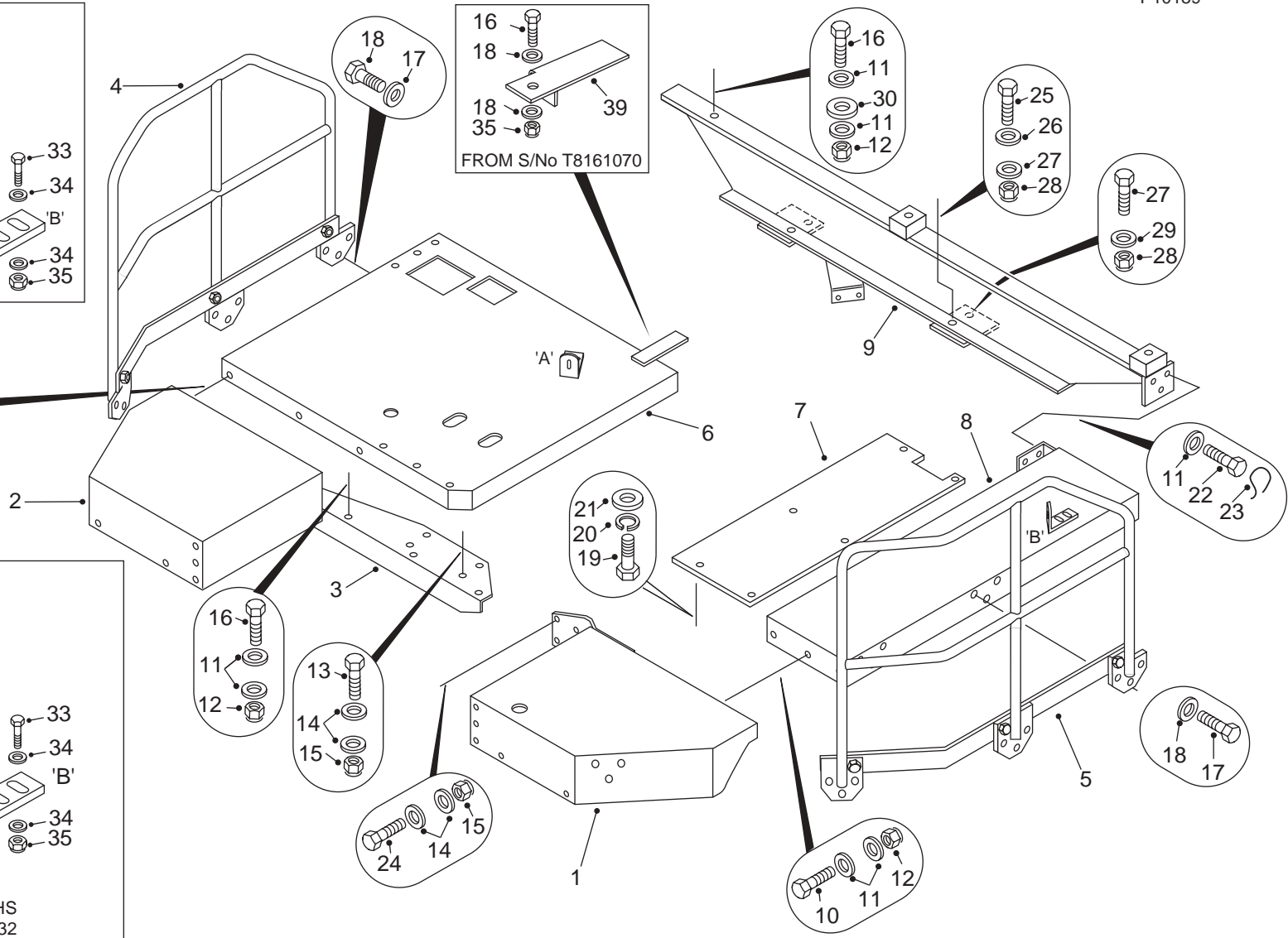
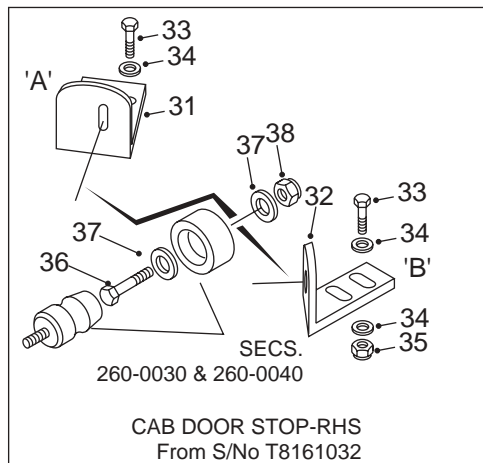
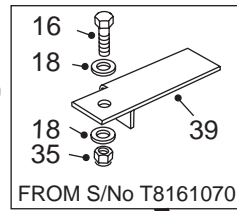
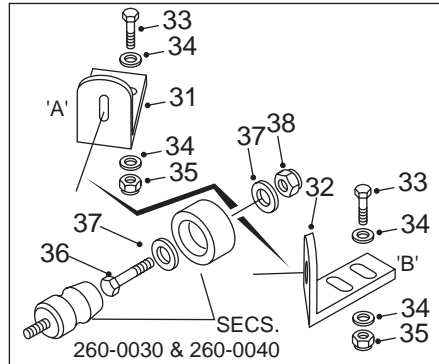
**100-0040-8771 HOOD AND MOUNTING**  
FROM SERIAL NO. T8771011

NC	REF	QTY	PART NO.	DESCRIPTION	SER.NO. FROM	SER.NO. TO
001	001		15305492	HOOD ASSY		
002	001		15305491	BAFFLE ASSY		
003	006		00179883	BOLT		
004	006		09267949	WASHER-HARDENED		
005	001		09134478	GROMMET		
006	ASR		15017388	SEAL		

**100-0070-8771 FENDERS AND MOUNTING**  
 FROM SERIAL NO. T8771011

DRAWING NO. P10189

P10189



**100-0070-8771 FENDERS AND MOUNTING**  
FROM SERIAL NO. T8771011

NC	REF	QTY	PART NO.	DESCRIPTION	SER.NO. FROM	SER.NO. TO
001	001		15305346	FENDER ASSY-LH		
002	001		15330309	FENDER ASSY-RH		
003	001		09015543	BRACKET		
004	001		15257664	HANDRAIL ASSY-RH		
005	001		15257663	HANDRAIL ASSY-LH		
006	001		15330295	PLATFORM ASSY-RH		
007	001		09070366	PLATE		
008	001		15251926	PLATFORM ASSY-LH		
009	001		15305160	CROSSMEMBER ASSY-REA		
010	009		00179887	BOLT		
011	037		09267949	WASHER-HARDENED		
012	021		00274209	LOCKNUT		
013	004		00271565	BOLT		
014	016		09267751	WASHER		
015	004		09354243	LOCKNUT		
016	006		00179889	BOLT		
017	016		00179885	BOLT		
018	022		09270000	WASHER-HARDENED		
019	006		00179839	BOLT		
020	006		00108580	LOCKWASHER		
021	006		00106263	WASHER		
022	003		09262364	BOLT		
023	ASR		09113457	LOCKWIRE		
024	004		00271564	BOLT		
025	002		00271705	BOLT		
026	002		09384793	WASHER-TAPERED		
027	004		00106270	WASHER		
028	004		00273852	LOCKNUT		
029	002		00271703	BOLT		
030	004		09351158	WASHER-TAPERED		
031	001		15315700	BRACKET RH		
032	001		15302618	BRACKET-LH DOOR STOP		
033	002		00179887	BOLT		
034	002		09267949	WASHER		
035	006		00274209	LOCKNUT		
036	001		06350625	BOLT		
037	002		07150620	WASHER		
038	001		06470601	LOCKNUT		
039	001		15321712	BRACKET-PROX SWT		

**R1 05/07 (ECN 108645)**

**100-0090-8771 LADDERS AND HANDRAILS**  
FROM SERIAL NO. T8771011

DRAWING NO. P12000

P12000

