

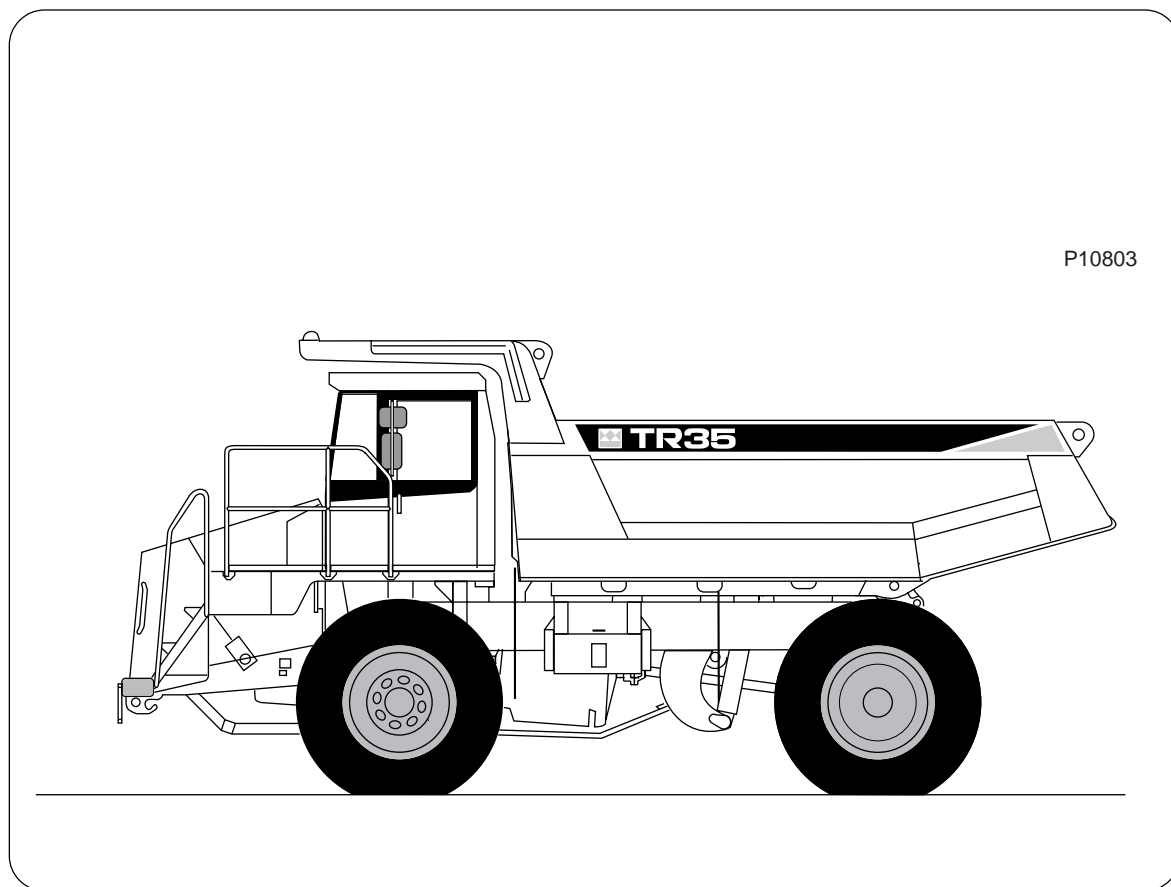
**CLICK HERE FOR
STANDARD
TABLE OF CONTENTS**



Parts Book

**CLICK HERE TO RETURN TO
MAIN LIBRARY INDEX**

**Part Number
15275444**



TR35 Off-Highway Truck

(Cummins QSM11 Powered)

From Serial No. T8161001

Aug 01
Revised Jan 02

PUBLISHED BY:
PRODUCT SUPPORT DEPARTMENT

TEREX EQUIPMENT LIMITED
MOTHERWELL, SCOTLAND

THIS PAGE IS INTENTIONALLY LEFT BLANK



WARRANTY ON PARTS AND ATTACHMENTS

Terex Equipment Limited warrants that for a period of six months after sale of new Terex replacement parts or attachments by an authorised Terex dealer it will repair, or at its option, replace any defective or malfunctioning part or attachment. This warranty covers only malfunctions resulting from defects in material or workmanship.

This warranty does not cover malfunctions resulting from negligence, alteration, accident or overloading; use for a purpose for which the part or attachment is not designed or approved by Terex; loss of time, inconvenience, loss of use of the vehicle or other consequential damages; or labour for removal or reinstallation of defective or malfunctioning parts or attachments.

Repairs or replacements qualifying under this warranty will be performed by any authorised Terex dealer within a reasonable time following delivery of the malfunctioning part or attachment to the dealer's place of business.

Defective or malfunctioning parts or attachments must be delivered to an authorised Terex dealer's place of business during regular business hours for warranty repairs or replacements. The dealer must be furnished with the purchaser's copy of the sales slip or repair order to validate date of purchase.

* * * * *

SOLE WARRANTY

This is the only express warranty applicable to new Terex parts and attachments sold by Terex dealers and Terex neither assumes nor authorises anyone to assume for it any other obligation or liability in connection with such parts or attachments.

THIS PAGE IS INTENTIONALLY LEFT BLANK

INSTRUCTIONS FOR USE OF TEREX PARTS BOOK

This Parts Book is divided into Major Sections which cover components corresponding to specific areas of the machine.

Printed at the top left hand corner of each Parts Page is an Index Code which includes three numbers - the first of these relates to a Major Section, the second indicates a Sub-section within a Major Section and the last the model PLI number. Certain Major Sections may not apply to the particular model covered in this Parts Book and, consequently, will be omitted.

An illustrated Index page shows all the Major Component Section numbers included in the book. For example -

SECTION 100 - CHASSIS

SECTION 140 - FRONT AXLE GROUP

SECTION 230 - BODY HOIST SYSTEM etc.

Major Component Sections are listed in the 'Table Of Contents' pages together with Sub-section headings.

For example to locate the serviceable items of a Steering Cylinder -

1. The Table of Contents shows the steering components to be in Major Section 220.
2. The steering cylinder is listed in Major Section 220, Sub-section 0120
3. Select the Parts Page Code that applies to the unit Serial number for which parts are needed and locate the Page with reference number.

EXAMPLE - 220-0120.

SERIAL NUMBERS - Each Parts Book covers a particular range of unit Serial Numbers.

It is important that unit Serial Numbers are quoted on all orders for Parts.

PARTS LISTS - Parts Forms usually consist of detailed parts information listed on one page together with a parts illustration on the opposite page. The parts list is printed in the order of the reference numbers shown on the parts illustration. The first column lists Note Letters; the second lists the reference numbers; the third shows quantity required and the fourth gives the parts descriptions. Parts which are part of an assembly have their descriptions indented beneath the assembly description.

ILLUSTRATIONS - These show typical assemblies and individual piece parts. They are intended for general reference only and may not always show exact details of parts. Parts are identified on each illustration with an item number. Note the item number of the part required and locate it in the parts list. The part number opposite the item number is the part to order.



INDENTATIONS - Parts which are indented under another part are Sub-groups of a Major Assembly or Sub-assembly. Parts which are not indented are major assemblies or individual component parts which do not belong to a major assembly.

EXAMPLE - 1 9052564 Pump Assy.
2 9058512 . Shaft
3 9024169 . Ring
4 9058132 . Control Assy.
5 9058135 . . Spring
6 9072162 Gasket

- If you order Item 1, you will receive Items 1 - 5.
- If you order Item 4, you will receive Items 4 and 5.
- If you order Item 6, you will receive only Item 6.

NOTES - Whenever there is an alphabetical symbol to the left of the item number, refer to the corresponding note at the bottom of the form for information regarding ordering or application of the particular part number(s) noted.

ABBREVIATIONS - The abbreviations in this book have the following meanings -

Amps	Amperes	Hsg	Housing	N.I	Not Illustrated
As R	As Required	I.D	Inside Diameter	N.L.A	No Longer Available
Assy	Assembly	L.H	Left Hand	N.S.S	Not Sold Separately
Brkt	Bracket	L.W	Lockwasher	O.D	Outside Diameter
Cad-Pltd	Cadium Plated	Lg	Long	Pr	Pair
Comm	Commencement of production	Lkg	Linkage	P.T.O	Power-Take-Off
E.S.N	Elastic Stop Nut	Mtg	Mounting	R.H	Right Hand
Ftgs	Fittings	N.C	Note Code	Std	Standard



Truck



STANDARD SECTIONS


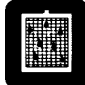


















	CHASSIS	100		COOLING SYSTEM	210
	ENGINE	110		STEERING SYSTEM	220
	TRANSMISSION	120		BODY SYSTEM	230
	DRIVELINE	130		BRAKING SYSTEM	250
	FRONT AXLE	140		AIR SYSTEM	255
	REAR AXLE	160		CAB	260
	BRAKE PARTS	165		BODY	270
	SUSPENSION SYSTEM	180		DECALS	290
	ELECTRICAL SYSTEM	190		MISCELLANEOUS	300
	FUEL SYSTEM	200			

TABLE OF CONTENTS FOR MODEL TR35

FROM SERIAL NO. T8161001

23/01/02

SECT-PAGE-PLI DESCRIPTION

SECTION 100 CHASSIS

- 100-0010-8161 CHASSIS
- 100-0040-8161 HOOD AND MOUNTING
- 100-0070-8161 FENDERS AND MOUNTING
- 100-0090-8161 LADDERS AND HANDRAILS
- 100-0100-8161 RADIATOR GUARD AND MOUNTING
- 100-0140-8161 MUDGUARDS

SECTION 110 ENGINE

- 110-0020-8161 ENGINE ORDERING INSTRUCTIONS
- 110-0030-8161 ENGINE AND MOUNTING**
- 110-0050-8161 AIR CLEANER
- 110-0060-8161 AIR CLEANER PIPES AND HOSES
- 110-0130-8161 POWER TAKEOFF - ENG
- 110-0180-8161 GOVERNOR

SECTION 120 TRANSMISSION

- 120-0010-8161 TRANSMISSION MOUNTING
- 120-0020-8161 TRANSMISSION BREAKDOWN
- 120-0050-8161 CONTROL VALVE
- 120-0070-8161 SHIFT CONTROL
- 120-0100-8161 FILTER
- 120-0110-8161 OIL LINES-TRANSMISSION
- 120-0140-8161 TORQUE BRAKE LINKAGE
- 120-0200-8161 FRONT COVER & CONVERTER GROUP
- 120-0210-8161 CONVERTER HOUSING GROUP
- 120-0220-8161 OIL PUMP
- 120-0240-8161 LOCKUP VALVE
- 120-0260-8161 RETARDER GROUP
- 120-0270-8161 RETARDER CONTROL VALVE
- 120-0290-8161 MAIN HOUSING GROUP
- 120-0300-8161 HIGH RANGE GEARING & CLUTCHES
- 120-0310-8161 INTER RANGE GEARING & CLUTCHES
- 120-0320-8161 LOW RANGE GEARING & CLUTCHES
- 120-0330-8161 REV RANGE GEARING & CLUTCHES
- 120-0331-8161 FORWARD RANGE GEARING & CLUTCH
- 120-0340-8161 REAR COVER GROUP

SECTION 130 DRIVELINE

- 130-0010-8161 FRONT DRIVELINE
- 130-0020-8161 REAR DRIVELINE

SECT-PAGE-PLI DESCRIPTION

SECTION 140 FRONT AXLE

- 140-0040-8161 WHEEL, RIM AND TYRE-FRONT

SECTION 160 REAR AXLE

- 160-0020-8161 DIFFERENTIAL-REAR
- 160-0030-8161 AXLE GROUP-REAR
- 160-0040-8161 PLANETARY GEARING-REAR
- 160-0050-8161 WHEEL, RIM AND TYRE-REAR

SECTION 165 BRAKE PARTS

- 165-0020-8161 BRAKE PARTS-FRONT WHEEL-RIGIDS
- 165-0030-8161 BRAKE PARTS-REAR WHEEL-RIGIDS
- 165-0070-8161 FT AXLE SLACK ADJUSTER-LH
- 165-0071-8161 FT AXLE SLACK ADJUSTER-RH
- 165-0072-8161 REAR WHEEL SLACK ADJUSTER

SECTION 180 SUSPENSION SYSTEM

- 180-0030-8161 FRONT RIDE CYLINDER
- 180-0050-8161 REAR RIDE CYLINDER

SECTION 190 ELECTRICAL SYSTEM

- 190-0010-8161 TERMINALS
- 190-0011-8161 CONNECTORS
- 190-0030-8161 CABLES/HARNESSES-CAB
- 190-0040-8161 CABLES/HARNESSES-CHASS/ENG
- 190-0070-8161 BATTERY AND CABLES**
- 190-0070-8161 BATTERY AND CABLES**
- 190-0080-8161 BATTERY MOUNTING
- 190-0100-8161 ELECTRICAL LIGHTING SYSTEM
- 190-0270-8161 SWITCHES AND SENSORS
- 190-0300-8161 RADIO CASSETTE AND SPEAKERS**
- 190-0300-8161 BATTERY AND CABLES**
- 190-0310-8161 ELECTRICAL HORN

SECTION 200 FUEL SYSTEM

- 200-0010-8161 FUEL TANK AND MOUNTING
- 200-0040-8161 FUEL LINES**
- 200-0050-8161 ACCELERATOR LINKAGE**
- 200-0080-8161 COLD START KIT

R1 01/02

**R1 01/02
01/02**

**R1 01/02
01/02**

**R1 01/02
R1 01/02**

TABLE OF CONTENTS FOR MODEL TR35

FROM SERIAL NO. T8161001

23/01/02

SECT-PAGE-PLI DESCRIPTION

SECTION 210 COOLING SYSTEM

210-0010-8161 RADIATOR ASSEMBLY

210-0020-8161 RADIATOR MOUNTING

210-0030-8161 RADIATOR PIPING

210-0035-8161 CHARGE AIR COOLER & PIPING**R1 01/02****210-0040-8161 RADIATOR HEADER TANK AND HOSES****R1 01/02**

210-0060-8161 OIL COOLER AND PIPING-TRANS

SECTION 220 STEERING SYSTEM

220-0010-8161 STEERING LINES

220-0050-8161 PUMP-STEERING

220-0060-8161 PUMP AND ACCUMULATOR MOUNTING

220-0080-8161 ACCUMULATOR-STEERING

220-0090-8161 STEERING VALVE**R1 01/02**

220-0120-8161 STEERING CYLINDER

220-0130-8161 RELIEF VALVE-STEERING

220-0190-8161 STEERING LINKAGE**R1 01/02****220-0190-8161 STEERING LINKAGE****01/02**

220-0230-8161 STEERING COLUMN MOUNTING

SECTION 230 BODY SYSTEM

230-0020-8161 LINES AND FITTINGS-BODY HOIST

230-0021-8161 SERVO CONTROL LINES-BODY

230-0040-8161 TANK AND MOUNTING-BODY HOIST

230-0050-8161 PUMP-BODY HOIST

230-0060-8161 CONTROL VALVE-BODY HOIST

230-0081-8161 JOYSTICK-BODY CONTROL

230-0090-8161 KICK-OVER VALVE

230-0121-8161 PILOT SUPPLY VALVE

230-0130-8161 HOIST CYLINDERS

230-0140-8161 AIR FILTER-HYDRAULIC TANK

SECTION 250 BRAKING SYSTEM

250-0010-8161 BRAKE LINES-AIR

250-0070-8161 TREADLE VALVE

250-0153-8161 DRY/SLIPPERY VALVE

250-0170-8161 AIR TANK AND MOUNTING

250-0180-8161 QUICK RELEASE/LIMITING VALVE

250-0190-8161 CONTROL VALVE-BRAKES

250-0200-8161 AIR DRIER

250-0250-8161 FRONT BRAKE CHAMBER-LH

SECT-PAGE-PLI DESCRIPTION

SECTION 250 BRAKING SYSTEM

250-0251-8161 FRONT BRAKE CHAMBER-RH

250-0260-8161 BRAKE CHAMBER/PRESS CONVERTER

250-0280-8161 RELAY VALVE

250-0300-8161 SYNCRO VALVE-CONTROL

250-0301-8161 SYNCRO VALVE

SECTION 255 AIR SYSTEM

255-0010-8161 AIR LINES-GENERAL

SECTION 260 CAB

260-0010-8161 CAB ASSEMBLY

260-0015-8161 CAB MOUNTING

260-0030-8161 CAB DOOR-LEFT HAND

260-0040-8161 CAB DOOR-RIGHT HAND

260-0080-8161 SWITCHES AND INSTRUMENTS

260-0090-8161 SEAT-DRIVER**R1 01/02**

260-0110-8161 SEAT-PASSENGER

260-0130-8161 AIR CONDITIONER/HEATER

260-0140-8161 HEATER LINES AND WIRING

260-0145-8161 AIR CONDITIONER LINES**R1 01/02**

260-0171-8161 REAR VIEW MIRROR-RH

260-0190-8161 WINDSCREEN WASHER

SECTION 270 BODY

270-0010-8161 BODY ASSEMBLY

270-0020-8161 EXHAUST HEATED BODY

270-0080-8161 ROCK EJECTORS

SECTION 290 DECALS

290-0010-8161 DECALS-ENGLISH

SECTION 300 MISCELLANEOUS

300-0040-8161 MULTI-TUBE CLAMPS AND HARDWARE

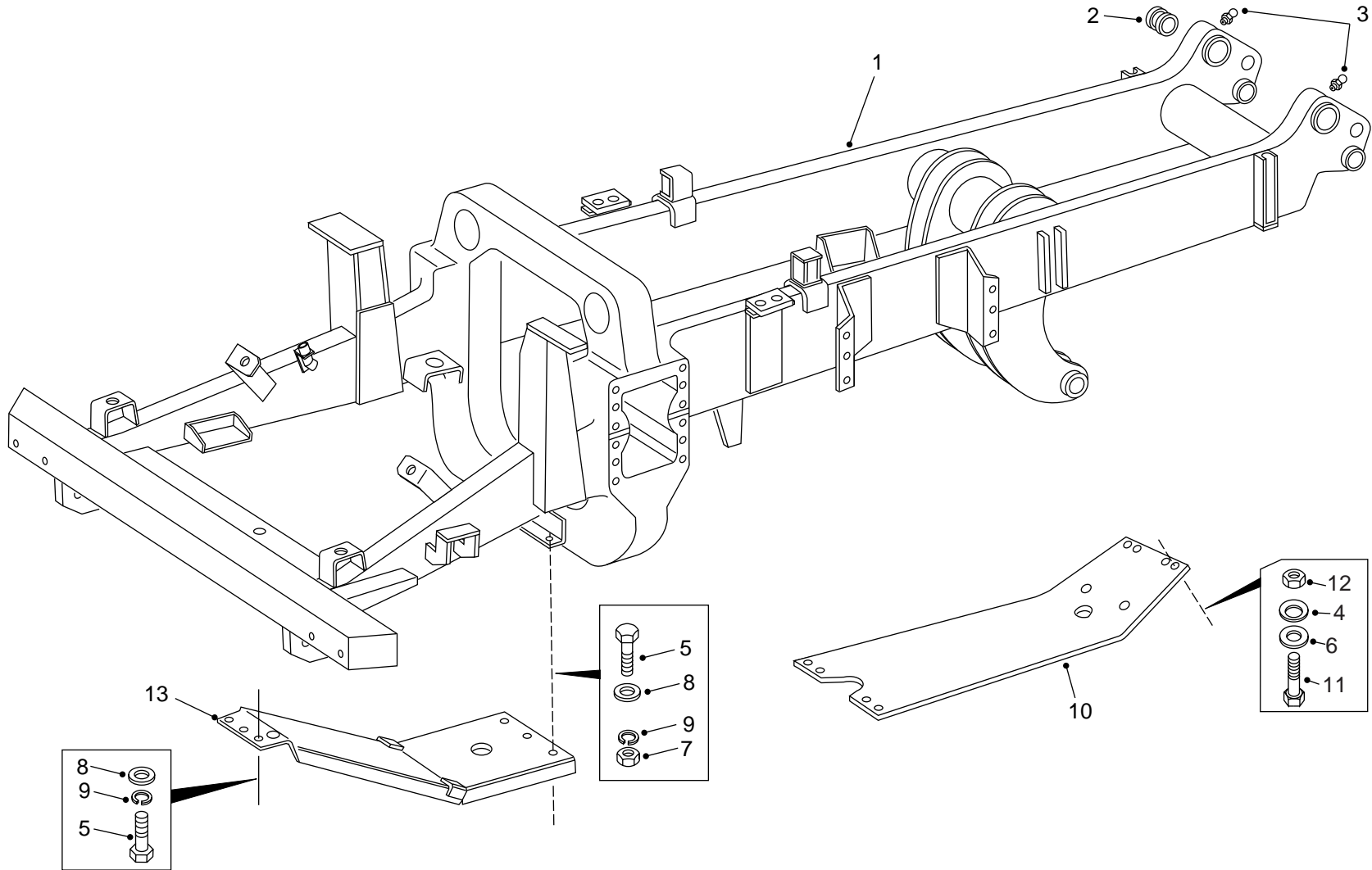
THIS PAGE IS INTENTIONALLY LEFT BLANK

THIS PAGE IS INTENTIONALLY LEFT BLANK

100-0010-8161 CHASSIS
FROM SERIAL NO. T8161001

DRAWING NO. P10187

P10187



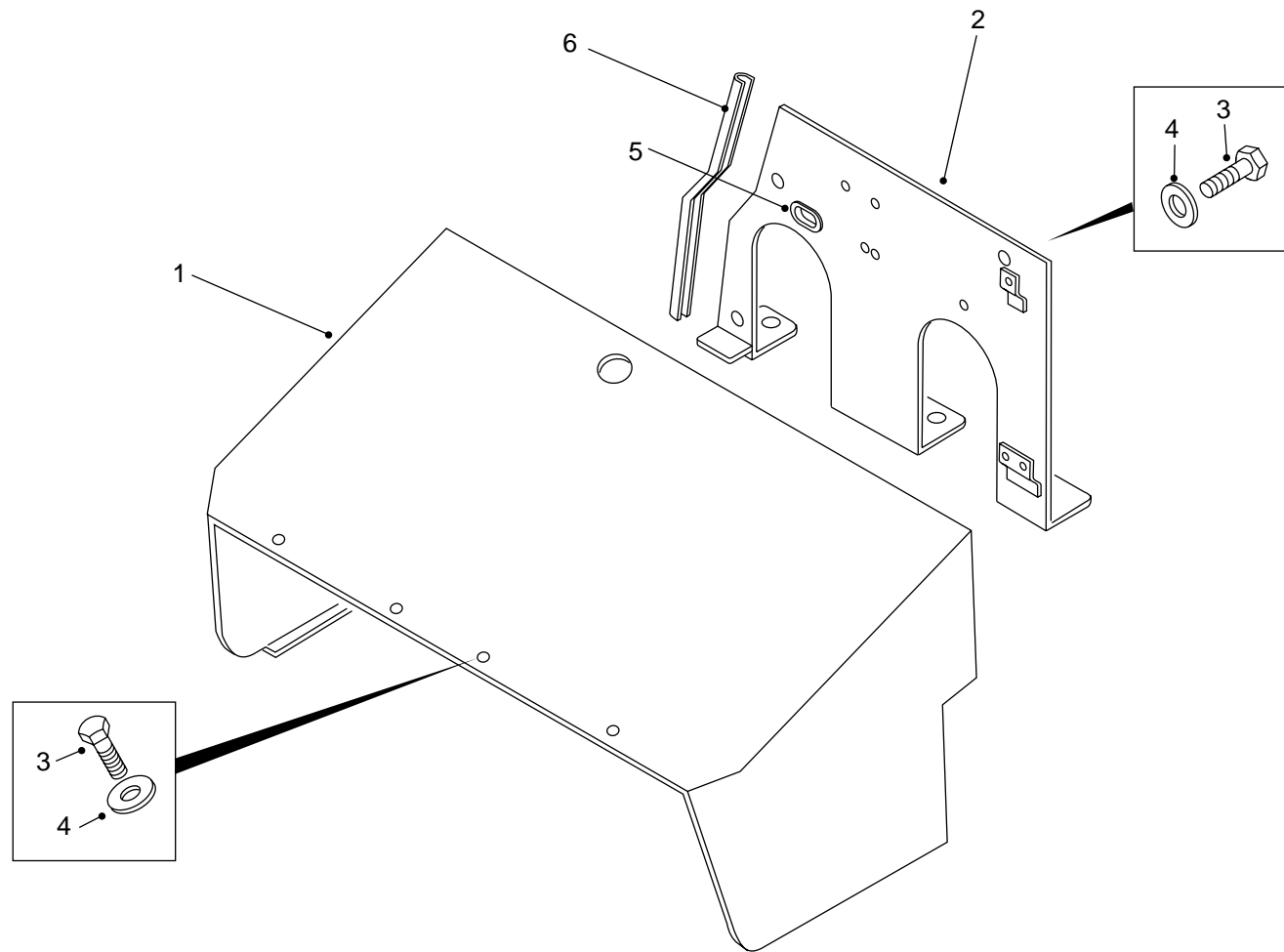
100-0010-8161 CHASSIS
FROM SERIAL NO. T8161001

NC	REF	QTY	PART NO.	DESCRIPTION	SER.NO. FROM	SER.NO. TO
001	001		15309888	FRAME ASSY COMPLETE		
002	002		09015394	.BUSHING		
003	002		09411010	FITTING-GREASE		
004	008		15247567	DISC-SPRING		
005	006		00271612	BOLT		
006	008		09176228	WASHER-HARDENED		
007	003		00220081	NUT		
008	006		00106268	WASHER		
009	006		00103332	LOCKWASHER		
010	001		15001040	GUARD-TRANS		
011	008		00271620	BOLT		
012	008		09355771	NUT		
013	001		15312134	GUARD-ENGINE		

100-0040-8161 HOOD AND MOUNTING
FROM SERIAL NO. T8161001

DRAWING NO. P10188

P10188



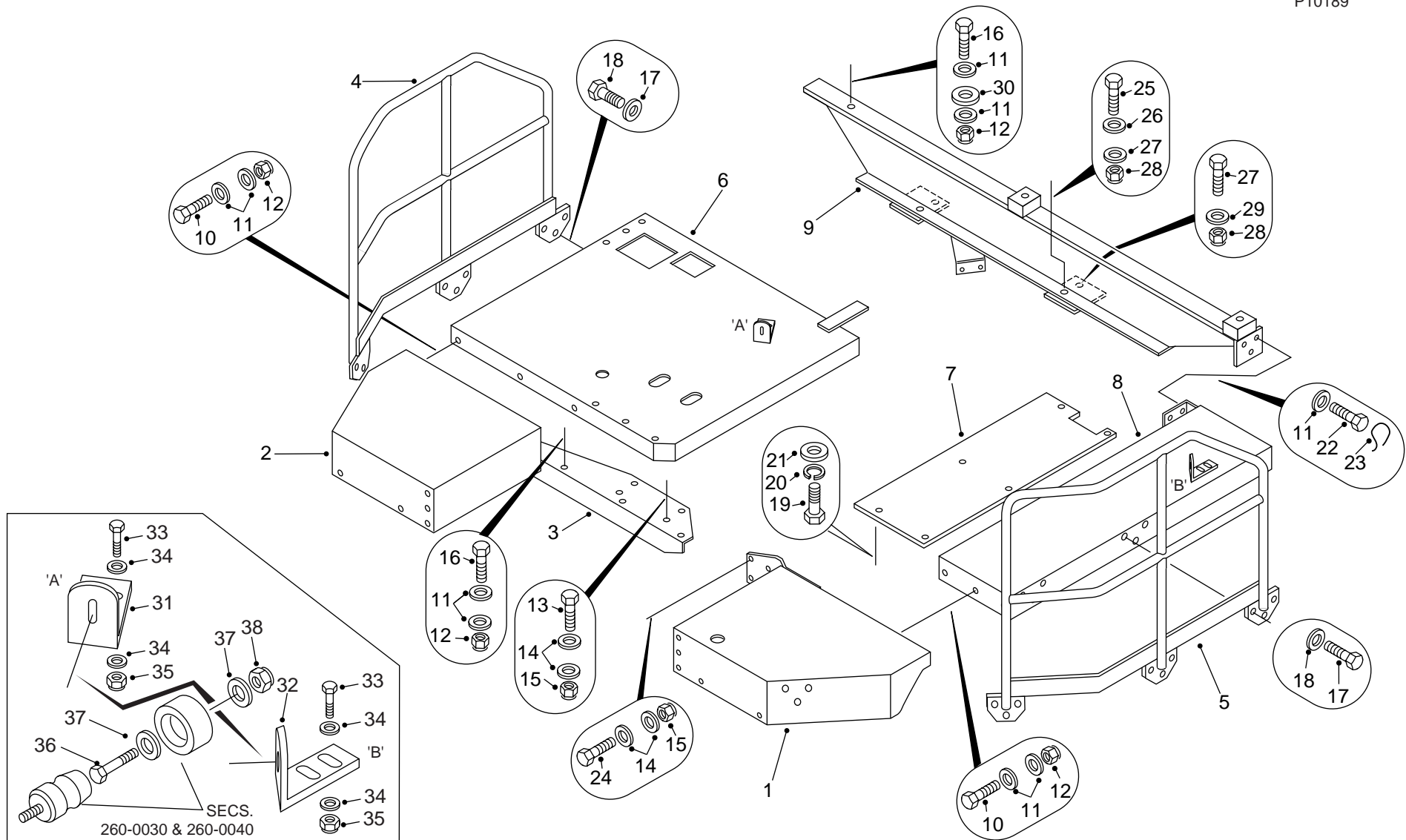
100-0040-8161 HOOD AND MOUNTING
FROM SERIAL NO. T8161001

NC	REF	QTY	PART NO.	DESCRIPTION	SER.NO. FROM	SER.NO. TO
001	001		15305492	HOOD ASSY		
002	001		15305491	BAFFLE ASSY		
003	006		00179883	BOLT		
004	006		09267949	WASHER-HARDENED		
005	001		09134478	GROMMET		
006	ASR		15017388	SEAL		

100-0070-8161 FENDERS AND MOUNTING
FROM SERIAL NO. T8161001

DRAWING NO. P10189

P10189



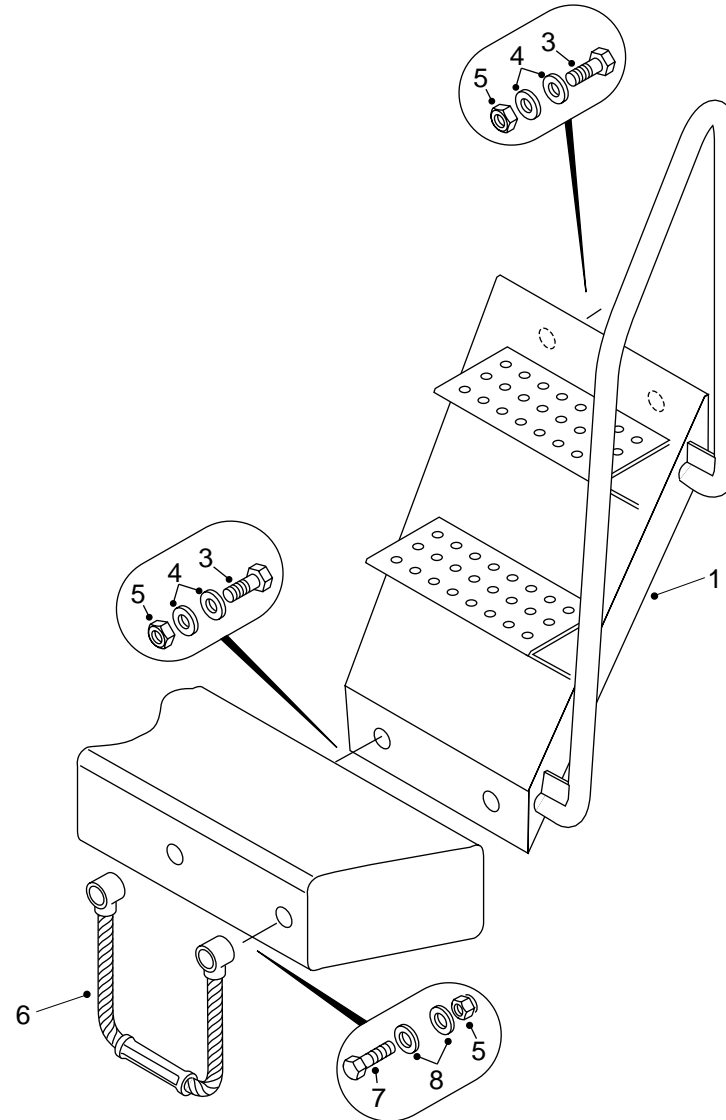
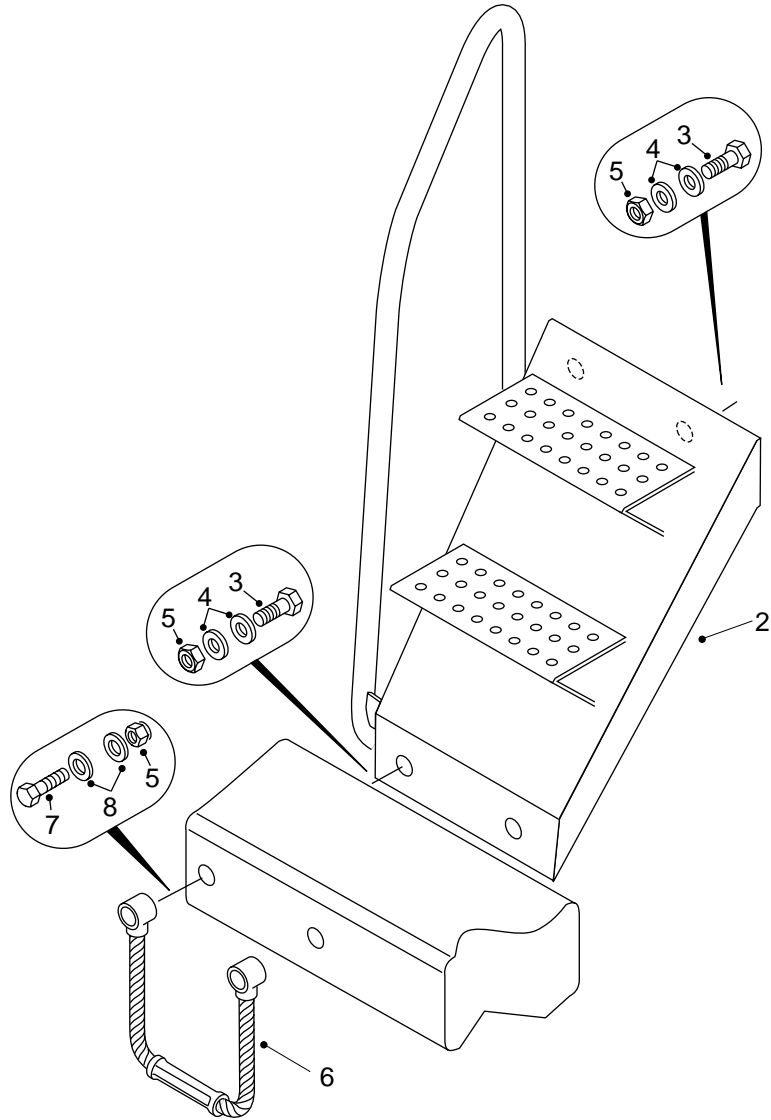
100-0070-8161 FENDERS AND MOUNTING
FROM SERIAL NO. T8161001

NC	REF	QTY	PART NO.	DESCRIPTION	SER.NO. FROM	SER.NO. TO
001	001		15305346	FENDER ASSY-LH		
002	001		15305382	FENDER ASSY-RH		
003	001		09015543	BRACKET		
004	001		15257664	HANDRAIL ASSY-RH		
005	001		15257663	HANDRAIL ASSY-LH		
006	001		15305415	PLATFORM ASSY-RH		
007	001		09070366	PLATE		
008	001		15251926	PLATFORM ASSY-LH		
009	001		15305160	CROSSMEMBER ASSY-REA		
010	009		00179887	BOLT		
011	037		09267949	WASHER-HARDENED		
012	021		00274209	LOCKNUT		
013	004		00271565	BOLT		
014	016		09267751	WASHER		
015	004		09354243	LOCKNUT		
016	004		00179889	BOLT		
017	016		00179885	BOLT		
018	018		09270000	WASHER-HARDENED		
019	006		00179839	BOLT		
020	006		00108580	LOCKWASHER		
021	006		00106263	WASHER		
022	003		09262364	BOLT		
023	ASR		09113457	LOCKWIRE		
024	004		00271564	BOLT		
025	002		00271705	BOLT		
026	002		09384793	WASHER-TAPERED		
027	004		00106270	WASHER		
028	004		00273852	LOCKNUT		
029	002		00271703	BOLT		
030	004		09351158	WASHER-TAPERED		
031	001		15302574	BENT PLATE		
032	001		15302618	BRACKET-LH DOOR STOP		
033	004		00179885	BOLT		
034	008		09270000	WASHER-HARDENED		
035	004		00274209	LOCKNUT		
036	002		06350625	BOLT		
037	004		07150620	WASHER		
038	002		06470601	LOCKNUT		

100-0090-8161 LADDERS AND HANDRAILS
FROM SERIAL NO. T8161001

DRAWING NO. P9173

P9173



100-0090-8161 LADDERS AND HANDRAILS
FROM SERIAL NO. T8161001

NC	REF	QTY	PART NO.	DESCRIPTION	SER.NO. FROM	SER.NO. TO
001	001		15257171	STEP ASSY-LH		
002	001		15257172	STEP ASSY-RH		
003	008		00179885	BOLT		
004	016		09267949	WASHER-HARDENED		
005	012		00274209	LOCKNUT		
006	002		15255698	STEP ASSY		
007	004		00179895	BOLT		
008	008		09270000	WASHER-HARDENED		

100-0100-8161 RADIATOR GUARD AND MOUNTING
FROM SERIAL NO. T8161001

DRAWING NO. P10811

P10811

