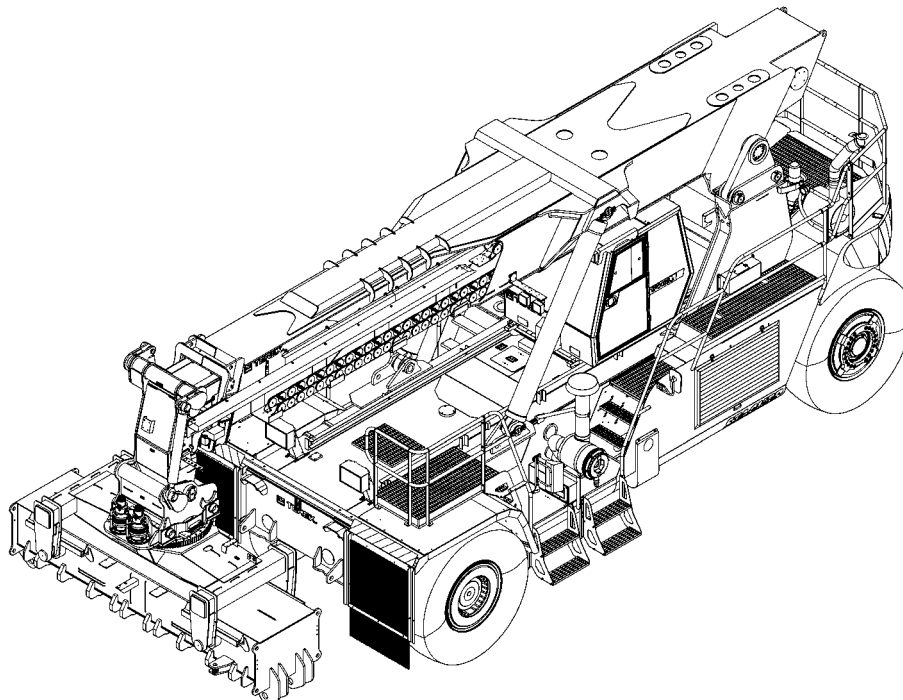
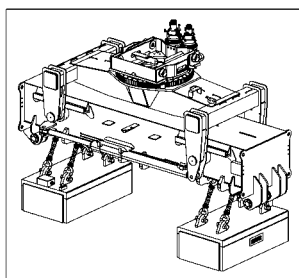
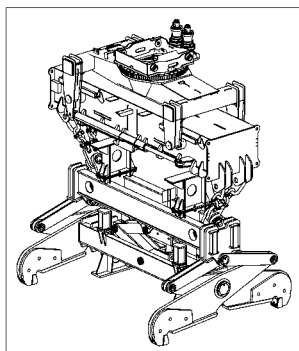




TEREX®

CD TFC45LX hc SIDER. G7544006 (20517-20518-20519)

PIECES DE RECHANGE SPARE PARTS RECAMBIOS





TEREX®



TEREX®

**TEREX CRANES FRANCE SAS
SIEGE SOCIAL – USINE
SERVICES TECHNIQUES**

Z.I. La Saule

B.P. 106

**71304 – MONTCEAU – LES – MINES
FRANCE**

Tel: +33 (0)3 85 67 38 00

Fax: +33 (0)3 85 67 38 99



TEREX®

**TEREX CRANES GmbH & Co.KG
SIEGE SOCIAL – USINE
SERVICES TECHNIQUES**

P.O. Box 1552, D-66465

Dinglerstrasse 24

**D-66482 ZWEIBRÜCKEN
DEUTSCHLAND**

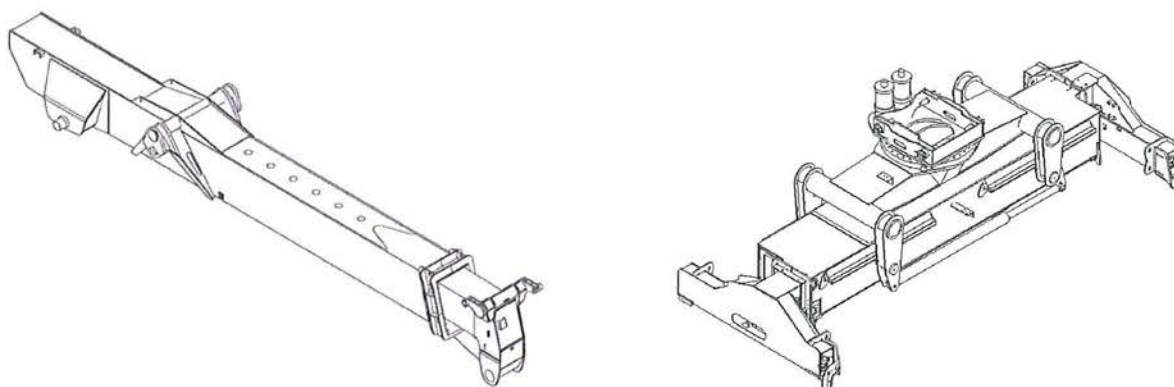
Tel: +49 6332 83-0

Fax: +49 6332 1 67 15

INFORMATIONS GENERALES

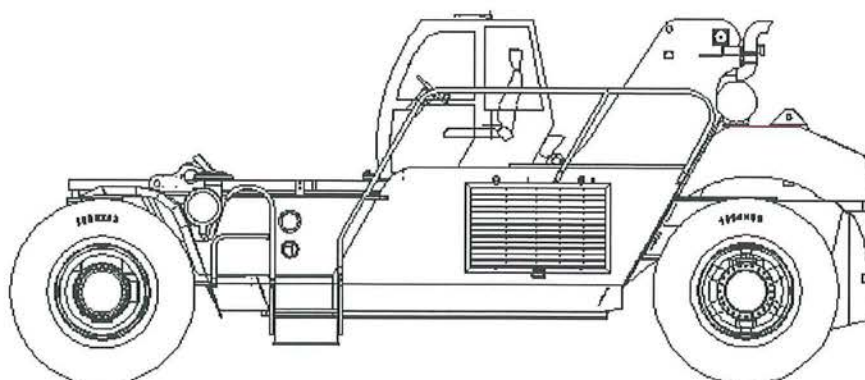
**Ce classeur comprenant la notice PIECES de RECHANGE
est composé de 2 chapitres :**

Chapitre 1 : FLECHE + SPREADER



de 01F-0000-000-0 à 80F-0000-000-0

Chapitre 2 : CHASSIS + ENVIRONNEMENT



de 01P-0000-000-0 à 90P-0000-000-0

INFORMATIONS GENERALES

1 UTILISATION DE LA NOTICE PIECES DE RECHANGE

Il existe deux types de nomenclatures :

- Une nomenclature Fonction (ex. treuil, cabine, contrepoids).
- Une nomenclature Sous Fonction (ex. limiteur du treuil, plaque de cde cabine, tirants de contrepoids).

1.1 EXEMPLE D'UNE NOMENCLATURE DE FONCTION

REP	REFERENCE	QTE	PRE	DESIGNATION	DESIGNACION	DESCRIPTION
			-	MOTEUR CUMMINS	MOTOR	MOTOR
1	10P-0010-048-0	1	-	MONTAGE+LIAISON FILTRES B.V	MONTAJE+CONEXION FILTRO	OIL FILTER CIRCUIT
2	10P-0100-035-1	1	-	MOTEUR EQUIPEMENT	MOTOR EQUIPAMIENTO	EQUIPMENT MOTOR
3	10P-0200-017-1	1	-	MOTEUR CUMMINS QSM11	MOTOR EQUIPAMIENTO	EQUIPMENT MOTOR
3	10P-0300-024-0	1	-	MONTAGE ECHAPPEMENT	ESCAPE	EXHAUST

1.2 EXEMPLE D'UNE NOMENCLATURE DE SOUS FONCTION

A	B	C	D	E	F	G
REP	REFERENCE	QTE	PRE	DESIGNATION	DESIGNACION	DESCRIPTION
			-	MONTAGE+LIAISON FILTRES B.V	MONTAJE+CONEXION FILTRO	OIL FILTER CIRCUIT
1	U-66236-64	1	-	SUPPORT FILTRE HUILE BV	SOPORTE	SUPPORT
2	R-00338-02	2	-	VIS HM 16X30 INOX	TORNILLO	SCREW
3	J-00347-15	2	-	RONDELLE W16	ARANDELA	WASHER
4	A-00350-66	2	-	RONDELLE M16N	ARANDELA	WASHER
5	V-00338-29	6	-	VIS HM 10X30 INOX	TORNILLO	SCREW
6	E-00347-11	6	-	RONDELLE W10	ARANDELA	WASHER

1.3 EXPLICATIONS

Colonne **A** : Repères dans l'illustration.

Colonne **B** : Pour une nomenclature fonction : Différentes sous fonctions constituant la fonction.

Pour une nomenclature sous fonction : Composants constituant la fonction.

Colonne **C** : Quantité - Le nombre indique la quantité dans la sous fonction et non pour la machine complète.

Colonne **D** : Pièces à préconiser pour faire de la maintenance préventive. Quantité et type d'urgence (1 - 2 ou 3).

Colonne **E** : Désignation française.

Colonne **F** et **G** : Désignations pour les différentes langues.

1.4 INSTRUCTIONS POUR LES COMMANDES

Lors de la commande de pièces de rechange, il est nécessaire d'indiquer :

- Le type de machine.
- Le numéro matricule de la machine.
- Le nombre, la désignation et la référence de chacune des pièces désirées.

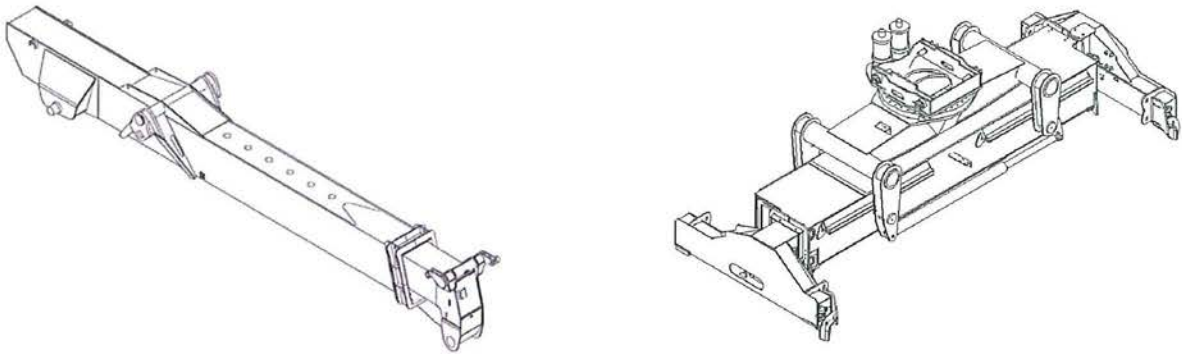


Nous vous remercions par avance, cher client, du respect de cette procédure.

GENERAL FORMATION

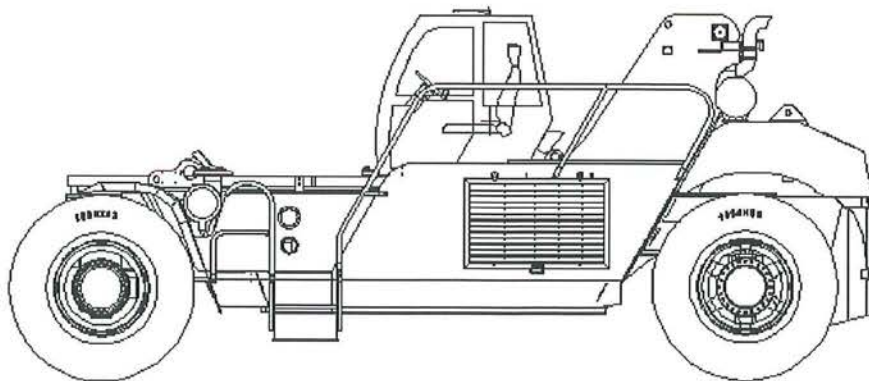
This spare parts catalogue contains 2 chapters :

Chapter 1 : BOOM and SPREADER



from 01F-0000-000-0 to 80F-0000-000-0

Chapter 2 : CARRIER and SUB-ASSEMBLIES



from 01P-0000-000-0 to 90P-0000-0

GENERALS INFORMATIONS

1 HOW TO USE THE SPARE PARTS CATALOGUE

Parts lists are broken down into two groups :

- A main assembly parts list (e.g : winch, cab, counterweight).
- A sub-assembly parts list (e.g : winch limiter, cab control panel, counterweight rods).

1.1 EXAMPLE OF A MAIN ASSEMBLY PARTS LIST

REP	REFERENCE	QTE	PRE	DESIGNATION	DESIGNACION	DESCRIPTION
			-	MOTEUR CUMMINS	MOTOR	MOTOR
1	10P-0010-048-0	1	-	MONTAGE+LIAISON FILTRES B.V	MONTAJE+CONEXION FILTRO	OIL FILTER CIRCUIT
2	10P-0100-035-1	1	-	MOTEUR EQUIPEMENT	MOTOR EQUIPAMIENTO	EQUIPMENT MOTOR
3	10P-0200-017-1	1	-	MOTEUR CUMMINS QSM11	MOTOR EQUIPAMIENTO	EQUIPMENT MOTOR
3	10P-0300-024-0	1	-	MONTAGE ECHAPPEMENT	ESCAPE	EXHAUST

1.2 EXAMPLE OF A SUB-ASSEMBLY LIST

A	B	C	D	E	F	G
REP	REFERENCE	QTE	PRE	DESIGNATION	DESIGNACION	DESCRIPTION
			-	MONTAGE+LIAISON FILTRES B.V	MONTAJE+CONEXION FILTRO	OIL FILTER CIRCUIT
1	U-66236-64	1	-	SUPPORT FILTRE HUILE BV	SOPORTE	SUPPORT
2	R-00338-02	2	-	VIS HM 16X30 INOX	TORNILLO	SCREW
3	J-00347-15	2	-	RONDELLE W16	ARANDELA	WASHER
4	A-00350-66	2	-	RONDELLE M16N	ARANDELA	WASHER
5	V-00338-29	6	-	VIS HM 10X30 INOX	TORNILLO	SCREW
6	E-00347-11	6	-	RONDELLE W10	ARANDELA	WASHER

1.3 EXPLANATION

Column **A** : Reference to parts in drawing.

Column **B** : For a main assembly parts list : Different sub-assemblies which form the main assembly.

For a sub-assembly parts list : Components which form the sub-assembly.

Column **C** : Quantity – The number indicates the quantity required for the sub-assembly and not for the whole machine.

Column **D** : Indicates advised spare part for preventive maintenance. Quantity and urgency level (1 - 2 or 3).

Column **E** : Part description in French.

Column **F** and **G** : Part description in other languages.

1.4 ORDERING INSTRUCTIONS

Give the following details when placing a spare parts order :

- The model of machine.
- The serial number of the machine.
- The quantity, description and part number of each required part.

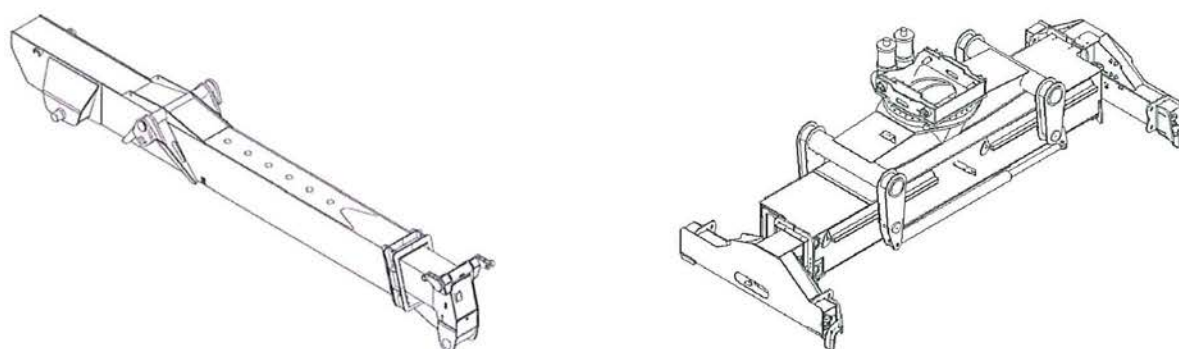


The respect of this procedure will be gratefully appreciated.

INFORMACION GENERAL

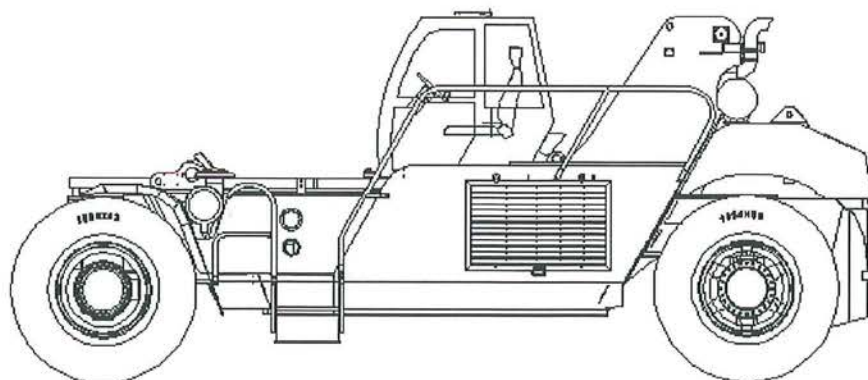
Este manual que incluye la noticia piezas de recambios se compone de 2 capitulos :

Capitulo 1 : FLECHA + SPREADER



de 01F-0000-000-0 à 80F-0000-000-0

Capitulo 2 : BASTIDOR + ENTORNO



de 01P-0000-000-0 à 90P-0000-00P-0000-0

INFORMACION GENERAL

1 UTILIZACION DE LA NOTICIA PIEZAS DE RECAMBIOS

Existe 2 tipos de nomenclaturas :

- Una nomenclatura function – Ejemplo : cabina, contrapeso....
- Una nomenclatura bajo function – Ejemplo : placa de cabina.....

1.1 EJEMPLO DE UNA NOMENCLATURA DE FUNCION

REP	REFERENCE	QTE	PRE	DESIGNATION	DESIGNACION	DESCRIPTION
			-	MOTEUR CUMMINS	MOTOR	MOTOR
1	10P-0010-048-0	1	-	MONTAGE+LIAISON FILTRES B.V	MONTAJE+CONEXION FILTRO	OIL FILTER CIRCUIT
2	10P-0100-035-1	1	-	MOTEUR EQUIPEMENT	MOTOR EQUIPAMIENTO	EQUIPMENT MOTOR
3	10P-0200-017-1	1	-	MOTEUR CUMMINS QSM11	MOTOR EQUIPAMIENTO	EQUIPMENT MOTOR
3	10P-0300-024-0	1	-	MONTAGE ECHAPPEMENT	ESCAPE	EXHAUST

1.2 EJEMPLO DE UNA NOMENCLATURA DE BAJO FUNCION

A	B	C	D	E	F	G
REP	REFERENCE	QTE	PRE	DESIGNATION	DESIGNACION	DESCRIPTION
			-	MONTAGE+LIAISON FILTRES B.V	MONTAJE+CONEXION FILTRO	OIL FILTER CIRCUIT
1	U-66236-64	1	-	SUPPORT FILTRE HUILE BV	SOPORTE	SUPPORT
2	R-00338-02	2	-	VIS HM 16X30 INOX	TORNILLO	SCREW
3	J-00347-15	2	-	RONDELLE W16	ARANDELA	WASHER
4	A-00350-66	2	-	RONDELLE M16N	ARANDELA	WASHER
5	V-00338-29	6	-	VIS HM 10X30 INOX	TORNILLO	SCREW
6	E-00347-11	6	-	RONDELLE W10	ARANDELA	WASHER

1.3 EXPLICACION

Columna **A** : Senal en la ilustracion.

Columna **B** : Para una nomenclatura function : Diferentes bajas funcion que constituye la funcion.
Para una nomenclatura bajo funcion : Componentes que constituyen la baja funcion.

Columna **C** : Cantidad – el numero indica la cantidad en el baja funcion y no para lammaquina totale.

Columna **D** : Parte a preconizar para hacer mantenimiento preventivo.Cantidad y tipo de urgencias. (1-2 o 3)

Columna **E** : Designacion francesca..

Columna **F** y **G** : Designacion para las distintas lenguas

1.4 INSTRUCCIONES PARA LOS PEDIDOS

En el pedido de piezas de recambio, es necesario indicar :

- El tipo maquina.
- El numero matricula de la maquina.
- El numero, el designacion y la referencia de cada una de las partes deseada.



Les agradecemos, querido cliente, del respeto de este procedimiento.

**LISTE DES FILTRES
FILTERS LIST
LISTA DE LOS FILTROS**

PLANCHE CATALOGUE TABLERO CATALOGO SPARE PART TABLE	CODE	QTE	DESIGNATION / DESCRIPTION / DESIGNACION
10P-0200-017	S7590545	1	FILTRE A GASOIL (CUMMINS)
			GASOIL FILTER
			FILTRO A GASOLEO
	T6450551	1	FILTRE A HUILE (CUMMINS)
			OILFILTERER
			FILTRO DE ACEITE
	G6150597	1	FILTRE A EAU (CUMMINS)
			MOTOR WATER FILTER
			FILTRO DE AGUA
10P-0200-027*	S7590545	1	KIT FILTRES CARBURANT (SCANIA)
			GASOIL FILTER KIT
			KIT FILTRO A GASOLEO
	W6650539	1	FILTRE A HUILE EPURATEUR (SCANIA)
			OILFILTERER
			FILTRO DE ACEITE
10P-0350-033	Z6550537	2	FILTRE A HUILE B.V
			OIL GEARBOX FILTER
			FILTRO ACEITE CAJA
	J6650504	1	FILTRE MICRO CIRCUIT
			MICRO FILTER
			MICRO FILTRO
10P-0451-028-0*	V6650538	1	KIT FILTRES POMPE DOSAGE SCR (SCANIA)
			FILTER KIT (SCANIA)
			KIT FILTRO (SCANIA)
15P-0201-026	R6550507	1	FILTRE HYD FREIN
			HYD BRAKE FILTER
			FILTRO HID FRENO
58P-0200-013	M6550595	1	FILTRE CIRCUIT HYD
			HYD. FILTER
			FILTRO HIDRAULICON
58P-0400-009	F6650501	1	FILTRE HYD DIRECTION
			HYD STEERING FILTER
			FILTRO HIDRAULICO DIRECCION
58P-0400-012	P6650532	1	FILTRE CIRCUIT HYD
			HYD. FILTER
			FILTRO HYDRAULICON
58P-0400-013	R6650534	1	FILTRE HYD DIRECTION
			HYD STEERING FILTER
			FILTRO HIDRAULICO DIRECCION
58P-0500-004	G6650525	1	FILTRE MICRO CIRCUIT (version h)
			FILTER MIC. (h version)
			MICRO FILTRO 5(h)
60P-0200-040	S6650512	1	FILTRE - RENIFLARD 1' 1/4
			BREATHER FILTER
			FILTRO RESPIRADO
	G6650525	1	ELEMENT FILTRANT 20 MICRONS
			RESERVOIR FILTER
			FILTRO DEPOSITO
90P-0100-116	G6450540	1	CARTOUCHE FILTRE DECANTEUR (OPTION)
			GASOIL FILTER (OPTION)
			FILTRO GASOLEO (OPCION)

FICHE DE COMPOSITION
SPARE PARTS MANUAL COMPONENTS
FICHA DE COMPOSICION

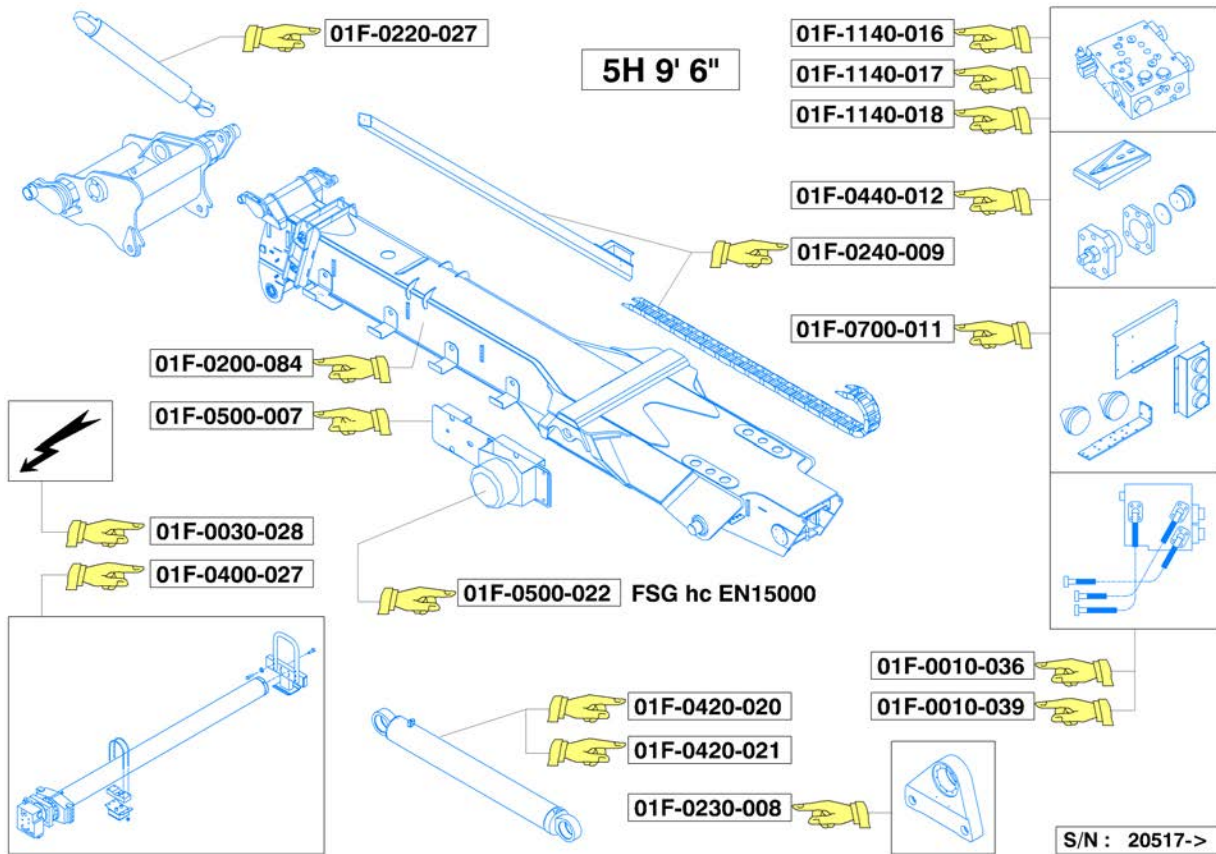
01F-0000-040-10	01F-0000-040-10 FLECHE 5H9'6" 01F-0000-040-10 BOOM JIB 01F-0000-040-10 FLECHA	15
20F-0000-022-1	20F-0000-022-1 SPREADER PORTE OUTIL-ELECTRO AIMANT 20F-0000-022-1 SPREADER 20F-0000-022-1 ROCIADOR	39
20F-0000-027-0	20F-0000-027-0 SPREADER PORTE OUTIL-PINCE MECA 35T 20F-0000-027-0 SPREADER 20F-0000-027-0 SPREADER	58
80F-0000-026-0	80F-0000-026-0 ADHESIFS FLECHE-SPREADER 80F-0000-026-0 ADHESIVE 80F-0000-026-0 ADHESIVOS	77
01P-0000-063-0	01P-0000-063-0 ENVIR. CHASSIS SIDER. CUMMINS 01P-0000-063-0 CHASSIS EQUIPMENT 01P-0000-063-0 ENTORNO CHASSIS	80
05P-0000-048-3	05P-0000-048-3 CABINE BI MOBILE PILOT ELEC. HYD. 05P-0000-048-3 ELEC. HYD. MOVED CAB 05P-0000-048-3 CABINA MOBIL PILOT. ELEC. HYD.	94
10P-0000-057-1	10P-0000-057-1 MOTEUR CUMMINS QSM11 SIDER. 10P-0000-057-1 MOTOR 10P-0000-057-1 MOTOR	113
15P-0000-026-1	15P-0000-026-1 BOITE VTS DANA-CLARK TE27 FULL FLOW 15P-0000-026-1 GEAR BOX 15P-0000-026-1 CAJA VELOCIDADES	127
30P-0000-065-0	30P-0000-065-0 LIAISON PONT AV-ENS SECURITE SIDER. 30P-0000-065-0 AXLE-TIPPING SAFETY 30P-0000-065-0 CONEXIÓN PUENTE	155

FICHE DE COMPOSITION
SPARE PARTS MANUAL COMPONENTS
FICHA DE COMPOSICION

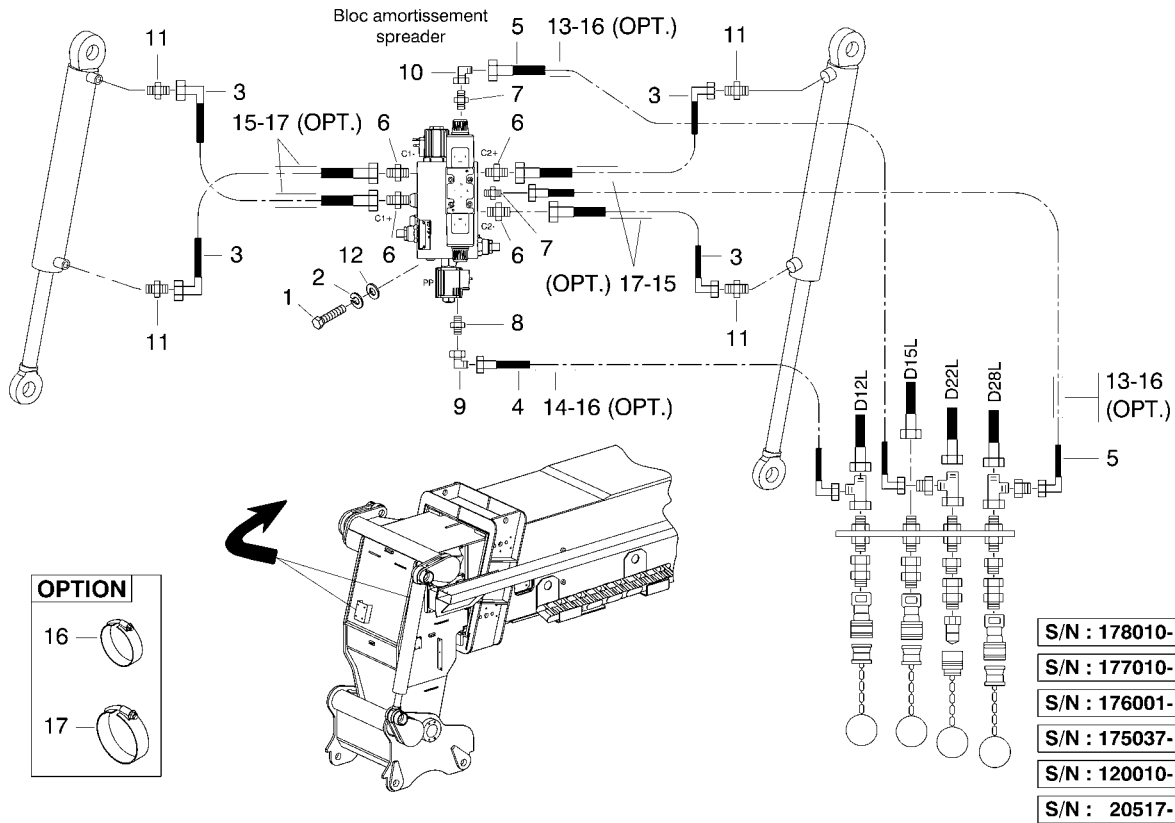
30P-0000-050-0	30P-0000-050-0 PONT KESSLER D106 SIDERURGIE	159
	30P-0000-050-0 KESSLER DRIVING AXLE	
	30P-0000-050-0 PUENTE KESSLER	
30P-0000-062-0	30P-0000-062-0 ESSIEU OMCI	168
	30P-0000-062-0 REAR OMCI AXLE	
	30P-0000-062-0 EJE OMCI	
35P-0000-027-0	35P-0000-027-0 TRAIN DE ROUES SIDERURGIE	174
	35P-0000-027-0 SET OF WHEELS	
	35P-0000-027-0 TREN DE RUEDAS	
40P-0000-032-1	40P-0000-032-1 CARDAN SIDERURGIE KESSLER D106	178
	40P-0000-032-1 U.JOINT	
	40P-0000-032-1 CARDAN	
58P-0000-012-6	58P-0000-012-6 COMPOSANTS HYD.-LIAISONS HYD.	180
	58P-0000-012-6 HYDRAULIC EQUIPMENT	
	58P-0000-012-6 COMPONENTES CONEXIONES	
60P-0000-039-0	60P-0000-039-0 RESERVOIR HYD+GASOIL SID. 20515 -->	217
	60P-0000-039-0 HYD + DIESEL TANK	
	60P-0000-039-0 DEPOSITO HYD GASÓLEO	
65P-0000-026-3	65P-0000-026-3 REFRIGERANTS	223
	65P-0000-026-3 COOLER	
	65P-0000-026-3 REFRIGERANTE	
70P-0000-029-0	70P-0000-029-0 FREINAGE	235
	70P-0000-029-0 BRAKING	
	70P-0000-029-0 FRENADO	
80P-0000-049-0	80P-0000-049-0 ADHESIFS TFC45LX hc SIDERURGIE	240
	80P-0000-049-0 ADHESIVE	
	80P-0000-049-0 ADHESIVO	
<hr/>		
90P-0000-083-0	90P-0000-083-0 OPTION LOT DE BORD	245
	90P-0000-083-0 TOOL KIT OPTION	
	90P-0000-083-0 OPCION LOTE DE BORDE	
<hr/>		

FICHE DE COMPOSITION
SPARE PARTS MANUAL COMPONENTS
FICHA DE COMPOSICION

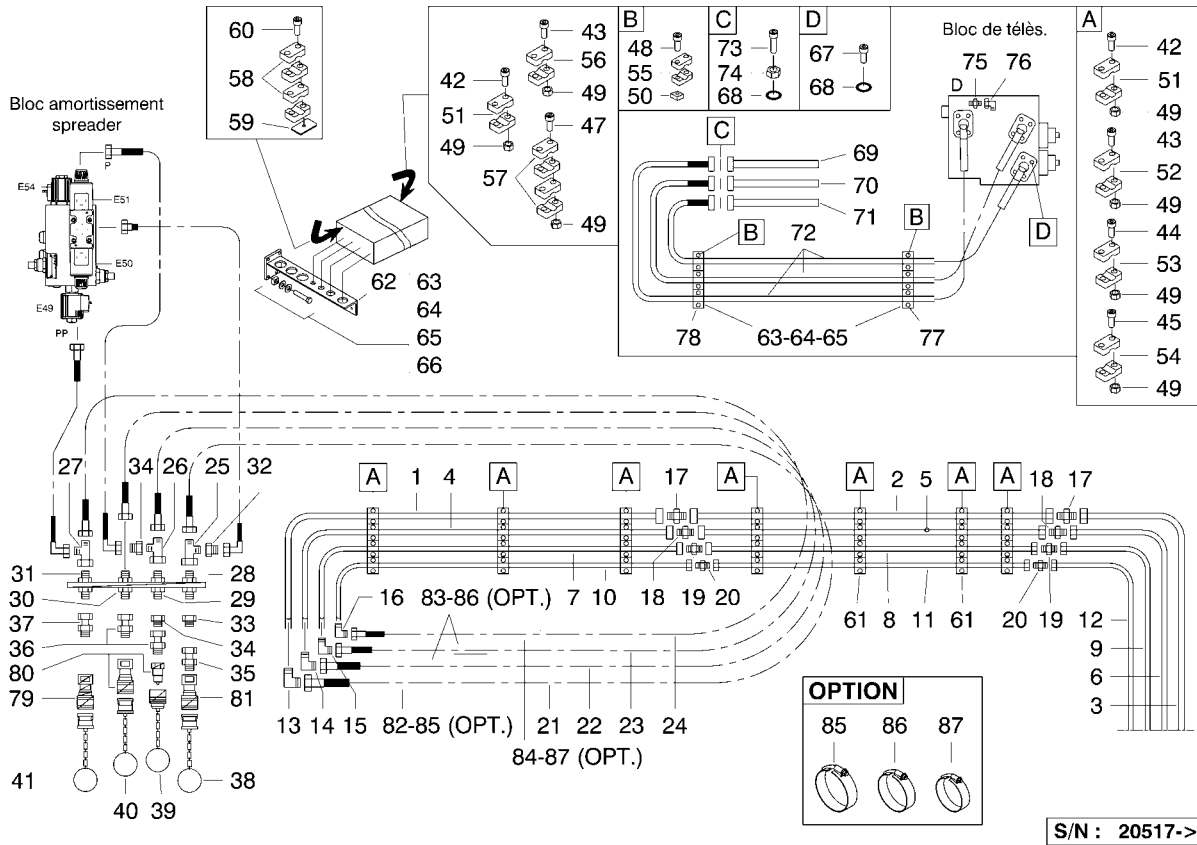
90P-0000-084-0	90P-0000-084-0 OPTION CRIC HYDRAULIQUE	248
	90P-0000-084-0 HYD. LIFTING JACK OPTION	
	90P-0000-084-0 OPCION GATO HIDRAULICO	
90P-0000-085-2	90P-0000-085-2 OPTION CAMERA AVANT-ARRIERE	250
	90P-0000-085-2 REAR FRONT CAMERA OPTION	
	90P-0000-085-2 OPT. CAMARA DELANTERA-ATRAZ.	
90P-0000-226-0	90P-0000-226-0 OPTION FEUX XENON	254
	90P-0000-226-0 XENON LIGHTS OPTION	
	90P-0000-226-0 OPCION FUEGOS XENON	



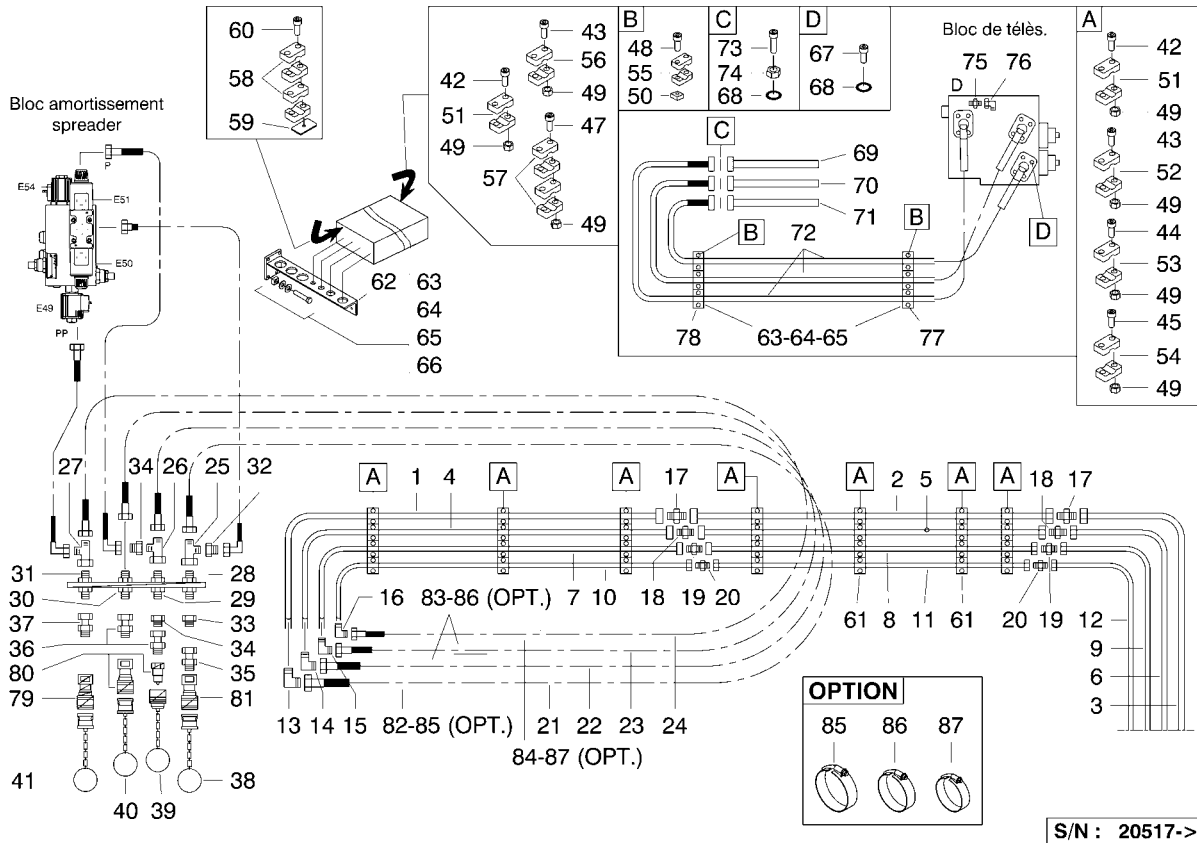
REP	REFERENCE	QTE	PRECO	DESIGNATION	DESCRIPTION	DESIGNACION
				01F-0000-040-10 FLECHE 5H9'6"	01F-0000-040-10 BOOM JIB	01F-0000-040-10 FLECHA
	01F-0010-036-1			LIAISON HYD. TILT LONG	HYDRAULIC CIRCUIT	CIRCUITO HIDRAULICO
	01F-0010-039-2			LIAISON HYD. FLECHE 5H9'6"	HYDRAULIC CIRCUIT	CIRCUITO HIDRAULICO
	01F-0030-028-3			MONTAGE ENS CABLAGE FLECHE	ELECTRICAL EQUIPMENT	MONTAJE JUNTOS CABLEADO
	01F-0200-084-0			ELEMENTS-FLECHE	JIB SECTION	ELEMENTOS
	01F-0220-027-1			ARTICULATION+VERINS TILT	ARTICULATION + CYLINDER	ARTICULACIÓN + GATOS
	01F-0230-008-0			PALIER DE FLECHE	FITTING THE BEARING	DESCANSILLOS DE BRAZO
	01F-0240-009-1			CHAINE PORTE FLEXIBLES E1435	CABLE SUPPORT	CADENA LLEVA FLEXIBLES
	01F-0400-027-6			VERIN TELESCOPAGE EQ.	TELESCOP. ACCESSORIES	GATO CHOQUE DE FRENTE EQ.
	01F-0420-020-4			VERIN RELEVAGE EQ. (C-L-LS-LX)	CYLINDER ASSY	GATO LEVANTAMIENTO EQUIP.
	01F-0420-021-3			VERIN RELEVAGE EQ. (LSX)	CYLINDER ASSY	GATO LEVANTAMIENTO EQUIP.
	01F-0440-012-2			PATINS GLISSEMENT-PATINS LAT.	SLIDING	PATINES DESLIZAMIENTOS
	01F-0500-007-3			MONTAGE ENROULEUR FSG	CABLE WINDER	MONTAJE ENROLLADOR
	01F-0500-022-0			ENROULEUR DOUBLE FSG	CABLE WINDER	RODILLO
	01F-0700-011-1			FEUX SIGNAL. - PHARES TRAVAIL	LIGHTS	FUEGOS SEñALIZACIÓN
	01F-1140-016-1			VALVE VERIN TELESCOPAGE	TELES CYLINDER VALVE	VALVADO GATO
	01F-1140-017-2			VALVE VERIN RELEVAGE	RAISING CYLINDER VALVE	VALVADO GATO
	01F-1140-018-0			VALVE VERIN AMORTI. SPREADER	SPREADER VALVE	VÁLVULA AMORTISSADORA



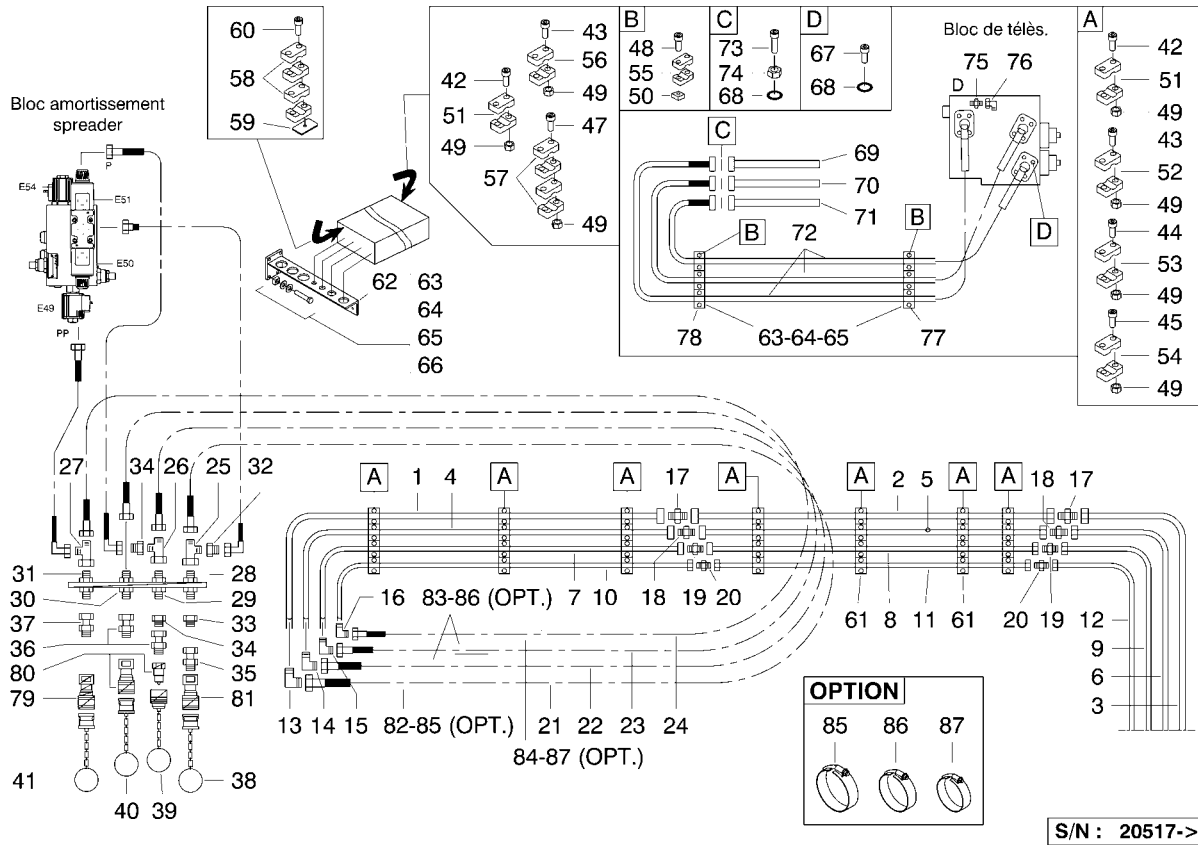
REP	REFERENCE	QTE	PRECO	DESIGNATION	DESCRIPTION	DESIGNACION
				LIAISON HYD. TILT LONG	HYDRAULIC CIRCUIT	CIRCUITO HIDRAULICO
1	T0033827	3		VIS H M10X25/25 CL8.8	SCREW	TORNILLO
2	E0034711	3		RONDELLE W10	WASHER	ARANDELA
3	K6742206	4		FLEXIBLE D25S FF/DC90 L1000	HOSE	FLEXIBLE
4	V7431917	1		FLEXIBLE D12L L1600 BC	HOSE	FLEXIBLE
5	F7431926	2		FLEXIBLE D15L L1600 BC	HOSE	FLEXIBLE
6	J3437565	4		UNION SM 34G CYL D25S	UNION	UNIÓN
7	D0437555	2		UNION SM 27G D15L	UNION	UNIÓN
8	Z4937570	1		UNION SM 1/4 D12L	UNION	UNIÓN
9	U1837005	1		EQUERRE ORIENTABLE D12L NUE	ANGLE PIECE	ESCUADRA
10	C0337067	1		EQUERRE ORIENT D15L	ANGLE PIECE	ESCUADRA
11	H7337536	4		UNION SM 3/4G CYL.D25S NUE	UNION	UNION
12	W0035003	4		RONDELLE M10N	WASHER	ARANDELA
13	F1503630	3,2m		GAINE PROT. THERM. D32 (OPT.)	COVER	VAINA
14	E1503629	1,6m		GAINE PROT. THERM. D25 (OPT.)	COVER	VAINA
15	H1503632	4m		GAINE PROT. THERM. D45 (OPT.)	COVER	VAINA
16	M0036903	6		COLLIER SERRAGE D16/27 (OPT.)	COLLAR	COLLAR
17	Q0036998	8		COLLIER DE SERRAGE D25/40	COLLAR	CUELLO



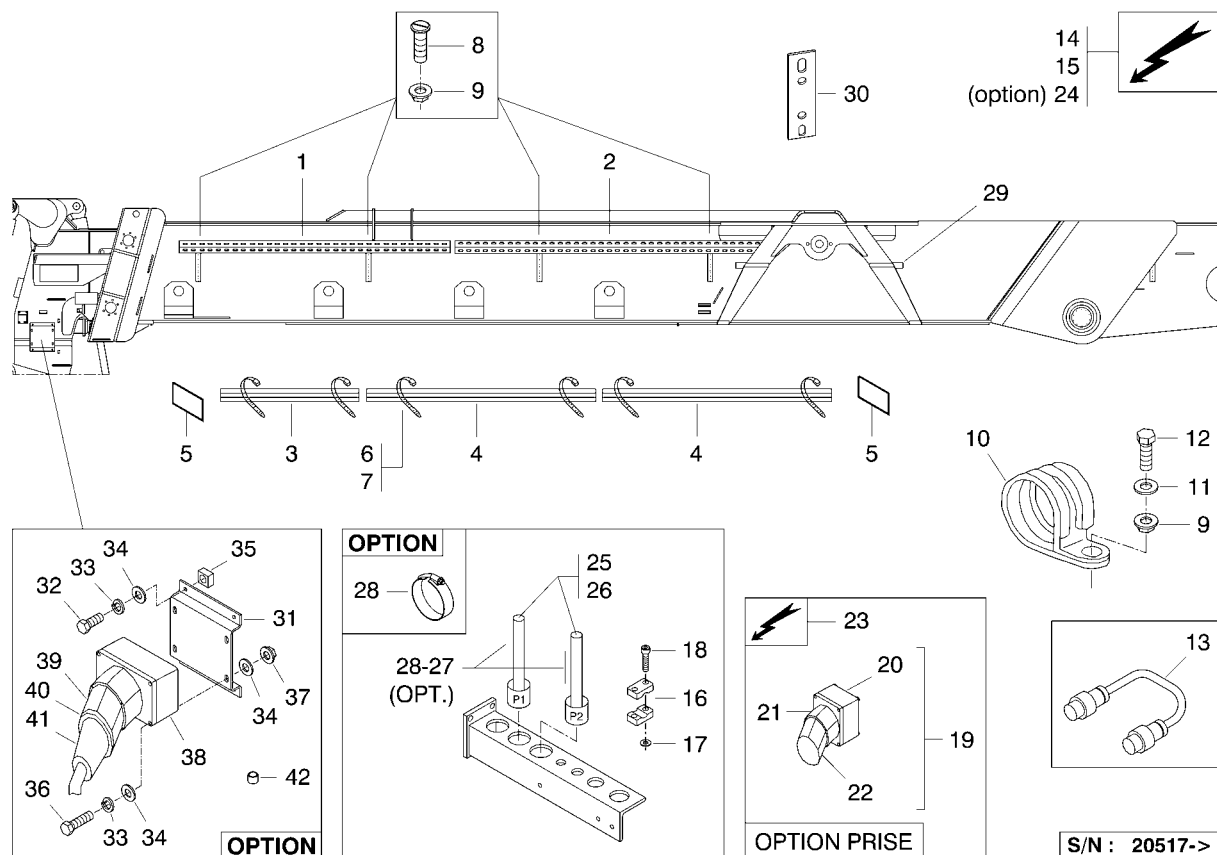
REP	REFERENCE	QTE	PRECO	DESIGNATION	DESCRIPTION	DESIGNACION
				LIAISON HYD. FLECHE 5H9'6"	HYDRAULIC CIRCUIT	CIRCUITO HIDRAULICO
1	X5447847	1		TUYAU D28L FC 2 COUDES	PIPE	TUBO
2	N7337633	1		TUYAU D28L DROIT L5620	PIPE	TUBO
3	G9349161	1		TUYAU D28L FC 5 COUDES	PIPE	TUBO
4	Z5447848	1		TUYAU D22L FC 2 COUDES	PIPE	TUBO
5	P7337634	1		TUYAU D22L DROIT L5470	PIPE	TUBO
6	H9349162	1		TUYAU D22L FC 5 COUDES	PIPE	TUBO
7	A5447849	1		TUYAU D15L FC 2 COUDES	PIPE	TUBO
8	R7337636	1		TUYAU D15L DROIT L5360	PIPE	TUBO
9	K9349164	1		TUYAU D15L FC 5 COUDES	PIPE	TUBO
10	B5447850	1		TUYAU D12L FC 2 COUDES	PIPE	TUBO
11	Q7337635	1		TUYAU D12L DROIT LG5210	PIPE	TUBO
12	J9349163	1		TUYAU D12L FC 5 COUDES	PIPE	TUBO
13	E0337092	1		EQUERRE MALE EGALE D28L	ANGLE PIECE	ESCUADRA MACHO
14	V1837075	1		EQUERRE MALE EGALE D22L	ELBOW-CONNECTION	ESCUADRA MACHO
15	W0337016	1		EQUERRE MALE EGALE D15L	ANGLE PIECE	ESCUADRA MACHO
16	K0337097	1		EQUERRE MALE EGALE D12L	ELBOW-CONNECTION	ESCUADRA MACHO
17	S1737574	2		UNION DM D28L	UNION	UNIÓN
18	R1737573	2		UNION DM D22L	UNION	UNIÓN
19	J0437537	2		UNION DM 15L	UNION	UNIÓN
20	B3437558	2		UNION DM D12L	UNION	UNIÓN
21	P6742256	1		FLEXIBLE D28L FF/DD L10600	HOSE	FLEXIBLE
22	Q6742257	1		FLEXIBLE D22L FF/DD L10600	HOSE	FLEXIBLE
23	R6742258	1		FLEXIBLE D15L FF/DD L10400	HOSE	FLEXIBLE
24	S6742259	1		FLEXIBLE D12L FF/DD L10400	HOSE	FLEXIBLE
25	U1137207	1		TE ORIENT. RENV. D28L	T PIECE	RACOR T
26	A1137235	1		TE ORIENT. RENV. D22L	T PIECE	TE ORIENT.
27	F1137240	1		TE ORIENT. RENV. D12L	T PIECE	TE ORIENT.
28	L7237535	1		UNION DM DE CLOISON D28L	UNION	UNIÓN
29	S4937587	1		UNION DM DE CLOISON D22L	UNION	UNIÓN
30	N2837568	1		UNION DM CLOISON D15L	UNION	UNIÓN
31	S3737585	1		UNION DM DE CLOISON D12L	UNION	UNIÓN



REP	REFERENCE	QTE	PRECO	DESIGNATION	DESCRIPTION	DESIGNACION
				LIAISON HYD. FLECHE 5H9'6"	HYDRAULIC CIRCUIT	CIRCUITO HIDRAULICO
32	V2937510	1		RACCORD MF RED. D28L/D15L	CONNECTION	CONEXIÓN
33	J7237510	1		RACCORD MF RED. D28L/D22L	CONNECTION	CONEXIÓN
34	H7237509	2		RACCORD MF RED. D22L/D15L	CONNECTION	CONEXIÓN
35	J4937579	1		RACCORD 27G CYL EMB. D22L	CONNECTION	CONEXIÓN
36	K2837588	2		RACCORD 21G CYL EMB D15L EQ.	CONNECTION	CONNECTION
37	Q0437543	1		RACCORD 17G CYL EMB. D12L	CONNECTION	CONEXIÓN
38	P2137449	1		BOUCHON MALE 3/4' RACC RAP.	PLUG	PLUG
39	V2137455	1		BOUCHON F 1/2" RACCORD RAPIDE	PLUG	TAPÓN
40	N2137448	1		BOUCHON M 1/2 RACCORD RAPIDE	PLUG	TAPÓN
41	M2137447	1		BOUCHON M 3/8 RAC. RAPIDE	PLUG	TAPÓN
42	C0032915	21		VIS CHC M6X50 CL 8.8	SCREW	TORNILLO
43	F0032918	22		VIS CHC M6X45 8.8	SCREW	TORNILLO
44	H0432913	20		VIS CHC M6X408.8	SCREW	SCREW
45	B0032914	20		VIS CHC M6X35 8.8	SCREW	TORNILLO
47	Z0332901	2		VIS CHC M6X70 8.8	SCREW	TORNILLO
48	E0232902	12		VIS CHC M6X60 8.8	SCREW	TORNILLO
49	C2334548	80		ECROU TW6	NUT	TUERCA
50	P2034570	12		ECROU Q M6 22X22 A RAIL	NUT	NUT
51	G4720342	20		BRIDE 1D28	BRACKET	BRIDA
52	Q4120326	20		BRIDE 1D22	BRACKET	BRIDA
53	K3020346	18		BRIDE 1D15	FLANGE	FLANGE
54	X4120379	18		BRIDE 1 D12	BRACKET	BRIDA
55	B4120382	12		BRIDE 1D32	CONNECTION	BRIDA
56	P4720326	2		BRIDE 1D20	BRACKET	BRIDA
57	N7420341	2		BRIDE 1 D35	BRACKET	BRIDA
58	D3020386	6		BRIDE 2 D18	BRACKET	BRIDA
59	Z0327059	2		PLAQUE INF. BRIDE 2D14	PLATE	PLACA
60	Q0032651	1		VIS HM 8X65 CL 8.8	SCREW	TORNILLO
61	A6226238	2		PLAT SUPPORT TUYAU	PLATE	PLACA
62	E6728424	1		CORNIERE A PLATINE	ANGLE IRON	ANGULAR
63	V0033829	4		VIS HM 10X30/26 CL88 P	SCREW	TORNILLO



REP	REFERENCE	QTE	PRECO	DESIGNATION	DESCRIPTION	DESIGNACION
				LIAISON HYD. FLECHE 5H9'6"	HYDRAULIC CIRCUIT	CIRCUITO HIDRAULICO
64	E0034711	4		RONDELLE W10	WASHER	ARANDELA
65	W0035003	4		RONDELLE M10N	WASHER	ARANDELA
66	N2034569	6		ECROU Q M8 22X22 A RAIL	NUT	TUERCA
67	G6232983	12		VIS CHC M10X40 10.9 DACROMET	SCREW	TORNILLO
68	D0330421	6		JOINT- TORE 3.53 X 32.92 -80	O RING	ADJUNTADO - TORO
69	A9349040	1		TUYAU D32S FC 3 COUDES	PIPE	TUBO
70	B9349041	1		TUYAU D32S FC 3 COUDES	PIPE	TUBO
71	C9349042	1		TUYAU D32S FC 3 COUDES	PIPE	TUBO
72	N5131956	3		FLEXIBLE HYD HP M16 L900 AC	HOSE	FLEXIBLE
73	H6232984	12		VIS CHC M12X70 10.9 DACROMET	SCREW	TORNILLO
74	U0234158	12		ECROU HM12 CL10 DACROMET	NUT	TUERCA
75	H3737530	1		UNION SM 17G D12L	UNION	UNIÓN
76	U1837005	1		EQUERRE ORIENTABLE D12L NUE	ANGLE PIECE	ESCUADRA
77	Q6226229	1		SUPPORT TUYAU	SUPPORT	APOYO TUBO
78	T6226255	1		SUPPORT TUYAU	SUPPORT	APOYO TUBO
79	S2837572	1		COUPLEUR HYD. COMPLET 3/8"	COUPLING	ACOPLADOR
80	T2837573	2		RACCORD RAPIDE 1/2 MF HP 1/2"	CONNECTION	CONEXIÓN
81	U2837574	1		RACCORD RAPIDE MF HP 3/4	CONNECTION	CONEXIÓN
82	G1503631	1m		GAINÉ PROT. THERM. D38 (OPT.)	COVER	VAINA
83	F1503630	2m		GAINÉ PROT. THERM. D32 (OPT.)	COVER	VAINA
84	E1503629	1m		GAINÉ PROT. THERM. D25 (OPT.)	COVER	VAINA
85	W0036935	2		COLLIER SERRAGE D40/60 (OPT.)	COLLAR	COLLAR
86	Q0036998	4		COLLIER DE SERRAGE D25/40	COLLAR	CUELLO
87	M0036903	2		COLLIER SERRAGE D16/27 (OPT.)	COLLAR	COLLAR



REP	REFERENCE	QTE	PRECO	DESIGNATION	DESCRIPTION	DESIGNACION
				MONTAGE ENS CABLAGE FLECHE	ELECTRICAL EQUIPMENT	MONTAJE JUNTOS CABLEADO
1	W0401853	1		CHEMIN CABLE 1920X50	SUPPORT	RED DE CANALIZACIONES
2	C0401835	1		CHEMIN DE CABLE 2760X50	SUPPORT	RED DE CANALIZACIONES
3	U0401851	1		COUVERCLE 920X50	COVER PLATE	TAPA
4	W0401830	2		COUVERCLE 2000X50	COVER PLATE	TAPA
5	X1703102	0,9		JOINT CLIPSTAN PM 4MM	SEAL	ADJUNTADO
6	D0136922	60		COLLIER UNIVERSEL L350	COLLAR	CUELLO UNIVERSAL
7	P0236959	40		COLLIER UNIVERSEL L165	COLLAR	CUELLO UNIVERSAL
8	X0232551	18		VIS BHC M6X16 INOX ISO 7380	SCREW	TORNILLO
9	C2334548	23		ECROU TW6	NUT	TUERCA
10	B0636917	1		COLLIER SUPPORT D 49	MOUNTING CLIP	COLLAR
11	U0035001	1		RONDELLE M6N	WASHER	ARANDELA
12	Z0033809	1		VIS H M6X20X1LG FIL20 CL88	SCREW	TORNILLO
13	H8552235	2		CABLE FLECHE EQ. TFC L "ELME"	CABLE	CABLE BRAZO
13	H8552235	1		CABLE FLECHE EQ. TFC L "ELME"	CABLE	CABLE BRAZO
14	M8452235	1		FAISCEAU TETE FLECHE TFC1414	CABLE	HAZ BRAZO
15	Q8552242	1		FAISCEAU IQUAN TFC45L-LS hc	CABLE	HAZ BRAZO
16	Z4120380	4		BRIDE 2D12	BRACKET	BRIDA
17	M0235002	1		RONDELLE L6N	WASHER	ARANDELA
18	T0133808	1		VIS H M6X45X18 CL88	SCREW	TORNILLO
19	V6440732	1		PRISE COURANT 30°F 230V/150A	CONNECTION	TOMA
20	W6440733	1		BOITIER BASE RACCORD PRISE	BOX	CAJA
21	X6440734	1		MANCHON 30° ADAPT. PRISE DB9	CONNECTION	TOMA
22	A6440736	1		PRISE SOCLE FEMELLE	CONNECTION	TOMA
23	U8852212	1		FAISCEAU TETE FLECHE	CABLE	HAZ BRAZO
24	S8852210	1		FAISCEAU MODUL. ROTATIF	CABLE	HAZ BRAZO
25	L8452234	2		CABLE FLECHE EQ. TFC45H-HC	CABLE	CABLE BRAZO
26	C8652234	2		CABLE FLECHE EQ. TFC (LX)	CABLE	CABLE BRAZO
27	J1503633	2m		GAINÉ PROT. THERM. D51 (OPT.)	COVER	VAINA
28	W0036935	4		COLLIER SERRAGE D40/60 (OPT.)	COLLAR	COLLAR
29	F6029363	1		TUBE PVC D80 EP3 LG4000	PIPE	TUBO
30	L6622837	1		SUPPORT CHEMIN DE CABLES	SUPPORT	SOPORTE