

## Terex Ta40 Ocdb Articulated Truck Parts Book

Full download: <http://manualplace.com/download/terex-ta40-ocdb-articulated-truck-parts-book/>

[CLICK HERE FOR  
TRACTOR  
TABLE OF CONTENTS](#)

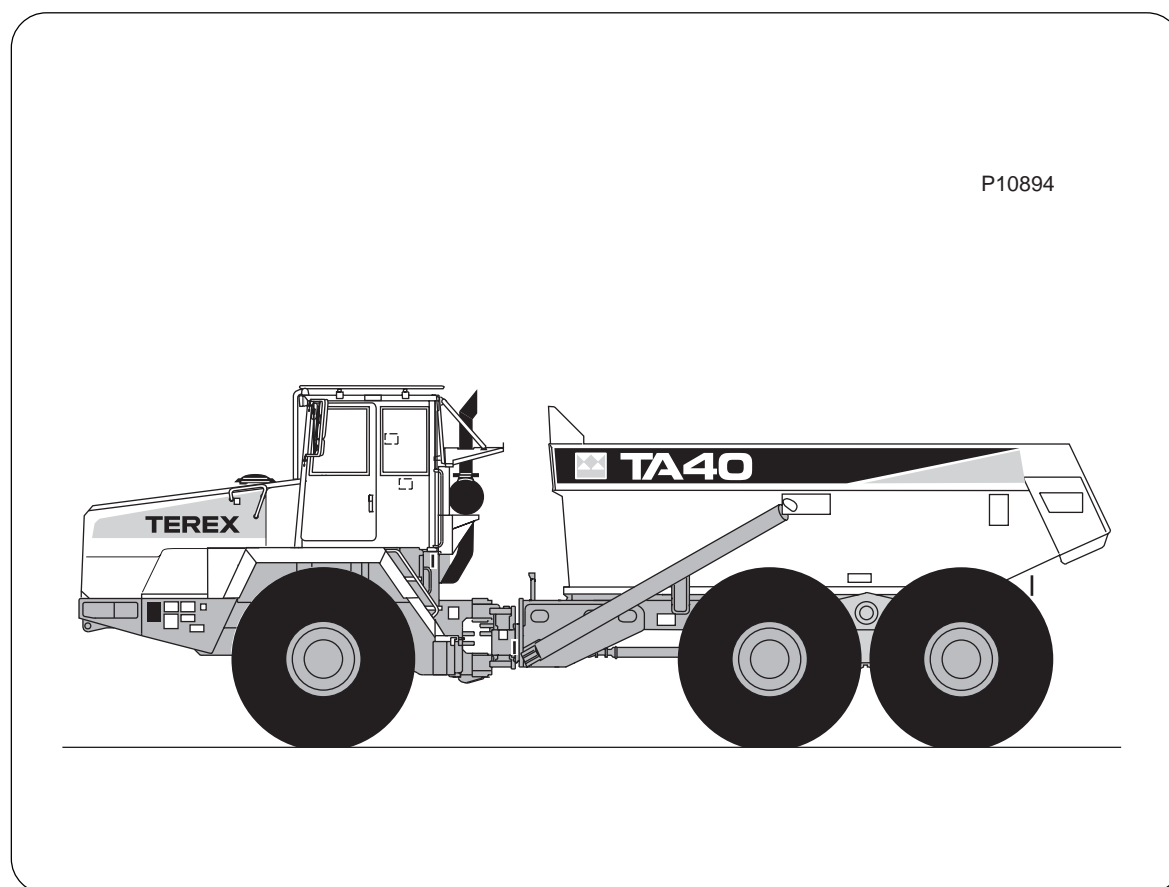
[CLICK HERE FOR  
TRAILER  
TABLE OF CONTENTS](#)

# TEREX

# Parts Book

[CLICK HERE TO RETURN TO  
MAIN LIBRARY INDEX](#)

**Part Number  
15275609**



## TA40 OCDB Articulated Truck

(Detroit Diesel Series 60 Powered)

**From Serial No. A8201001**

Nov 01  
Revised Jan 02

PUBLISHED BY:  
PRODUCT SUPPORT DEPARTMENT

TEREX EQUIPMENT LIMITED  
MOTHERWELL, SCOTLAND

THIS PAGE IS INTENTIONALLY LEFT BLANK



## WARRANTY ON PARTS AND ATTACHMENTS

Terex Equipment Limited warrants that for a period of six months after sale of new Terex replacement parts or attachments by an authorised Terex dealer it will repair, or at its option, replace any defective or malfunctioning part or attachment. This warranty covers only malfunctions resulting from defects in material or workmanship.

This warranty does not cover malfunctions resulting from negligence, alteration, accident or overloading; use for a purpose for which the part or attachment is not designed or approved by Terex; loss of time, inconvenience, loss of use of the vehicle or other consequential damages; or labour for removal or reinstallation of defective or malfunctioning parts or attachments.

Repairs or replacements qualifying under this warranty will be performed by any authorised Terex dealer within a reasonable time following delivery of the malfunctioning part or attachment to the dealer's place of business.

Defective or malfunctioning parts or attachments must be delivered to an authorised Terex dealer's place of business during regular business hours for warranty repairs or replacements. The dealer must be furnished with the purchaser's copy of the sales slip or repair order to validate date of purchase.

\* \* \* \* \*

### SOLE WARRANTY

This is the only express warranty applicable to new Terex parts and attachments sold by Terex dealers and Terex neither assumes nor authorises anyone to assume for it any other obligation or liability in connection with such parts or attachments.

THIS PAGE IS INTENTIONALLY LEFT BLANK

## INSTRUCTIONS FOR USE OF TEREX PARTS BOOK

This Parts Book is divided into Major Sections which cover components corresponding to specific areas of the machine.

Printed at the top left hand corner of each Parts Page is an Index Code which includes three numbers - the first of these relates to a Major Section, the second indicates a Sub-section within a Major Section and the last the model PLI number. Certain Major Sections may not apply to the particular model covered in this Parts Book and, consequently, will be omitted.

An illustrated Index page shows all the Major Component Section numbers included in the book. For example -

**SECTION 100 - CHASSIS**

**SECTION 140 - FRONT AXLE GROUP**

**SECTION 230 - BODY HOIST SYSTEM etc.**

Major Component Sections are listed in the 'Table Of Contents' pages together with Sub-section headings.

For example to locate the serviceable items of a Steering Cylinder -

1. The Table of Contents shows the steering components to be in Major Section 220.
2. The steering cylinder is listed in Major Section 220, Sub-section 0120
3. Select the Parts Page Code that applies to the unit Serial number for which parts are needed and locate the Page with reference number.

**EXAMPLE - 220-0120.**

**SERIAL NUMBERS** - Each Parts Book covers a particular range of unit Serial Numbers.

**It is important that unit Serial Numbers are quoted on all orders for Parts.**

**PARTS LISTS** - Parts Forms usually consist of detailed parts information listed on one page together with a parts illustration on the opposite page. The parts list is printed in the order of the reference numbers shown on the parts illustration. The first column lists Note Letters; the second lists the reference numbers; the third shows quantity required and the fourth gives the parts descriptions. Parts which are part of an assembly have their descriptions indented beneath the assembly description.

**ILLUSTRATIONS** - These show typical assemblies and individual piece parts. They are intended for general reference only and may not always show exact details of parts. Parts are identified on each illustration with an item number. Note the item number of the part required and locate it in the parts list. The part number opposite the item number is the part to order.

---

**INDENTATIONS** - Parts which are indented under another part are Sub-groups of a Major Assembly or Sub-assembly. Parts which are not indented are major assemblies or individual component parts which do not belong to a major assembly.

EXAMPLE - 1 9052564 Pump Assy.  
          2 9058512 . Shaft  
          3 9024169 . Ring  
          4 9058132 . Control Assy.  
          5 9058135 . . Spring  
          6 9072162 Gasket

- If you order Item 1, you will receive Items 1 - 5.
- If you order Item 4, you will receive Items 4 and 5.
- If you order Item 6, you will receive only Item 6.

**NOTES** - Whenever there is an alphabetical symbol to the left of the item number, refer to the corresponding note at the bottom of the form for information regarding ordering or application of the particular part number(s) noted.

**ABBREVIATIONS** - The abbreviations in this book have the following meanings -

Amps .....	Amperes	Hsg .....	Housing	N.I .....	Not Illustrated
As R .....	As Required	I.D .....	Inside Diameter	N.L.A .....	No Longer Available
Assy .....	Assembly	L.H .....	Left Hand	N.S.S .....	Not Sold Separately
Brkt .....	Bracket	L.W .....	Lockwasher	O.D .....	Outside Diameter
Cad-Pltd .....	Cadium Plated	Lg .....	Long	Pr .....	Pair
Comm .....	Commencement of production	Lkg .....	Linkage	P.T.O .....	Power-Take-Off
E.S.N .....	Elastic Stop Nut	Mtg .....	Mounting	R.H .....	Right Hand
Ftgs .....	Fittings	N.C .....	Note Code	Std .....	Standard














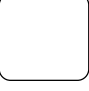




---



# Articulated Truck



## TRACTOR SECTIONS

	<b>CHASSIS</b>	<b>100</b>		<b>COOLING SYSTEM</b>	<b>210</b>
	<b>ENGINE</b>	<b>110</b>		<b>STEERING SYSTEM</b>	<b>220</b>
	<b>TRANSMISSION</b>	<b>120</b>		<b>BODY SYSTEM</b>	<b>230</b>
	<b>DRIVELINE</b>	<b>130</b>		<b>BRAKING SYSTEM</b>	<b>250</b>
	<b>FRONT AXLE</b>	<b>140</b>		<b>CAB</b>	<b>260</b>
	<b>BRAKE PARTS</b>	<b>165</b>		<b>DECALS</b>	<b>290</b>
	<b>SUSPENSION SYSTEM</b>	<b>180</b>			
	<b>ELECTRICAL SYSTEM</b>	<b>190</b>			
	<b>FUEL SYSTEM</b>	<b>200</b>			

**TABLE OF CONTENTS FOR MODEL TA40**

**FROM SERIAL NO. A8201001**

**28/01/02**

**SECT-PAGE-PLI DESCRIPTION**

**SECTION 100 CHASSIS**

100-0010-8211 CHASSIS  
 100-0040-8211 HOOD AND MOUNTING  
 100-0070-8211 FENDERS AND MOUNTING

**SECTION 110 ENGINE**

110-0030-8211 ENGINE AND MOUNTING  
 110-0050-8211 AIR CLEANER  
 110-0060-8211 AIR CLEANER PIPES AND HOSES  
 110-0070-8211 EXHAUST AND MOUNTING

**SECTION 120 TRANSMISSION**

120-0010-8211 TRANSMISSION MOUNTING  
 120-0020-8211 TRANSMISSION BREAKDOWN  
 120-0050-8211 CONTROL VALVE  
 120-0070-8211 SHIFT CONTROL  
 120-0100-8211 FILTER  
 120-0110-8211 OIL LINES-TRANSMISSION  
 120-0220-8211 OIL PUMP  
 120-0390-8211 TORQUE CONVERTER  
 120-0400-8211 LUBRICATION PIPES  
 120-0410-8211 INDUCTIVE TRANSMITTER  
 120-0430-8211 ELECTRIC SHIFT CONTROL VALVE  
 120-0440-8211 GEARSHIFT  
 120-0450-8211 GEARBOX HOUSING  
 120-0460-8211 CLUTCH ASSEMBLY KV+K1  
 120-0470-8211 CLUTCH ASSEMBLY KR+K2  
 120-0480-8211 CLUTCH ASSEMBLY K3+K4  
 120-0490-8211 RETARDER  
 120-0491-8211 RETARDER OIL PIPES  
 120-0500-8211 PTO MAIN HYDRAULIC PUMP  
 120-0510-8211 POWER TAKE-OFF  
 120-0515-8211 EMERGENCY STEERING PUMP  
 120-0520-8211 INPUT-DRIVE ASSEMBLY  
 120-0530-8211 LAYSHAFT GEARING  
 120-0540-8211 DIFFERENTIAL  
 120-0550-8211 AXLE DISCONNECT

**SECTION 130 DRIVELINE**

130-0010-8211 FRONT DRIVELINE

**SECT-PAGE-PLI DESCRIPTION**

**SECTION 140 FRONT AXLE**

140-0010-8211 AXLE COMPLETE-FRONT  
 140-0020-8211 AXLE GROUP-FRONT  
 140-0040-8211 WHEEL, RIM AND TYRE-FRONT  
 140-0060-8211 DIFFERENTIAL-FRONT

**SECTION 165 BRAKE PARTS**

165-0015-8211 BRAKE ASSY-OCDB(ARTICS)

**SECTION 180 SUSPENSION SYSTEM**

180-0020-8211 FRONT SUSPENSION

**SECTION 190 ELECTRICAL SYSTEM**

190-0010-8211 TERMINALS  
 190-0011-8211 CONNECTORS  
**190-0030-8211 CABLES/HARNESSES-CAB R1 01/02**  
**190-0040-8211 CABLES/HARNESSES-CHASS/ENG R1 01/02**  
 190-0070-8211 BATTERY AND CABLES  
 190-0080-8211 BATTERY MOUNTING  
**190-0100-8211 ELECTRICAL LIGHTING SYSTEM R1 01/02**  
 190-0110-8211 ALTERNATOR  
 190-0120-8211 STARTER MOTOR  
**190-0170-8211 FLOODLAMP/SPOTLIGHT/WORK LIGHT R1 01/02**  
**190-0270-8211 SWITCHES AND SENSORS R1 01/02**  
 190-0300-8211 RADIO CASSETTE AND SPEAKERS  
 190-0310-8211 ELECTRICAL HORN

**SECTION 200 FUEL SYSTEM**

**200-0010-8211 FUEL TANK AND MOUNTING R1 01/02**  
 200-0040-8211 FUEL LINES  
 200-0050-8211 ACCELERATOR LINKAGE

**SECTION 210 COOLING SYSTEM**

**210-0010-8211 RADIATOR ASSEMBLY R1 01/02**  
 210-0020-8211 RADIATOR MOUNTING  
**210-0025-8211 RADIATOR FAN MOTOR-HYD LINES R1 01/02**  
 210-0030-8211 RADIATOR PIPING  
 210-0040-8211 RADIATOR HEADER TANK AND HOSES  
 210-0045-8211 LOW TEMPERATURE UNLOADER VALVE  
 210-0050-8211 OIL COOLER-DISC BRAKES



**SECT-PAGE-PLI DESCRIPTION****SECTION 210 COOLING SYSTEM**

**210-0052-8211 OIL COOLING LINES-DISC BRAKES R1 01/02**  
 210-0060-8211 OIL COOLER AND PIPING-TRANS  
 210-0065-8211 OIL COOLER  
 210-0100-8211 OIL COOLER AND LINES-HYDRAULIC

**SECTION 220 STEERING SYSTEM**

220-0010-8211 STEERING LINES  
 220-0050-8211 PUMP-STEERING  
 220-0090-8211 STEERING VALVE  
 220-0100-8211 FLOW AMPLIFIER VALVE  
 220-0120-8211 STEERING CYLINDER  
 220-0140-8211 EMERGENCY STEERING VALVE  
 220-0230-8211 STEERING COLUMN MOUNTING

**SECTION 230 BODY SYSTEM**

230-0020-8211 LINES AND FITTINGS-BODY HOIST  
 230-0021-8211 SERVO CONTROL LINES-BODY  
 230-0040-8211 TANK AND MOUNTING-BODY HOIST  
 230-0060-8211 CONTROL VALVE-BODY HOIST  
 230-0081-8211 JOYSTICK-BODY CONTROL  
 230-0121-8211 PILOT SUPPLY VALVE

**SECTION 250 BRAKING SYSTEM**

**250-0020-8211 BRAKE LINES-HYDRAULIC R1 01/02**  
 250-0025-8211 BRAKE COOLANT TANK ASSEMBLY  
 250-0040-8211 BRAKE PUMP  
 250-0045-8211 MOTOR/TRIPLE PUMP ASSY  
 250-0050-8211 BRAKE MANIFOLD/PAS VALVE  
 250-0060-8211 BRAKE ACCUMULATOR  
 250-0065-8211 TWO SPEED CONTROL VALVE  
 250-0070-8211 TREADLE VALVE  
 250-0075-8211 PRIORITY UNLOADER VALVE  
 250-0090-8211 DIRECTIONAL CONTROL VALVE  
 250-0120-8211 RELIEF VALVE-BRAKES

**SECTION 260 CAB**

**260-0010-8211 CAB ASSEMBLY R1 01/02**  
 260-0015-8211 CAB MOUNTING  
 260-0030-8211 CAB DOOR-LEFT HAND  
**260-0080-8211 SWITCHES AND INSTRUMENTS R1 01/02**

**SECT-PAGE-PLI DESCRIPTION****SECTION 260 CAB**

260-0090-8211 SEAT-DRIVER  
 260-0110-8211 SEAT-PASSENGER  
 260-0130-8211 AIR CONDITIONER/HEATER  
 260-0140-8211 HEATER LINES AND WIRING  
 260-0145-8211 AIR CONDITIONER LINES  
 260-0190-8211 WINDSCREEN WASHER

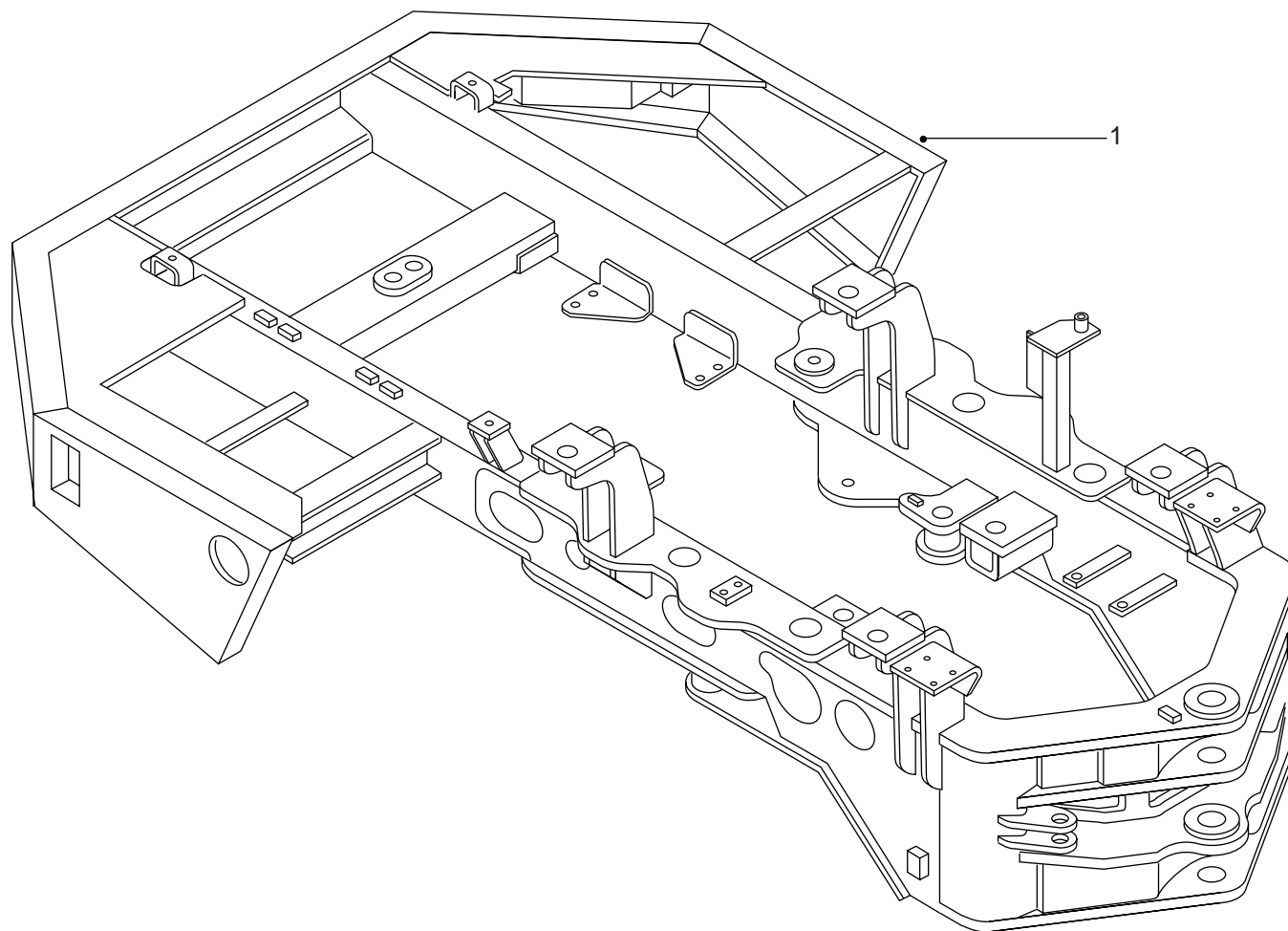
**SECTION 290 DECALS**

290-0010-8211 DECALS-ENGLISH

**100-0010-8211 CHASSIS**  
FROM SERIAL NO. A8201001

DRAWING NO. P10839

P10839



**100-0010-8211 CHASSIS**  
FROM SERIAL NO. A8201001

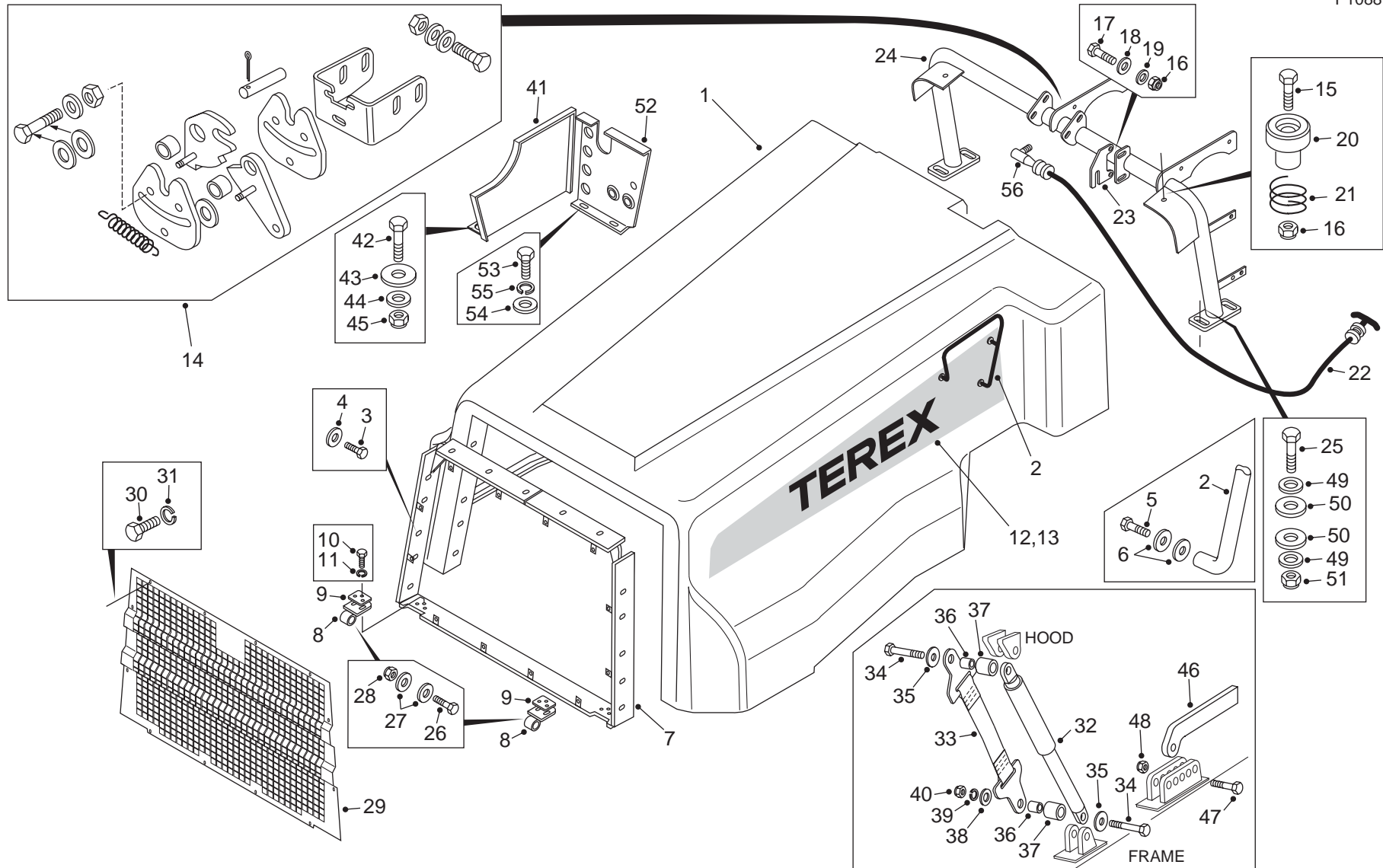
NC	REF	QTY	PART NO.	DESCRIPTION	SER.NO. FROM	SER.NO. TO
----	-----	-----	----------	-------------	-----------------	---------------

001	001		15310725	FRAME ASSY-COMLETE		
-----	-----	--	----------	--------------------	--	--

100-0040-8211 HOOD AND MOUNTING  
FROM SERIAL NO. A8201001

DRAWING NO. P10887

P10887



**100-0040-8211 HOOD AND MOUNTING**  
FROM SERIAL NO. A8201001

NC	REF	QTY	PART NO.	DESCRIPTION	SER.NO. FROM	SER.NO. TO
	001	001	15307426	HOOD ASSY-TA40		
A	002	001	15306138	.HANDLE (LHS)		
	003	015	06351240	.BOLT		
	004	015	01967343	.WASHER		
A	005	003	15309253	.BOLT		
A	006	006	15307237	.WASHER		
	007	001	NSS	.SUBFRAME/HINGE ASSY		
	008	002	15311207	.HINGE ASSY		
	009	002	15309043	.PLATE		
	010	006	06351230	.BOLT		
	011	006	07161230	.LOCKWASHER		
	012	001	15313188	.DECAL - HOOD LH		
	013	001	15313189	.DECAL - HOOD RH		
	014	001	15306805	KIT-HOODCATCH		
	015	002	06351050	BOLT		
	016	002	06471001	LOCKNUT		
	017	002	06351030	BOLT		
	018	002	07151020	WASHER		
	019	004	15244714	WASHER-HARDENED		
	020	002	15307804	STOP-HOOD		
	021	002	09073839	SPRING		
	022	001	15310545	CABLE ASSY-HOOD CATCH		
	023	001	15309000	PLATE-HOOD CABLE ANCHO		
	024	001	15307427	GOALPOST WELDMENT		
	025	004	00179870	BOLT		
	026	002	15246971	BOLT		
	027	004	07151630	WASHER		
	028	002	06471601	LOCKNUT		
	029	001	15312906	GRILLE-HOOD ASSY		
	030	012	00179839	BOLT		
	031	012	00108580	LOCKWASHER		
	032	002	15313444	GAS STRUT		
	033	002	15313445	STRAP-HOOD RETAINING		
	034	004	06351065	BOLT		
	035	004	09270000	WASHER-HARDENED		
	036	004	15312897	TUBE		
	037	004	15312898	TUBE		
	038	002	07151020	WASHER		
	039	002	07161030	LOCKWASHER		
	040	002	06471001	LOCKNUT		

**100-0040-8211 HOOD AND MOUNTING**  
FROM SERIAL NO. A8201001

NC	REF	QTY	PART NO.	DESCRIPTION	SER.NO. FROM	SER.NO. TO
	041	001	15313253	HOOD BLANKING PIECE		
	042	002	06351240	BOLT		
	043	002	09024430	WASHER		
	044	002	09267949	WASHER-HARDENED		
	045	002	06471201	LOCKNUT		
	046	001	15313162	BAR-HOOD SAFETY		
	047	001	00179887	BOLT		
	048	001	00274209	LOCKNUT		
	049	004	00106265	WASHER		
	050	004	15309558	WASHER D SHAPE		
	051	004	00274209	LOCKNUT		
	052	001	15312768	PLATE BULKHEAD		
	053	002	06351020	BOLT		
	054	002	07151020	WASHER		
	055	002	07161030	LOCKWASHER		
	056	001	15256961	BALLJOINT		

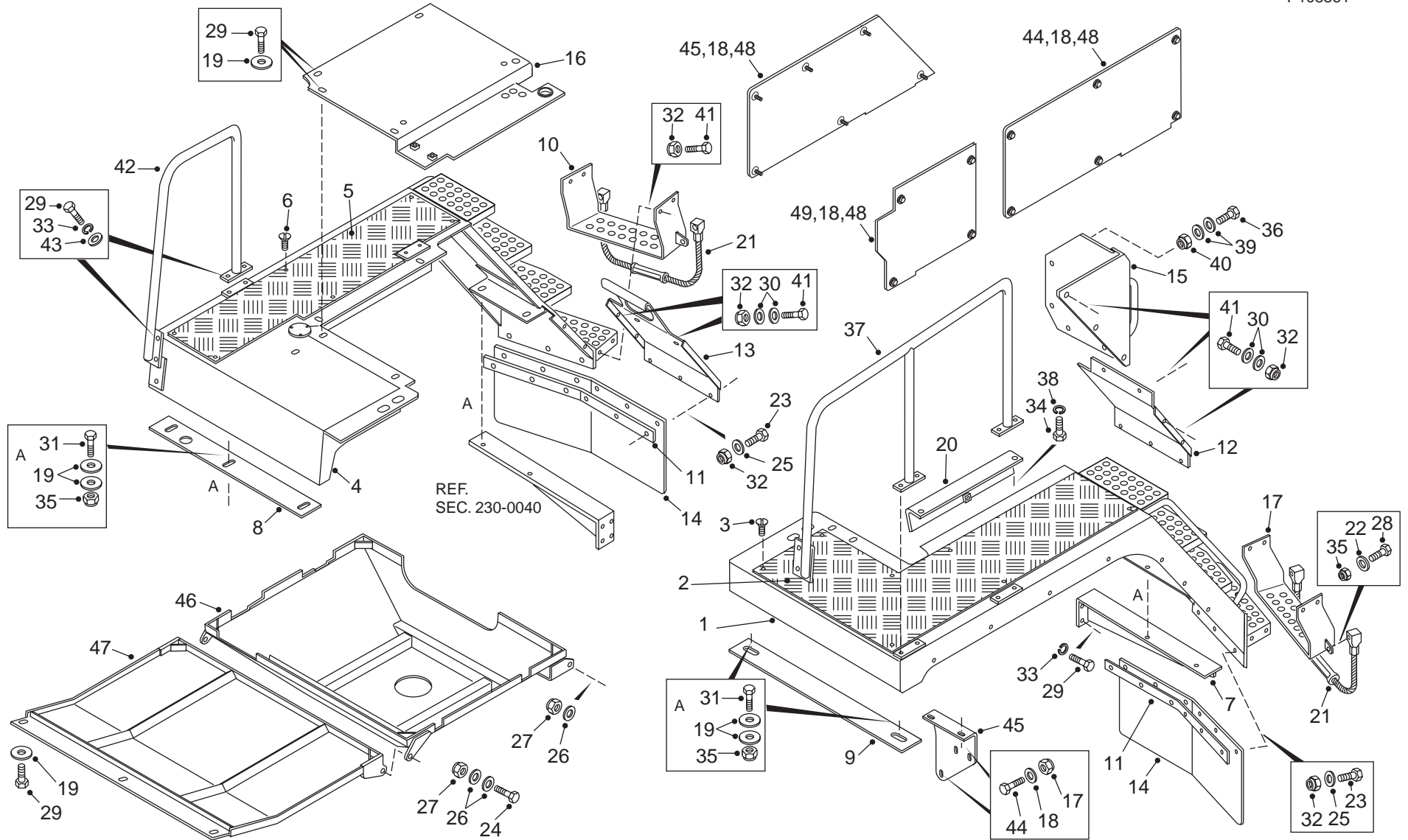
**NOTES:**

A PARTS IN 15275453 HOOD HANDLE KIT

100-0070-8211 FENDERS AND MOUNTING  
FROM SERIAL NO. A8201001

DRAWING NO. P10886

P108861



**100-0070-8211 FENDERS AND MOUNTING**  
FROM SERIAL NO. A8201001

NC	REF	QTY	PART NO.	DESCRIPTION	SER.NO. FROM	SER.NO. TO
001	001		15310358	FENDER ASSY-LHS		
002	001		15275591	.TREAD PLATE		
003	008		15272138	.SCREW-C/SUNK M8X20		
004	001		15310865	FENDER ASSY-RHS		
005	001		15275450	.TREAD PLATE		
006	006		15272138	.SCREW-C/SUNK M8X20		
007	001		15249935	BRACKET-LH FENDER		
008	001		15234415	PAD		
009	001		15310916	PAD-LH FENDER		
010	001		15304587	STEP-RH		
011	001		15235513	EXTENSION-FENDER		
012	001		15235710	MUDGUARD-LH		
013	001		15305642	MUDGUARD-RH		
014	002		15235511	MUDFLAP		
015	001		15245948	PANEL		
016	001		15312811	PLATE ASSY-RH FENDER		
017	001		15304588	STEP-LH		
018	015		06351225	BOLT		
019	022		09267949	WASHER-HARDENED		
020	001		15301479	ANGLE-CAB FLOOR		
021	002		15304359	STEP WIRE		
022	004		09270000	WASHER-HARDENED		
023	012		06350830	BOLT		
024	002		15246954	BOLT		
025	012		07150815	WASHER		
026	010		07151630	WASHER		
027	006		06471601	LOCKNUT		
028	004		15244017	BOLT		
029	021		06351230	BOLT		
030	014		07180820	WASHER		
031	009		06351240	BOLT		
032	023		06470801	NUT		
033	012		07161230	LOCKWASHER		
034	002		06351020	BOLT		
035	029		06471201	LOCKNUT		
036	002		06351035	BOLT		
037	001		15310617	HANDRAIL ASSY-LHS		
038	002		07161030	LOCKWASHER		
039	004		07181020	WASHER		
040	002		06471001	LOCKNUT		

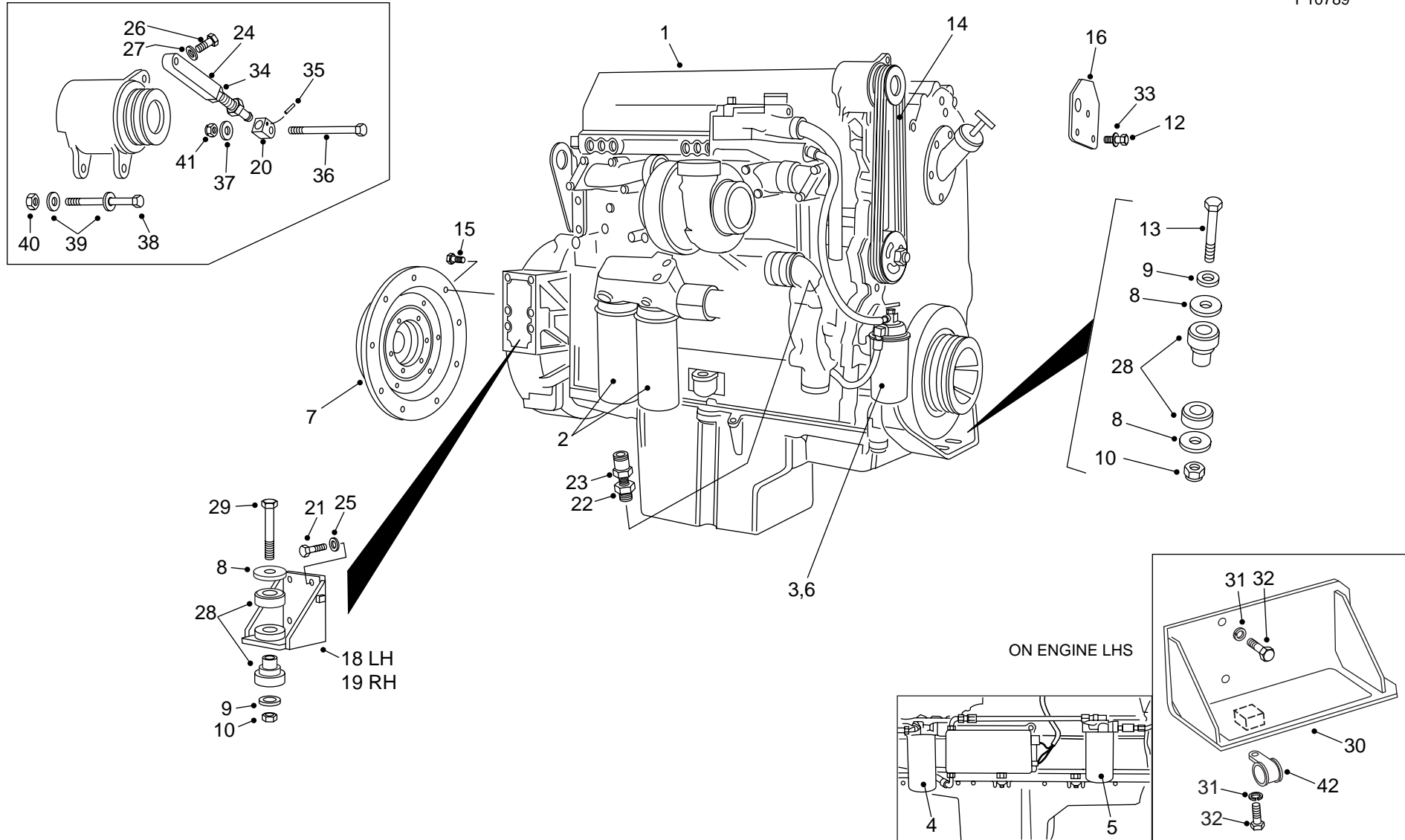
**100-0070-8211 FENDERS AND MOUNTING**  
FROM SERIAL NO. A8201001

NC	REF	QTY	PART NO.	DESCRIPTION	SER.NO. FROM	SER.NO. TO
041	011		06350820	SCREW		
042	001		15312524	HANDRAIL ASSY-RH		
043	012		09267660	WASHER		
A 044	001		15301495	QUILT-FRONT WHEEL LH		
A 045	001		15301497	QUILT-FRONT WHEEL RH		
046	001		15300193	GUARD ASSY-SUMP		
047	001		15235537	PLATE		
048	015		15234758	WASHER		
A 049	001		NSS	QUILT-FRONT WHEEL LH F		
NOTES:						
A	PARTS IN 15312716 KIT-INSULATION QUILTS					

**110-0030-8211 ENGINE AND MOUNTING**  
FROM SERIAL NO. A8201001

DRAWING NO. P10789

P10789





**110-0030-8211 ENGINE AND MOUNTING**  
FROM SERIAL NO. A8201001

NC	REF	QTY	PART NO.	DESCRIPTION	SER.NO. FROM	SER.NO. TO
	001	001	15310393	ENGINE ASSY-SER 60 T2		
	002	002	15275408	.OIL FILTER		
A	003	001	15271147	.FILTER-WATER PRE-CH		
	004	001	15271148	.FILTER-FUEL PRIMARY		
	005	001	15271149	.FILTER-FUEL SECONDARY		
A	006	001	15271150	.FILTER-WATER		
	007	001	15313160	ENGINE COUPLING- 8.5C		
	008	006	15235607	WASHER		
	009	004	15226567	WASHER		
	010	004	06472001	NUT		
	011	001	06441020	BOLT		
	012	001	06351230	BOLT		
	013	002	63520140	BOLT		
	014	002	15252522	V BELT		
	015	008	00179885	BOLT		
	016	001	15246547	PLATE		
	017	001	15255131	SCREW ASSY-ALTERNATO		
	018	001	15247829	ENGINE MTG-REAR LH		
	019	001	15247827	ENGINE MTG-REAR RH		
	020	001	15250582	LINK		
	021	008	00271562	BOLT		
	022	001	00128003	BUSHING		
	023	001	15247130	CONNECTOR		
	024	001	15250581	LINK-ALTERNATOR		
	025	008	15234743	WASHER-HARDENED		
	026	001	00179889	BOLT		
	027	001	00103329	LOCKWASHER		
	028	004	15311433	ISOLATION MOUNT		
	029	002	15301285	BOLT		
	030	001	15250912	STEP-ENGINE LH		
	031	005	07161030	LOCKWASHER		
	032	004	06351025	BOLT		
	033	001	09270000	WASHER-HARDENED		
	034	001	15252584	NUT		
	035	001	00454565	PIN		
	036	001	15250591	BOLT		
	037	002	07151630	WASHER		
	038	001	09428043	BOLT		
	039	002	01967343	WASHER		
	040	001	00274209	LOCKNUT		

**110-0030-8211 ENGINE AND MOUNTING**  
FROM SERIAL NO. A8201001

NC	REF	QTY	PART NO.	DESCRIPTION	SER.NO. FROM	SER.NO. TO
	041	001	06471601	LOCKNUT		
	042	001	09152893	CLIP		

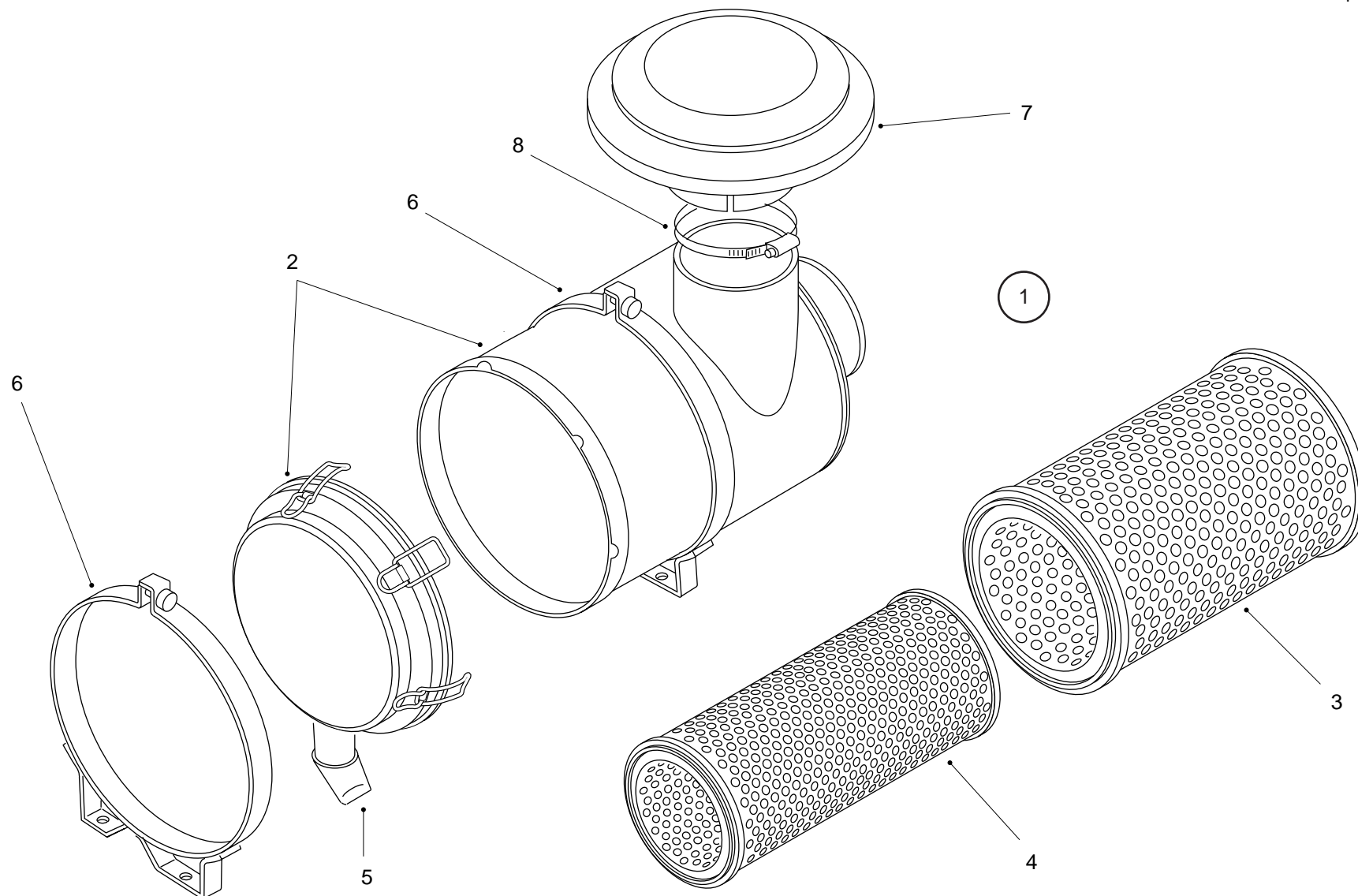
NOTES:

A 15271147 FILTER-WATER PRECHARGED AT INITIAL FILL. AFTER DRAINING USE 15271150 FILTER-WATER FOR OTHER CHANGE INTERVALS.

110-0050-8211 AIR CLEANER  
FROM SERIAL NO. A8201001

DRAWING NO. P10131

P10131



**110-0050-8211 AIR CLEANER**  
FROM SERIAL NO. A8201001

NC	REF	QTY	PART NO.	DESCRIPTION	SER.NO. FROM	SER.NO. TO
001	001		15306691	AIR CLEANER KIT		
002	001		15306692	.AIR CLEANER ASSY		
003	001		15273424	..ELEMENT-MAIN		
004	001		15273425	..ELEMENT-SAFETY		
005	001		15273998	..VALVE-VACUATOR		
006	002		15306839	.BAND-MOUNTING		
007	001		15306840	.CAP-RAIN		
008	001		15308721	..CLAMP		

**110-0060-8211 AIR CLEANER PIPES AND HOSES**  
FROM SERIAL NO. A8201001

DRAWING NO. P10797

P10797

