



Publication Part Number: **15502612**

Published by : Customer Support Department - TEREX Equipment Limited, Motherwell, Scotland

PARTS BOOK

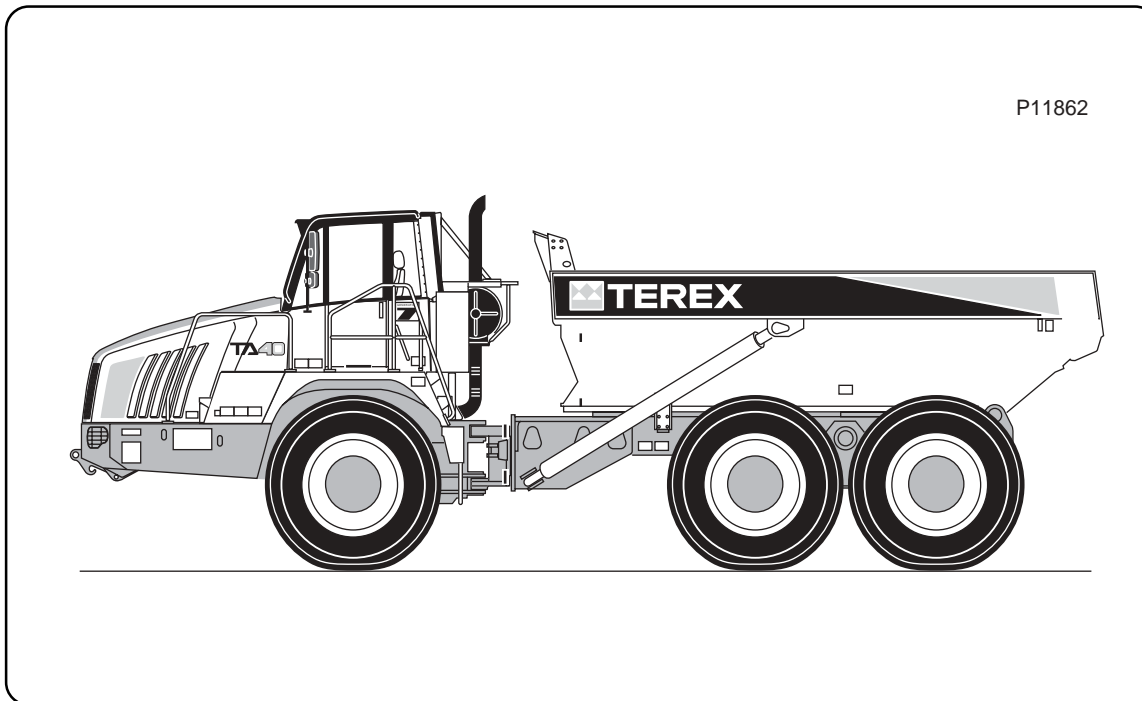
CLICK HERE FOR
TRACTOR
TABLE OF CONTENTS

CLICK HERE FOR
TRACTOR OPTIONAL
TABLE OF CONTENTS

CLICK HERE FOR
TRAILER
TABLE OF CONTENTS

CLICK HERE FOR
TRAILER OPTIONAL
TABLE OF CONTENTS

CLICK HERE
TO RETURN TO MAIN
LIBRARY INDEX



TA40 G7 Articulated Truck

(Detroit Diesel Series 60 Engine with Allison 4500 ORS_R Trans)

Serial Nos. A8651010 and above

April 2006

Revised: **JUNE 2008**

THIS PAGE IS INTENTIONALLY LEFT BLANK



WARRANTY ON PARTS AND ATTACHMENTS

Terex Equipment Limited warrants that for a period of six months or 1000 hours, whichever comes first, after the sale of new Terex replacement parts or attachments by an authorised Terex dealer it will repair, or at its option, replace any defective or malfunctioning part or attachment. This warranty covers only malfunctions resulting from defects in material or workmanship.

This warranty does not cover malfunctions resulting from negligence, alteration, accident or overloading; use for a purpose for which the part or attachment is not designed or approved by Terex; loss of time, inconvenience, loss of use of the vehicle or other consequential damages; or labour for removal or reinstallation of defective or malfunctioning parts or attachments.

Repairs or replacements qualifying under this warranty will be performed by any authorised Terex dealer within a reasonable time following delivery of the malfunctioning part or attachment to the dealer's place of business.

Defective or malfunctioning parts or attachments must be delivered to an authorised Terex dealer's place of business during regular business hours for warranty repairs or replacements. The dealer must be furnished with the purchaser's copy of the sales slip or repair order to validate date of purchase.

* * * * *

SOLE WARRANTY

This is the only express warranty applicable to new Terex parts and attachments sold by Terex dealers and Terex neither assumes nor authorises anyone to assume for it any other obligation or liability in connection with such parts or attachments.

THIS PAGE IS INTENTIONALLY LEFT BLANK

INSTRUCTIONS FOR USE OF TEREX PARTS BOOK

This Parts Book is divided into Major Sections which cover components corresponding to specific areas of the machine.

Printed at the top left hand corner of each Parts Page is an Index Code which includes three numbers - the first of these relates to a Major Section, the second indicates a Sub-section within a Major Section and the last the model PLI number. Certain Major Sections may not apply to the particular model covered in this Parts Book and, consequently, will be omitted.

An illustrated Index page shows all the Major Component Section numbers included in the book. For example -

SECTION 100 - CHASSIS

SECTION 140 - FRONT AXLE GROUP

SECTION 230 - BODY HOIST SYSTEM etc.

Major Component Sections are listed in the 'Table Of Contents' pages together with Sub-section headings.

For example to locate the serviceable items of a Steering Cylinder -

1. The Table of Contents shows the steering components to be in Major Section 220.
2. The steering cylinder is listed in Major Section 220, Sub-section 0120
3. Select the Parts Page Code that applies to the unit Serial number for which parts are needed and locate the Page with reference number.

EXAMPLE - 220-0120.

SERIAL NUMBERS - Each Parts Book covers a particular range of unit Serial Numbers.

It is important that unit Serial Numbers are quoted on all orders for Parts.

PARTS LISTS - Parts Forms usually consist of detailed parts information listed on one page together with a parts illustration on the opposite page. The parts list is printed in the order of the reference numbers shown on the parts illustration. The first column lists Note Letters; the second lists the reference numbers; the third shows quantity required and the fourth gives the parts descriptions. Parts which are part of an assembly have their descriptions indented beneath the assembly description.

ILLUSTRATIONS - These show typical assemblies and individual piece parts. They are intended for general reference only and may not always show exact details of parts. Parts are identified on each illustration with an item number. Note the item number of the part required and locate it in the parts list. The part number opposite the item number is the part to order.



INDENTATIONS - Parts which are indented under another part are Sub-groups of a Major Assembly or Sub-assembly. Parts which are not indented are major assemblies or individual component parts which do not belong to a major assembly.

EXAMPLE - 1 9052564 Pump Assy.
2 9058512 . Shaft
3 9024169 . Ring
4 9058132 . Control Assy.
5 9058135 . . Spring
6 9072162 Gasket

- If you order Item 1, you will receive Items 1 - 5.
- If you order Item 4, you will receive Items 4 and 5.
- If you order Item 6, you will receive only Item 6.

NOTES - Whenever there is an alphabetical symbol to the left of the item number, refer to the corresponding note at the bottom of the form for information regarding ordering or application of the particular part number(s) noted.

ABBREVIATIONS - The abbreviations in this book have the following meanings -











Amps	Amperes	Hsg	Housing	N.I	Not Illustrated
As R	As Required	I.D	Inside Diameter	N.L.A	No Longer Available
Assy	Assembly	L.H	Left Hand	N.S.S	Not Sold Separately
Brkt	Bracket	L.W	Lockwasher	O.D	Outside Diameter
Cad-Pltd	Cadium Plated	Lg	Long	Pr	Pair
Comm	Commencement of production	Lkg	Linkage	P.T.O	Power-Take-Off
E.S.N	Elastic Stop Nut	Mtg	Mounting	R.H	Right Hand
Ftgs	Fittings	N.C	Note Code	Std	Standard



Articulated Truck



TRACTOR SECTIONS

	CHASSIS	100
	ENGINE	110
	TRANSMISSION	120
	TRANSMISSION DROPBOX	125
	DRIVELINE	130
	FRONT AXLE	140
	BRAKE PARTS	165
	SUSPENSION SYSTEM	180
	ELECTRICAL SYSTEM	190
	FUEL SYSTEM	200

	COOLING SYSTEM	210
	MAIN HYDRAULIC VALVE	215
	STEERING SYSTEM	220
	BODY HOIST SYSTEM	230
	BRAKING SYSTEM	250
	CAB	260
	DECALS	290
	MISCELLANEOUS	300
		
		

TABLE OF CONTENTS FOR MODEL TA40 G7 TRACTOR

FROM SERIAL NO A8651010

REVISED 06/08

SECT-PAGE-PLI	DESCRIPTION	SERIAL NO. EFFECTIVITY	REVISION AND DATE
<u>SECTION 100</u>	<u>CHASSIS</u>		
100-0010-8661	CHASSIS		R1 11/07
100-0030-8661	SOUND INSULATION		R1 10/06
100-0040-8661	HOOD AND MOUNTING		R3 02/07
100-0070-8661	FENDERS AND MOUNTING	A8651010 TO A8651015	
100-0070-8661	FENDERS AND MOUNTING	A8651016	R2 10/07
100-0085-8661	PIVOT & ACCUMULATOR GUARD		
100-0135-8661	ROCK AND SUMP GUARDS		
<u>SECTION 110</u>	<u>ENGINE</u>		
110-0020-8661	ENGINE ORDERING INSTRUCTIONS		
110-0030-8661	ENGINE AND MOUNTING		R2 06/06
110-0050-8661	AIR CLEANER ASSEMBLY		
110-0060-8661	AIR CLEANER MOUNTING PIPES AND HOSES		R1 10/06
110-0070-8661	EXHAUST AND MOUNTING		R7 06/08
<u>SECTION 120</u>	<u>TRANSMISSION</u>		
120-0010-8661	TRANSMISSION MOUNTING		R2 02/08
120-0020-8661	TRANSMISSION BREAKDOWN		
120-0040-8661	P1 PLANETARY GROUP		
120-0045-8661	P2 PLANETARY GROUP		
120-0046-8661	P3 PLANETARY & REAR COVER/RETARDER		
120-0050-8661	CONTROL VALVE		
120-0070-8661	SHIFT CONTROL		R2 10/06
120-0090-8661	POWER TAKE-OFF MAIN PUMP		R1 10/06
120-0100-8661	TRANS OIL FILTERS		
120-0125-8661	OIL COOLER GROUP		
120-0135-8661	FRONT SUPPORT & OIL PUMP		
120-0200-8661	FRONT COVER & CONVERTER GROUP		
120-0210-8661	CONVERTER HOUSING GROUP		
120-0215-8661	FLEXPLATE AND ADAPTOR		
120-0225-8661	ROTATING CLUTCH		
120-0235-8661	MAIN SHAFT		
120-0255-8661	RETARDER CONTROLS		
120-0290-8661	MAIN HOUSING GROUP		

TABLE OF CONTENTS FOR MODEL TA40 G7 TRACTOR

FROM SERIAL NO A8651010

REVISED 06/08

SECT-PAGE-PLI	DESCRIPTION	SERIAL NO. EFFECTIVITY	REVISION AND DATE
<u>SECTION 125</u>	<u>TRANSMISSION DROPBOX</u>		
125-0010-8661	DROPBOX MOUNTING	A8651010 TO A8651158	R2 10/06
125-0010-8661	DROPBOX MOUNTING	A8651159	06/07
125-0020-8661	DROPBOX ASSEMBLY	A8651010 TO A8651158	R3 06/07
125-0020-8661	DROPBOX ASSEMBLY	A8651159	06/07
125-0025-8661	CONTROL VALVE-DROPBOX	A8651010 TO A8651158	
125-0025-8661	CONTROL VALVE-DROPBOX	A8651159	R1 11/07
125-0026-8661	PRESSURE RELIEF VALVE-DROPBOX		11/07
125-0030-8661	EMERGENCY STEERING PUMP ASSEMBLY		R1 05/07
125-0035-8661	PUMP ASSEMBLY-DROPBOX		
125-0040-8661	DIFFERENTIAL-LOCK LINES & FTGS		R1 10/07
125-0045-8661	<i>FILTER ASSEMBLY-DROPBOX</i>	<i>A8651010 TO A8651296</i>	<i>R2 06/08</i>
125-0045-8661	<i>FILTER ASSEMBLY-DROPBOX</i>	<i>A8651297</i>	<i>06/08</i>
125-0050-8661	SUCTION FILTER ASSY-DROPBOX		06/07
<u>SECTION 130</u>	<u>DRIVELINE</u>		
130-0010-8661	FRONT DRIVELINE		
<u>SECTION 140</u>	<u>FRONT AXLE</u>		
140-0010-8661	AXLE COMPLETE-FRONT		
140-0020-8661	AXLE GROUP-FRONT	A8651010 TO A8651016	
140-0020-8661	AXLE GROUP-FRONT	A8651017	11/06
140-0030-8661	PLANETARY GEARING-FRONT	A8651010 TO A8651016	
140-0030-8661	PLANETARY GEARING-FRONT	A8651017	11/06
140-0040-8661	WHEEL, RIM AND TYRE-FRONT	A8651010 TO A8651021	
140-0040-8661	WHEEL, RIM AND TYRE-FRONT	A8651022	
140-0060-8661	DIFFERENTIAL-FRONT		R1 11/06
<u>SECTION 165</u>	<u>BRAKE PARTS</u>		
165-0015-8661	BRAKE ASSEMBLY-OCDB(ARTICS)	A8651010 TO A8651016	
165-0015-8661	<i>BRAKE ASSEMBLY-OCDB(ARTICS)</i>	<i>A8651017</i>	<i>R1 06/08</i>
<u>SECTION 180</u>	<u>SUSPENSION SYSTEM</u>		
180-0020-8661	FRONT SUSPENSION		R3 10/07

TABLE OF CONTENTS FOR MODEL TA40 G7 TRACTOR

FROM SERIAL NO A8651010

REVISED 06/08

SECT-PAGE-PLI	DESCRIPTION	SERIAL NO. EFFECTIVITY	REVISION AND DATE
<u>SECTION 190</u>	<u>ELECTRICAL SYSTEM</u>		
190-0010-8661	TERMINALS		
190-0011-8661	CONNECTORS		
190-0030-8661	CABLES/HARNESSES-CAB	A8651010 TO A8651200	R2 05/07
190-0030-8661	CABLES/HARNESSES-CAB	A8651201 TO A865 TBA	06/07
190-0030-8661	CABLES/HARNESSES-CAB	A865 TBA	06/08
190-0040-8661	CABLES/HARNESSES-CHASS/ENG	A8651010 TO A8651200	
190-0040-8661	CABLES/HARNESSES-CHASS/ENG	A8651201	R1 11/07
190-0070-8661	BATTERY AND CABLES		R1 06/08
190-0080-8661	BATTERY MOUNTING		R2 10/06
190-0085-8661	ECU-HYD.SYSTEM MONITORING		R4 10/07
190-0100-8661	ELECTRICAL LIGHTING SYSTEM	A8651010 TO A8651015	
190-0100-8661	ELECTRICAL LIGHTING SYSTEM	A8651016	R1 10/06
190-0110-8661	ALTERNATOR AND MOUNTING		
190-0120-8661	STARTER		
190-0270-8661	SWITCHES AND SENSORS		R3 06/07
190-0300-8661	RADIO CASSETTE AND SPEAKERS		
190-0310-8661	ELECTRICAL HORN		R2 10/06
<u>SECTION 200</u>	<u>FUEL SYSTEM</u>		
200-0010-8661	FUEL TANK AND MOUNTING	A8651010 TO A865 TBA	R3 05/07
200-0010-8661	FUEL TANK AND MOUNTING	A865 TBA	10/07
200-0040-8661	FUEL LINES	A8651010 TO A8651260	R2 10/06
200-0040-8661	FUEL LINES	A8651261	01/08
200-0050-8661	ACCELERATOR CONTROLS		R1 06/08
<u>SECTION 210</u>	<u>COOLING SYSTEM</u>		
210-0015-8661	COMBINATION COOLER RH		
210-0016-8661	COMBINATION COOLER LH		
210-0020-8661	RADIATOR MOUNTING		R3 05/07
210-0025-8661	RADIATOR FAN MOTOR-HYD LINES		R8 06/08
210-0030-8661	RADIATOR PIPING		R2 10/06
210-0035-8661	CHARGE AIR COOLER & PIPING		R3 10/07
210-0040-8661	RADIATOR HEADER TANK & HOSES		R2 10/07
210-0044-8661	FAN DISCONNECT VALVE		
210-0045-8661	LOW TEMP UNLOADER VALVE		
210-0052-8661	OIL COOLING LINES-DISC BRAKES		R3 02/08
210-0062-8661	TRANS OIL COOLER LINES	A8651010 TO A8651290	R2 02/07
210-0062-8661	TRANS OIL COOLER LINES	A8651291	R1 02/08

TABLE OF CONTENTS FOR MODEL TA40 G7 TRACTOR

FROM SERIAL NO A8651010

REVISED 06/08

SECT-PAGE-PLI	DESCRIPTION	SERIAL NO. EFFECTIVITY	REVISION AND DATE
<u>SECTION 210</u>			
<u>COOLING SYSTEM-CONTINUED</u>			
<i>210-0063-8661</i>	<i>DROPBOX OIL COOLING & LUBE LINES</i>		<i>R6 06/08</i>
210-0100-8661	OIL COOLER AND LINES-HYDRAULIC	A8651010 TO A8651260	R2 08/07
210-0100-8661	OIL COOLER AND LINES-HYDRAULIC	A8651261	01/08
<u>SECTION 215</u>			
<u>MAIN HYDRAULIC VALVE</u>			
215-0050-8661	MAIN HYDRAULIC VALVE ASSY		R2 11/07
<u>SECTION 220</u>			
<u>STEERING SYSTEM</u>			
<u>STEERING LINES</u>			
<i>220-0010-8661</i>	<i>STEERING VALVE</i>	<i>A8651010 TO A8651023</i>	<i>R4 06/08</i>
220-0090-8661	STEERING VALVE	A8651024	R1 10/06
220-0090-8661	STEERING VALVE	A8651024	R1 10/06
220-0120-8661	STEERING CYLINDER	A8651010 TO A8651015	
220-0120-8661	STEERING CYLINDER	A8651016	
220-0140-8661	EMERGENCY STEERING VALVE		R1 11/06
220-0230-8661	STEERING COLUMN MOUNTING	A8651010 TO A8651015	
220-0230-8661	STEERING COLUMN MOUNTING	A8651016	
<u>SECTION 230</u>			
<u>BODY HOIST SYSTEM</u>			
230-0020-8661	LINES AND FITTINGS-BODY HOIST		R1 06/07
230-0050-8661	MAIN HYDRAULIC PUMP ASSEMBLY	A8651010 TO A8651285	R1 02/08
<i>230-0050-8661</i>	<i>MAIN HYDRAULIC PUMP ASSEMBLY</i>	<i>A8651286</i>	<i>06/08</i>
230-0055-8661	PORTING BLOCK-MAIN PUMP		R1 05/07
230-0081-8661	JOYSTICK-BODY CONTROL		
230-0135-8661	LOAD SENSE CONTROL VALVE		10/07
<u>SECTION 250</u>			
<u>BRAKING SYSTEM</u>			
<u>BRAKE LINES-HYDRAULIC</u>			
<i>250-0020-8661</i>	<i>BRAKE LINES-HYDRAULIC</i>		<i>R5 06/08</i>
250-0025-8661	BRAKE COOLANT/HYDRAULIC TANK	A8651010 TO A8651239	R4 10/07
<i>250-0025-8661</i>	<i>BRAKE COOLANT/HYDRAULIC TANK</i>	<i>A8651240</i>	<i>R2 06/08</i>
<i>250-0026-8661</i>	<i>HYDRAULIC TANK PRESSURISATION</i>		<i>R2 06/08</i>
250-0045-8661	MOTOR/TRIPLE PUMP ASSEMBLY		R1 06/07
250-0060-8661	BRAKE ACCUMULATOR	A8651010 TO A8651018	
250-0060-8661	BRAKE ACCUMULATOR	A8651019	
250-0070-8661	TREADLE VALVE (MICO)	A8651010 TO A8651237	R2 08/07
250-0070-8661	TREADLE VALVE (MICO)	A8651238	R1 01/08
250-0240-8661	FILTER ASSY-OCDB		R1 10/06

TABLE OF CONTENTS FOR MODEL TA40 G7 TRACTOR

FROM SERIAL NO A8651010

REVISED 06/08

SECT-PAGE-PLI	DESCRIPTION	SERIAL NO. EFFECTIVITY	REVISION AND DATE
<u>SECTION 260</u>			
	<u>CAB</u>		
260-0010-8661	CAB ASSEMBLY		R1 01/08
260-0015-8661	CAB MOUNTING		R3 08/07
260-0018-8661	CAB TILT MECHANISM		
260-0030-8661	CAB DOOR-LEFT HAND		
260-0080-8661	SWITCHES AND INSTRUMENTS	A8651010 TO A865 TBA	R4 06/07
260-0080-8661	SWITCHES AND INSTRUMENTS	A865 TBA	R2 06/08
260-0090-8661	SEAT-DRIVER	A8651010 TO A8651015	
260-0090-8661	SEAT-DRIVER	A8651016	
260-0110-8661	SEAT-INSTRUCTOR	A8651010 TO A8651015	
260-0110-8661	SEAT-INSTRUCTOR	A8651016	R1 06/07
260-0130-8661	AIR CONDITIONER/HEATER		
260-0140-8661	HEATER LINES AND WIRING		R1 11/07
260-0145-8661	AIR CONDITIONER LINES		R4 05/07
260-0190-8661	WINDSCREEN WASHER		
<u>SECTION 290</u>			
	<u>DECALS</u>		
290-0010-8661	DECALS-ENGLISH	A8651010 TO A8651086	R1 10/06
290-0010-8661	DECALS-ENGLISH (ISO)	A8651087	R3 02/08
290-0011-8661	DECALS-ENGLISH (ANSI)	A8651087	R3 02/08
290-0100-8661	WALKWAY SURFACES (ANTI-SLIP)		06/07
<u>SECTION 300</u>			
	<u>MISCELLANEOUS</u>		
300-0040-8661	MULTI-TUBE CLAMPS AND HARDWARE		
300-0045-8661	POLYPROPELENE CLAMPS		
300-0200-8661	UNIT FILTERS & ELEMENT KITS		06/08

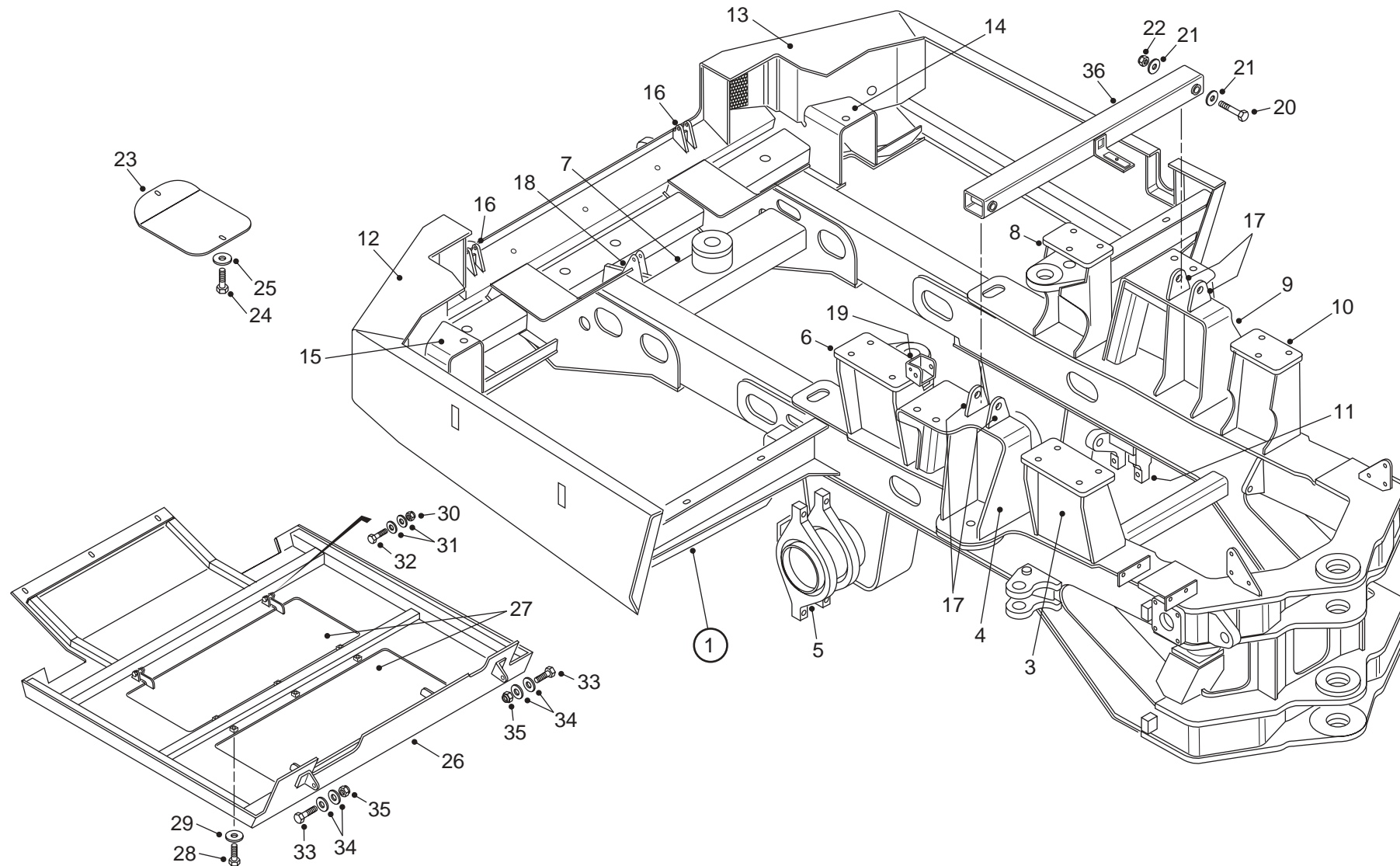
THIS PAGE IS INTENTIONALLY LEFT BLANK

R1 11/07 (ECN 109096)

100-0010-8661 CHASSIS
FROM SERIAL NO. A8651010

DRAWING NO. P11828

P11828



100-0010-8661 CHASSIS
FROM SERIAL NO. A8651010

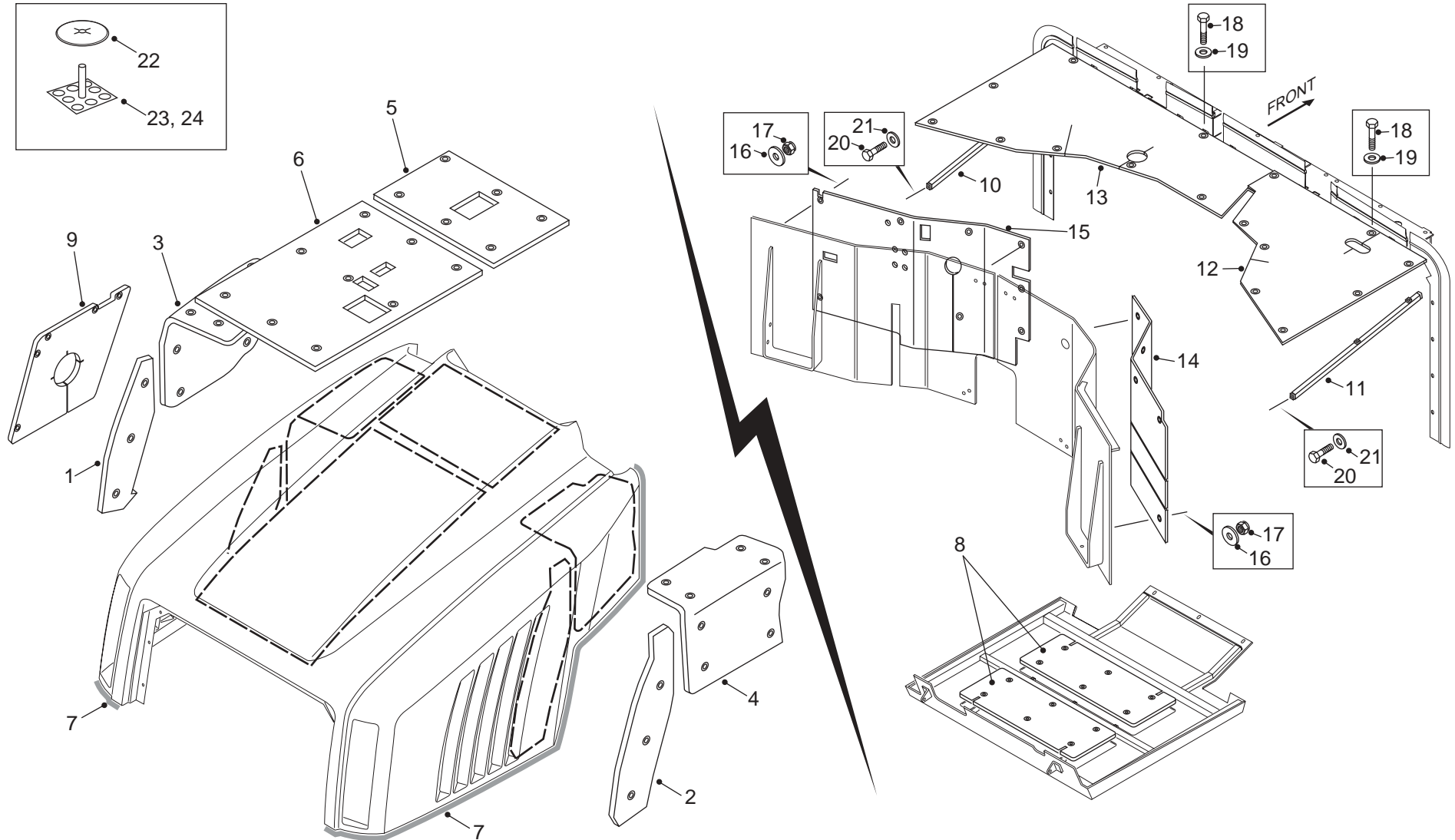
NC	REF	QTY	PART NO.	DESCRIPTION	SER.NO. FROM	SER.NO. TO
001	001		15323646	FRAME ASSY-TRACTOR		
002	001		15319635	.FRAME-FRONT SUB ASSY		
003	001		15319764	.CAB MOUNT ASSY		
004	001		15319726	.SUSPENSION MOUNT-LH		
005	001		15320693	.SUSPENSION FRAME		
006	001		15319763	.CAB MOUNT ASSY		
007	001		15319684	.CROSSMEMBER		
008	001		15319098	.CAB MOUNT ASSY		
009	001		15319727	.SUSPENSION MOUNT-RH		
010	001		15319099	.CAB MOUNT ASSY		
011	001		15319712	.BRACKET ASSY(PANHARD)		
012	001		15322887	.HEADLIGHT PLATE ASSY-LH		
013	001		15322888	.HEADLIGHT PLATE ASSY-RH		
014	001		15322718	.PLATE-TANK SUPPORT-RH		
015	001		15322717	.PLATE-TANK SUPPORT-LH		
016	002		15322886	.HOOD HINGE ASSY		
017	004		15319780	.PLATE-CROSSMEMBER		
018	001		15321276	.HOOD PROP FRAME ASSY		
019	001		15323495	.BRACKET-CAB PROP		
020	002		15330267	BOLT-M24		
021	004		15234742	WASHER		
022	002		06642401	LOCKNUT		
023	001		15322527	PANEL-ACCESS COVER		
024	002		06351220	BOLT		
025	002		07161230	LOCKWASHER		
026	001		15330134	SUMP GUARD ASSY		
027	002		15324298	.INSPECTION COVER		
028	006		06351230	.BOLT		
029	006		09217321	.WASHER		
030	004		06351035	.BOLT		
031	008		07151020	.WASHER		
032	004		06471001	.LOCKNUT		
033	002		06351655	BOLT		
034	004		07151630	WASHER		
035	002		06471601	LOCKNUT		
036	001		15323047	CROSSMEMBER ASSY		

R1 10/06 (ECN 108200)

100-0030-8661 SOUND INSULATION
FROM SERIAL NO. A8651010

DRAWING NO. P11922

P11922



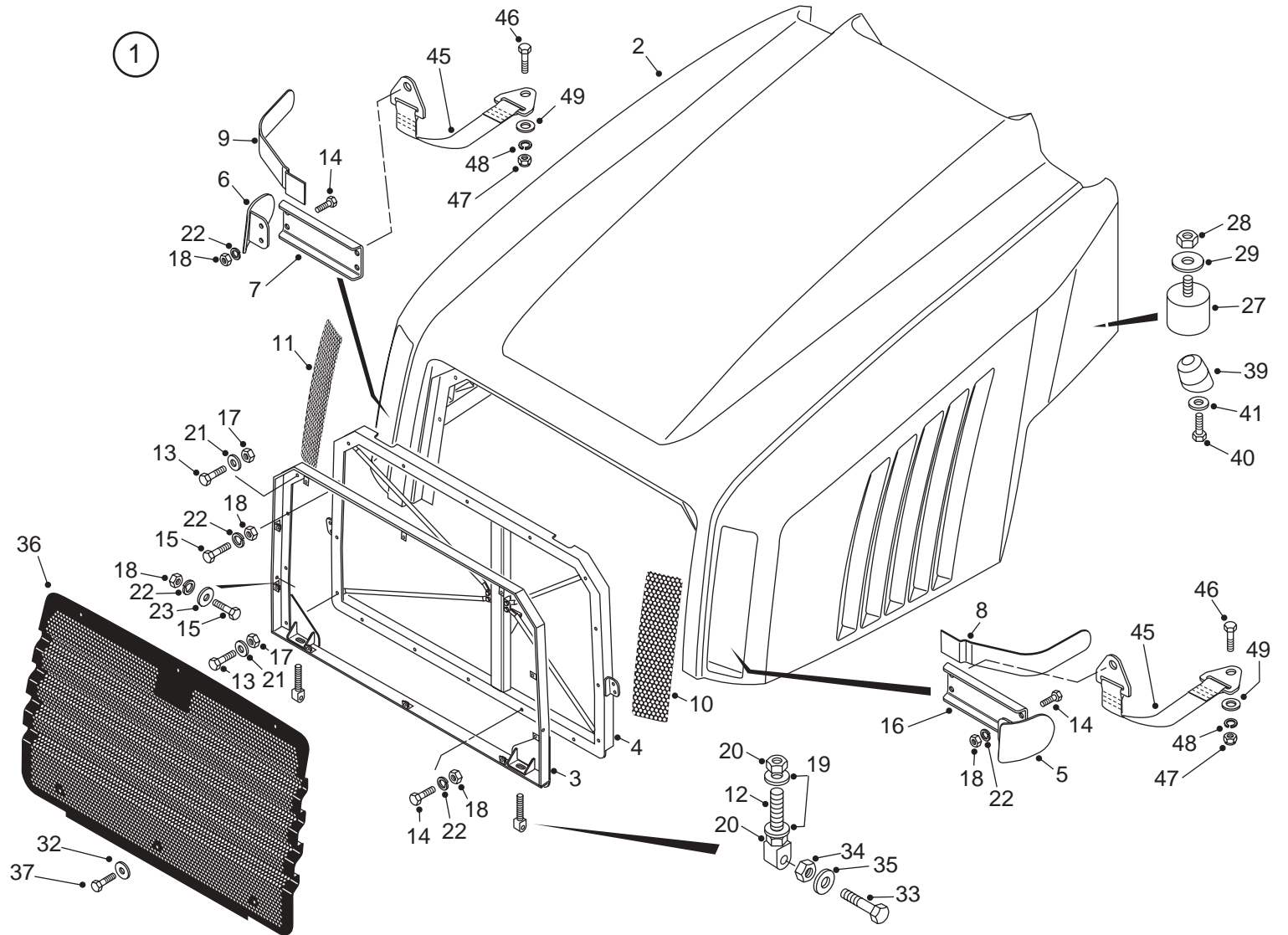
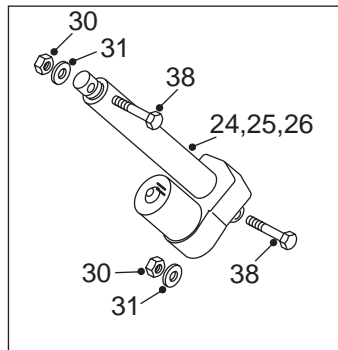
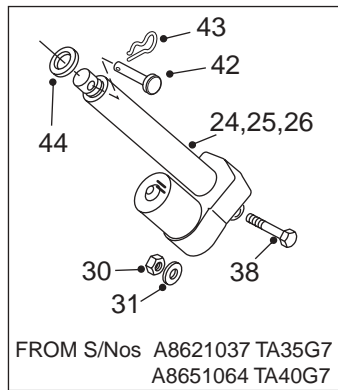
100-0030-8661 SOUND INSULATION
 FROM SERIAL NO. A8651010

NC	REF	QTY	PART NO.	DESCRIPTION	SER.NO. FROM	SER.NO. TO
001	001		15333049	QUILT-HOOD RIGHT/MID		
002	001		15333051	QUILT-HOOD LEFT/MID		
003	001		15333055	QUILT-HOOD RIGHT/MID		
004	001		15333057	QUILT-HOOD LEFT/REAR		
005	001		15333059	QUILT-HOOD TOP/REAR		
006	001		15333060	QUILT-HOOD TOP/FRONT		
007	ASR		15319946	LIP SEAL		
008	002		15333041	QUILT-SUMP GUARD		
009	001		15333063	QUILT-AIR INTAKE		
010	001		15333020	TIE BAR ASSY		
011	001		15333022	TIE BAR ASSY		
012	001		15333028	QUILT-ENGINE/RADIATOR	A8651010	A8651025
012	001		15334216	QUILT-ENGINE/RADIATOR	A8651026	
013	001		15333029	QUILT-ENGINE/RADIATOR	A8651010	A8651025
013	001		15334213	QUILT-ENGINE/RADIATOR	A8651026	
014	001		15333032	QUILT-ENGINE/RADIATOR		
015	001		15333037	QUILT-ENGINE/RADIATOR		
016	015		15316089	WASHER		
017	015		06470601	LOCKNUT		
018	013		06351030	BOLT		
019	013		00106264	WASHER		
020	004		06351025	BOLT		
021	004		07151020	WASHER		
022	ASR		15501136	CAP		
023	ASR		15503209	STUD-LONG 55MM		
024	ASR		15503210	STUD-SHORT 35MM		

100-0040-8661 HOOD AND MOUNTING
FROM SERIAL NO. A8651010

DRAWING NO. P11882

P11882



100-0040-8661 HOOD AND MOUNTING
FROM SERIAL NO. A8651010

100-0040-8661 HOOD AND MOUNTING
FROM SERIAL NO. A8651010

NC	REF	QTY	PART NO.	DESCRIPTION	SER.NO. FROM	SER.NO. TO	NC	REF	QTY	PART NO.	DESCRIPTION	SER.NO. FROM	SER.NO. TO
001	001		15321271	HOOD ASSY			040	002		06351220	BOLT		
002	001		15321272	.HOOD-BASIC			041	002		09267949	WASHER-HARDENED		
003	001		15321273	.REINFORCEMENT ASSY-FT			042	001		15335434	CLEVIS PIN	A8651064	
004	001		15321274	.REINFORCEMENT ASSY-REAR			043	001		15335435	R-CLIP	A8651064	
005	001		15321296	.BRACKET ASSY-LHS			044	ASR		15335446	SPACER 5MM	A8651064	
006	001		15321297	.BRACKET ASSY-RHS			044	ASR		15335445	SPACER 15MM	A8651064	
007	001		15321298	.PLATE-JOINING-RHS			044	ASR		15335310	SPACER 33MM	A8651064	
008	001		15321714	.PLATE BENT-LHS			045	002		15335906	STRAP-HOOD RETAINING	A8651124	
009	001		15321715	.PLATE BENT-RHS			046	002		06351025	BOLT	A8651124	
010	001		15321940	.GRILLE FRONT-LHS			047	002		06431001	NUT	A8651124	
011	001		15321941	.GRILLE FRONT-RHS			048	002		07161030	LOCKWASHER	A8651124	
012	002		15313179	.ROD-ADJUSTMENT			049	002		07151020	WASHER	A8651124	
013	004		06350830	.BOLT									
014	013		06351025	.BOLT									
015	009		06351030	.BOLT									
016	001		15332661	.PLATE JOINING-LHS									
017	004		06430801	.NUT									
018	022		06431001	.NUT									
019	004		09250715	.WASHER-HARDENED									
020	004		06432001	.NUT									
021	008		00103340	.WASHER									
022	022		07161030	.LOCKWASHER									
023	002		15244714	.WASHER-HARDENED									
024	001		15321275	ACTUATOR ASSY									
025	001		15502078	.KIT-MOTOR REPLACEMENT									
026	001		15502079	.KIT-SEALING									
027	002		15322231	CUP-RUBBER									
028	002		06431201	NUT									
029	002		09267949	WASHER-HARDENED									
030	002		06431201	NUT									
031	002		07151220	WASHER									
032	010		00106263	WASHER									
033	002		06351675	BOLT									
034	002		15252584	NUT									
035	002		07151630	WASHER									
036	001		15321282	GRILLE									
037	010		06351030	BOLT									
038	002		06351260	BOLT	A8651010	A8651063							
039	002		15322232	CONE	A8651010	A8651038							
039	002		15332584	CONE	A8651039								

100-0070-8661 FENDERS AND MOUNTING
FROM SERIAL NO. A8651010 TO A8651015

DRAWING NO. P11831

P11831

