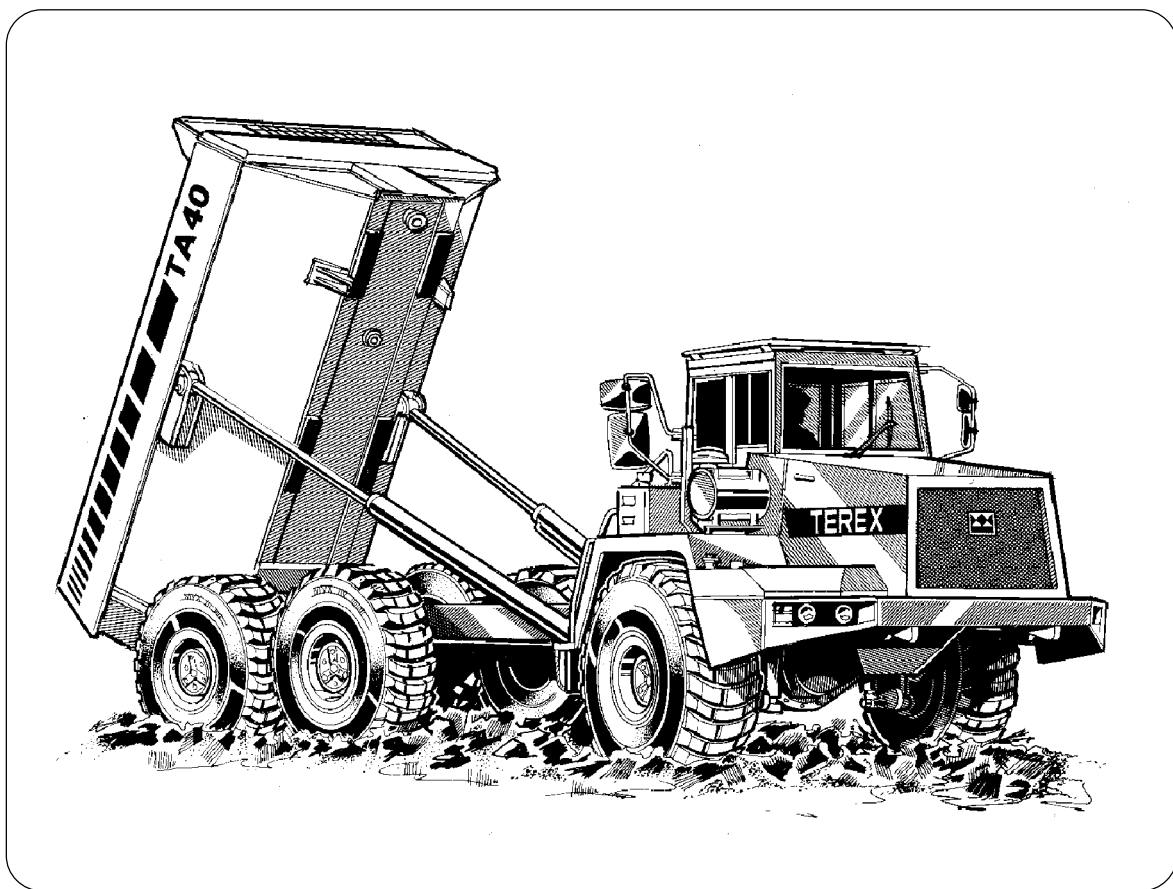


[CLICK HERE FOR TRACTOR TABLE OF CONTENTS](#)

[CLICK HERE FOR TRACTOR OPTIONAL TABLE OF CONTENTS](#)

[CLICK HERE FOR TRAILER TABLE OF CONTENTS](#)

[CLICK HERE FOR TRAILER OPTIONAL TABLE OF CONTENTS](#)



TEREX

Parts Book

[CLICK HERE TO RETURN TO MAIN LIBRARY INDEX](#)

Part Number
15272777

TA40 Articulated Truck

(Detroit Diesel Series 60 Powered)

From Serial No. A7771001

Nov 98
Revised Jan 02

PUBLISHED BY:
PRODUCT SUPPORT DEPARTMENT

TEREX EQUIPMENT LIMITED
MOTHERWELL, SCOTLAND

THIS PAGE IS INTENTIONALLY LEFT BLANK



WARRANTY ON PARTS AND ATTACHMENTS

Terex Equipment Limited warrants that for a period of six months after sale of new Terex replacement parts or attachments by an authorised Terex dealer it will repair, or at its option, replace any defective or malfunctioning part or attachment. This warranty covers only malfunctions resulting from defects in material or workmanship.

This warranty does not cover malfunctions resulting from negligence, alteration, accident or overloading; use for a purpose for which the part or attachment is not designed or approved by Terex; loss of time, inconvenience, loss of use of the vehicle or other consequential damages; or labour for removal or reinstallation of defective or malfunctioning parts or attachments.

Repairs or replacements qualifying under this warranty will be performed by any authorised Terex dealer within a reasonable time following delivery of the malfunctioning part or attachment to the dealer's place of business.

Defective or malfunctioning parts or attachments must be delivered to an authorised Terex dealer's place of business during regular business hours for warranty repairs or replacements. The dealer must be furnished with the purchaser's copy of the sales slip or repair order to validate date of purchase.

* * * * *

SOLE WARRANTY

This is the only express warranty applicable to new Terex parts and attachments sold by Terex dealers and Terex neither assumes nor authorises anyone to assume for it any other obligation or liability in connection with such parts or attachments.

THIS PAGE IS INTENTIONALLY LEFT BLANK

INSTRUCTIONS FOR USE OF TEREX PARTS BOOK

This Parts Book is divided into Major Sections which cover components corresponding to specific areas of the machine.

Printed at the top left hand corner of each Parts Page is an Index Code which includes three numbers - the first of these relates to a Major Section, the second indicates a Sub-section within a Major Section and the last the model PLI number. Certain Major Sections may not apply to the particular model covered in this Parts Book and, consequently, will be omitted.

An illustrated Index page shows all the Major Component Section numbers included in the book. For example -

SECTION 100 - CHASSIS

SECTION 140 - FRONT AXLE GROUP

SECTION 230 - BODY HOIST SYSTEM etc.

Major Component Sections are listed in the 'Table Of Contents' pages together with Sub-section headings.

For example to locate the serviceable items of a Steering Cylinder -

1. The Table of Contents shows the steering components to be in Major Section 220.
2. The steering cylinder is listed in Major Section 220, Sub-section 0120
3. Select the Parts Page Code that applies to the unit Serial number for which parts are needed and locate the Page with reference number.

EXAMPLE - 220-0120.

SERIAL NUMBERS - Each Parts Book covers a particular range of unit Serial Numbers.

It is important that unit Serial Numbers are quoted on all orders for Parts.

PARTS LISTS - Parts Forms usually consist of detailed parts information listed on one page together with a parts illustration on the opposite page. The parts list is printed in the order of the reference numbers shown on the parts illustration. The first column lists Note Letters; the second lists the reference numbers; the third shows quantity required and the fourth gives the parts descriptions. Parts which are part of an assembly have their descriptions indented beneath the assembly description.

ILLUSTRATIONS - These show typical assemblies and individual piece parts. They are intended for general reference only and may not always show exact details of parts. Parts are identified on each illustration with an item number. Note the item number of the part required and locate it in the parts list. The part number opposite the item number is the part to order.

INDENTATIONS - Parts which are indented under another part are Sub-groups of a Major Assembly or Sub-assembly. Parts which are not indented are major assemblies or individual component parts which do not belong to a major assembly.

EXAMPLE - 1 9052564 Pump Assy.
 2 9058512 . Shaft
 3 9024169 . Ring
 4 9058132 . Control Assy.
 5 9058135 . . Spring
 6 9072162 Gasket

- If you order Item 1, you will receive Items 1 - 5.
- If you order Item 4, you will receive Items 4 and 5.
- If you order Item 6, you will receive only Item 6.

NOTES - Whenever there is an alphabetical symbol to the left of the item number, refer to the corresponding note at the bottom of the form for information regarding ordering or application of the particular part number(s) noted.

ABBREVIATIONS - The abbreviations in this book have the following meanings -

Amps	Amperes	Hsg	Housing	N.I	Not Illustrated
As R	As Required	I.D	Inside Diameter	N.L.A	No Longer Available
Assy	Assembly	L.H	Left Hand	N.S.S	Not Sold Separately
Brkt	Bracket	L.W	Lockwasher	O.D	Outside Diameter
Cad-Pltd	Cadium Plated	Lg	Long	Pr	Pair
Comm	Commencement of production	Lkg	Linkage	P.T.O	Power-Take-Off
E.S.N	Elastic Stop Nut	Mtg	Mounting	R.H	Right Hand
Ftgs	Fittings	N.C	Note Code	Std	Standard



Articulated Truck



TRACTOR SECTIONS



CHASSIS

100



ENGINE

110



TRANSMISSION

120



DRIVELINE

130



FRONT AXLE

140



BRAKE PARTS

165



SUSPENSION SYSTEM

180



ELECTRICAL SYSTEM

190



FUEL SYSTEM

200



COOLING SYSTEM

210



STEERING SYSTEM

220



BODY SYSTEM

230



BRAKING SYSTEM

250



CAB

260



DECALS

290



TABLE OF CONTENTS FOR MODEL TA40

FROM SERIAL NO. A7771001

28/01/02

SECT-PAGE-PLI DESCRIPTION

SECTION 100	CHASSIS	
100-0010-7401	CHASSIS	R1 11/00
100-0010-7401	CHASSIS	R1 02/01
100-0040-7401	HOOD AND MOUNTING	R1 11/00
100-0040-7401	HOOD AND MOUNTING	R1 06/01
100-0040-7401	HOOD AND MOUNTING	06/01
100-0070-7401	FENDERS AND MOUNTING	R2 09/00
100-0070-7401	FENDERS AND MOUNTING	R3 02/01
100-0070-7401	FENDERS AND MOUNTING	02/01
SECTION 110	ENGINE	
110-0030-7401	ENGINE AND MOUNTING	R4 06/01
110-0050-7401	AIR CLEANER	R1 02/01
110-0050-7401	AIR CLEANER	02/01
110-0060-7401	AIR CLEANER PIPES AND HOSES	R1 06/99
110-0060-7401	AIR CLEANER PIPES AND HOSES	R2 02/01
110-0060-7401	AIR CLEANER PIPES AND HOSES	02/01
110-0070-7401	EXHAUST AND MOUNTING	R1 11/00
110-0070-7401	EXHAUST AND MOUNTING	R1 08/01
110-0070-7401	EXHAUST AND MOUNTING	08/01
110-0140-7401	COUPLING	R1 01/02
110-0140-7401	COUPLING	01/02
SECTION 120	TRANSMISSION	
120-0010-7401	TRANSMISSION AND MOUNTING	R5 06/01
120-0020-7401	TRANSMISSION BREAKDOWN	R1 06/99
120-0020-7401	TRANSMISSION BREAKDOWN	R1 11/00
120-0020-7401	TRANSMISSION BREAKDOWN	R1 01/02
120-0020-7401	TRANSMISSION BREAKDOWN	01/02
120-0050-7401	CONTROL VALVE	R1 06/01
120-0050-7401	CONTROL VALVE	06/01
120-0070-7401	SHIFT CONTROL	R2 02/01
120-0070-7401	SHIFT CONTROL	R3 02/01
120-0070-7401	SHIFT CONTROL	R1 02/01
120-0070-7401	SHIFT CONTROL	R1 02/01
120-0070-7401	SHIFT CONTROL	02/01
120-0100-7401	FILTER	R2 06/01
120-0100-7401	FILTER	06/01
120-0110-7401	OIL LINES-TRANSMISSION	R3 08/01
120-0220-7401	OIL PUMP	R1 06/01
120-0220-7401	OIL PUMP	06/01

SECT-PAGE-PLI DESCRIPTION

SECTION 120	TRANSMISSION	
120-0390-7401	TORQUE CONVERTER	R1 06/01
120-0390-7401	TORQUE CONVERTER	06/01
120-0400-7401	LUBRICATION PIPES	R1 06/01
120-0400-7401	LUBRICATION PIPES	06/01
120-0410-7401	INDUCTIVE TRANSMITTER	R1 06/01
120-0410-7401	INDUCTIVE TRANSMITTER	06/01
120-0430-7401	ELECTRIC SHIFT CONTROL VALVE	R2 06/01
120-0430-7401	ELECTRIC SHIFT CONTROL VALVE	06/01
120-0440-7401	GEARSHIFT	R2 06/01
120-0440-7401	GEARSHIFT	06/01
120-0450-7401	GEARBOX HOUSING	R2 06/01
120-0450-7401	GEARBOX HOUSING	06/01
120-0460-7401	CLUTCH ASSEMBLY KV+K1	R1 06/99
120-0460-7401	CLUTCH ASSEMBLY KV+K1	R1 06/01
120-0460-7401	CLUTCH ASSEMBLY KV+K1	06/01
120-0470-7401	CLUTCH ASSEMBLY KR+K2	R1 06/99
120-0470-7401	CLUTCH ASSEMBLY KR+K2	R1 06/01
120-0470-7401	CLUTCH ASSEMBLY KR+K2	06/01
120-0480-7401	CLUTCH ASSEMBLY K4+K3	R1 06/99
120-0480-7401	CLUTCH ASSEMBLY K4+K3	R1 06/01
120-0480-7401	CLUTCH ASSEMBLY K4+K3	06/01
120-0490-7401	RETARDER	R1 06/01
120-0490-7401	RETARDER	06/01
120-0491-7401	RETARDER OIL PIPES	R1 06/01
120-0491-7401	RETARDER OIL PIPES	06/01
120-0500-7401	PTO MAIN HYDRAULIC PUMP	R1 06/01
120-0500-7401	PTO MAIN HYDRAULIC PUMP	06/01
120-0510-7401	POWER TAKE-OFF	R2 06/01
120-0510-7401	POWER TAKE-OFF	06/01
120-0515-7401	EMERGENCY STEERING PUMP	R1 06/01
120-0515-7401	EMERGENCY STEERING PUMP	06/01
120-0520-7401	DRIVE ASSEMBLY	R2 06/01
120-0520-7401	DRIVE ASSEMBLY	R1 01/02
120-0530-7401	LAYSHAFT GEARING	R1 06/01
120-0530-7401	LAYSHAFT GEARING	06/01
120-0540-7401	DIFFERENTIAL	R1 06/01
120-0540-7401	DIFFERENTIAL	06/01
120-0550-7401	AXLE DISCONNECT	R2 06/01
120-0550-7401	AXLE DISCONNECT	06/01

TABLE OF CONTENTS FOR MODEL TA40

FROM SERIAL NO. A7771001

28/01/02

SECT-PAGE-PLI DESCRIPTION

SECTION 130 DRIVELINE

130-0010-7401	FRONT DRIVELINE	R1	11/00
130-0010-7401	FRONT DRIVELINE	R1	02/01
130-0010-7401	FRONT DRIVELINE	R1	06/01
130-0010-7401	FRONT DRIVELINE	R1	01/02
130-0010-7401	FRONT DRIVELINE		01/02

SECTION 140 FRONT AXLE

140-0010-7401	AXLE COMPLETE-FRONT	R1	06/99
140-0010-7401	AXLE COMPLETE-FRONT	R1	10/98
140-0010-7401	AXLE COMPLETE-FRONT	R1	11/00
140-0010-7401	AXLE COMPLETE-FRONT		11/00
140-0020-7401	AXLE GROUP-FRONT	R3	11/00
140-0020-7401	AXLE GROUP-FRONT	R1	11/00
140-0020-7401	AXLE GROUP-FRONT	R1	01/02
140-0040-7401	WHEEL, RIM AND TYRE-FRONT	R2	11/00
140-0040-7401	WHEEL, RIM AND TYRE-FRONT		11/00
140-0060-7401	DIFFERENTIAL-FRONT	R1	06/99
140-0060-7401	DIFFERENTIAL-FRONT	R1	11/00
140-0060-7401	DIFFERENTIAL-FRONT		11/00

SECTION 165 BRAKE PARTS

165-0010-7401	BRAKE PARTS-ARTICS	R1	06/99
165-0010-7401	BRAKE PARTS-ARTICS	R2	01/02
165-0010-7401	BRAKE PARTS-ARTICS	R1	01/02

SECTION 180 SUSPENSION SYSTEM

180-0020-7401	FRONT SUSPENSION	R1	06/99
180-0020-7401	FRONT SUSPENSION	R2	11/00
180-0020-7401	FRONT SUSPENSION		11/00

SECTION 190 ELECTRICAL SYSTEM

190-0010-7401	TERMINALS		
190-0011-7401	CONNECTORS		
190-0030-7401	CABLES/HARNESSES-CAB	R2	01/02
190-0040-7401	CABLES/HARNESSES-CHASS/ENG	R3	11/00
190-0070-7401	BATTERY AND CABLES	R1	06/99
190-0070-7401	BATTERY AND CABLES	R1	09/00
190-0070-7401	BATTERY AND CABLES		09/00
190-0080-7401	BATTERY MOUNTING	R1	06/99
190-0080-7401	BATTERY MOUNTING		06/99

SECT-PAGE-PLI DESCRIPTION

SECTION 190 ELECTRICAL SYSTEM

190-0100-7401	ELECTRICAL LIGHTING SYSTEM	R1	01/02
190-0110-7401	ALTERNATOR AND MOUNTING		
190-0120-7401	STARTER MOTOR AND MOUNTING		
190-0170-7401	FLOODLAMP/SPOTLIGHT/WORK LIGHT		01/02
190-0270-7401	SWITCHES AND SENSORS	R1	11/99
190-0270-7401	SWITCHES AND SENSORS	R1	11/00
190-0270-7401	SWITCHES AND SENSORS	R1	01/02
190-0300-7401	RADIO CASSETTE & SPEAKERS	R1	05/99
190-0300-7401	RADIO CASSETTE & SPEAKERS		05/99
190-0300-7401	RADIO CASSETTE & SPEAKERS	R1	01/02
190-0300-7401	RADIO CASSETTE & SPEAKERS		01/02
190-0310-7401	ELECTRICAL HORN		

SECTION 200 FUEL SYSTEM

200-0010-7401	FUEL TANK AND MOUNTING	R1	06/99
200-0010-7401	FUEL TANK AND MOUNTING		06/99
200-0040-7401	FUEL LINES	R1	11/00
200-0040-7401	FUEL LINES		11/00
200-0050-7401	ACCELERATOR LINKAGE	R1	11/99

SECTION 210 COOLING SYSTEM

210-0010-7401	RADIATOR ASSEMBLY	R1	11/00
210-0010-7401	RADIATOR ASSEMBLY		11/00
210-0010-7401	RADIATOR ASSEMBLY		11/00
210-0020-7401	RADIATOR MOUNTING		
210-0030-7401	RADIATOR PIPING	R1	08/01
210-0040-7401	RADIATOR HEADER TANK AND HOSES		
210-0060-7401	OIL COOLER AND PIPING-TRANS	R1	11/00
210-0060-7401	OIL COOLER AND PIPING-TRANS	R1	08/01
210-0065-7401	OIL COOLER	R1	11/00
210-0065-7401	OIL COOLER		11/00
210-0100-7401	OIL COOLER AND LINES-HYDRAULIC	R2	08/01

SECTION 220 STEERING SYSTEM

220-0010-7401	STEERING LINES	R1	06/99
220-0010-7401	STEERING LINES	R2	11/99
220-0010-7401	STEERING LINES		11/99
220-0050-7401	PUMP-STEERING		
220-0090-7401	STEERING VALVE	R2	09/99
220-0100-7401	FLOW AMPLIFIER VALVE	R1	10/99

TABLE OF CONTENTS FOR MODEL TA40

FROM SERIAL NO. A7771001

28/01/02

SECT-PAGE-PLI DESCRIPTION

SECTION 220 STEERING SYSTEM

220-0100-7401 FLOW AMPLIFIER VALVE 10/99
 220-0120-7401 STEERING CYLINDER R2 10/99
 220-0120-7401 STEERING CYLINDER 10/99
 220-0140-7401 EMERGENCY STEERING VALVE
 220-0230-7401 STEERING COLUMN MOUNTING R1 10/99
 220-0230-7401 STEERING COLUMN MOUNTING R1 11/00
 220-0230-7401 STEERING COLUMN MOUNTING 11/00

SECTION 230 BODY SYSTEM

230-0020-7401 LINES AND FITTINGS-BODY HOIST R1 06/99
 230-0020-7401 LINES AND FITTINGS-BODY HOIST R2 11/99
 230-0020-7401 LINES AND FITTINGS-BODY HOIST R2 06/01
 230-0021-7401 SERVO CONTROL LINES-BODY R2 11/00
 230-0021-7401 SERVO CONTROL LINES-BODY 11/00
 230-0040-7401 TANK AND MOUNTING-BODY HOIST R1 06/99
 230-0040-7401 TANK AND MOUNTING-BODY HOIST R2 02/01
230-0040-7401 TANK AND MOUNTING-BODY HOIST R2 01/02
 230-0060-7401 CONTROL VALVE-BODY HOIST R1 03/99
 230-0081-7401 JOYSTICK-BODY CONTROL R1 06/01
 230-0081-7401 JOYSTICK-BODY CONTROL 06/01
 230-0121-7401 PILOT SUPPLY VALVE R1 05/99

SECTION 250 BRAKING SYSTEM

250-0020-7401 BRAKE LINES-HYDRAULIC R2 11/99
 250-0020-7401 BRAKE LINES-HYDRAULIC R1 11/00
 250-0020-7401 BRAKE LINES-HYDRAULIC R1 06/01
 250-0040-7401 BRAKE PUMP
 250-0050-7401 BRAKE MANIFOLD/PAS VALVE R1 11/00
 250-0050-7401 BRAKE MANIFOLD/PAS VALVE 11/00
 250-0060-7401 BRAKE ACCUMULATOR
 250-0070-7401 TREADLE VALVE R2 11/99
 250-0070-7401 TREADLE VALVE 11/99
 250-0090-7401 DIRECTIONAL CONTROL VALVE

SECTION 260 CAB

260-0010-7401 CAB ASSEMBLY R3 11/00
 260-0010-7401 CAB ASSEMBLY R1 02/01
 260-0010-7401 CAB ASSEMBLY R1 06/01
260-0010-7401 CAB ASSEMBLY R2 01/02
 260-0015-7401 CAB MOUNTING R3 06/01

SECT-PAGE-PLI DESCRIPTION

SECTION 260 CAB

260-0015-7401 CAB MOUNTING R1 06/01
 260-0030-7401 CAB DOOR-LEFT HAND R2 08/01
 260-0080-7401 SWITCHES AND INSTRUMENTS R5 06/01
 260-0090-7401 SEAT-DRIVER R2 08/00
 260-0090-7401 SEAT-DRIVER R2 08/01
 260-0090-7401 SEAT-DRIVER 08/01
 260-0110-7401 SEAT-PASSENGER R1 09/00
 260-0110-7401 SEAT-PASSENGER 09/00
 260-0130-7401 AIR CONDITIONER/HEATER R2 02/01
 260-0130-7401 AIR CONDITIONER/HEATER R4 11/00
 260-0130-7401 AIR CONDITIONER/HEATER 11/00
 260-0140-7401 HEATER LINES AND WIRING R1 06/99
 260-0145-7401 AIR CONDITIONER LINES R1 12-98
 260-0145-7401 AIR CONDITIONER LINES R1 06/99
260-0145-7401 AIR CONDITIONER LINES R5 01/02
260-0145-7401 AIR CONDITIONER LINES 01/02
 260-0190-7401 WINDSCREEN WASHER

SECTION 290 DECALS

290-0010-7401 DECALS-ENGLISH R2 06/01
 290-0010-7401 DECALS-ENGLISH 06/01

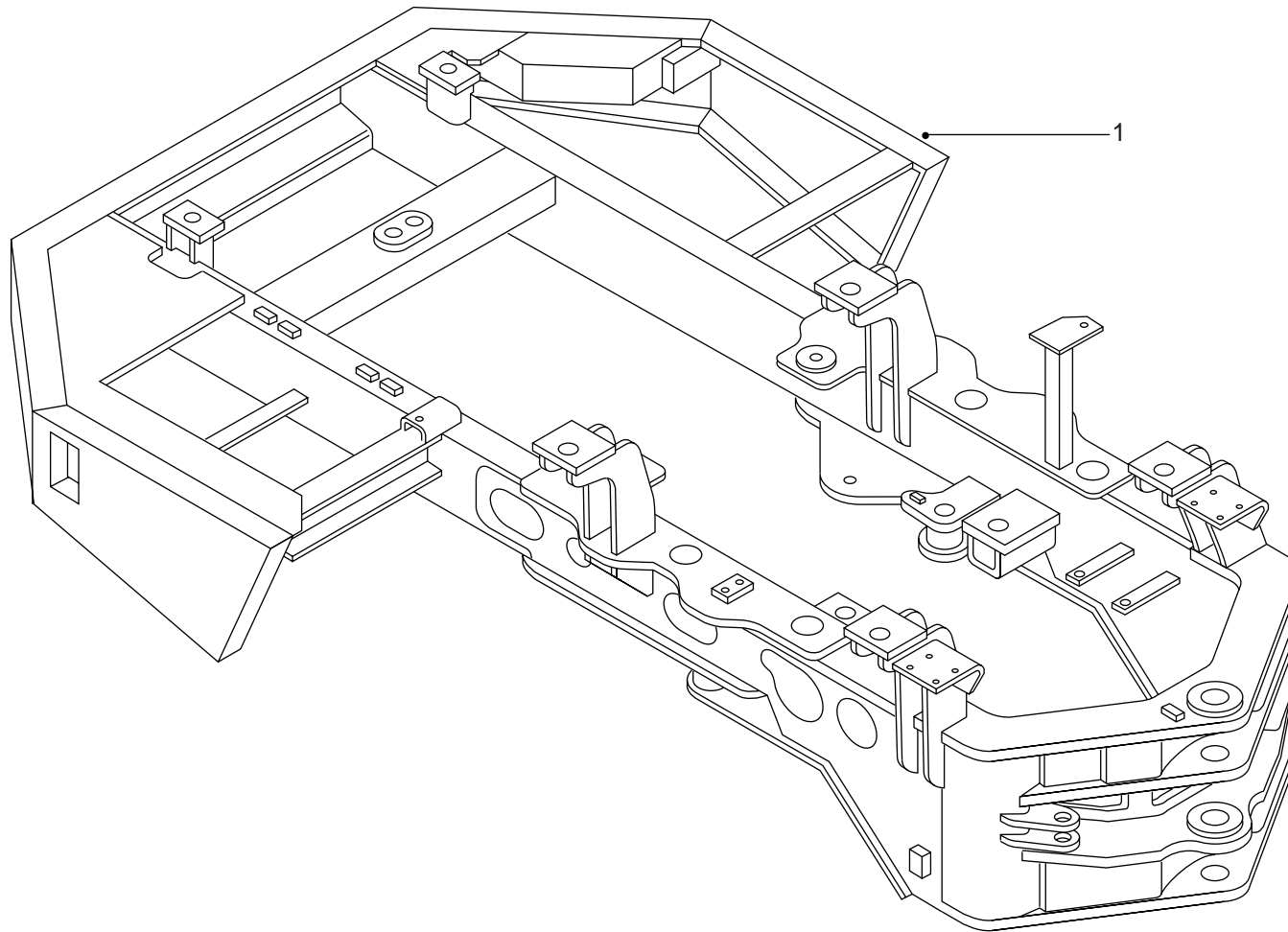
THIS PAGE IS INTENTIONALLY LEFT BLANK

R1 11/00 (ECN 101969)

100-0010-7401 CHASSIS
SERIAL NO. A7771001 TO A7771190

DRAWING NO. P9586

P9586



100-0010-7401 CHASSIS

SERIAL NO. A7771001 TO A7771190

NC	REF	QTY	PART NO.	DESCRIPTION	SER.NO. FROM	SER.NO. TO
----	-----	-----	----------	-------------	-----------------	---------------

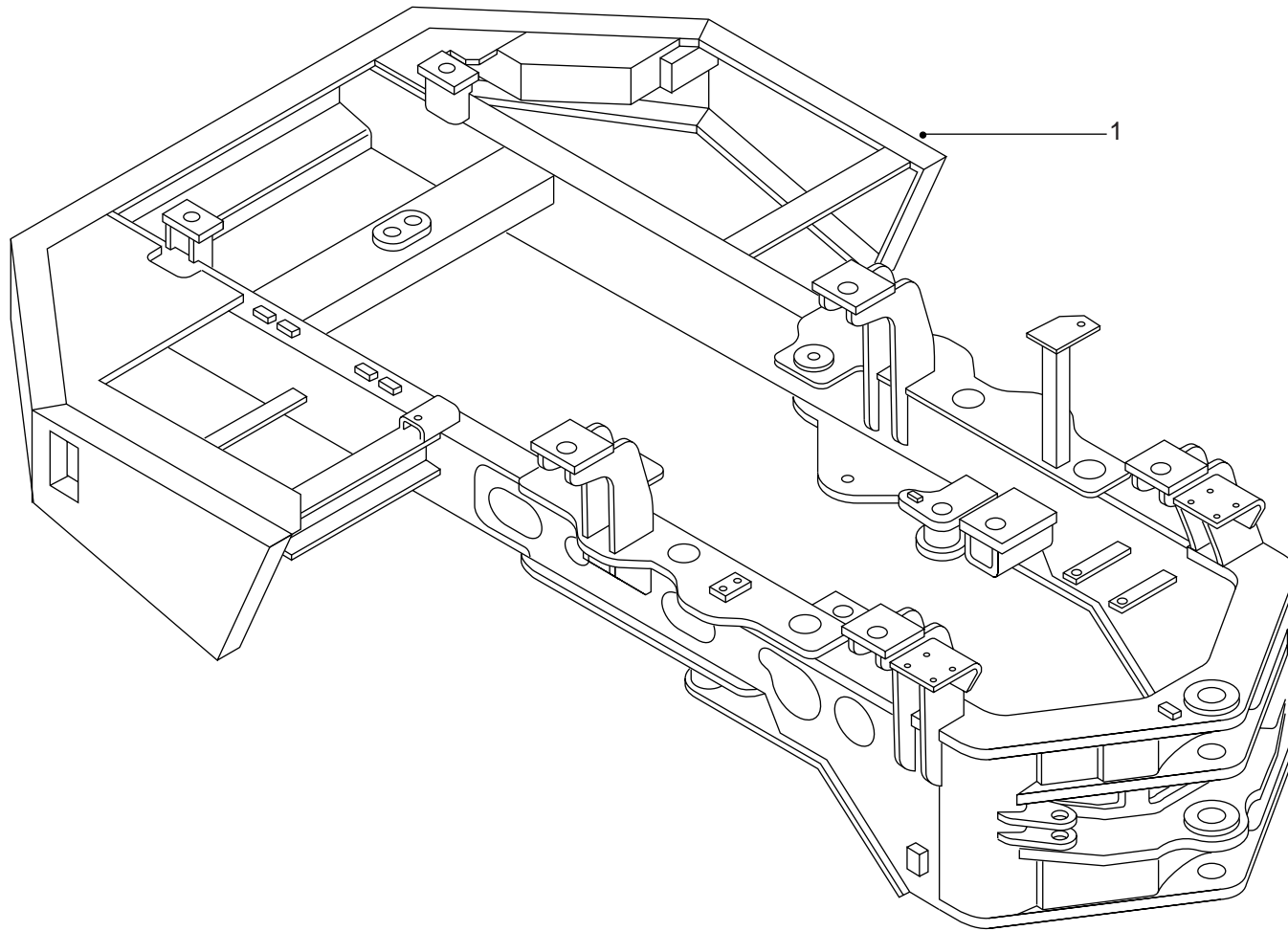
001	001		15302382	FRONT FRAME ASSY		
-----	-----	--	----------	------------------	--	--

R1 02/01 (ECN 103427)

100-0010-7401 CHASSIS
FROM SERIAL NO. A7771191

DRAWING NO. P9586

P9586



100-0010-7401 CHASSIS
FROM SERIAL NO. A7771191

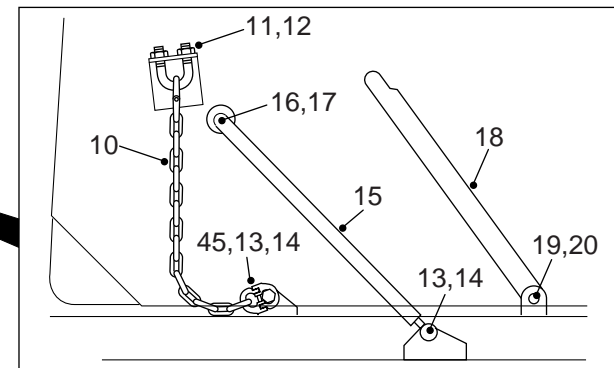
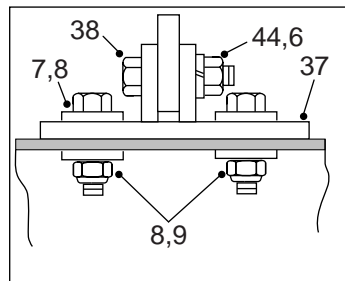
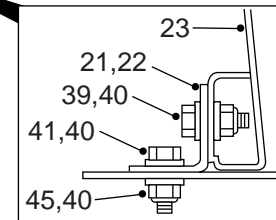
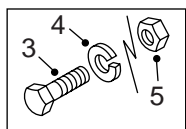
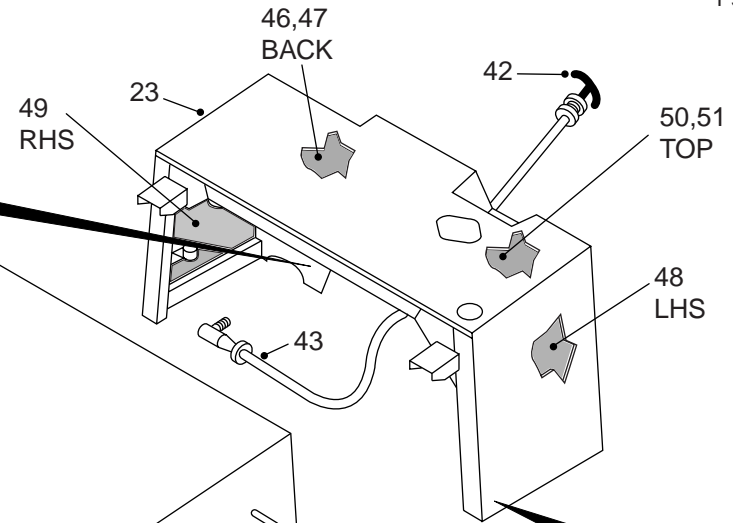
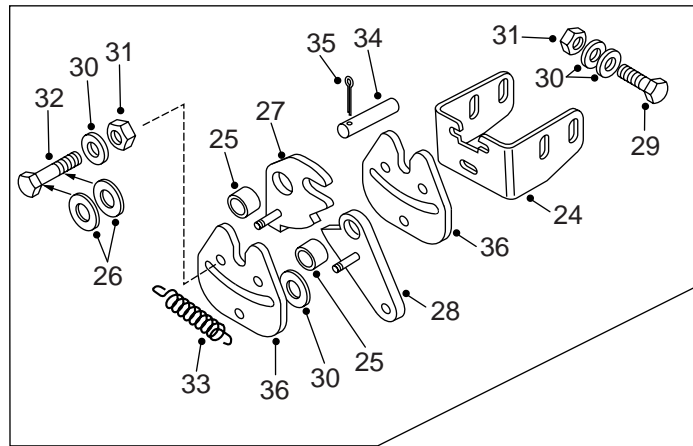
NC	REF	QTY	PART NO.	DESCRIPTION	SER.NO. FROM	SER.NO. TO
001	001		15306522	FRONT FRAME ASSY	A7771191	A7771328
001	001		15310246	FRONT FRAME ASSY	A7771329	

R1 11/00 (ECN 101102, ECN 102348 AND ECN 102468)

100-0040-7401 HOOD AND MOUNTING
SERIAL NO. A7771001 TO A7771252

DRAWING NO. P9899

P9899



100-0040-7401 HOOD AND MOUNTING

SERIAL NO. A7771001 TO A7771252

NC	REF	QTY	PART NO.	DESCRIPTION	SER.NO. FROM	SER.NO. TO
001	001		15303730	FRONT HOOD		
002	001		15303731	.HOOD GRILLE		
003	008		06351225	.BOLT		
004	008		07161230	.LOCKWASHER		
005	008		15235260	.NUT WELDED		
006	002		06471601	LOCKNUT		
007	004		06351650	BOLT		
008	008		09270004	WASHER		
009	010		06471601	LOCKNUT		
010	002		15248927	CHAIN		
011	002		15246583	BOLT-U		
012	004		06431001	NUT		
013	004		06351040	BOLT		
014	004		07151020	WASHER		
015	002		15246598	STRUT-GAS 1600N	A7771001	A7771012
015	002		15303799	STRUT-GAS 1600N	A7771013	A7771151
015	002		15307922	STRUT-GAS 1600N	A7771152	
016	002		06351035	BOLT		
017	002		07161030	LOCKWASHER		
018	001		15253814	PLATE-SUPPORT		
019	001		00179887	BOLT		
020	001		00274209	LOCKNUT		
021	001		15246437	MOUNTING		
022	001		15246438	BRACKET		
023	001		15256251	COWL-REAR		
024	001		15255981	.BRACKET-ADJUSTABLE		
025	003		15255976	.BUSH		
026	004		07152030	.WASHER		
027	001		15255956	.PLATE ASSY-CAM		
028	001		15255957	.PLATE ASSY-CAM		
029	004		06351240	.BOLT		
030	011		01967343	.WASHER		
031	007		06471201	.LOCKNUT		
032	003		06351260	.BOLT		
033	001		15255985	.SPRING		
034	001		15256380	.PIN-CLEVIS		
035	001		00103397	.PIN-COTTER		
036	002		15255947	.PLATE		
037	002		15300416	BRACKET - HOOD		
038	002		06351670	BOLT		

100-0040-7401 HOOD AND MOUNTING

SERIAL NO. A7771001 TO A7771252

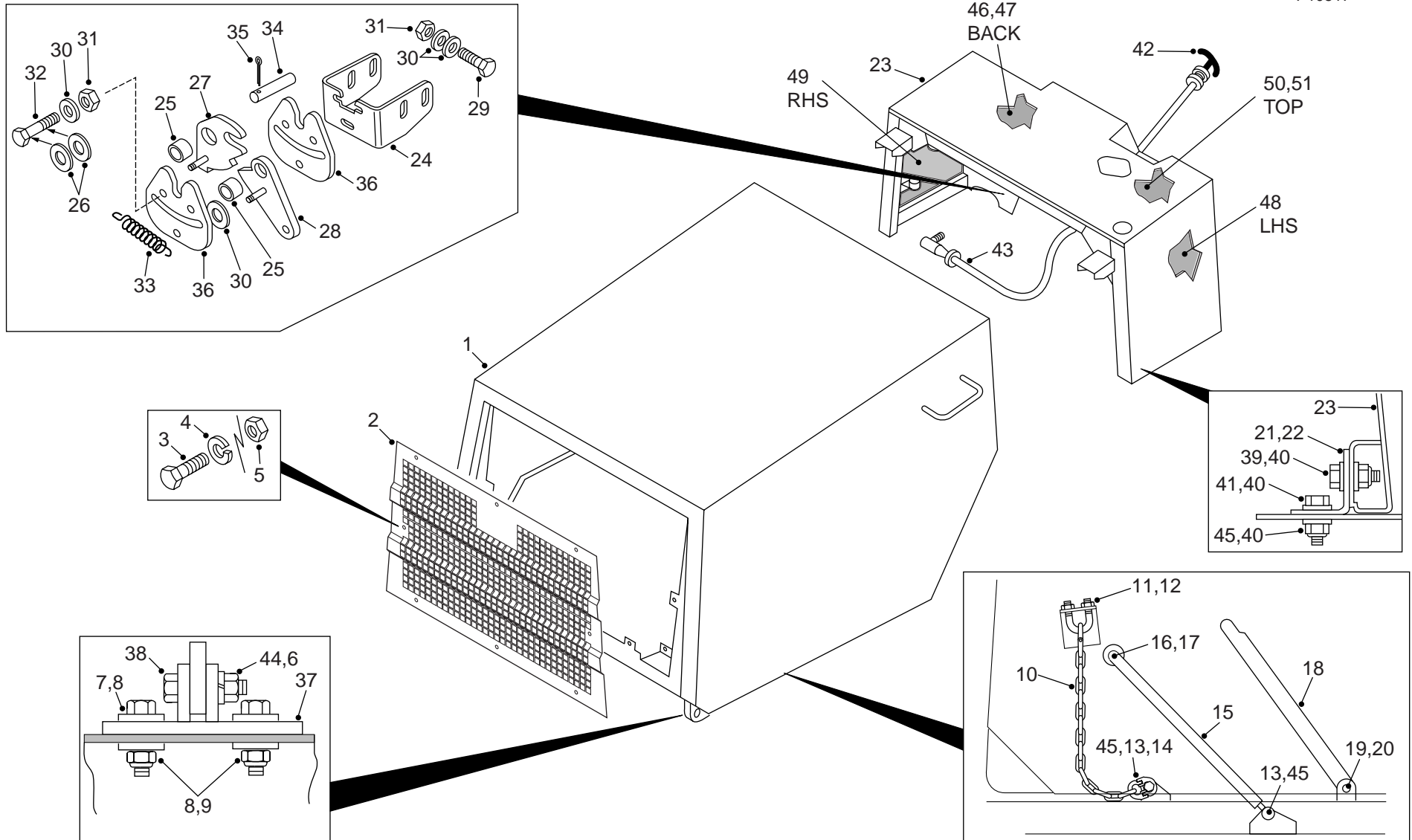
NC	REF	QTY	PART NO.	DESCRIPTION	SER.NO. FROM	SER.NO. TO
039	008		06441020	BOLT		
040	020		07181020	WASHER		
041	008		06351030	BOLT		
042	001		15256649	CABLE-HOOD CATCH		
043	001		15256961	BALLJOINT		
044	002		07151630	WASHER		
045	008		06471001	LOCKNUT		
046	001		15256020	INSULATION PANEL		
047	001		15256021	INSULATION PANEL		
048	001		15256022	INSULATION PANEL		
049	001		15256023	INSULATION PANEL		
050	001		15258841	INSULATION PANEL		
051	001		15258842	INSULATION PANEL		

R1 06/01 (ECN 103582 AND ECN 103780)

100-0040-7401 HOOD AND MOUNTING
SERIAL NO. A7771253 TO A7771397

DRAWING NO. P10517

P10517



100-0040-7401 HOOD AND MOUNTING

SERIAL NO. A7771253 TO A7771397

NC	REF	QTY	PART NO.	DESCRIPTION	SER.NO. FROM	SER.NO. TO
001	001		15303730	FRONT HOOD		
002	001		15303731	.HOOD GRILLE	A7771253	A7771287
002	001		15309151	.HOOD-GRILLE	A7771288	
003	008		06351225	.BOLT		
004	008		07161230	.LOCKWASHER		
005	008		15235260	.NUT WELDED		
006	002		06471601	LOCKNUT		
007	004		06351650	BOLT		
008	008		09270004	WASHER		
009	010		06471601	LOCKNUT		
010	002		15248927	CHAIN		
011	002		15246583	BOLT-U		
012	004		06431001	NUT		
013	004		06351040	BOLT		
014	002		07151020	WASHER		
015	002		15307922	STRUT-GAS 1600N		
016	002		06351035	BOLT		
017	002		07161030	LOCKWASHER		
018	001		15253814	PLATE-SUPPORT		
019	001		00179887	BOLT		
020	001		00274209	LOCKNUT		
021	001		15308511	MOUNTING		
022	001		15308512	BRACKET		
023	001		15308510	COWL-REAR		
024	001		15255981	.BRACKET-ADJUSTABLE		
025	003		15255976	.BUSH		
026	004		07152030	.WASHER		
027	001		15255956	.PLATE ASSY-CAM		
028	001		15255957	.PLATE ASSY-CAM		
029	004		06351240	.BOLT		
030	011		01967343	.WASHER		
031	007		06471201	.LOCKNUT		
032	003		06351260	.BOLT		
033	001		15255985	.SPRING		
034	001		15256380	.PIN-CLEVIS		
035	001		00103397	.PIN-COTTER		
036	002		15255947	.PLATE		
037	002		15300416	BRACKET - HOOD		
038	002		06351670	BOLT		
039	006		06441020	BOLT		

100-0040-7401 HOOD AND MOUNTING

SERIAL NO. A7771253 TO A7771397

NC	REF	QTY	PART NO.	DESCRIPTION	SER.NO. FROM	SER.NO. TO
040	016		07181020	WASHER		
041	004		06351030	BOLT		
042	001		15256649	CABLE-HOOD CATCH		
043	001		15256961	BALLJOINT		
044	002		07151630	WASHER		
045	008		06471001	LOCKNUT		
046	001		15256020	INSULATION PANEL		
047	001		15256021	INSULATION PANEL		
048	001		15256022	INSULATION PANEL		
049	001		15256023	INSULATION PANEL		
050	001		15258841	INSULATION PANEL		
051	001		15258842	INSULATION PANEL		

06/01 (ECN 103582 AND ECN 103780)

100-0040-7401 HOOD AND MOUNTING
FROM SERIAL NO. A7771398

DRAWING NO. P10517

P10517

