



Publication Part Number: **15503340**

Published by : Customer Support Department - TEREX Equipment Limited, Motherwell, Scotland

PARTS BOOK

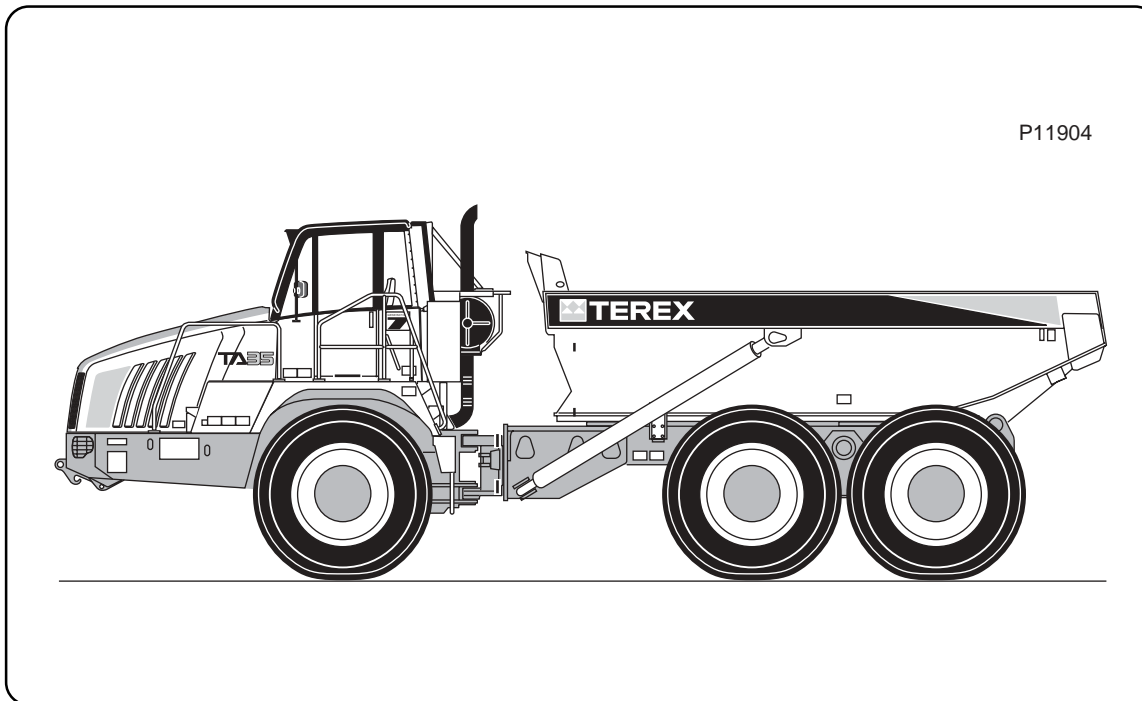
CLICK HERE FOR
TRACTOR
TABLE OF CONTENTS

CLICK HERE FOR
TRACTOR OPTIONAL
TABLE OF CONTENTS

CLICK HERE FOR
TRAILER
TABLE OF CONTENTS

CLICK HERE FOR
TRAILER OPTIONAL
TABLE OF CONTENTS

CLICK HERE
TO RETURN TO MAIN
LIBRARY INDEX



TA35 G7 (OCDB) Articulated Truck

(Detroit Diesel Series 60 Engine with Allison 4500 ORS_R Trans)

Serial Nos. A9171011 and above

February 2007

Revised: **JUNE 2008**

THIS PAGE IS INTENTIONALLY LEFT BLANK



WARRANTY ON PARTS AND ATTACHMENTS

Terex Equipment Limited warrants that for a period of six months or 1000 hours, whichever comes first, after the sale of new Terex replacement parts or attachments by an authorised Terex dealer it will repair, or at its option, replace any defective or malfunctioning part or attachment. This warranty covers only malfunctions resulting from defects in material or workmanship.

This warranty does not cover malfunctions resulting from negligence, alteration, accident or overloading; use for a purpose for which the part or attachment is not designed or approved by Terex; loss of time, inconvenience, loss of use of the vehicle or other consequential damages; or labour for removal or reinstallation of defective or malfunctioning parts or attachments.

Repairs or replacements qualifying under this warranty will be performed by any authorised Terex dealer within a reasonable time following delivery of the malfunctioning part or attachment to the dealer's place of business.

Defective or malfunctioning parts or attachments must be delivered to an authorised Terex dealer's place of business during regular business hours for warranty repairs or replacements. The dealer must be furnished with the purchaser's copy of the sales slip or repair order to validate date of purchase.

* * * * *

SOLE WARRANTY

This is the only express warranty applicable to new Terex parts and attachments sold by Terex dealers and Terex neither assumes nor authorises anyone to assume for it any other obligation or liability in connection with such parts or attachments.

THIS PAGE IS INTENTIONALLY LEFT BLANK

INSTRUCTIONS FOR USE OF TEREX PARTS BOOK

This Parts Book is divided into Major Sections which cover components corresponding to specific areas of the machine.

Printed at the top left hand corner of each Parts Page is an Index Code which includes three numbers - the first of these relates to a Major Section, the second indicates a Sub-section within a Major Section and the last the model PLI number. Certain Major Sections may not apply to the particular model covered in this Parts Book and, consequently, will be omitted.

An illustrated Index page shows all the Major Component Section numbers included in the book. For example -

SECTION 100 - CHASSIS

SECTION 140 - FRONT AXLE GROUP

SECTION 230 - BODY HOIST SYSTEM etc.

Major Component Sections are listed in the 'Table Of Contents' pages together with Sub-section headings. For example to locate the serviceable items of a Steering Cylinder -

1. The Table of Contents shows the steering components to be in Major Section 220.
2. The steering cylinder is listed in Major Section 220, Sub-section 0120
3. Select the Parts Page Code that applies to the unit Serial number for which parts are needed and locate the Page with reference number.
EXAMPLE - 220-0120.

SERIAL NUMBERS - Each Parts Book covers a particular range of unit Serial Numbers.

It is important that unit Serial Numbers are quoted on all orders for Parts.

PARTS LISTS - Parts Forms usually consist of detailed parts information listed on one page together with a parts illustration on the opposite page. The parts list is printed in the order of the reference numbers shown on the parts illustration. The first column lists Note Letters; the second lists the reference numbers; the third shows quantity required and the fourth gives the parts descriptions. Parts which are part of an assembly have their descriptions indented beneath the assembly description.

ILLUSTRATIONS - These show typical assemblies and individual piece parts. They are intended for general reference only and may not always show exact details of parts. Parts are identified on each illustration with an item number. Note the item number of the part required and locate it in the parts list. The part number opposite the item number is the part to order.



INDENTATIONS - Parts which are indented under another part are Sub-groups of a Major Assembly or Sub-assembly. Parts which are not indented are major assemblies or individual component parts which do not belong to a major assembly.

EXAMPLE - 1 9052564 Pump Assy.
2 9058512 . Shaft
3 9024169 . Ring
4 9058132 . Control Assy.
5 9058135 . . Spring
6 9072162 Gasket

- If you order Item 1, you will receive Items 1 - 5.
- If you order Item 4, you will receive Items 4 and 5.
- If you order Item 6, you will receive only Item 6.

NOTES - Whenever there is an alphabetical symbol to the left of the item number, refer to the corresponding note at the bottom of the form for information regarding ordering or application of the particular part number(s) noted.

ABBREVIATIONS - The abbreviations in this book have the following meanings -











Amps	Amperes	Hsg	Housing	N.I	Not Illustrated
As R	As Required	I.D	Inside Diameter	N.L.A	No Longer Available
Assy	Assembly	L.H	Left Hand	N.S.S	Not Sold Separately
Brkt	Bracket	L.W	Lockwasher	O.D	Outside Diameter
Cad-Pltd	Cadium Plated	Lg	Long	Pr	Pair
Comm	Commencement of production	Lkg	Linkage	P.T.O	Power-Take-Off
E.S.N	Elastic Stop Nut	Mtg	Mounting	R.H	Right Hand
Ftgs	Fittings	N.C	Note Code	Std	Standard



Articulated Truck



TRACTOR SECTIONS

	CHASSIS	100
	ENGINE	110
	TRANSMISSION	120
	TRANSMISSION DROPBOX	125
	DRIVELINE	130
	FRONT AXLE	140
	BRAKE PARTS	165
	SUSPENSION SYSTEM	180
	ELECTRICAL SYSTEM	190
	FUEL SYSTEM	200

	COOLING SYSTEM	210
	MAIN HYDRAULIC VALVE	215
	STEERING SYSTEM	220
	BODY HOIST SYSTEM	230
	BRAKING SYSTEM	250
	CAB	260
	DECALS	290
	MISCELLANEOUS	300
		
		

TABLE OF CONTENTS FOR MODEL TA35 G7 OCDB TRACTOR

FROM SERIAL NO A9171011

REVISED 06/08

SECT-PAGE-PLI	DESCRIPTION	SERIAL NO. EFFECTIVITY	REVISION AND DATE
SECTION 100	CHASSIS		
100-0010-9181	CHASSIS		R1 11/07
100-0030-9181	SOUND INSULATION		
100-0040-9181	HOOD AND MOUNTING		
100-0070-9181	FENDERS AND MOUNTING		R1 10/07
100-0085-9181	PIVOT & ACCUMULATOR GUARD		
100-0135-9181	ROCK AND SUMP GUARDS		
SECTION 110	ENGINE		
110-0020-9181	ENGINE ORDERING INSTRUCTIONS		
110-0030-9181	ENGINE AND MOUNTING		R1 06/08
110-0050-9181	AIR CLEANER ASSEMBLY		
110-0060-9181	AIR CLEANER MOUNTING PIPES AND HOSES		
110-0070-9181	EXHAUST AND MOUNTING		R4 06/08
SECTION 120	TRANSMISSION		
120-0010-9181	TRANSMISSION MOUNTING		R1 02/08
120-0020-9181	TRANSMISSION BREAKDOWN		
120-0040-9181	P1 PLANETARY GROUP		
120-0045-9181	P2 PLANETARY GROUP		
120-0046-9181	P3 PLANETARY & REAR COVER/RETARDER		
120-0050-9181	CONTROL VALVE		
120-0070-9181	SHIFT CONTROL		
120-0090-9181	POWER TAKE-OFF MAIN PUMP		
120-0100-9181	TRANS OIL FILTERS		
120-0125-9181	OIL COOLER GROUP		
120-0135-9181	FRONT SUPPORT & OIL PUMP		
120-0200-9181	FRONT COVER & CONVERTER GROUP		
120-0210-9181	CONVERTER HOUSING GROUP		
120-0215-9181	FLEXPLATE AND ADAPTOR		
120-0225-9181	ROTATING CLUTCH		
120-0235-9181	MAIN SHAFT		
120-0255-9181	RETARDER CONTROLS		
120-0290-9181	MAIN HOUSING GROUP		

TABLE OF CONTENTS FOR MODEL TA35 G7 OCDB TRACTOR

FROM SERIAL NO A9171011

REVISED 06/08

SECT-PAGE-PLI	DESCRIPTION	SERIAL NO. EFFECTIVITY	REVISION AND DATE
<u>SECTION 125</u>	<u>TRANSMISSION DROPBOX</u>		
125-0010-9181	DROPBOX MOUNTING	A9171011 TO A9171014	
125-0010-9181	DROPBOX MOUNTING	A9171015	06/07
125-0020-9181	DROPBOX ASSEMBLY	A9171011 TO A9171014	
125-0020-9181	DROPBOX ASSEMBLY	A9171015	06/07
125-0025-9181	CONTROL VALVE-DROPBOX	A9171011 TO A9171014	
125-0025-9181	CONTROL VALVE-DROPBOX	A9171015	R1 11/07
125-0026-9181	PRESSURE RELIEF VALVE-DROPBOX		11/07
125-0030-9181	EMERGENCY STEERING PUMP ASSEMBLY		R1 05/07
125-0035-9181	PUMP ASSEMBLY-DROPBOX		
125-0040-9181	DIFFERENTIAL-LOCK LINES & FTGS		R1 10/07
125-0045-9181	FILTER ASSEMBLY-DROPBOX	A9171011 TO A9171040	R2 06/08
125-0045-9181	FILTER ASSEMBLY-DROPBOX	A9171041	06/08
125-0050-9181	SUCTION FILTER ASSY-DROPBOX		06/07
<u>SECTION 130</u>	<u>DRIVELINE</u>		
130-0010-9181	FRONT DRIVELINE		
<u>SECTION 140</u>	<u>FRONT AXLE</u>		
140-0010-9181	AXLE COMPLETE-FRONT		
140-0020-9181	AXLE GROUP-FRONT		
140-0030-9181	PLANETARY GEARING-FRONT		
140-0040-9181	WHEEL, RIM AND TYRE-FRONT		
140-0060-9181	DIFFERENTIAL-FRONT		
<u>SECTION 165</u>	<u>BRAKE PARTS</u>		
165-0015-9181	BRAKE ASSEMBLY-OCDB(ARTICS)		
<u>SECTION 180</u>	<u>SUSPENSION SYSTEM</u>		
180-0020-9181	FRONT SUSPENSION		R2 10/07

TABLE OF CONTENTS FOR MODEL TA35 G7 OCDB TRACTOR

FROM SERIAL NO A9171011

REVISED 06/08

SECT-PAGE-PLI	DESCRIPTION	SERIAL NO. EFFECTIVITY	REVISION AND DATE
SECTION 190	ELECTRICAL SYSTEM		
190-0010-9181	TERMINALS		
190-0011-9181	CONNECTORS		
190-0030-9181	CABLES/HARNESSES-CAB	A9171011 TO A9171021	R1 05/07
190-0030-9181	CABLES/HARNESSES-CAB	A9171022 TO A917 TBA	06/07
190-0030-9181	CABLES/HARNESSES-CAB	A917 TBA	06/08
190-0040-9181	CABLES/HARNESSES-CHASS/ENG	A9171011 TO A9171021	
190-0040-9181	CABLES/HARNESSES-CHASS/ENG	A9171022	R1 11/07
190-0070-9181	BATTERY AND CABLES		R1 06/08
190-0080-9181	BATTERY MOUNTING		
190-0085-9181	ECU-HYD.SYSTEM MONITORING		R2 10/07
190-0100-9181	ELECTRICAL LIGHTING SYSTEM		
190-0110-9181	ALTERNATOR AND MOUNTING		
190-0120-9181	STARTER		
190-0270-9181	SWITCHES AND SENSORS		R2 06/07
190-0300-9181	RADIO CASSETTE AND SPEAKERS		
190-0310-9181	ELECTRICAL HORN		
SECTION 200	FUEL SYSTEM		
200-0010-9181	FUEL TANK AND MOUNTING	A9171011 TO A917 TBA	
200-0010-9181	FUEL TANK AND MOUNTING	A917 TBA	10/07
200-0040-9181	FUEL LINES	A9171011 TO A9171031	
200-0040-9181	FUEL LINES	A9171032	01/08
200-0050-9181	ACCELERATOR CONTROLS		R1 06/08
SECTION 210	COOLING SYSTEM		
210-0015-9181	COMBINATION COOLER RH		
210-0016-9181	COMBINATION COOLER LH		
210-0020-9181	RADIATOR MOUNTING		R1 05/07
210-0025-9181	RADIATOR FAN MOTOR-HYD LINES		R5 06/08
210-0030-9181	RADIATOR PIPING		
210-0035-9181	CHARGE AIR COOLER & PIPING		R1 10/07
210-0040-9181	RADIATOR HEADER TANK & HOSES		R1 10/07
210-0044-9181	FAN DISCONNECT VALVE		
210-0045-9181	LOW TEMP UNLOADER VALVE		
210-0052-9181	OIL COOLING LINES-DISC BRAKES		R2 02/08
210-0062-9181	TRANS OIL COOLER LINES	A9171011 TO A9171039	
210-0062-9181	TRANS OIL COOLER LINES	A9171040	R1 02/08
210-0063-9181	DROPBOX OIL COOLING & LUBE LINES		R5 06/08
210-0100-9181	OIL COOLER AND LINES-HYDRAULIC	A9171011 TO A9171031	R1 08/07
210-0100-9181	OIL COOLER AND LINES-HYDRAULIC	A9171032	01/08

TABLE OF CONTENTS FOR MODEL TA35 G7 OCDB TRACTOR

FROM SERIAL NO A9171011

REVISED 06/08

SECT-PAGE-PLI	DESCRIPTION	SERIAL NO. EFFECTIVITY	REVISION AND DATE
SECTION 215	MAIN HYDRAULIC VALVE		
215-0050-9181	MAIN HYDRAULIC VALVE ASSY		R1 11/07
SECTION 220	STEERING SYSTEM		
220-0010-9181	STEERING LINES		R2 06/08
220-0090-9181	STEERING VALVE		
220-0120-9181	STEERING CYLINDER		
220-0140-9181	EMERGENCY STEERING VALVE		
220-0230-9181	STEERING COLUMN MOUNTING		
SECTION 230	BODY HOIST SYSTEM		
230-0020-9181	LINE AND FITTINGS-BODY HOIST		R1 06/07
230-0050-9181	MAIN HYDRAULIC PUMP ASSEMBLY	A9171011 TO A9171037	R1 02/08
230-0050-9181	MAIN HYDRAULIC PUMP ASSEMBLY	A9171038	06/08
230-0055-9181	PORTING BLOCK-MAIN PUMP		R1 05/07
230-0081-9181	JOYSTICK-BODY CONTROL		
230-0135-9181	LOAD SENSE CONTROL VALVE		10/07
SECTION 250	BRAKING SYSTEM		
250-0020-9181	BRAKE LINES-HYDRAULIC		R4 06/08
250-0025-9181	BRAKE COOLANT/HYDRAULIC TANK	A9171011 TO A9171029	R2 10/07
250-0025-9181	BRAKE COOLANT/HYDRAULIC TANK	A9171030	R2 06/08
250-0026-9181	HYDRAULIC TANK PRESSURISATION		R2 06/08
250-0045-9181	MOTOR/TRIPLE PUMP ASSEMBLY		R1 06/07
250-0060-9181	BRAKE ACCUMULATOR		
250-0070-9181	TREADLE VALVE (MICO)	A9171011 TO A9171027	R1 08/07
250-0070-9181	TREADLE VALVE (MICO)	A9171028	R1 01/08
250-0240-9181	FILTER ASSY-OCDB		
SECTION 260	CAB		
260-0010-9181	CAB ASSEMBLY		R1 01/08
260-0015-9181	CAB MOUNTING		R2 08/07
260-0018-9181	CAB TILT MECHANISM		
260-0030-9181	CAB DOOR-LEFT HAND		
260-0080-9181	SWITCHES AND INSTRUMENTS	A9171011 TO A917 TBA	R1 06/07
260-0080-9181	SWITCHES AND INSTRUMENTS	A9171 TBA	R2 06/08
260-0090-9181	SEAT-DRIVER		
260-0110-9181	SEAT-INSTRUCTOR		R1 06/07
260-0130-9181	AIR CONDITIONER/HEATER		
260-0140-9181	HEATER LINES AND WIRING		R1 11/07
260-0145-9181	AIR CONDITIONER LINES		R1 05/07
260-0190-9181	WINDSCREEN WASHER		

TABLE OF CONTENTS FOR MODEL TA35 G7 OCDB TRACTOR

FROM SERIAL NO A9171011

REVISED 06/08

SECT-PAGE-PLI	DESCRIPTION	SERIAL NO. EFFECTIVITY	REVISION AND DATE
<u>SECTION 290</u>	<u>DECALS</u>		
290-0010-9181	DECALS-ENGLISH (ISO)		R3 02/08
290-0011-9181	DECALS-ENGLISH (ANSI)		R3 02/08
290-0100-9181	WALKWAY SURFACES (ANTI-SLIP)		06/07
<u>SECTION 300</u>	<u>MISCELLANEOUS</u>		
300-0040-9181	MULTI-TUBE CLAMPS AND HARDWARE		
300-0045-9181	POLYPROPELENE CLAMPS		
300-0200-9181	UNIT FILTERS & ELEMENT KITS		06/08

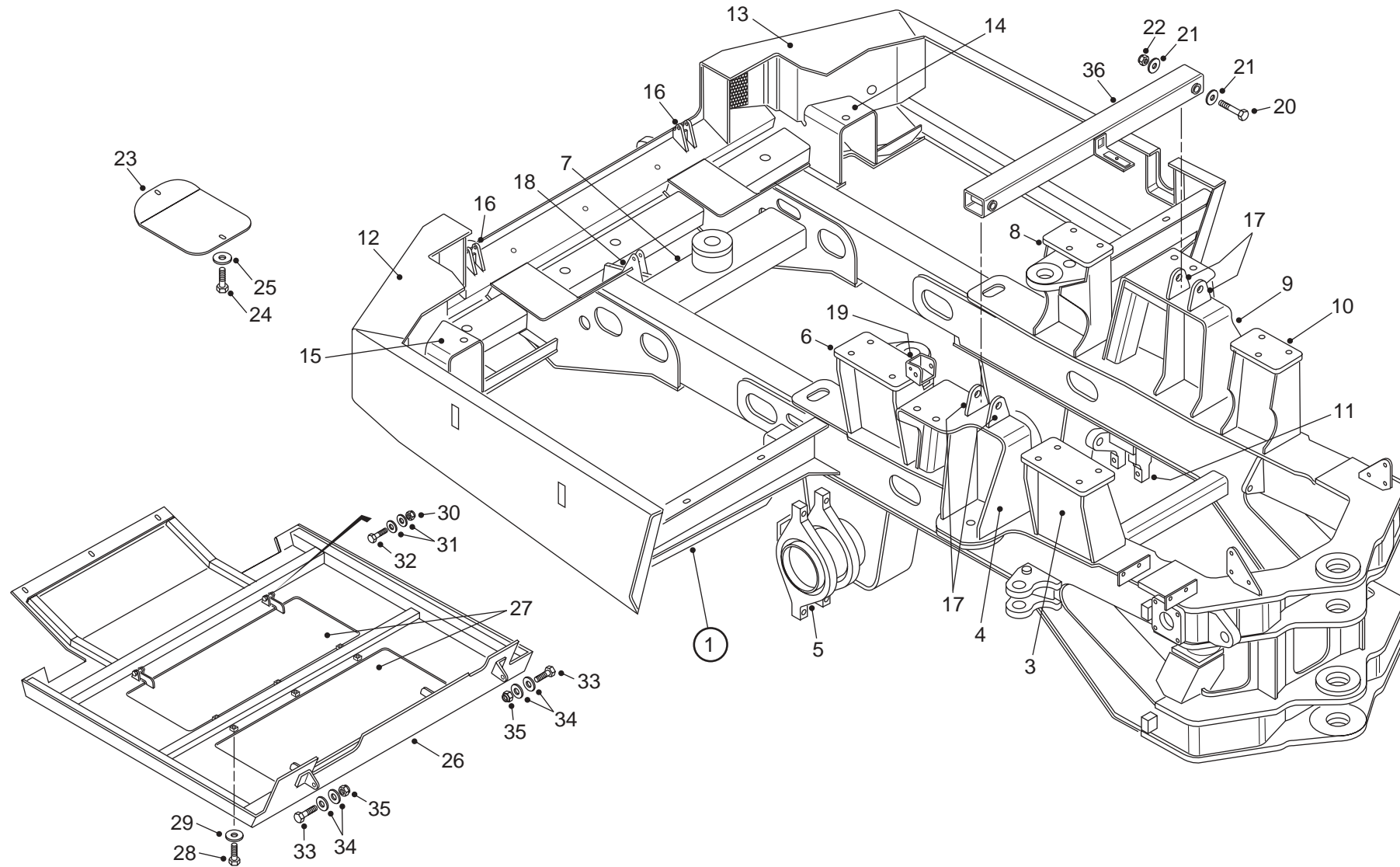
THIS PAGE IS INTENTIONALLY LEFT BLANK

R1 11/07 (ECN 109096)

100-0010-9181 CHASSIS
FROM SERIAL NO. A9171011

DRAWING NO. P11828

P11828



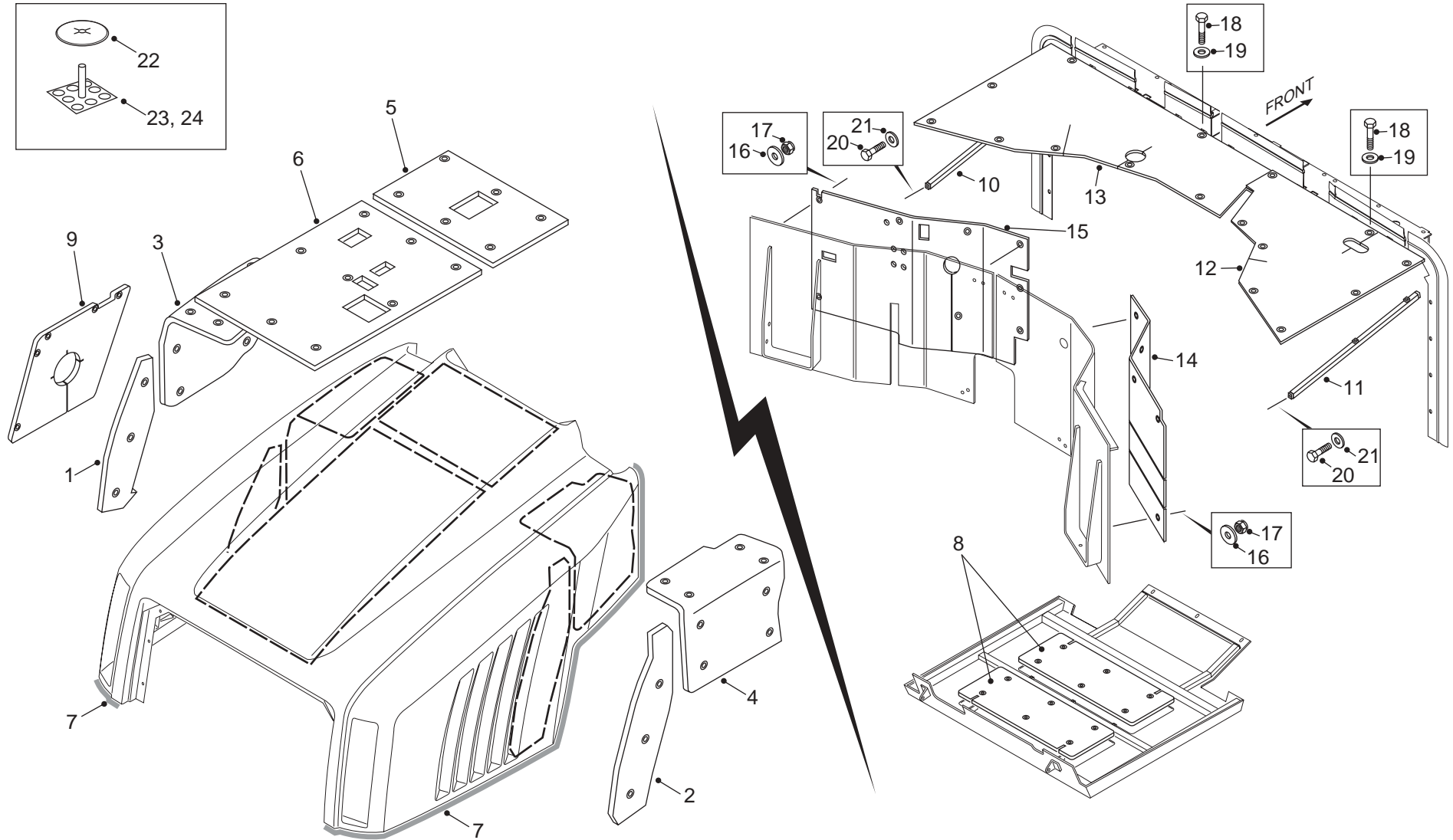
100-0010-9181 CHASSIS
FROM SERIAL NO. A9171011

NC	REF	QTY	PART NO.	DESCRIPTION	SER.NO. FROM	SER.NO. TO
001	001		15323646	FRAME ASSY-TRACTOR		
002	001		15319635	.FRAME-FRONT SUB ASSY		
003	001		15319764	.CAB MOUNT ASSY		
004	001		15319726	.SUSPENSION MOUNT-LH		
005	001		15320693	.SUSPENSION FRAME		
006	001		15319763	.CAB MOUNT ASSY		
007	001		15319684	.CROSSMEMBER		
008	001		15319098	.CAB MOUNT ASSY		
009	001		15319727	.SUSPENSION MOUNT-RH		
010	001		15319099	.CAB MOUNT ASSY		
011	001		15319712	.BRACKET ASSY(PANHARD)		
012	001		15322887	.HEADLIGHT PLATE ASSY-LH		
013	001		15322888	.HEADLIGHT PLATE ASSY-RH		
014	001		15322718	.PLATE-TANK SUPPORT-RH		
015	001		15322717	.PLATE-TANK SUPPORT-LH		
016	002		15322886	.HOOD HINGE ASSY		
017	004		15319780	.PLATE-CROSSMEMBER		
018	001		15321276	.HOOD PROP FRAME ASSY		
019	001		15323495	.BRACKET-CAB PROP		
020	002		15330267	BOLT-M24		
021	004		15234742	WASHER		
022	002		06642401	LOCKNUT		
023	001		15322527	PANEL-ACCESS COVER		
024	002		06351220	BOLT		
025	002		07161230	LOCKWASHER		
026	001		15330134	SUMP GUARD ASSY		
027	002		15324298	.INSPECTION COVER		
028	006		06351230	.BOLT		
029	006		09217321	.WASHER		
030	004		06351035	.BOLT		
031	008		07151020	.WASHER		
032	004		06471001	.LOCKNUT		
033	002		06351655	BOLT		
034	004		07151630	WASHER		
035	002		06471601	LOCKNUT		
036	001		15323047	CROSSMEMBER ASSY		

100-0030-9181 SOUND INSULATION
FROM SERIAL NO. A9171011

DRAWING NO. P11922

P11922



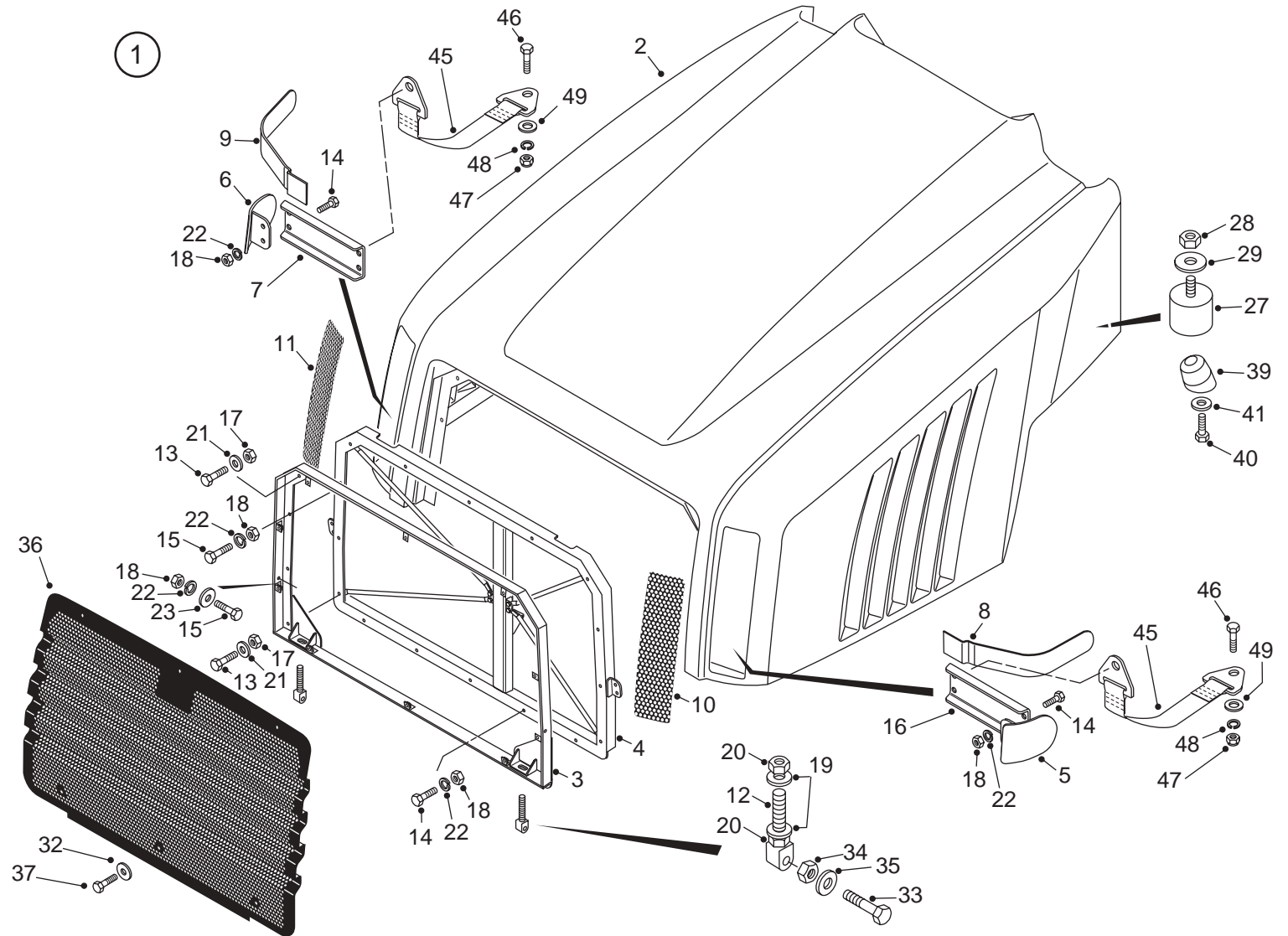
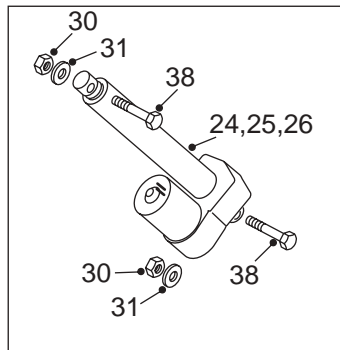
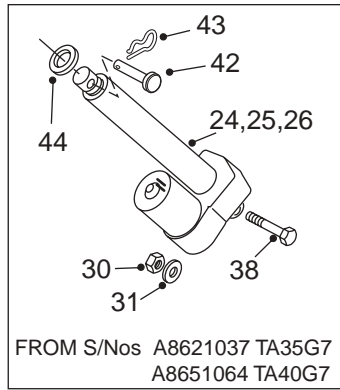
100-0030-9181 SOUND INSULATION
 FROM SERIAL NO. A9171011

NC	REF	QTY	PART NO.	DESCRIPTION	SER.NO. FROM	SER.NO. TO
001	001		15333049	QUILT-HOOD RIGHT/MID		
002	001		15333051	QUILT-HOOD LEFT/MID		
003	001		15333055	QUILT-HOOD RIGHT/MID		
004	001		15333057	QUILT-HOOD LEFT/REAR		
005	001		15333059	QUILT-HOOD TOP/REAR		
006	001		15333060	QUILT-HOOD TOP/FRONT		
007	ASR		15319946	LIP SEAL		
008	002		15333041	QUILT-SUMP GUARD		
009	001		15333063	QUILT-AIR INTAKE		
010	001		15333020	TIE BAR ASSY		
011	001		15333022	TIE BAR ASSY		
012	001		15334216	QUILT-ENGINE/RADIATOR		
013	001		15334213	QUILT-ENGINE/RADIATOR		
014	001		15333032	QUILT-ENGINE/RADIATOR		
015	001		15333037	QUILT-ENGINE/RADIATOR		
016	015		15316089	WASHER		
017	015		06470601	LOCKNUT		
018	013		06351030	BOLT		
019	013		00106264	WASHER		
020	004		06351025	BOLT		
021	004		07151020	WASHER		
022	ASR		15501136	CAP		
023	ASR		15503209	STUD-LONG 55MM		
024	ASR		15503210	STUD-SHORT 35MM		

100-0040-9181 HOOD AND MOUNTING
FROM SERIAL NO. A9171011

DRAWING NO. P11882

P11882



R1 10/07 (ECN 109013)

100-0070-9181 FENDERS AND MOUNTING
FROM SERIAL NO. A9171011

DRAWING NO. P11885

P11885

