



Publication Part Number: **15503705**

Published by : Customer Support Department - TEREX Equipment Limited, Motherwell, Scotland

PARTS BOOK

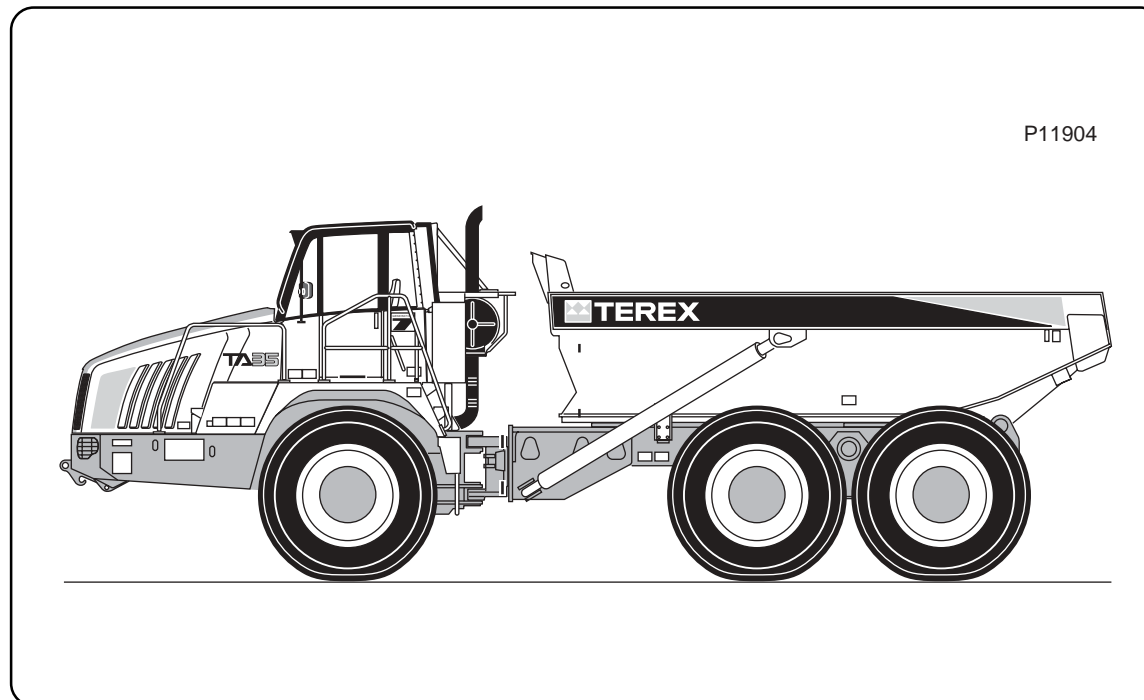
CLICK HERE FOR
TRACTOR
TABLE OF CONTENTS

CLICK HERE FOR
TRACTOR OPTIONAL
TABLE OF CONTENTS

CLICK HERE FOR
TRAILER
TABLE OF CONTENTS

CLICK HERE FOR
TRAILER OPTIONAL
TABLE OF CONTENTS

CLICK HERE
TO RETURN TO MAIN
LIBRARY INDEX



TA35 G7 (OCDB) Articulated Truck (Europe only)

(Detroit Diesel 450HP Series 60 Engine with Allison 4500 ORS_R Trans)

Serial Nos. A9461011 and above

October 2007

Revised: **JUNE 2008**

THIS PAGE IS INTENTIONALLY LEFT BLANK



WARRANTY ON PARTS AND ATTACHMENTS

Terex Equipment Limited warrants that for a period of six months or 1000 hours, whichever comes first, after the sale of new Terex replacement parts or attachments by an authorised Terex dealer it will repair, or at its option, replace any defective or malfunctioning part or attachment. This warranty covers only malfunctions resulting from defects in material or workmanship.

This warranty does not cover malfunctions resulting from negligence, alteration, accident or overloading; use for a purpose for which the part or attachment is not designed or approved by Terex; loss of time, inconvenience, loss of use of the vehicle or other consequential damages; or labour for removal or reinstallation of defective or malfunctioning parts or attachments.

Repairs or replacements qualifying under this warranty will be performed by any authorised Terex dealer within a reasonable time following delivery of the malfunctioning part or attachment to the dealer's place of business.

Defective or malfunctioning parts or attachments must be delivered to an authorised Terex dealer's place of business during regular business hours for warranty repairs or replacements. The dealer must be furnished with the purchaser's copy of the sales slip or repair order to validate date of purchase.

* * * * *

SOLE WARRANTY

This is the only express warranty applicable to new Terex parts and attachments sold by Terex dealers and Terex neither assumes nor authorises anyone to assume for it any other obligation or liability in connection with such parts or attachments.

THIS PAGE IS INTENTIONALLY LEFT BLANK

INSTRUCTIONS FOR USE OF TEREX PARTS BOOK

This Parts Book is divided into Major Sections which cover components corresponding to specific areas of the machine.

Printed at the top left hand corner of each Parts Page is an Index Code which includes three numbers - the first of these relates to a Major Section, the second indicates a Sub-section within a Major Section and the last the model PLI number. Certain Major Sections may not apply to the particular model covered in this Parts Book and, consequently, will be omitted.

An illustrated Index page shows all the Major Component Section numbers included in the book. For example -

SECTION 100 - CHASSIS

SECTION 140 - FRONT AXLE GROUP

SECTION 230 - BODY HOIST SYSTEM etc.

Major Component Sections are listed in the 'Table Of Contents' pages together with Sub-section headings. For example to locate the serviceable items of a Steering Cylinder -

1. The Table of Contents shows the steering components to be in Major Section 220.
2. The steering cylinder is listed in Major Section 220, Sub-section 0120
3. Select the Parts Page Code that applies to the unit Serial number for which parts are needed and locate the Page with reference number.
EXAMPLE - 220-0120.

SERIAL NUMBERS - Each Parts Book covers a particular range of unit Serial Numbers.

It is important that unit Serial Numbers are quoted on all orders for Parts.

PARTS LISTS - Parts Forms usually consist of detailed parts information listed on one page together with a parts illustration on the opposite page. The parts list is printed in the order of the reference numbers shown on the parts illustration. The first column lists Note Letters; the second lists the reference numbers; the third shows quantity required and the fourth gives the parts descriptions. Parts which are part of an assembly have their descriptions indented beneath the assembly description.

ILLUSTRATIONS - These show typical assemblies and individual piece parts. They are intended for general reference only and may not always show exact details of parts. Parts are identified on each illustration with an item number. Note the item number of the part required and locate it in the parts list. The part number opposite the item number is the part to order.



INDENTATIONS - Parts which are indented under another part are Sub-groups of a Major Assembly or Sub-assembly. Parts which are not indented are major assemblies or individual component parts which do not belong to a major assembly.

EXAMPLE - 1 9052564 Pump Assy.
2 9058512 . Shaft
3 9024169 . Ring
4 9058132 . Control Assy.
5 9058135 . . Spring
6 9072162 Gasket

- If you order Item 1, you will receive Items 1 - 5.
- If you order Item 4, you will receive Items 4 and 5.
- If you order Item 6, you will receive only Item 6.

NOTES - Whenever there is an alphabetical symbol to the left of the item number, refer to the corresponding note at the bottom of the form for information regarding ordering or application of the particular part number(s) noted.

ABBREVIATIONS - The abbreviations in this book have the following meanings -











Amps	Amperes	Hsg	Housing	N.I	Not Illustrated
As R	As Required	I.D	Inside Diameter	N.L.A	No Longer Available
Assy	Assembly	L.H	Left Hand	N.S.S	Not Sold Separately
Brkt	Bracket	L.W	Lockwasher	O.D	Outside Diameter
Cad-Pltd	Cadium Plated	Lg	Long	Pr	Pair
Comm	Commencement of production	Lkg	Linkage	P.T.O	Power-Take-Off
E.S.N	Elastic Stop Nut	Mtg	Mounting	R.H	Right Hand
Ftgs	Fittings	N.C	Note Code	Std	Standard



Articulated Truck



TRACTOR SECTIONS

	CHASSIS	100
	ENGINE	110
	TRANSMISSION	120
	TRANSMISSION DROPBOX	125
	DRIVELINE	130
	FRONT AXLE	140
	BRAKE PARTS	165
	SUSPENSION SYSTEM	180
	ELECTRICAL SYSTEM	190
	FUEL SYSTEM	200

	COOLING SYSTEM	210
	MAIN HYDRAULIC VALVE	215
	STEERING SYSTEM	220
	BODY HOIST SYSTEM	230
	BRAKING SYSTEM	250
	CAB	260
	DECALS	290
	MISCELLANEOUS	300
		
		

TABLE OF CONTENTS FOR MODEL TA35 G7 OCDB TRACTOR

FROM SERIAL NO A9461011

06/08

SECT-PAGE-PLI	DESCRIPTION	SERIAL NO. EFFECTIVITY	REVISION AND DATE
SECTION 100	CHASSIS		
100-0010-9471	CHASSIS		R1 11/07
100-0030-9471	SOUND INSULATION		
100-0040-9471	HOOD AND MOUNTING		
100-0070-9471	FENDERS AND MOUNTING		R1 10/07
100-0085-9471	PIVOT & ACCUMULATOR GUARD		
100-0135-9471	ROCK AND SUMP GUARDS		
SECTION 110	ENGINE		
110-0020-9471	ENGINE ORDERING INSTRUCTIONS		
110-0030-9471	ENGINE AND MOUNTING		R1 06/08
110-0050-9471	AIR CLEANER ASSEMBLY		
110-0060-9471	AIR CLEANER MOUNTING PIPES AND HOSES		
110-0070-9471	EXHAUST AND MOUNTING		R4 06/08
SECTION 120	TRANSMISSION		
120-0010-9471	TRANSMISSION MOUNTING		R1 02/08
120-0020-9471	TRANSMISSION BREAKDOWN		
120-0040-9471	P1 PLANETARY GROUP		
120-0045-9471	P2 PLANETARY GROUP		
120-0046-9471	P3 PLANETARY & REAR COVER/RETARDER		
120-0050-9471	CONTROL VALVE		
120-0070-9471	SHIFT CONTROL		
120-0090-9471	POWER TAKE-OFF MAIN PUMP		
120-0100-9471	TRANS OIL FILTERS		
120-0125-9471	OIL COOLER GROUP		
120-0135-9471	FRONT SUPPORT & OIL PUMP		
120-0200-9471	FRONT COVER & CONVERTER GROUP		
120-0210-9471	CONVERTER HOUSING GROUP		
120-0215-9471	FLEXPLATE AND ADAPTOR		
120-0225-9471	ROTATING CLUTCH		
120-0235-9471	MAIN SHAFT		
120-0255-9471	RETARDER CONTROLS		
120-0290-9471	MAIN HOUSING GROUP		

TABLE OF CONTENTS FOR MODEL TA35 G7 OCDB TRACTOR

FROM SERIAL NO A9461011

06/08

SECT-PAGE-PLI	DESCRIPTION	SERIAL NO. EFFECTIVITY	REVISION AND DATE
<u>SECTION 125</u>	<u>TRANSMISSION DROPBOX</u>		
125-0010-9471	DROPBOX MOUNTING		
125-0020-9471	DROPBOX ASSEMBLY		
125-0025-9471	CONTROL VALVE-DROPBOX		R1 11/07
125-0026-9471	PRESSURE RELIEF VALVE-DROPBOX		11/07
125-0030-9471	EMERGENCY STEERING PUMP ASSEMBLY		
125-0035-9471	PUMP ASSEMBLY-DROPBOX		
125-0040-9471	DIFFERENTIAL-LOCK LINES & FTGS		R1 10/07
125-0045-9471	FILTER ASSEMBLY-DROPBOX	A9461011 TO A9461013	
125-0045-9471	FILTER ASSEMBLY-DROPBOX	A9461014	06/08
125-0050-9471	SUCTION FILTER ASSY-DROPBOX		
<u>SECTION 130</u>	<u>DRIVELINE</u>		
130-0010-9471	FRONT DRIVELINE		
<u>SECTION 140</u>	<u>FRONT AXLE</u>		
140-0010-9471	AXLE COMPLETE-FRONT		
140-0020-9471	AXLE GROUP-FRONT		
140-0030-9471	PLANETARY GEARING-FRONT		
140-0040-9471	WHEEL, RIM AND TYRE-FRONT		
140-0060-9471	DIFFERENTIAL-FRONT		
<u>SECTION 165</u>	<u>BRAKE PARTS</u>		
165-0015-9471	BRAKE ASSEMBLY-OCDB(ARTICS)		R1 06/08
<u>SECTION 180</u>	<u>SUSPENSION SYSTEM</u>		
180-0020-9471	FRONT SUSPENSION		R2 10/07
<u>SECTION 190</u>	<u>ELECTRICAL SYSTEM</u>		
190-0010-9471	TERMINALS		
190-0011-9471	CONNECTORS		
190-0030-9471	CABLES/HARNESSES-CAB	A9461011 TO A946 TBA	
190-0030-9471	CABLES/HARNESSES-CAB	A946 TBA	06/08
190-0040-9471	CABLES/HARNESSES-CHASS/ENG		R1 11/07
190-0070-9471	BATTERY AND CABLES		R1 06/08
190-0080-9471	BATTERY MOUNTING		
190-0085-9471	ECU-HYD.SYSTEM MONITORING		R2 10/07
190-0100-9471	ELECTRICAL LIGHTING SYSTEM		
190-0110-9471	ALTERNATOR AND MOUNTING		
190-0120-9471	STARTER		
190-0270-9471	SWITCHES AND SENSORS		

TABLE OF CONTENTS FOR MODEL TA35 G7 OCDB TRACTOR

FROM SERIAL NO A9461011

06/08

SECT-PAGE-PLI	DESCRIPTION	SERIAL NO. EFFECTIVITY	REVISION AND DATE
<u>SECTION 190</u>	<u>ELECTRICAL SYSTEM-CONTINUED</u>		
190-0300-9471	RADIO CASSETTE AND SPEAKERS		
190-0310-9471	ELECTRICAL HORN		
<u>SECTION 200</u>	<u>FUEL SYSTEM</u>		
200-0010-9471	FUEL TANK AND MOUNTING	A9461011 TO A9461012	
200-0010-9471	FUEL TANK AND MOUNTING	A9461013	10/07
200-0040-9471	FUEL LINES	A9461011 TO A9461012	
200-0040-9471	FUEL LINES	A9461013	01/08
<u>200-0050-9471</u>	<u>ACCELERATOR CONTROLS</u>		<u>R1 06/08</u>
<u>SECTION 210</u>	<u>COOLING SYSTEM</u>		
210-0015-9471	COMBINATION COOLER RH		
210-0016-9471	COMBINATION COOLER LH		
210-0020-9471	RADIATOR MOUNTING		
<u>210-0025-9471</u>	<u>RADIATOR FAN MOTOR-HYD LINES</u>		<u>R5 06/08</u>
210-0030-9471	RADIATOR PIPING		
210-0035-9471	CHARGE AIR COOLER & PIPING		R1 10/07
210-0040-9471	RADIATOR HEADER TANK & HOSES		R1 10/07
210-0044-9471	FAN DISCONNECT VALVE		
210-0045-9471	LOW TEMP UNLOADER VALVE		
210-0052-9471	OIL COOLING LINES-DISC BRAKES		R2 02/08
210-0062-9471	TRANS OIL COOLER LINES	A9461011 TO A9461014	
210-0062-9471	TRANS OIL COOLER LINES	A9461015	R1 02/08
<u>210-0063-9471</u>	<u>DROPBOX OIL COOLING & LUBE LINES</u>		<u>R3 06/08</u>
210-0100-9471	OIL COOLER AND LINES-HYDRAULIC	A9461011 TO A9461012	
210-0100-9471	OIL COOLER AND LINES-HYDRAULIC	A9461013	01/08
<u>SECTION 215</u>	<u>MAIN HYDRAULIC VALVE</u>		
215-0050-9471	MAIN HYDRAULIC VALVE ASSY		R1 11/07
<u>SECTION 220</u>	<u>STEERING SYSTEM</u>		
<u>220-0010-9471</u>	<u>STEERING LINES</u>		<u>R1 06/08</u>
220-0090-9471	STEERING VALVE		
220-0120-9471	STEERING CYLINDER		
220-0140-9471	EMERGENCY STEERING VALVE		
220-0230-9471	STEERING COLUMN MOUNTING		

TABLE OF CONTENTS FOR MODEL TA35 G7 OCDB TRACTOR

FROM SERIAL NO A9461011

06/08

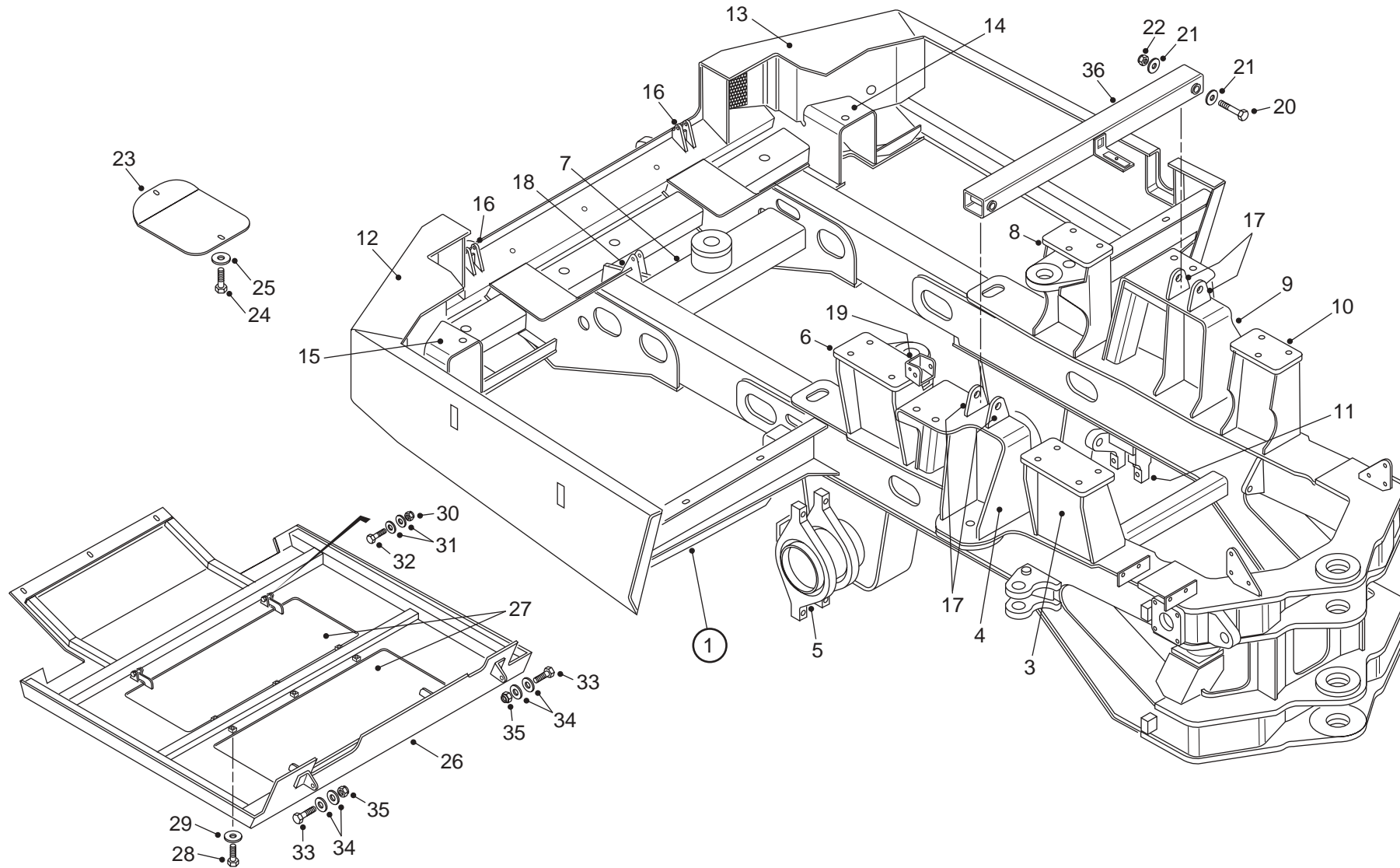
SECT-PAGE-PLI	DESCRIPTION	SERIAL NO. EFFECTIVITY	REVISION AND DATE
<u>SECTION 230</u>	<u>BODY HOIST SYSTEM</u>		
230-0020-9471	LINES AND FITTINGS-BODY HOIST		
230-0050-9471	MAIN HYDRAULIC PUMP ASSEMBLY	A9461011 TO A9461013	R1 02/08
230-0050-9471	MAIN HYDRAULIC PUMP ASSEMBLY	A9461014	06/08
230-0055-9471	PORTING BLOCK-MAIN PUMP		
230-0081-9471	JOYSTICK-BODY CONTROL		
230-0135-9471	LOAD SENSE CONTROL VALVE		10/07
<u>SECTION 250</u>	<u>BRAKING SYSTEM</u>		
250-0020-9471	BRAKE LINES-HYDRAULIC		R3 06/08
250-0025-9471	BRAKE COOLANT/HYDRAULIC TANK	A9461011 TO A9461012	R2 10/07
250-0025-9471	BRAKE COOLANT/HYDRAULIC TANK	A9461013	R2 06/08
250-0026-9471	HYDRAULIC TANK PRESSURISATION		R2 06/08
250-0045-9471	MOTOR/TRIPLE PUMP ASSEMBLY		
250-0060-9471	BRAKE ACCUMULATOR		
250-0070-9471	TREADLE VALVE (MICO)		R1 01/08
250-0240-9471	FILTER ASSY-OCDB		
<u>SECTION 260</u>	<u>CAB</u>		
260-0010-9471	CAB ASSEMBLY		R1 01/08
260-0015-9471	CAB MOUNTING		
260-0018-9471	CAB TILT MECHANISM		
260-0030-9471	CAB DOOR-LEFT HAND		
260-0080-9471	SWITCHES AND INSTRUMENTS	A9461011 TO A946 TBA	
260-0080-9471	SWITCHES AND INSTRUMENTS	A946 TBA	R2 06/08
260-0090-9471	SEAT-DRIVER		
260-0110-9471	SEAT-INSTRUCTOR		
260-0130-9471	AIR CONDITIONER/HEATER		
260-0140-9471	HEATER LINES AND WIRING		R1 11/07
260-0145-9471	AIR CONDITIONER LINES		
260-0190-9471	WINDSCREEN WASHER		
<u>SECTION 290</u>	<u>DECALS</u>		
290-0010-9471	DECALS-ENGLISH (ISO)		R2 02/08
290-0100-9471	WALKWAY SURFACES (ANTI-SLIP)		
<u>SECTION 300</u>	<u>MISCELLANEOUS</u>		
300-0040-9471	MULTI-TUBE CLAMPS AND HARDWARE		
300-0045-9471	POLYPROPELENE CLAMPS		
300-0200-9471	UNIT FILTERS & ELEMENT KITS		06/08

R1 11/07 (ECN 109096)

100-0010-9471 CHASSIS
FROM SERIAL NO. A9461011

DRAWING NO. P11828

P11828



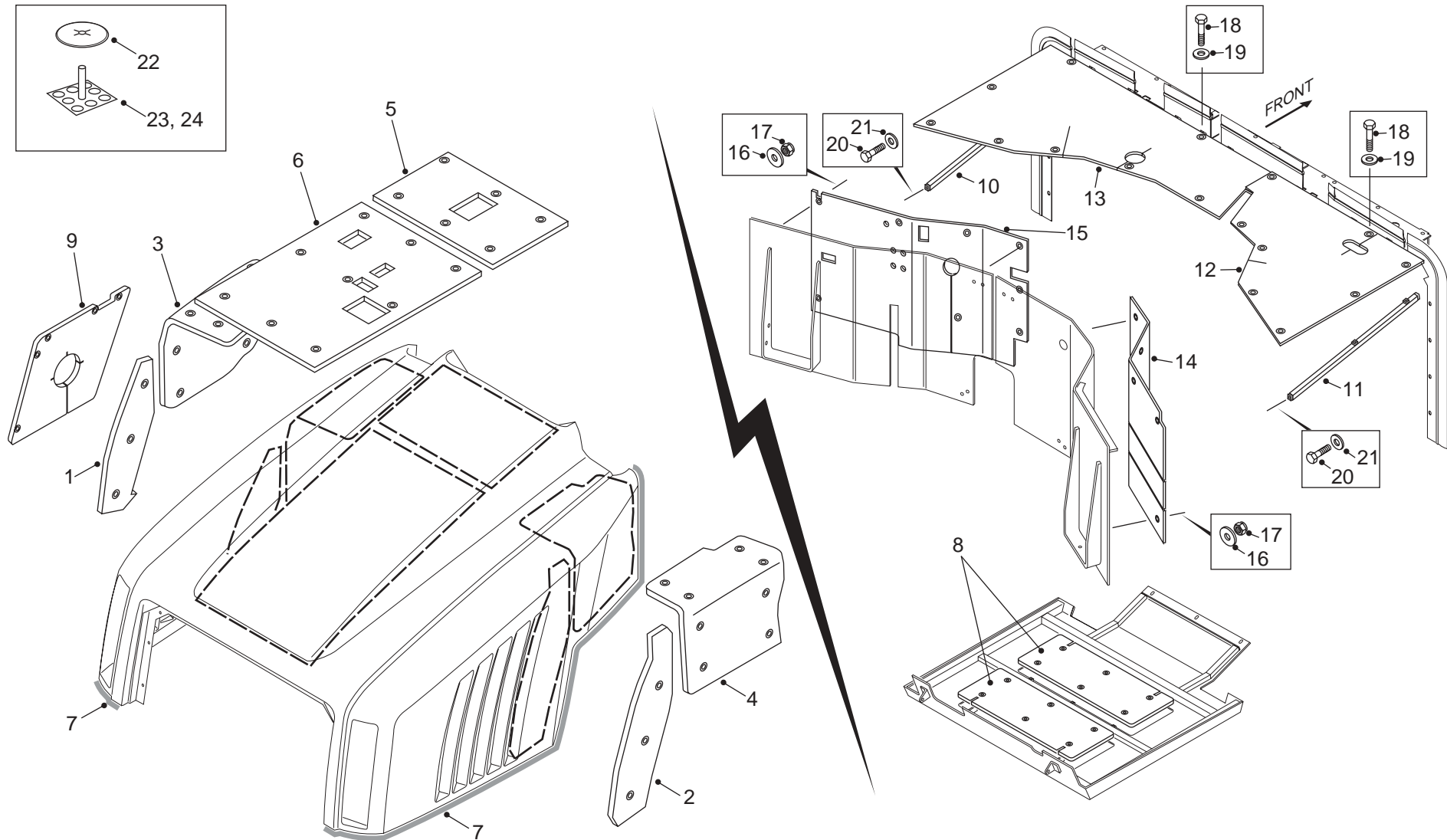
100-0010-9471 CHASSIS
FROM SERIAL NO. A9461011

NC	REF	QTY	PART NO.	DESCRIPTION	SER.NO. FROM	SER.NO. TO
001	001		15323646	FRAME ASSY-TRACTOR		
002	001		15319635	.FRAME-FRONT SUB ASSY		
003	001		15319764	.CAB MOUNT ASSY		
004	001		15319726	.SUSPENSION MOUNT-LH		
005	001		15320693	.SUSPENSION FRAME		
006	001		15319763	.CAB MOUNT ASSY		
007	001		15319684	.CROSSMEMBER		
008	001		15319098	.CAB MOUNT ASSY		
009	001		15319727	.SUSPENSION MOUNT-RH		
010	001		15319099	.CAB MOUNT ASSY		
011	001		15319712	.BRACKET ASSY(PANHARD)		
012	001		15322887	.HEADLIGHT PLATE ASSY-LH		
013	001		15322888	.HEADLIGHT PLATE ASSY-RH		
014	001		15322718	.PLATE-TANK SUPPORT-RH		
015	001		15322717	.PLATE-TANK SUPPORT-LH		
016	002		15322886	.HOOD HINGE ASSY		
017	004		15319780	.PLATE-CROSSMEMBER		
018	001		15321276	.HOOD PROP FRAME ASSY		
019	001		15323495	.BRACKET-CAB PROP		
020	002		15330267	BOLT-M24		
021	004		15234742	WASHER		
022	002		06642401	LOCKNUT		
023	001		15322527	PANEL-ACCESS COVER		
024	002		06351220	BOLT		
025	002		07161230	LOCKWASHER		
026	001		15330134	SUMP GUARD ASSY		
027	002		15324298	.INSPECTION COVER		
028	006		06351230	.BOLT		
029	006		09217321	.WASHER		
030	004		06351035	.BOLT		
031	008		07151020	.WASHER		
032	004		06471001	.LOCKNUT		
033	002		06351655	BOLT		
034	004		07151630	WASHER		
035	002		06471601	LOCKNUT		
036	001		15323047	CROSSMEMBER ASSY		

100-0030-9471 SOUND INSULATION
FROM SERIAL NO. A9461011

DRAWING NO. P11922

P11922



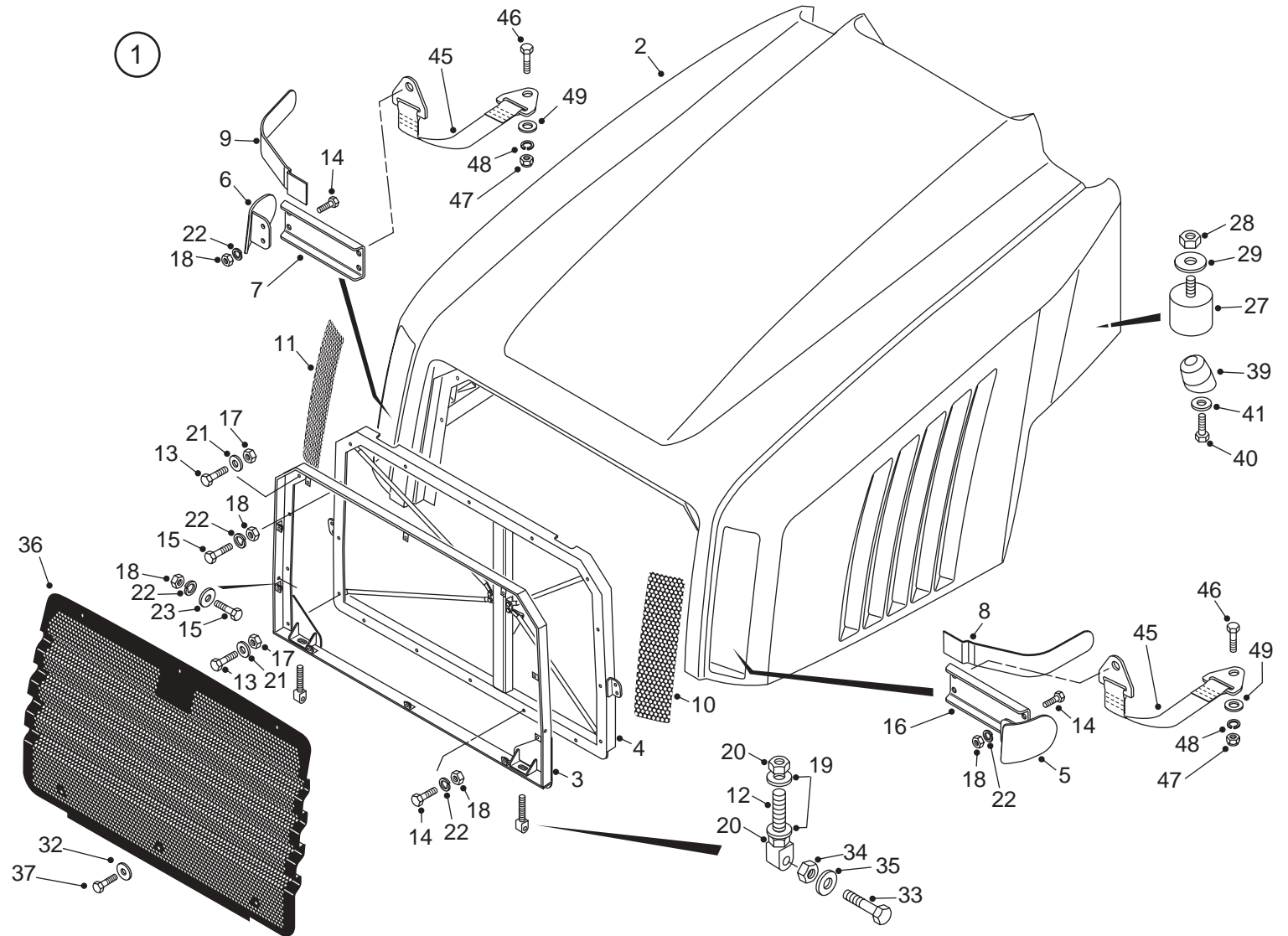
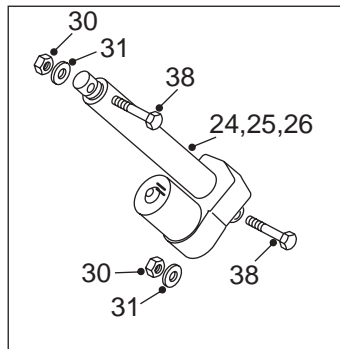
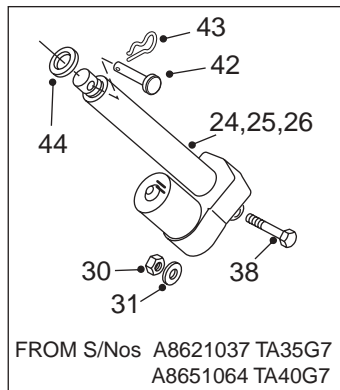
100-0030-9471 SOUND INSULATION
 FROM SERIAL NO. A9461011

NC	REF	QTY	PART NO.	DESCRIPTION	SER.NO. FROM	SER.NO. TO
001	001		15333049	QUILT-HOOD RIGHT/MID		
002	001		15333051	QUILT-HOOD LEFT/MID		
003	001		15333055	QUILT-HOOD RIGHT/MID		
004	001		15333057	QUILT-HOOD LEFT/REAR		
005	001		15333059	QUILT-HOOD TOP/REAR		
006	001		15333060	QUILT-HOOD TOP/FRONT		
007	ASR		15319946	LIP SEAL		
008	002		15333041	QUILT-SUMP GUARD		
009	001		15333063	QUILT-AIR INTAKE		
010	001		15333020	TIE BAR ASSY		
011	001		15333022	TIE BAR ASSY		
012	001		15334216	QUILT-ENGINE/RADIATOR		
013	001		15334213	QUILT-ENGINE/RADIATOR		
014	001		15333032	QUILT-ENGINE/RADIATOR		
015	001		15333037	QUILT-ENGINE/RADIATOR		
016	015		15316089	WASHER		
017	015		06470601	LOCKNUT		
018	013		06351030	BOLT		
019	013		00106264	WASHER		
020	004		06351025	BOLT		
021	004		07151020	WASHER		
022	ASR		15501136	CAP		
023	ASR		15503209	STUD-LONG 55MM		
024	ASR		15503210	STUD-SHORT 35MM		

100-0040-9471 HOOD AND MOUNTING
FROM SERIAL NO. A9461011

DRAWING NO. P11882

P11882



100-0040-9471 HOOD AND MOUNTING
FROM SERIAL NO. A9461011

100-0040-9471 HOOD AND MOUNTING
FROM SERIAL NO. A9171011

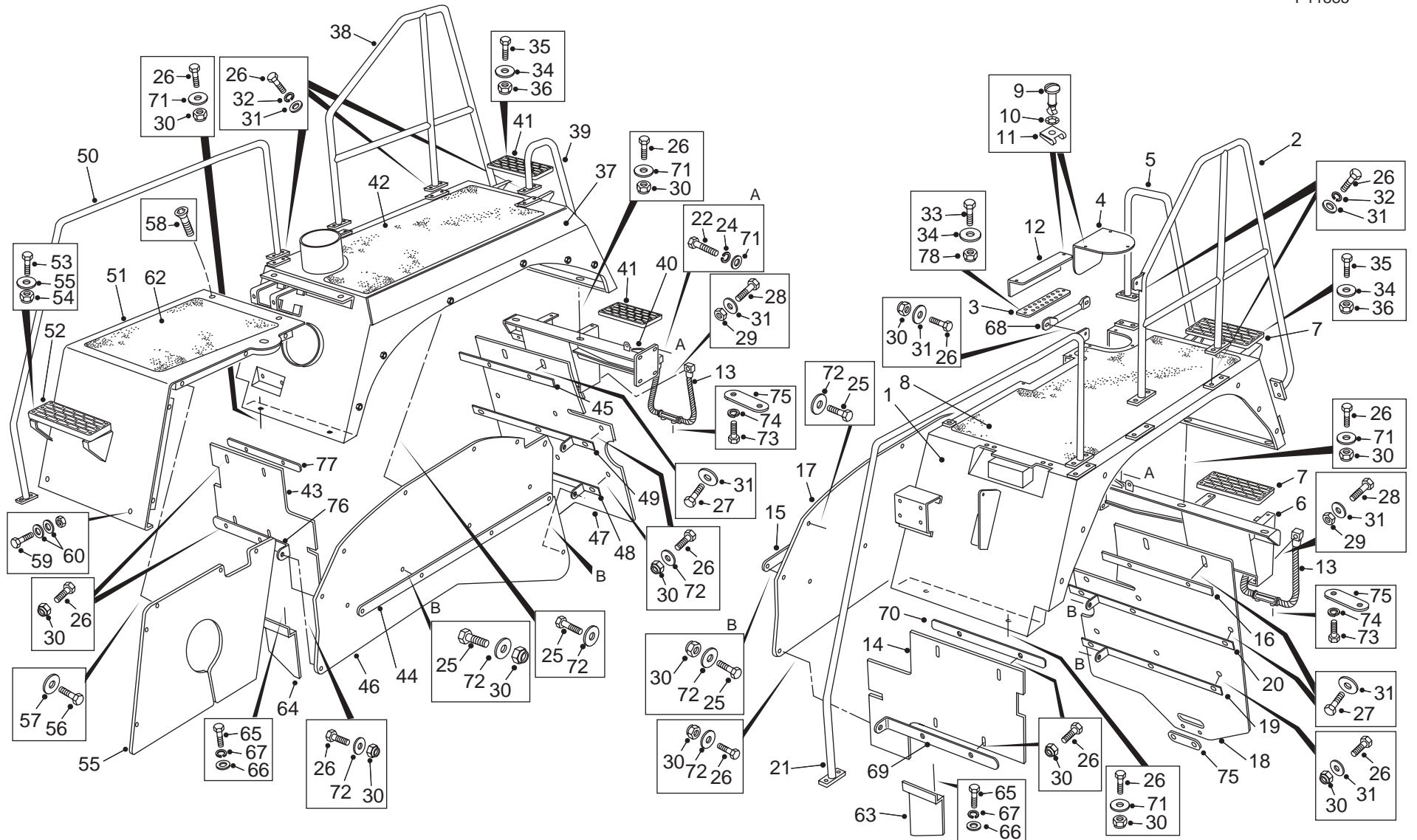
NC	REF	QTY	PART NO.	DESCRIPTION	SER.NO. FROM	SER.NO. TO
----	-----	-----	----------	-------------	-----------------	---------------

NC	REF	QTY	PART NO.	DESCRIPTION	SER.NO. FROM	SER.NO. TO
----	-----	-----	----------	-------------	-----------------	---------------

001	001		15321271	HOOD ASSY		
002	001		15321272	.HOOD-BASIC		
003	001		15321273	.REINFORCEMENT ASSY-FT		
004	001		15321274	.REINFORCEMENT ASSY-REAR		
005	001		15321296	.BRACKET ASSY-LHS		
006	001		15321297	.BRACKET ASSY-RHS		
007	001		15321298	.PLATE-JOINING-RHS		
008	001		15321714	.PLATE BENT-LHS		
009	001		15321715	.PLATE BENT-RHS		
010	001		15321940	.GRILLE FRONT-LHS		
011	001		15321941	.GRILLE FRONT-RHS		
012	002		15313179	.ROD-ADJUSTMENT		
013	004		06350830	.BOLT		
014	013		06351025	.BOLT		
015	009		06351030	.BOLT		
016	001		15332661	.PLATE JOINING-LHS		
017	004		06430801	.NUT		
018	022		06431001	.NUT		
019	004		09250715	.WASHER-HARDENED		
020	004		06432001	.NUT		
021	008		00103340	.WASHER		
022	022		07161030	.LOCKWASHER		
023	002		15244714	.WASHER-HARDENED		
024	001		15321275	ACTUATOR ASSY		
025	001		15502078	.KIT-MOTOR REPLACEMENT		
026	001		15502079	.KIT-SEALING		
027	002		15322231	CUP-RUBBER		
028	002		06431201	NUT		
029	002		09267949	WASHER-HARDENED		
030	002		06431201	NUT		
031	002		07151220	WASHER		
032	010		00106263	WASHER		
033	002		06351675	BOLT		
034	002		15252584	NUT		
035	002		07151630	WASHER		
036	001		15321282	GRILLE		
037	010		06351030	BOLT		
038	002		06351260	BOLT		
039	002		15332584	CONE		
040	002		06351220	BOLT		

041	002		09267949	WASHER-HARDENED		
042	001		15335434	CLEVIS PIN		
043	001		15335435	R-CLIP		
044	ASR		15335446	SPACER 5MM		
044	ASR		15335445	SPACER 15MM		
044	ASR		15335310	SPACER 33MM		
045	002		15335906	STRAP-HOOD RETAINING		
046	002		06351025	BOLT		
047	002		06431001	NUT		
048	002		07161030	LOCKWASHER		
049	002		07151020	WASHER		

100-0070-9471 FENDERS AND MOUNTING
FROM SERIAL NO. A9461011



100-0070-9471 FENDERS AND MOUNTING
FROM SERIAL NO. A9461011

NC	REF	QTY	PART NO.	DESCRIPTION	SER.NO. FROM	SER.NO. TO
001	001		15323684	FENDER ASSY-LH		
002	002		15332628	HANDRAIL-OUTER		
003	001		15323203	DIAGNOSTIC PANEL		
004	001		15323239	COVER-ACCESS PANEL		
005	001		15323683	HANDRAIL-INNER LH		
006	001		15323667	SUPPORT ARM-LH		
007	008		15320662	TREADPLATE-STEP		
008	001		15323678	ANTI-SLIP WALKWAY		
009	005		15323231	DZUZ FASTENER		
010	005		15323826	DZUZ RETAINER		
011	005		15323232	DZUZ RECEPTICLE		
012	001		15323229	COVER-DIAG. PANEL		
013	002		15303970	WIRE STEP		
014	001		15332504	FENDER LINER-FRONT		
015	001		15331295	FENDER LINER REINF.		
016	001		15331289	MOUNT-FENDER EXTN.		
017	001		15331251	RUBBER FENDER LINER		
018	001		15331227	RUBBER FENDER EXTN LH		
019	001		15331228	MOUNT-FENDER EXTN		
020	001		15331229	MOUNT-FENDER EXTN		
021	001		15323748	HANDRAIL LH		
022	008		15311176	BOLT		
023	008		07151630	WASHER		
024	008		07161630	LOCKWASHER		
025	028		06351225	BOLT		
026	056		06351230	BOLT		
027	004		06351235	BOLT		
028	006		15244017	BOLT		
029	004		06431201	NUT		
030	040		06471201	LOCKNUT		
031	118		07151220	WASHER		
032	056		07161230	LOCKWASHER		
033	002		06351025	BOLT		
034	032		07151020	WASHER		
035	032		15244817	SCREW		
036	032		06471001	LOCKNUT		
037	001		15331147	FENDER ASSY-RH	A9461011	A946 TBA
037	001		15339383	FENDER ASSY-RH	A946 TBA	
038	001		15323682	HANDRAIL-OUTER		
039	001		15331212	HANDRAIL-INNER RH		

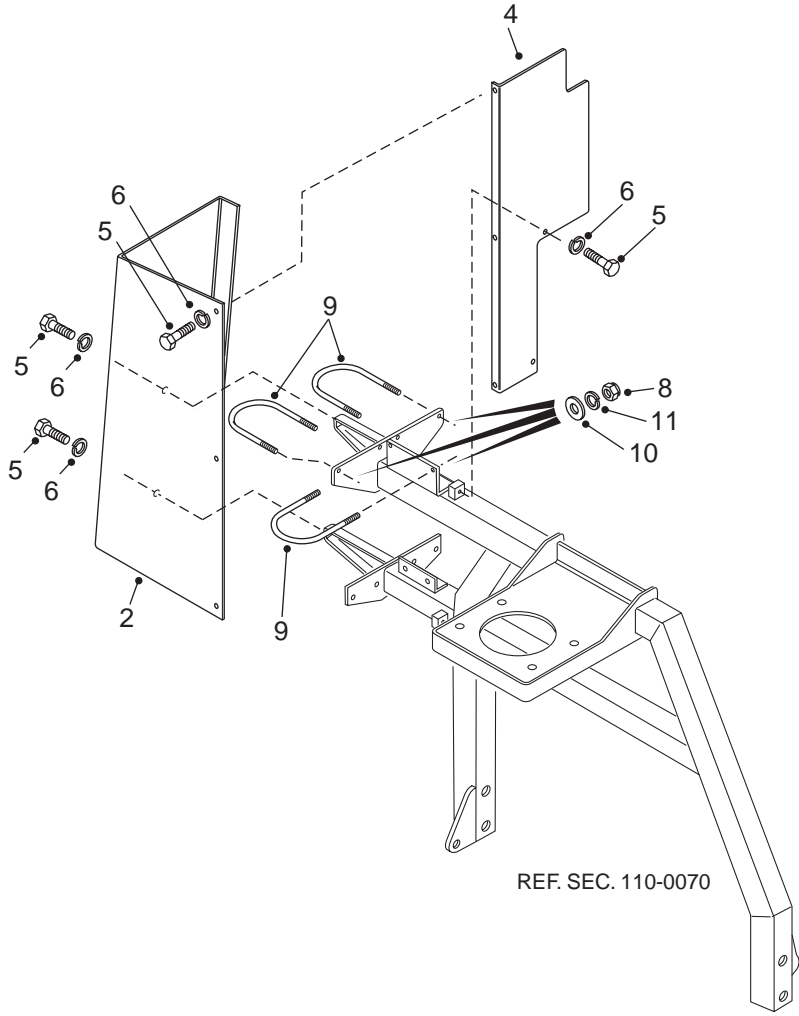
100-0070-9471 FENDERS AND MOUNTING
FROM SERIAL NO. A9461011

NC	REF	QTY	PART NO.	DESCRIPTION	SER.NO. FROM	SER.NO. TO
040	001		15331211	SUPPORT ARM ASSY-RH		
041	004		15320662	TREADPLATE-STEP		
042	001		15331159	WALKWAY (ANTI SLIP)		
043	001		15332504	FENDER LINER-FRONT		
044	001		15331295	FENDER LINER REINFORCING		
045	001		15331288	FENDER MTG PLATE		
046	001		15331251	RUBBER-FENDER LINER		
047	001		15331287	RUBBER-FENDER LINER		
048	001		15331228	MOUNT-FENDER EXTN		
049	001		15331229	MOUNT-FENDER EXTN		
050	001		15323749	HANDRAIL RH		
051	001		15330251	PLATFORM ASSY		
052	001		15320662	.TREADPLATE-STEP		
053	004		00181400	.BOLT		
054	004		09354846	.LOCKNUT		
055	004		07151020	.WASHER		
056	005		06351025	BOLT		
057	005		07151020	WASHER		
058	002		15310942	SOCKET SCREW		
059	002		06351250	BOLT		
060	004		07151220	WASHER		
061	002		06471201	NUT		
062	001		15332714	WALKWAY-ANTI SLIP		
063				NOT USED		
064				NOT USED		
065	004		06350820	BOLT		
066	004		07150815	WASHER		
067	004		07160830	WASHER		
068	001		15332664	FILLER-HANDRAIL		
069	001		15332502	PLATE-BENT		
070	001		15332503	PLATE		
071	016		09267660	WASHER-HDN		
072	028		09024430	WASHER		
073	004		06350825	BOLT		
074	004		07160830	LOCKWASHER		
075	004		15334927	PLATE		
076	001		15332502	PLATE-MOUNT LINER		
077	001		15332503	PLATE-MOUNT LINER		
078	001		15330253	RUBBER COVER		

100-0085-9471 PIVOT AND ACCUMULATOR GUARDS
FROM SERIAL NO. A9461011

DRAWING NO. P11787

P11787



REF. SEC. 110-0070

