

Terex Ta35 Articulated Truck Parts Book

Full download for manual please click here for [click here for](#) [click here for](#) [click here for](#) [click here for](#)

[CLICK HERE FOR
TRACTOR
TABLE OF CONTENTS](#)

[CLICK HERE FOR
TRACTOR OPTIONAL
TABLE OF CONTENTS](#)

[CLICK HERE FOR
TRAILER
TABLE OF CONTENTS](#)

[CLICK HERE FOR
TRAILER OPTIONAL
TABLE OF CONTENTS](#)



TEREX

Parts Book

[CLICK HERE TO RETURN TO
MAIN LIBRARY INDEX](#)

**Part Number
15274298**

TA35 Articulated Truck

(Detroit Diesel Series 60 Powered)

From Serial No. A7761244

Sept 00
Revised Jan 02

PUBLISHED BY:
PRODUCT SUPPORT DEPARTMENT

TEREX EQUIPMENT LIMITED
MOTHERWELL, SCOTLAND

THIS PAGE IS INTENTIONALLY LEFT BLANK



WARRANTY ON PARTS AND ATTACHMENTS

Terex Equipment Limited warrants that for a period of six months after sale of new Terex replacement parts or attachments by an authorised Terex dealer it will repair, or at its option, replace any defective or malfunctioning part or attachment. This warranty covers only malfunctions resulting from defects in material or workmanship.

This warranty does not cover malfunctions resulting from negligence, alteration, accident or overloading; use for a purpose for which the part or attachment is not designed or approved by Terex; loss of time, inconvenience, loss of use of the vehicle or other consequential damages; or labour for removal or reinstallation of defective or malfunctioning parts or attachments.

Repairs or replacements qualifying under this warranty will be performed by any authorised Terex dealer within a reasonable time following delivery of the malfunctioning part or attachment to the dealer's place of business.

Defective or malfunctioning parts or attachments must be delivered to an authorised Terex dealer's place of business during regular business hours for warranty repairs or replacements. The dealer must be furnished with the purchaser's copy of the sales slip or repair order to validate date of purchase.

* * * * *

SOLE WARRANTY

This is the only express warranty applicable to new Terex parts and attachments sold by Terex dealers and Terex neither assumes nor authorises anyone to assume for it any other obligation or liability in connection with such parts or attachments.

THIS PAGE IS INTENTIONALLY LEFT BLANK

INSTRUCTIONS FOR USE OF TEREX PARTS BOOK

This Parts Book is divided into Major Sections which cover components corresponding to specific areas of the machine.

Printed at the top left hand corner of each Parts Page is an Index Code which includes three numbers - the first of these relates to a Major Section, the second indicates a Sub-section within a Major Section and the last the model PLI number. Certain Major Sections may not apply to the particular model covered in this Parts Book and, consequently, will be omitted.

An illustrated Index page shows all the Major Component Section numbers included in the book. For example -

SECTION 100 - CHASSIS SECTION 140 - FRONT AXLE GROUP SECTION 230 - BODY HOIST SYSTEM etc.

Major Component Sections are listed in the 'Table Of Contents' pages together with Sub-section headings.
For example to locate the serviceable items of a Steering Cylinder -

1. The Table of Contents shows the steering components to be in Major Section 220.
2. The steering cylinder is listed in Major Section 220, Sub-section 0120
3. Select the Parts Page Code that applies to the unit Serial number for which parts are needed and locate the Page with reference number.
EXAMPLE - 220-0120.

SERIAL NUMBERS - Each Parts Book covers a particular range of unit Serial Numbers.

It is important that unit Serial Numbers are quoted on all orders for Parts.

PARTS LISTS - Parts Forms usually consist of detailed parts information listed on one page together with a parts illustration on the opposite page. The parts list is printed in the order of the reference numbers shown on the parts illustration. The first column lists Note Letters; the second lists the reference numbers; the third shows quantity required and the fourth gives the parts descriptions. Parts which are part of an assembly have their descriptions indented beneath the assembly description.

ILLUSTRATIONS - These show typical assemblies and individual piece parts. They are intended for general reference only and may not always show exact details of parts. Parts are identified on each illustration with an item number. Note the item number of the part required and locate it in the parts list. The part number opposite the item number is the part to order.

INDENTATIONS - Parts which are indented under another part are Sub-groups of a Major Assembly or Sub-assembly. Parts which are not indented are major assemblies or individual component parts which do not belong to a major assembly.

EXAMPLE - 1 9052564 Pump Assy.
 2 9058512 . Shaft
 3 9024169 . Ring
 4 9058132 . Control Assy.
 5 9058135 . . Spring
 6 9072162 Gasket

- If you order Item 1, you will receive Items 1 - 5.
- If you order Item 4, you will receive Items 4 and 5.
- If you order Item 6, you will receive only Item 6.

NOTES - Whenever there is an alphabetical symbol to the left of the item number, refer to the corresponding note at the bottom of the form for information regarding ordering or application of the particular part number(s) noted.

ABBREVIATIONS - The abbreviations in this book have the following meanings -

Amps	Amperes	Hsg	Housing	N.I	Not Illustrated
As R	As Required	I.D	Inside Diameter	N.L.A	No Longer Available
Assy	Assembly	L.H	Left Hand	N.S.S	Not Sold Separately
Brkt	Bracket	L.W	Lockwasher	O.D	Outside Diameter
Cad-Pltd	Cadium Plated	Lg	Long	Pr	Pair
Comm	Commencement of production	Lkg	Linkage	P.T.O	Power-Take-Off
E.S.N	Elastic Stop Nut	Mtg	Mounting	R.H	Right Hand
Ftgs	Fittings	N.C	Note Code	Std	Standard



Articulated Truck



TRACTOR SECTIONS



CHASSIS

100



ENGINE

110



TRANSMISSION

120



DRIVELINE

130



FRONT AXLE

140



BRAKE PARTS

165



SUSPENSION SYSTEM

180



ELECTRICAL SYSTEM

190



FUEL SYSTEM

200



COOLING SYSTEM

210



STEERING SYSTEM

220



BODY SYSTEM

230



BRAKING SYSTEM

250



CAB

260



DECALS

290



TABLE OF CONTENTS FOR MODEL TA35 DD

FROM SERIAL NO. A7761244

28/01/02

SECT-PAGE-PLI DESCRIPTION

SECTION 100 CHASSIS

100-0010-7571 CHASSIS	R2 02/01
100-0040-7571 HOOD AND MOUNTING	R2 06/01
100-0040-7571 HOOD AND MOUNTING	06/01
100-0070-7571 FENDERS AND MOUNTING	R2 02/01
100-0070-7571 FENDERS AND MOUNTING	02/01

SECTION 110 ENGINE

110-0030-7571 ENGINE AND MOUNTING	R3 08/01
110-0050-7571 AIR CLEANER	R1 02/01
110-0050-7571 AIR CLEANER	02/01
110-0060-7571 AIR CLEANER PIPES AND HOSES	R2 02/01
110-0060-7571 AIR CLEANER PIPES AND HOSES	02/01
110-0070-7571 EXHAUST AND MOUNTING	R2 08/01
110-0070-7571 EXHAUST AND MOUNTING	08/01
110-0140-7571 COUPLING	R1 01/02
110-0140-7571 COUPLING	01/02

SECTION 120 TRANSMISSION

120-0010-7571 TRANSMISSION AND MOUNTING	R3 06/01
120-0020-7571 TRANSMISSION BREAKDOWN	R1 01/02
120-0020-7571 TRANSMISSION BREAKDOWN	01/02
120-0050-7571 CONTROL VALVE	R1 06/01
120-0070-7571 SHIFT CONTROL	R2 02/01
120-0070-7571 SHIFT CONTROL	02/01
120-0100-7571 FILTER	R1 06/01
120-0110-7571 OIL LINES-TRANSMISSION	R2 08/01
120-0220-7571 OIL PUMP	R1 06/01
120-0390-7571 TORQUE CONVERTER	R1 06/01
120-0400-7571 LUBRICATION PIPES	R1 06/01
120-0410-7571 INDUCTIVE TRANSMITTER	R1 06/01
120-0430-7571 ELECTRIC SHIFT CONTROL VALVE	R1 06/01
120-0440-7571 GEARSHIFT	R2 06/01
120-0450-7571 GEARBOX HOUSING	R1 06/01
120-0460-7571 CLUTCH ASSEMBLY KV+K1	R1 06/01
120-0470-7571 CLUTCH ASSEMBLY KR+K2	R1 06/01
120-0480-7571 CLUTCH ASSEMBLY K4+K3	R1 06/01
120-0490-7571 RETARDER	R1 06/01
120-0491-7571 RETARDER OIL PIPES	R1 06/01
120-0500-7571 PTO MAIN HYDRAULIC PUMP	R1 06/01
120-0510-7571 POWER TAKE-OFF	R1 06/01

SECT-PAGE-PLI DESCRIPTION

SECTION 120 TRANSMISSION

120-0515-7571 EMERGENCY STEERING PUMP	R1 06/01
120-0520-7571 DRIVE ASSEMBLY	R2 01/02
120-0530-7571 LAYSHAFT GEARING	R1 06/01
120-0540-7571 DIFFERENTIAL	R1 06/01
120-0550-7571 AXLE DISCONNECT	R1 06/01

SECTION 130 DRIVELINE

130-0010-7571 FRONT DRIVELINE	R2 02/01
130-0010-7571 FRONT DRIVELINE	R1 06/01
130-0010-7571 FRONT DRIVELINE	R1 01/02
130-0010-7571 FRONT DRIVELINE	01/02

SECTION 140 FRONT AXLE

140-0010-7571 AXLE COMPLETE-FRONT	R1 06/01
140-0010-7571 AXLE COMPLETE-FRONT	06/01
140-0020-7571 AXLE GROUP-FRONT	R1 06/01
140-0030-7571 PLANETARY GEARING-FRONT	R1 06/01
140-0040-7571 WHEEL, RIM AND TYRE-FRONT	
140-0060-7571 DIFFERENTIAL-FRONT	

SECTION 165 BRAKE PARTS

165-0010-7571 BRAKE PARTS-ARTICS	
----------------------------------	--

SECTION 180 SUSPENSION SYSTEM

180-0020-7571 FRONT SUSPENSION	R2 02/01
180-0020-7571 FRONT SUSPENSION	11/00

SECTION 190 ELECTRICAL SYSTEM

190-0010-7571 TERMINALS	
190-0011-7571 CONNECTORS	
190-0030-7571 CABLES/HARNESSES-CAB	R2 01/02
190-0040-7571 CABLES/HARNESSES-CHASS/ENG	R1 11/00
190-0070-7571 BATTERY AND CABLES	
190-0080-7571 BATTERY MOUNTING	
190-0100-7571 ELECTRICAL LIGHTING SYSTEM	R1 01/02
190-0110-7571 ALTERNATOR AND MOUNTING	
190-0120-7571 STARTER MOTOR AND MOUNTING	
190-0170-7571 FLOODLAMP/SPOTLIGHT/WORK LIGHT	01/02
190-0270-7571 SWITCHES AND SENSORS	R2 01/02

TABLE OF CONTENTS FOR MODEL TA35 DD

FROM SERIAL NO. A7761244

28/01/02

SECT-PAGE-PLI DESCRIPTION

SECTION 190 ELECTRICAL SYSTEM

190-0300-7571 RADIO CASSETTE & SPEAKERS R1 01/02
190-0300-7571 RADIO CASSETTE & SPEAKERS 01/02
 190-0310-7571 ELECTRICAL HORN

SECTION 200 FUEL SYSTEM

200-0010-7571 FUEL TANK AND MOUNTING
 200-0040-7571 FUEL LINES R1 11/00
 200-0050-7571 ACCELERATOR LINKAGE

SECTION 210 COOLING SYSTEM

210-0010-7571 RADIATOR ASSEMBLY R1 11/00
 210-0020-7571 RADIATOR MOUNTING
 210-0030-7571 RADIATOR PIPING R1 08/01
 210-0040-7571 RADIATOR HEADER TANK AND HOSES
 210-0060-7571 OIL COOLER AND PIPING-TRANS R1 08/01
 210-0065-7571 OIL COOLER
 210-0100-7571 OIL COOLER AND LINES-HYDRAULIC R2 08/01

SECTION 220 STEERING SYSTEM

220-0010-7571 STEERING LINES
 220-0050-7571 PUMP-STEERING
 220-0090-7571 STEERING VALVE
 220-0100-7571 FLOW AMPLIFIER VALVE
 220-0120-7571 STEERING CYLINDER
 220-0140-7571 EMERGENCY STEERING VALVE
 220-0230-7571 STEERING COLUMN MOUNTING

SECTION 230 BODY SYSTEM

230-0020-7571 LINES AND FITTINGS-BODY HOIST R1 06/01
 230-0021-7571 SERVO CONTROL LINES-BODY R1 11/00
230-0040-7571 TANK AND MOUNTING-BODY HOIST R1 01/02
 230-0060-7571 CONTROL VALVE-BODY HOIST
 230-0081-7571 JOYSTICK-BODY CONTROL R1 06/01
 230-0081-7571 JOYSTICK-BODY CONTROL 06/01
 230-0121-7571 PILOT SUPPLY VALVE

SECTION 250 BRAKING SYSTEM

250-0020-7571 BRAKE LINES-HYDRAULIC R1 11/00
 250-0040-7571 BRAKE PUMP
 250-0050-7571 BRAKE MANIFOLD/PAS VALVE R1 11/00

SECT-PAGE-PLI DESCRIPTION

SECTION 250 BRAKING SYSTEM

250-0060-7571 BRAKE ACCUMULATOR
 250-0070-7571 TREADLE VALVE
 250-0090-7571 DIRECTIONAL CONTROL VALVE

SECTION 260 CAB

260-0010-7571 CAB ASSEMBLY R2 02/01
 260-0010-7571 CAB ASSEMBLY R1 06/01
260-0010-7571 CAB ASSEMBLY R2 01/02
 260-0015-7571 CAB MOUNTING R2 02/01
 260-0015-7571 CAB MOUNTING R1 06/01
 260-0030-7571 CAB DOOR-LEFT HAND R1 08/01
 260-0080-7571 SWITCHES AND INSTRUMENTS R3 06/01
 260-0090-7571 SEAT-DRIVER R2 08/01
 260-0090-7571 SEAT-DRIVER 08/01
 260-0110-7571 SEAT-PASSENGER
 260-0130-7571 AIR CONDITIONER/HEATER R1 11/00
 260-0140-7571 HEATER LINES AND WIRING R1 11/00
260-0145-7571 AIR CONDITIONING LINES R3 01/02
260-0145-7571 AIR CONDITIONING LINES 01/02
 260-0190-7571 WINDSCREEN WASHER

SECTION 290 DECALS

290-0010-7571 DECALS-ENGLISH R1 06/01
 290-0010-7571 DECALS-ENGLISH 06/01

THIS PAGE IS INTENTIONALLY LEFT BLANK

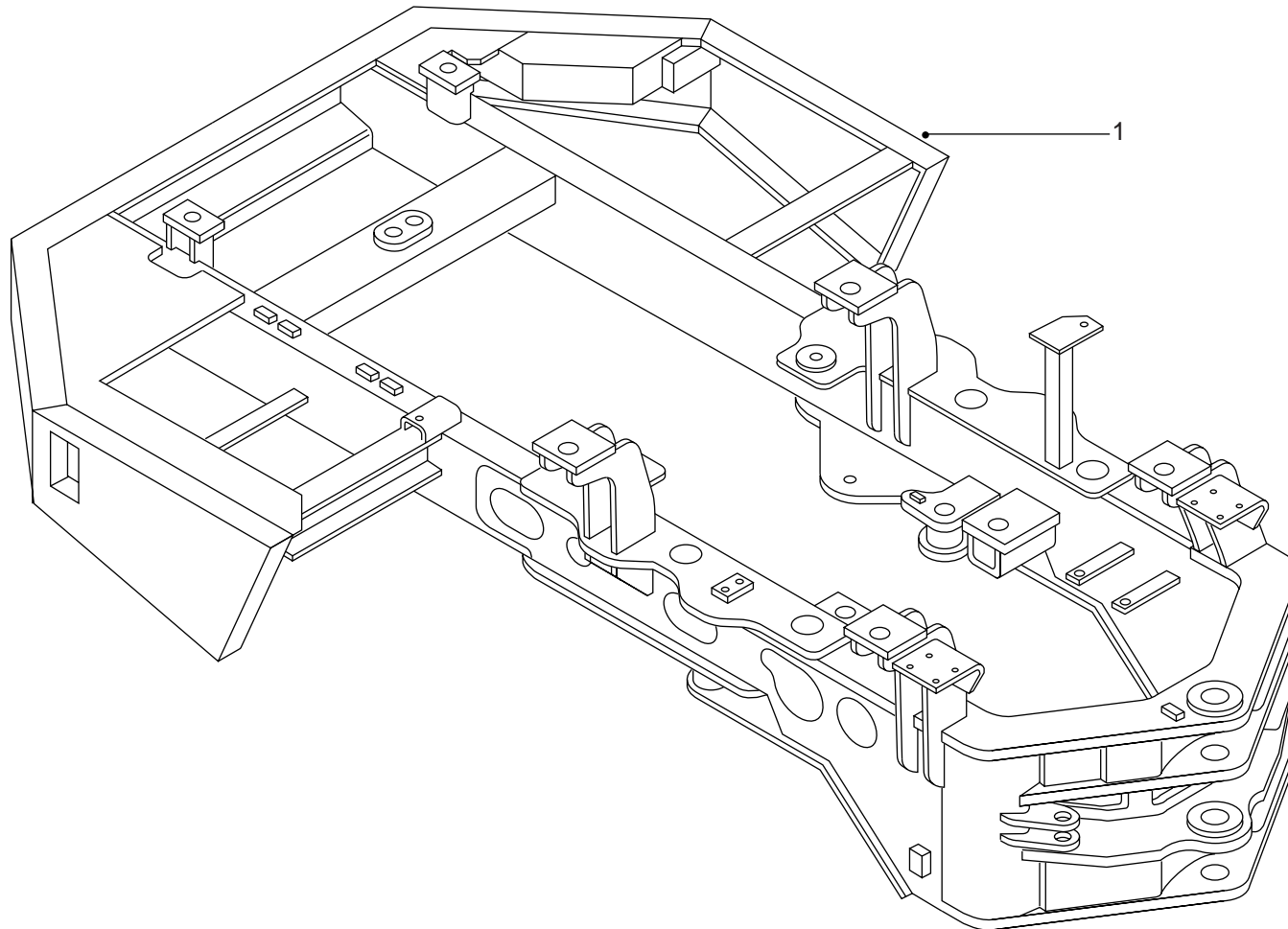
THIS PAGE IS INTENTIONALLY LEFT BLANK

R2 02/01 (ECN 103427)

100-0010-7571 CHASSIS
FROM SERIAL NO. A7761244

DRAWING NO. P9586

P9586



100-0010-7571 CHASSIS
FROM SERIAL NO. A7761244

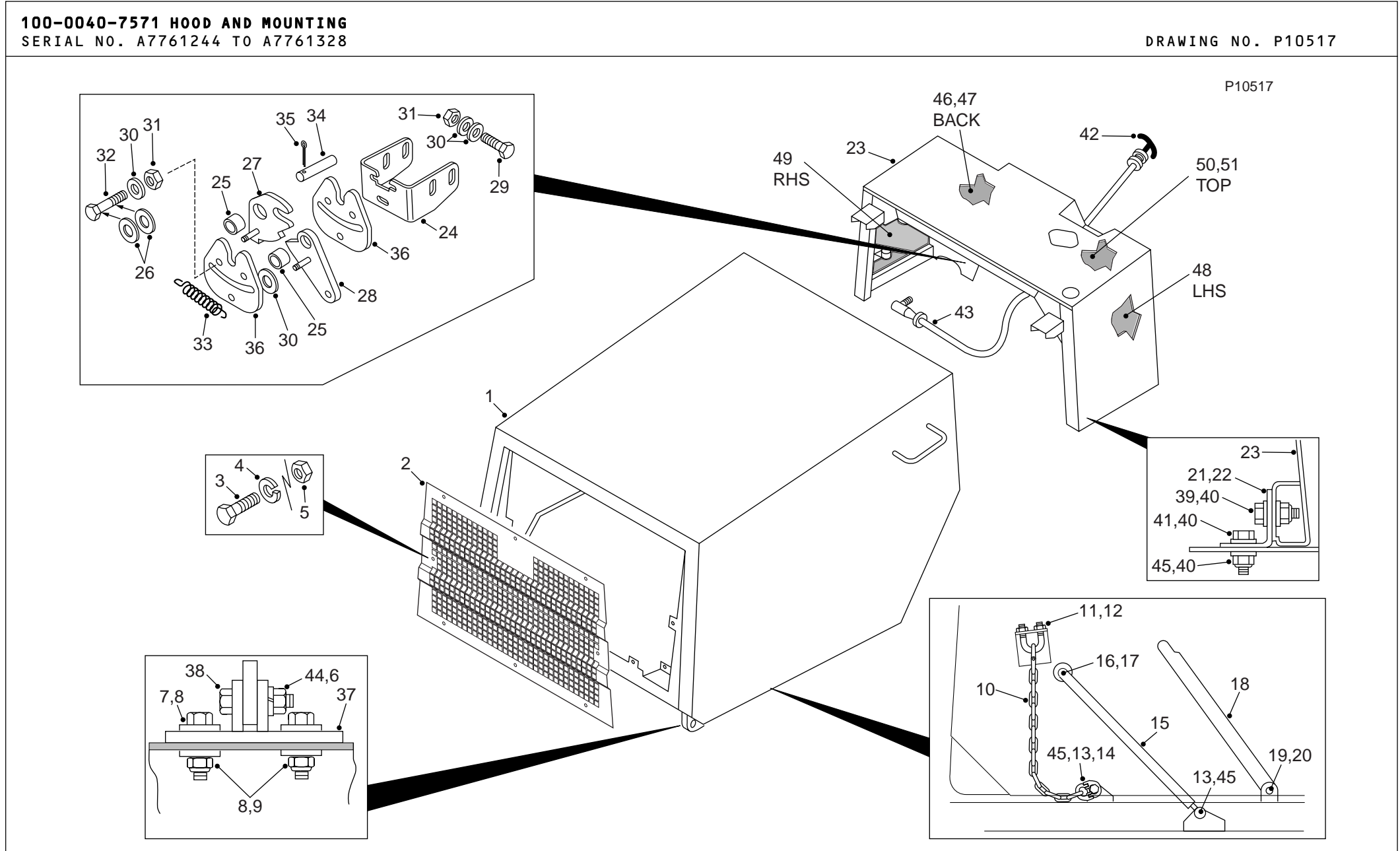
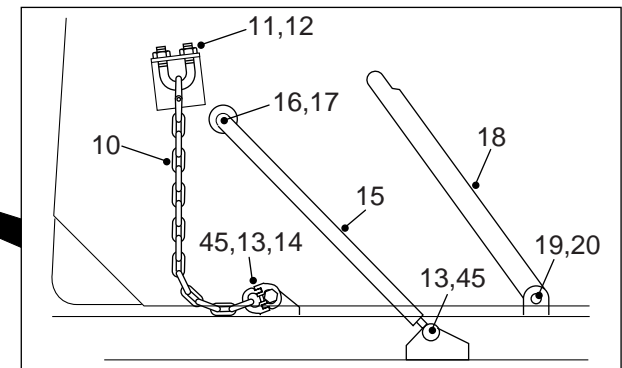
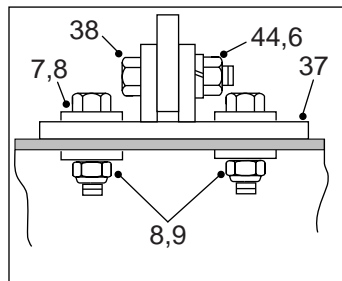
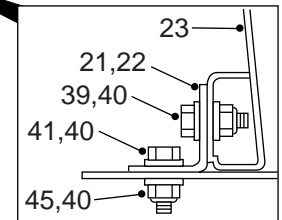
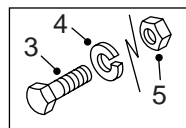
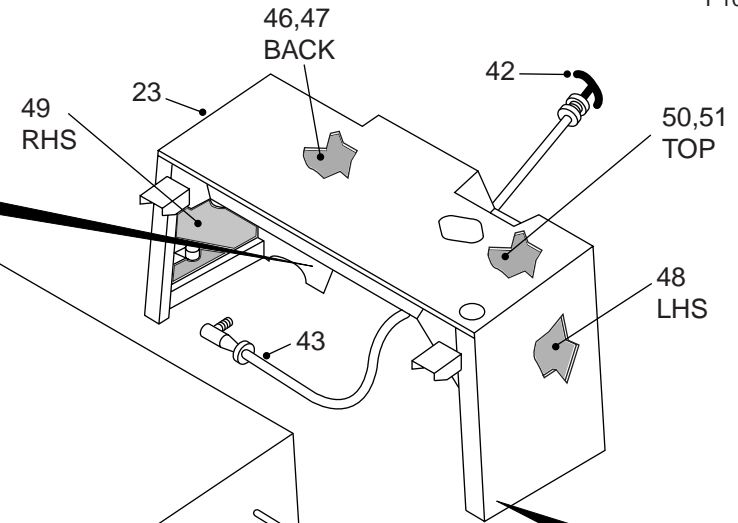
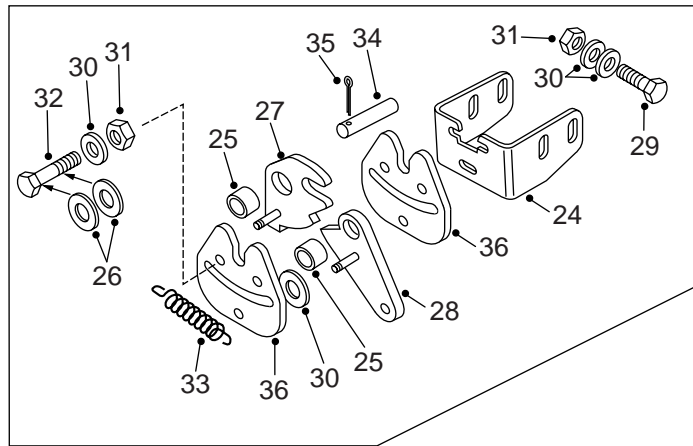
NC	REF	QTY	PART NO.	DESCRIPTION	SER.NO. FROM	SER.NO. TO
001	001		15306522	FRONT FRAME ASSY COMPL	A7761244	A7761281
001	001		15310246	FRONT FRAME ASSY COMPL	A7761282	

R2 06/01 (ECN 103582 AND ECN 103780)

100-0040-7571 HOOD AND MOUNTING
SERIAL NO. A7761244 TO A7761328

DRAWING NO. P10517

P10517



100-0040-7571 HOOD AND MOUNTING

SERIAL NO. A7761244 TO A7761328

NC	REF	QTY	PART NO.	DESCRIPTION	SER.NO. FROM	SER.NO. TO
001	001		15303730	FRONT HOOD		
002	001		15303731	.HOOD GRILLE	A7761244	A7761255
002	001		15309151	.HOOD GRILLE	A7761256	
003	008		06351225	.BOLT		
004	008		07161230	.LOCKWASHER		
005	008		15235260	.NUT-WELDED		
006	002		06471601	LOCKNUT		
007	004		06351650	BOLT		
008	008		09270004	WASHER		
009	010		06471601	LOCKNUT		
010	002		15248927	CHAIN		
011	002		15246583	BOLT-U		
012	004		06431001	NUT		
013	004		06351040	BOLT		
014	002		07151020	WASHER		
015	002		15307922	STRUT-GAS 1600N		
016	002		06351035	BOLT		
017	002		07161030	LOCKWASHER		
018	001		15253814	PLATE-SUPPORT		
019	001		00179887	BOLT		
020	001		00274209	LOCKNUT		
021	001		15308511	MOUNTING		
022	001		15308512	BRACKET		
023	001		15308510	COWL-REAR		
024	001		15255981	.BRACKET-ADJUSTABLE		
025	003		15255976	.BUSH		
026	004		07152030	.WASHER		
027	001		15255956	.PLATE ASSY-CAM		
028	001		15255957	.PLATE ASSY-CAM		
029	004		06351240	.BOLT		
030	011		01967343	.WASHER		
031	007		06471201	.LOCKNUT		
032	003		06351260	.BOLT		
033	001		15255985	.SPRING		
034	001		15256380	.PIN-CLEVIS		
035	001		00103397	.PIN-COTTER		
036	002		15255947	.PLATE		
037	002		15300416	BRACKET - HOOD		
038	002		06351670	BOLT		
039	006		06441020	BOLT		

100-0040-7571 HOOD AND MOUNTING

SERIAL NO. A7761244 TO A7761328

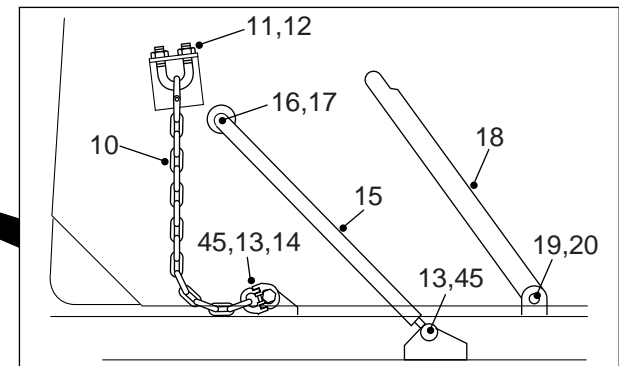
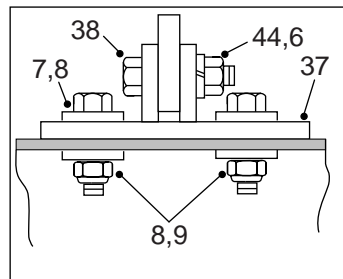
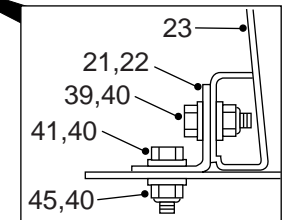
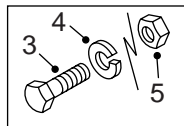
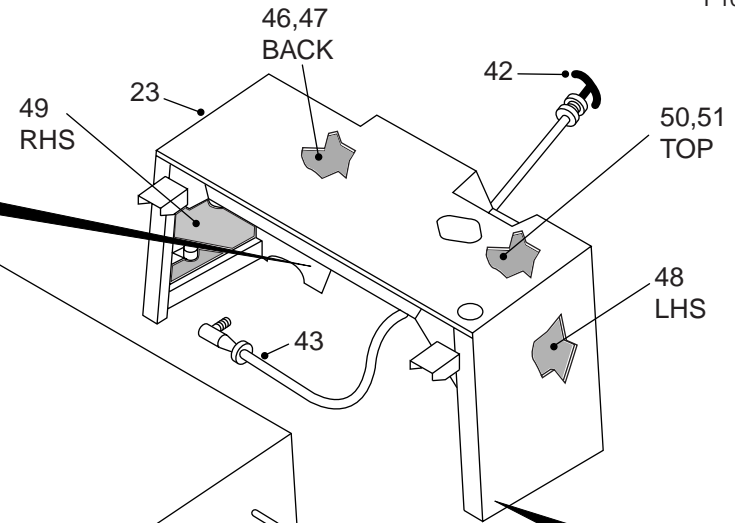
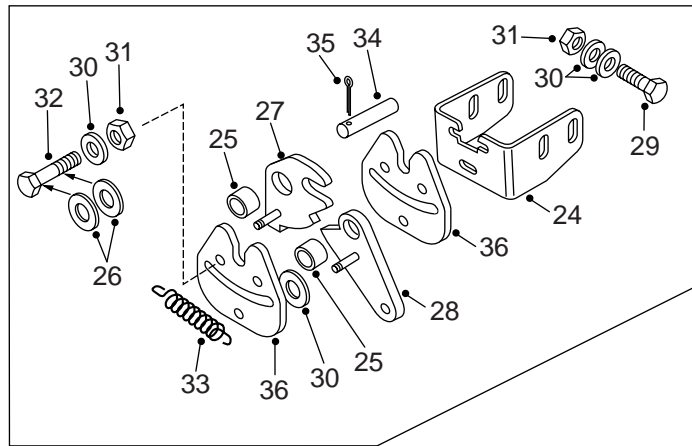
NC	REF	QTY	PART NO.	DESCRIPTION	SER.NO. FROM	SER.NO. TO
040	016		07181020	WASHER		
041	004		06351030	BOLT		
042	001		15256649	CABLE-HOOD CATCH		
043	001		15256961	BALLJOINT		
044	002		07151630	WASHER		
045	008		06471001	LOCKNUT		
046	001		15256020	INSULATION PANEL		
047	001		15256021	INSULATION PANEL		
048	001		15256022	INSULATION PANEL		
049	001		15256023	INSULATION PANEL		
050	001		15258841	INSULATION PANEL		
051	001		15258842	INSULATION PANEL		

06/01 (ECN 103582 AND ECN 103780)

100-0040-7571 HOOD AND MOUNTING
FROM SERIAL NO. A7761329

DRAWING NO. P10517

P10517



100-0040-7571 HOOD AND MOUNTING
FROM SERIAL NO. A7761329

100-0040-7571 HOOD AND MOUNTING
FROM SERIAL NO. A7761329

NC	REF	QTY	PART NO.	DESCRIPTION	SER.NO. FROM	SER.NO. TO
001	001		15311635	FRONT HOOD		
002	001		15310966	HOOD GRILLE		
003	008		06351225	BOLT		
004	008		07161230	LOCKWASHER		
005	008		15235260	NUT SQUARE WELD M12		
006	002		06471601	LOCKNUT		
007	004		06351650	BOLT		
008	008		09270004	WASHER		
009	010		06471601	LOCKNUT		
010	002		15248927	CHAIN		
011	002		15246583	BOLT-U		
012	004		06431001	NUT		
013	004		06351040	BOLT		
014	002		07151020	WASHER		
015	002		15307922	GAS STRUT - 1600N		
016	002		06351035	BOLT		
017	002		07161030	LOCKWASHER		
018	001		15253814	PLATE-SUPPORT		
019	001		00179887	BOLT		
020	001		00274209	LOCKNUT		
021	001		15308511	BRK.COWL MTG (RH)		
022	001		15308512	BRK COWL MTG (LH)		
023	001		15308510	REAR COWL TA40		
024	001		15255981	.BRACKET-ADJUSTABLE		
025	003		15255976	.BUSHING		
026	004		07152030	.WASHER		
027	001		15255956	.PLATE ASSY-CAM		
028	001		15255957	.PLATE ASSY-CAM		
029	004		06351240	.BOLT		
030	011		01967343	.WASHER		
031	007		06471201	.LOCKNUT		
032	003		06351260	.BOLT		
033	001		15255985	.SPRING		
034	001		15256380	.PIN-CLEVIS		
035	001		00103397	.PIN-COTTER		
036	002		15255947	.PLATE		
037	002		15311636	HOOD BRACKET		
038	002		06351670	BOLT		
039	008		06441020	BOLT		
040	020		01967341	WASHER		

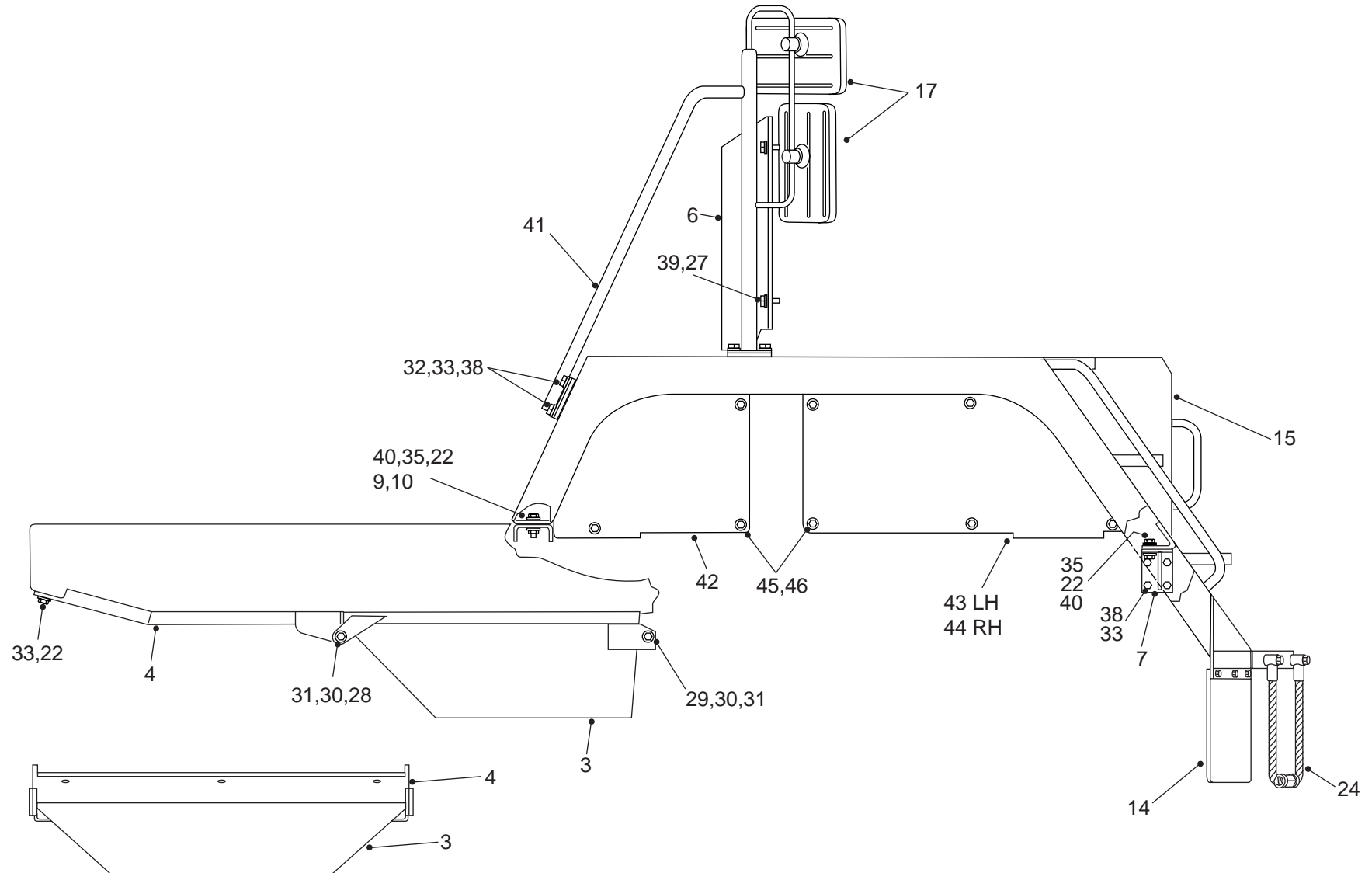
NC	REF	QTY	PART NO.	DESCRIPTION	SER.NO. FROM	SER.NO. TO
041	008		06351030	BOLT		
042	001		15256649	CABLE-HOOD CATCH		
043	001		15256961	BALLJOINT		
044	002		07151630	WASHER		
045	008		06471001	LOCKNUT		

R2 02/01

100-0070-7571 FENDERS AND MOUNTING
SERIAL NO. A7761244 TO A7761291

DRAWING NO. P9557A

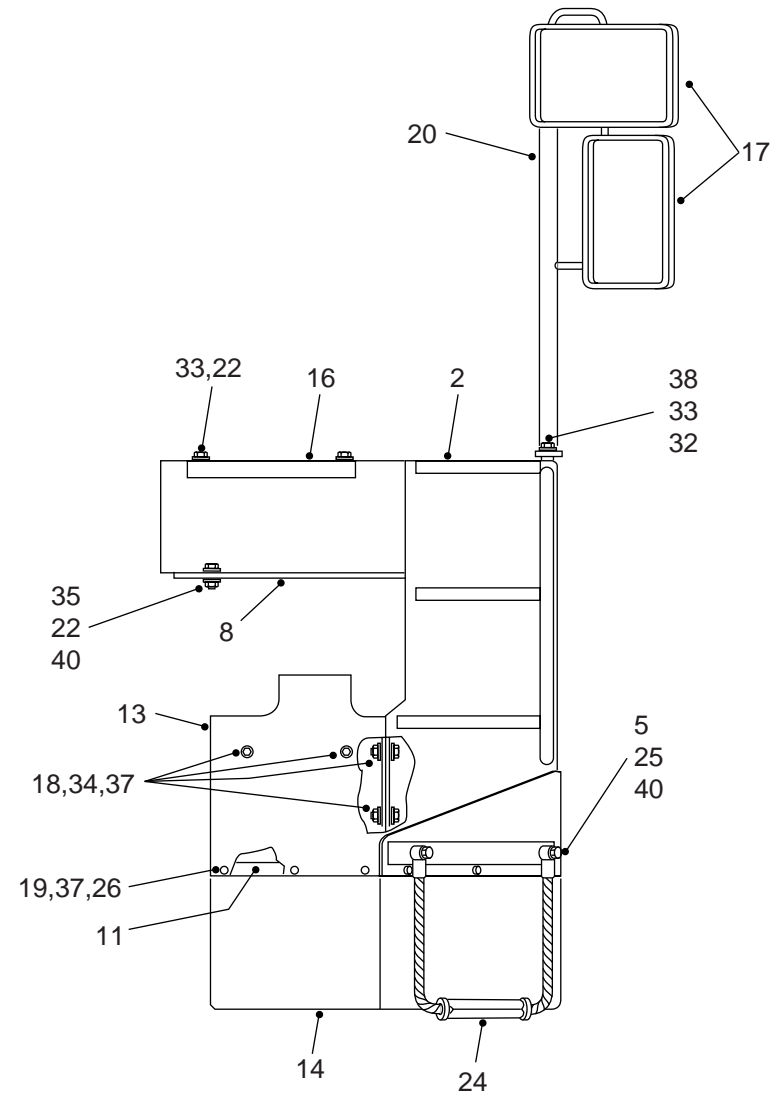
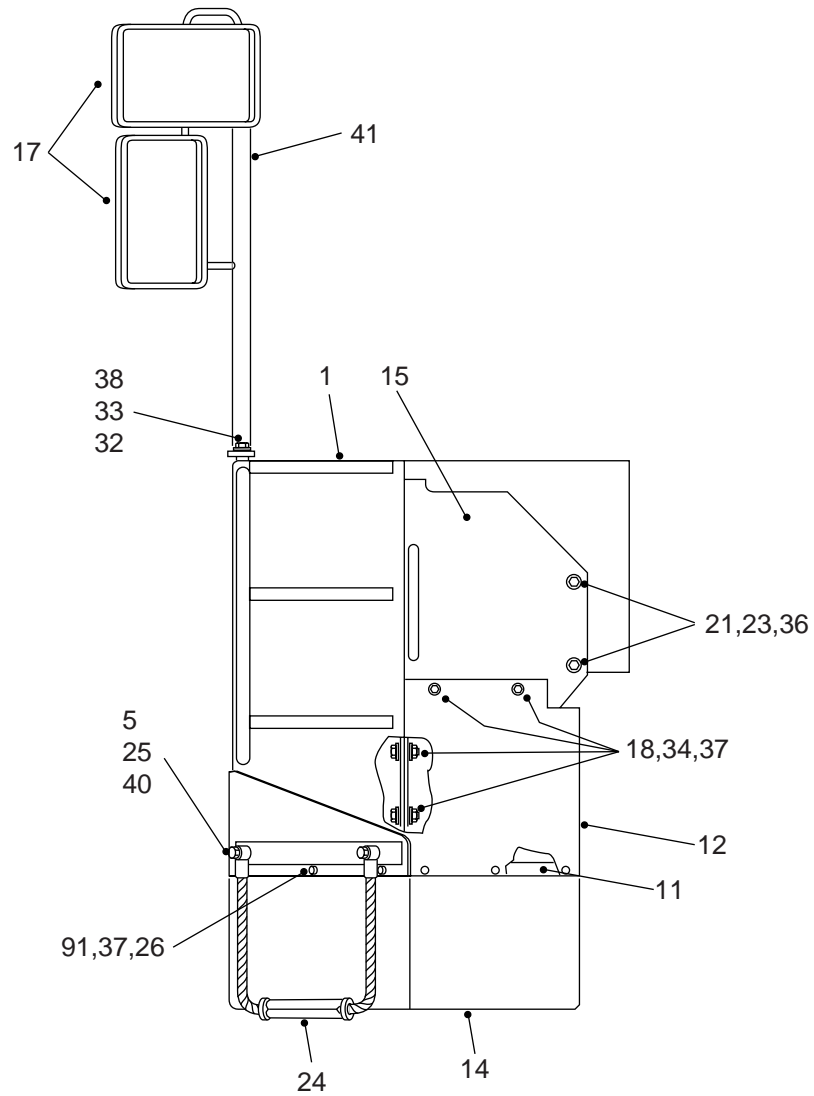
P9557



100-0070-7571 FENDERS AND MOUNTING
SERIAL NO. A7761244 TO A7761291

DRAWING NO. P9557B

P9557



Terex Ta35 Articulated Truck Parts Book

Full download: <http://manualplace.com/download/terex-ta35-articulated-truck-parts-book/>

R2 02/01

100-0070-7571 FENDERS AND MOUNTING SERIAL NO. A7761244 TO A7761291							100-0070-7571 FENDERS AND MOUNTING SERIAL NO. A7761244 TO A7761291						
NC	REF	QTY	PART NO.	DESCRIPTION	SER.NO. FROM	SER.NO. TO	NC	REF	QTY	PART NO.	DESCRIPTION	SER.NO. FROM	SER.NO. TO
001	001		15301016	LH FENDER			041	001		15247599	BRACKET-LH MIRROR		
002	001		15301017	RH FENDER			042	001		15301496	QUILT-FT. LH		
003	001		15300193	SUMP GUARD ASSEMBLY			043	001		15301495	QUILT-REAR LH		
004	001		15235537	PLATE			044	001		15301497	QUILT-REAR RH		
005	004		15244017	BOLT			045	016		06351225	BOLT		
006	001		15257486	COVER-CAB FIREWALL			046	016		15234758	WASHER		
007	001		15249935	BRACKET-LH FENDER									
008	001		15234415	PAD									
009	001		15234770	PAD									
010	001		15234765	PAD									
011	002		15235513	EXTENSION-FENDER									
012	001		15235710	MUDGUARD									
013	001		15305642	MUDGUARD RH									
014	002		15235511	MUDFLAP									
015	001		15245948	PANEL									
016	001		15235272	PLATE ASSY									
017	004		09077400	MIRROR									
018	011		06350820	SCREW									
019	012		07150815	WASHER									
020	001		15247232	BRACKET-RH MIRROR									
021	002		06471001	LOCKNUT									
022	030		09267949	WASHER-HARDENED									
023	004		07181020	WASHER									
024	002		15255698	STEP ASSY									
025	004		09270000	WASHER-HARDENED									
026	012		06350830	BOLT									
027	004		09072032	WASHER									
028	002		15246954	BOLT									
029	004		06351670	BOLT									
030	008		07151630	WASHER									
031	004		06471601	LOCKNUT									
032	008		09267660	WASHER									
033	005		06351230	BOLT									
034	018		07180820	WASHER									
035	009		06351240	BOLT									
036	002		06351035	BOLT									
037	023		06470801	NUT									
038	012		07161230	LOCKWASHER									
039	004		06350814	BOLT									
040	017		06471201	LOCKNUT									