

Terex Ta30 Articulated Truck Parts Book

Full download for manual please click here for [http://manualplace.com/terex-ta30-articulated-truck-parts-book/](#)

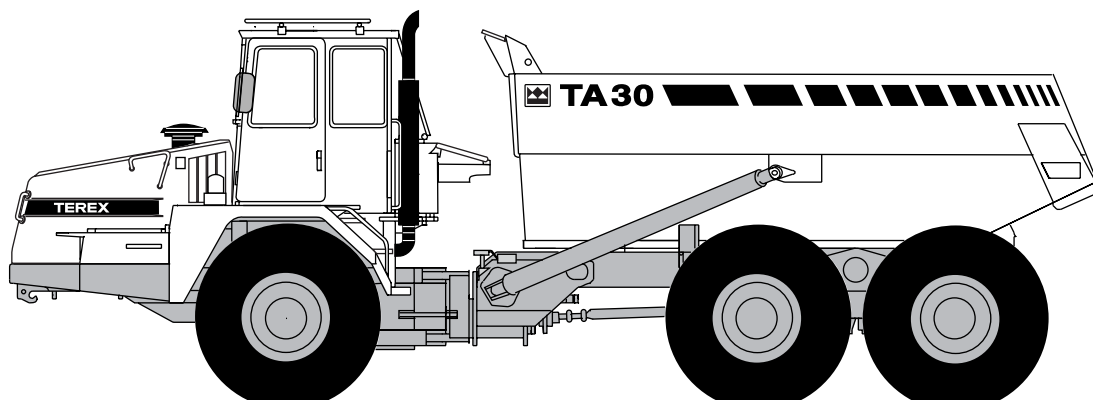
[CLICK HERE FOR TRACTOR TABLE OF CONTENTS](#)

[CLICK HERE FOR TRACTOR OPTIONAL TABLE OF CONTENTS](#)

[CLICK HERE FOR TRAILER TABLE OF CONTENTS](#)

[CLICK HERE FOR TRAILER OPTIONAL TABLE OF CONTENTS](#)

P10401



TEREX

Parts Book

[CLICK HERE TO RETURN TO MAIN LIBRARY INDEX](#)

**Part Number
15274055**

TA30 Articulated Truck

(Cummins MTA11-C300 Powered with ZF 6WG-260-II Transmission)

From Serial No. A7991001

8 May 2000
Revised Feb 02

PUBLISHED BY:
PRODUCT SUPPORT DEPARTMENT

TEREX EQUIPMENT LIMITED
MOTHERWELL, SCOTLAND

THIS PAGE IS INTENTIONALLY LEFT BLANK



WARRANTY ON PARTS AND ATTACHMENTS

Terex Equipment Limited warrants that for a period of six months after sale of new Terex replacement parts or attachments by an authorised Terex dealer it will repair, or at its option, replace any defective or malfunctioning part or attachment. This warranty covers only malfunctions resulting from defects in material or workmanship.

This warranty does not cover malfunctions resulting from negligence, alteration, accident or overloading; use for a purpose for which the part or attachment is not designed or approved by Terex; loss of time, inconvenience, loss of use of the vehicle or other consequential damages; or labour for removal or reinstallation of defective or malfunctioning parts or attachments.

Repairs or replacements qualifying under this warranty will be performed by any authorised Terex dealer within a reasonable time following delivery of the malfunctioning part or attachment to the dealer's place of business.

Defective or malfunctioning parts or attachments must be delivered to an authorised Terex dealer's place of business during regular business hours for warranty repairs or replacements. The dealer must be furnished with the purchaser's copy of the sales slip or repair order to validate date of purchase.

* * * * *

SOLE WARRANTY

This is the only express warranty applicable to new Terex parts and attachments sold by Terex dealers and Terex neither assumes nor authorises anyone to assume for it any other obligation or liability in connection with such parts or attachments.

THIS PAGE IS INTENTIONALLY LEFT BLANK

INSTRUCTIONS FOR USE OF TEREX PARTS BOOK

This Parts Book is divided into Major Sections which cover components corresponding to specific areas of the machine.

Printed at the top left hand corner of each Parts Page is an Index Code which includes three numbers - the first of these relates to a Major Section, the second indicates a Sub-section within a Major Section and the last the model PLI number. Certain Major Sections may not apply to the particular model covered in this Parts Book and, consequently, will be omitted.

An illustrated Index page shows all the Major Component Section numbers included in the book. For example -

SECTION 100 - CHASSIS

SECTION 140 - FRONT AXLE GROUP

SECTION 230 - BODY HOIST SYSTEM etc.

Major Component Sections are listed in the 'Table Of Contents' pages together with Sub-section headings.

For example to locate the serviceable items of a Steering Cylinder -

1. The Table of Contents shows the steering components to be in Major Section 220.
2. The steering cylinder is listed in Major Section 220, Sub-section 0120
3. Select the Parts Page Code that applies to the unit Serial number for which parts are needed and locate the Page with reference number.

EXAMPLE - 220-0120.

SERIAL NUMBERS - Each Parts Book covers a particular range of unit Serial Numbers.

It is important that unit Serial Numbers are quoted on all orders for Parts.

PARTS LISTS - Parts Forms usually consist of detailed parts information listed on one page together with a parts illustration on the opposite page. The parts list is printed in the order of the reference numbers shown on the parts illustration. The first column lists Note Letters; the second lists the reference numbers; the third shows quantity required and the fourth gives the parts descriptions. Parts which are part of an assembly have their descriptions indented beneath the assembly description.

ILLUSTRATIONS - These show typical assemblies and individual piece parts. They are intended for general reference only and may not always show exact details of parts. Parts are identified on each illustration with an item number. Note the item number of the part required and locate it in the parts list. The part number opposite the item number is the part to order.

INDENTATIONS - Parts which are indented under another part are Sub-groups of a Major Assembly or Sub-assembly. Parts which are not indented are major assemblies or individual component parts which do not belong to a major assembly.

EXAMPLE - 1 9052564 Pump Assy.
 2 9058512 . Shaft
 3 9024169 . Ring
 4 9058132 . Control Assy.
 5 9058135 . . Spring
 6 9072162 Gasket

- If you order Item 1, you will receive Items 1 - 5.
- If you order Item 4, you will receive Items 4 and 5.
- If you order Item 6, you will receive only Item 6.

NOTES - Whenever there is an alphabetical symbol to the left of the item number, refer to the corresponding note at the bottom of the form for information regarding ordering or application of the particular part number(s) noted.

ABBREVIATIONS - The abbreviations in this book have the following meanings -

Amps	Amperes	Hsg	Housing	N.I	Not Illustrated
As R	As Required	I.D	Inside Diameter	N.L.A	No Longer Available
Assy	Assembly	L.H	Left Hand	N.S.S	Not Sold Separately
Brkt	Bracket	L.W	Lockwasher	O.D	Outside Diameter
Cad-Pltd	Cadium Plated	Lg	Long	Pr	Pair
Comm	Commencement of production	Lkg	Linkage	P.T.O	Power-Take-Off
E.S.N	Elastic Stop Nut	Mtg	Mounting	R.H	Right Hand
Ftgs	Fittings	N.C	Note Code	Std	Standard



Articulated Truck




TRACTOR SECTIONS

	CHASSIS	100
--	----------------	------------

	ENGINE	110
--	---------------	------------


	TRANSMISSION	120
--	---------------------	------------

	DRIVELINE	130
--	------------------	------------

	FRONT AXLE	140
--	-------------------	------------

	BRAKE PARTS	165
--	--------------------	------------

	SUSPENSION SYSTEM	180
--	--------------------------	------------

	ELECTRICAL SYSTEM	190
--	--------------------------	------------

	FUEL SYSTEM	200
--	--------------------	------------

	COOLING SYSTEM	210
--	-----------------------	------------

	STEERING SYSTEM	220
---	------------------------	------------

	BODY HOIST SYSTEM	230
---	--------------------------	------------

	BRAKING SYSTEM	250
---	-----------------------	------------

	CAB	260
---	------------	------------

	DECALS	290
---	---------------	------------

		
---	--	--

		
---	--	--

		
---	--	--

		
---	--	--


		
---	--	--

TABLE OF CONTENTS FOR MODEL TA30

FROM SERIAL NO A7991001

11/02/02

SECT - PAGE - PLI DESCRIPTION

SECTION 100 CHASSIS

100-0010-8001	CHASSIS	R1 02/01
100-0010-8001	CHASSIS	02/01
100-0040-8001	HOOD AND MOUNTING	R2 02/01
100-0040-8001	HOOD AND MOUNTING	R1 06/01
100-0040-8001	HOOD AND MOUNTING	R1 08/01
100-0070-8001	FENDERS AND MOUNTING	R1 06/01
100-0135-8001	ROCK AND MUD GUARDS	

SECTION 110 ENGINE

110-0030-8001	ENGINE AND MOUNTING	R1 02/01
110-0030-8001	ENGINE AND MOUNTING	R1 06/01
110-0040-8001	FAN AND MOUNTING	R1 08/00
110-0050-8001	AIR CLEANER	
110-0060-8001	AIR CLEANER PIPES AND HOSES	
110-0070-8001	EXHAUST AND MOUNTING	R1 02/01
110-0070-8001	EXHAUST AND MOUNTING	02/01
110-0140-8001	COUPLING	R1 02/02
110-0140-8001	COUPLING	02/02

SECTION 120 TRANSMISSION

120-0010-8001	TRANSMISSION MOUNTING	R1 06/01
120-0020-8001	TRANSMISSION BREAKDOWN	R1 02/02
120-0020-8001	TRANSMISSION BREAKDOWN	02/02
120-0050-8001	CONTROL VALVE	
120-0070-8001	SHIFT CONTROL	R1 02/01
120-0070-8001	SHIFT CONTROL	02/01
120-0100-8001	FILTER	
120-0110-8001	OIL LINES-TRANSMISSION	R2 06/01
120-0220-8001	OIL PUMP	
120-0390-8001	TORQUE CONVERTER	
120-0400-8001	LUBRICATION PIPES	
120-0410-8001	INDUCTIVE TRANSMITTER	
120-0430-8001	ELECTRIC SHIFT CONTROL VALVE	
120-0440-8001	GEARSHIFT	
120-0450-8001	GEARBOX HOUSING	
120-0460-8001	CLUTCH ASSEMBLY KV+K1	
120-0470-8001	CLUTCH ASSEMBLY KR+K2	
120-0480-8001	CLUTCH ASSEMBLY K3+K4	
120-0490-8001	RETARDER	
120-0491-8001	RETARDER OIL PIPES	

SECT - PAGE - PLI DESCRIPTION

SECTION 120 TRANSMISSION

120-0500-8001	PTO MAIN HYDRAULIC PUMP	R1 08/00
120-0515-8001	EMERGENCY STEERING PUMP	
120-0520-8001	INPUT-DRIVE ASSEMBLY	R1 02/02
120-0530-8001	LAYSHAFT GEARING	
120-0540-8001	DIFFERENTIAL	
120-0550-8001	AXLE DISCONNECT	
120-0900-8001	LOOSE PARTS-TRANSMISSION	R2 02/01

SECTION 130 DRIVELINE

130-0010-8001	FRONT DRIVELINE	R2 02/01
130-0010-8001	FRONT DRIVELINE	R1 06/01
130-0010-8001	FRONT DRIVELINE	R1 02/02
130-0010-8001	FRONT DRIVELINE	02/02

SECTION 140 FRONT AXLE

140-0010-8001	AXLE COMPLETE-FRONT	R1 02/01
140-0010-8001	AXLE COMPLETE-FRONT	02/01
140-0020-8001	AXLE GROUP-FRONT	R1 06/01
140-0020-8001	AXLE GROUP-FRONT	06/01
140-0030-8001	PLANETARY GEARING-FRONT	R1 06/01
140-0030-8001	PLANETARY GEARING-FRONT	06/01
140-0040-8001	WHEEL, RIM AND TYRE-FRONT	R1 02/01
140-0040-8001	WHEEL, RIM AND TYRE-FRONT	02/01
140-0060-8001	DIFFERENTIAL-FRONT	R1 06/01
140-0060-8001	DIFFERENTIAL-FRONT	06/01

SECTION 165 BRAKE PARTS

165-0010-8001	BRAKE PARTS-ARTICS	R2 06/01
165-0010-8001	BRAKE PARTS-ARTICS	06/01
165-0050-8001	BRAKE GUARDS	R2 02/02

SECTION 180 SUSPENSION SYSTEM

180-0020-8001	FRONT SUSPENSION	R1 02/01
---------------	------------------	----------

SECTION 190 ELECTRICAL SYSTEM

190-0010-8001	TERMINALS	
190-0011-8001	CONNECTORS	
190-0030-8001	CABLES/HARNESSES-CAB	R2 02/02
190-0040-8001	CABLES/HARNESSES-CHASS/ENG	R1 06/01
190-0070-8001	BATTERY AND CABLES	

TABLE OF CONTENTS FOR MODEL TA30

FROM SERIAL NO A7991001

11/02/02

SECT - PAGE - PLI DESCRIPTION

SECTION 190 ELECTRICAL SYSTEM

190-0080-8001	BATTERY MOUNTING	R3 06/01
190-0080-8001	BATTERY MOUNTING	06/01
190-0100-8001	ELECTRICAL LIGHTING SYSTEM	R1 06/01
190-0100-8001	ELECTRICAL LIGHTING SYSTEM	06/01
190-0170-8001	FLOODLAMP/SPOTLIGHT/WORK LIGHT	02/02
190-0270-8001	SWITCHES AND SENSORS	
190-0300-8001	RADIO CASSETTE AND SPEAKERS	R2 02/02
190-0300-8001	RADIO CASSETTE AND SPEAKERS	02/02
190-0310-8001	ELECTRICAL HORN	

SECTION 200 FUEL SYSTEM

200-0010-8001	FUEL TANK AND MOUNTING	R2 02/01
200-0010-8001	FUEL TANK AND MOUNTING	R1 06/01
200-0010-8001	FUEL TANK AND MOUNTING	06/01
200-0040-8001	FUEL LINES	R1 02/01
200-0050-8001	ACCELERATOR LINKAGE	

SECTION 210 COOLING SYSTEM

210-0010-8001	RADIATOR ASSEMBLY	R1 02/01
210-0010-8001	RADIATOR ASSEMBLY	02/01
210-0020-8001	RADIATOR MOUNTING	R2 06/01
210-0030-8001	RADIATOR PIPING	R2 06/01
210-0040-8001	RADIATOR HEADER TANK AND HOSES	
210-0060-8001	OIL COOLER AND PIPING-TRANS	R4 08/01
210-0060-8001	OIL COOLER AND PIPING-TRANS	R1 08/01
210-0065-8001	OIL COOLER	06/01

SECTION 220 STEERING SYSTEM

220-0010-8001	STEERING LINES	R2 02/01
220-0010-8001	STEERING LINES	R1 06/01
220-0090-8001	STEERING VALVE	
220-0105-8001	PRIORITY VALVE	
220-0120-8001	STEERING CYLINDER	R1 02/01
220-0120-8001	STEERING CYLINDER	02/01
220-0140-8001	EMERGENCY STEERING VALVE	
220-0230-8001	STEERING COLUMN MOUNTING	R1 08/00
220-0230-8001	STEERING COLUMN MOUNTING	08/00

SECTION 230 BODY HOIST SYSTEM

230-0020-8001	LINES AND FITTINGS-BODY HOIST	R4 02/02
----------------------	--------------------------------------	-----------------

SECT - PAGE - PLI DESCRIPTION

SECTION 230 BODY HOIST SYSTEM

230-0040-8001	TANK AND MOUNTING-BODY HOIST	R1 02/02
230-0050-8001	PUMP-BODY HOIST	
230-0060-8001	CONTROL VALVE-BODY HOIST	R1 02/01
230-0081-8001	JOYSTICK-BODY CONTROL	R1 06/01
230-0081-8001	JOYSTICK-BODY CONTROL	06/01
230-0121-8001	PILOT SUPPLY VALVE	

SECTION 250 BRAKING SYSTEM

250-0010-8001	BRAKE LINES-AIR	R4 02/02
250-0010-8001	BRAKE LINES-AIR	R2 02/02
250-0020-8001	BRAKE LINES-HYDRAULIC	R2 02/02
250-0070-8001	TREADLE VALVE	
250-0190-8001	CONTROL VALVE-BRAKES	
250-0200-8001	AIR DRIER	
250-0260-8001	BRAKE CHAMBER/PRESS CONVERTER	
250-0290-8001	PRESSURE PROTECTION VALVE	

SECTION 260 CAB

260-0010-8001	CAB ASSEMBLY	
260-0010-8001	CAB ASSEMBLY	R2 08/01
260-0010-8001	CAB ASSEMBLY	R2 08/01
260-0010-8001	CAB ASSEMBLY	R2 02/02
260-0015-8001	CAB MOUNTING	
260-0015-8001	CAB MOUNTING	R1 06/01
260-0030-8001	CAB DOOR-LEFT HAND	R2 08/01
260-0080-8001	SWITCHES AND INSTRUMENTS	R1 02/01
260-0090-8001	SEAT-DRIVER	R2 08/01
260-0090-8001	SEAT-DRIVER	08/01
260-0110-8001	SEAT-PASSENGER	
260-0130-8001	AIR CONDITIONER/HEATER	R1 08/00
260-0140-8001	HEATER LINES AND WIRING	
260-0145-8001	AIR CONDITIONER LINES	R2 02/01
260-0145-8001	AIR CONDITIONER LINES	02/01
260-0190-8001	WINDSCREEN WASHER	

SECTION 290 DECALS

290-0010-8001	DECALS-ENGLISH	R1 06/01
290-0010-8001	DECALS-ENGLISH	R1 02/02

THIS PAGE IS INTENTIONALLY LEFT BLANK

THIS PAGE IS INTENTIONALLY LEFT BLANK

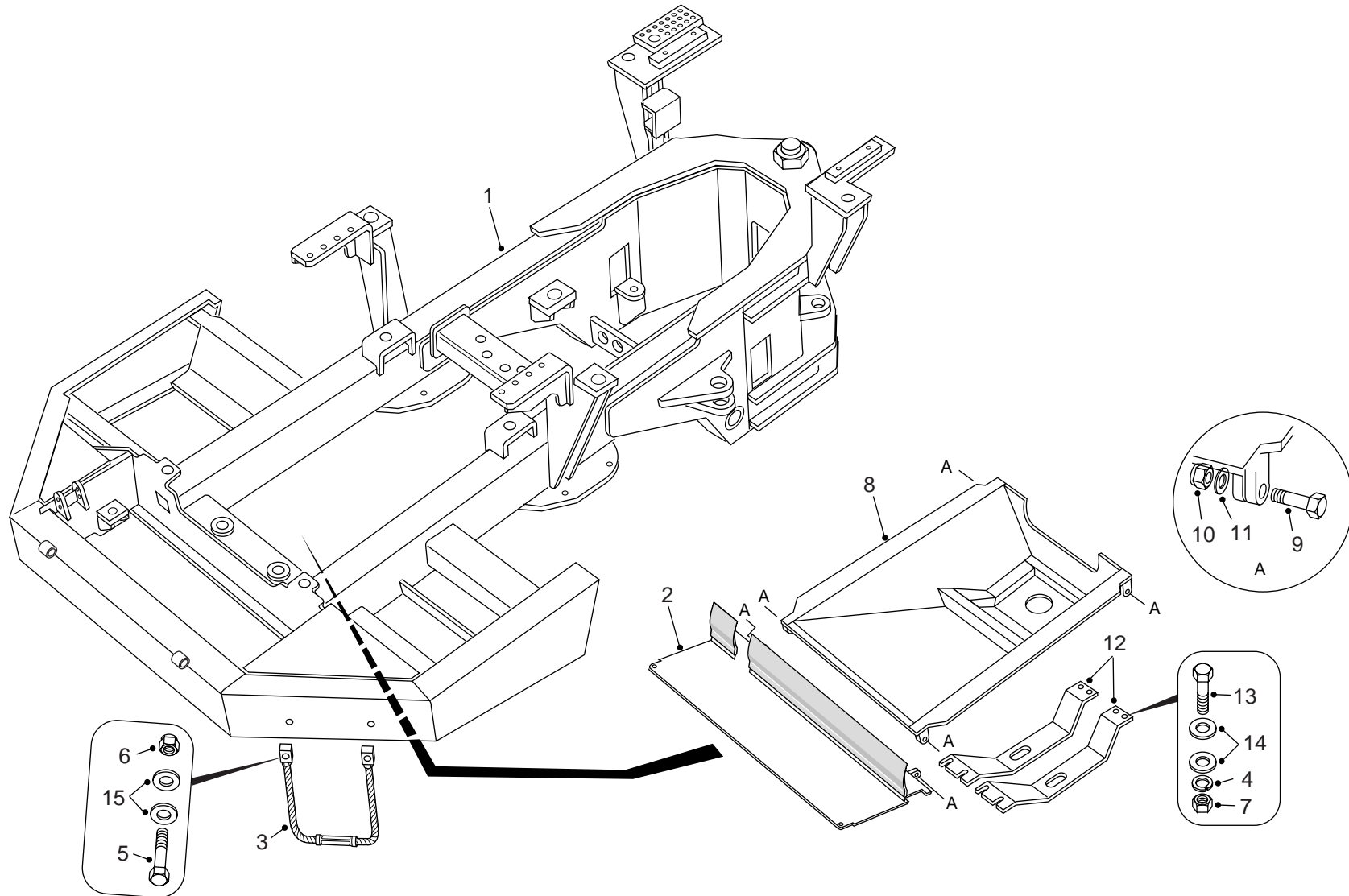
R1 02/01 (ECN 102993)

100-0010-8001 CHASSIS

SERIAL NO. A7991001 TO A7991161

DRAWING NO. P10406

P10406



100-0010-8001 CHASSIS

SERIAL NO. A7991001 TO A7991161

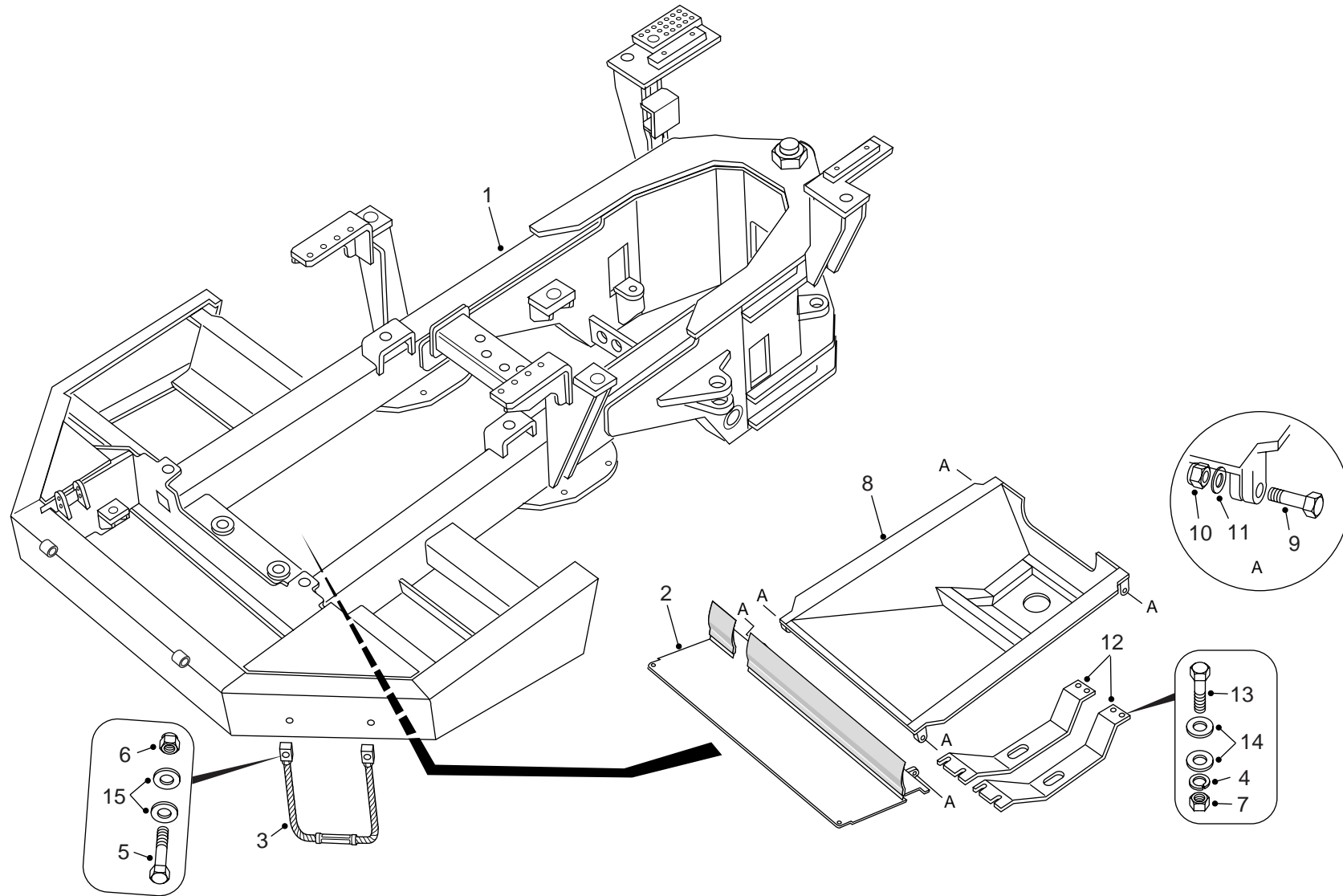
NC	REF	QTY	PART NO.	DESCRIPTION	SER.NO. FROM	SER.NO. TO
001	001		15306129	FRONT FRAME ASSEMBLY-C		
002	001		15306022	FRONT SUMP GUARD		
003	002		15255698	STEP ASSY		
004	008		00108580	LOCKWASHER		
005	004		00179892	BOLT		
006	004		00274209	LOCKNUT		
007	008		00102635	NUT		
008	001		15306023	REAR SUMP GUARD		
009	006		15252867	BOLT		
010	006		06471601	LOCKNUT		
011	006		07151630	WASHER		
012	002		15245361	GUARD-AIR TANK		
013	004		00179843	BOLT		
014	008		00106263	WASHER		
015	008		07151220	WASHER		

02/01 (ECN 102993)

100-0010-8001 CHASSIS
FROM SERIAL NO. A7991162

DRAWING NO. P10406

P10406



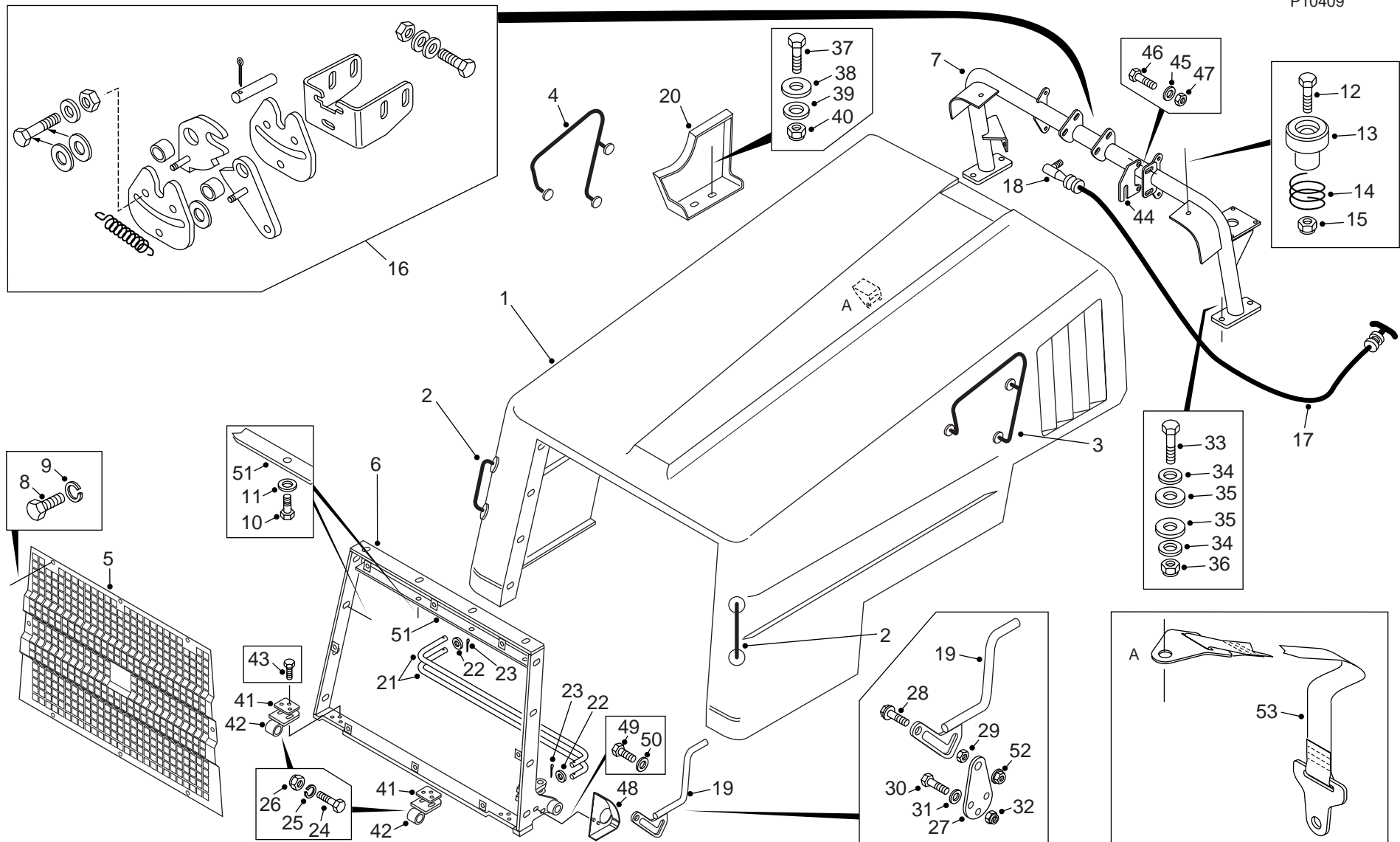
100-0010-8001 CHASSIS
FROM SERIAL NO. A7991162

NC	REF	QTY	PART NO.	DESCRIPTION	SER.NO. FROM	SER.NO. TO
001	001		15309934	FRONT FRAME ASSEMBLY		
002	001		15306022	FRONT SUMP GUARD		
003	002		15255698	STEP ASSY		
004	008		00108580	LOCKWASHER		
005	004		00179892	BOLT		
006	004		00274209	LOCKNUT		
007	008		00102635	NUT		
008	001		15306023	REAR SUMP GUARD		
009	006		15252867	BOLT		
010	006		06471601	LOCKNUT		
011	006		07151630	WASHER		
012	002		15245361	GUARD-AIR TANK		
013	004		00179843	BOLT		
014	008		00106263	WASHER		
015	008		07151220	WASHER		

R2 02/01 (ECN 102986, ECN 103004 AND ECN 103107)

100-0040-8001 HOOD AND MOUNTING
SERIAL NO. A7991001 TO A7991131

DRAWING NO. P10409



100-0040-8001 HOOD AND MOUNTING

SERIAL NO. A7991001 TO A7991131

NC	REF	QTY	PART NO.	DESCRIPTION	SER.NO. FROM	SER.NO. TO
001	001		15306112	HOOD ASSY-FIBRE GLASS		
002	002		15306140	.HANDLE (FRONT)		
003	001		15306138	.HANDLE (LHS)		
004	001		15306139	.HANDLE (RHS)		
005	001		15306064	GRILLE-HOOD	A7991001	A7991032
005	001		15309450	GRILLE-HOOD	A7991033	A7991131
006	001		15306040	SUBFRAME-HOOD HINGE	A7991001	A7991032
006	001		15309406	SUBFRAME	A7991033	A7991131
007	001		15306167	SUPPORT ASSY-GOALPOST		
008	008		00179839	BOLT		
009	008		00108580	LOCKWASHER		
010	012		06351240	BOLT		
011	012		01967343	WASHER		
012	002		06351050	BOLT		
013	002		15307804	STOP-HOOD		
014	002		09073839	SPRING		
015	002		06471001	LOCKNUT		
016	001		15306805	KIT-HOODCATCH		
017	001		15306920	CABLE-HOODCATCH		
018	001		15256961	BALLJOINT		
019	001		15309067	PROP-HOOD		
020	001		15306218	COVER-BLANKING		
021	002		15307970	TORSION BAR		
022	004		00106264	WASHER		
023	004		00103385	PIN-COTTER		
024	002		15309192	BOLT		
025	002		07161630	LOCKWASHER		
026	002		06471601	LOCKNUT		
027	001		15308774	PLATE-HOOD PROP MTG		
028	001		15309737	BOLT-FLANGED	A7991060	
029	001		06432001	NUT		
030	003		06351260	BOLT		
031	003		07151220	WASHER		
032	003		06471201	LOCKNUT		
033	004		00179870	BOLT		
034	008		09270004	WASHER		
035	008		00106265	WASHER		
036	004		00274209	LOCKNUT		
037	002		06351245	BOLT		
038	002		09262391	WASHER-HARDENED		

100-0040-8001 HOOD AND MOUNTING

SERIAL NO. A7991001 TO A7991131

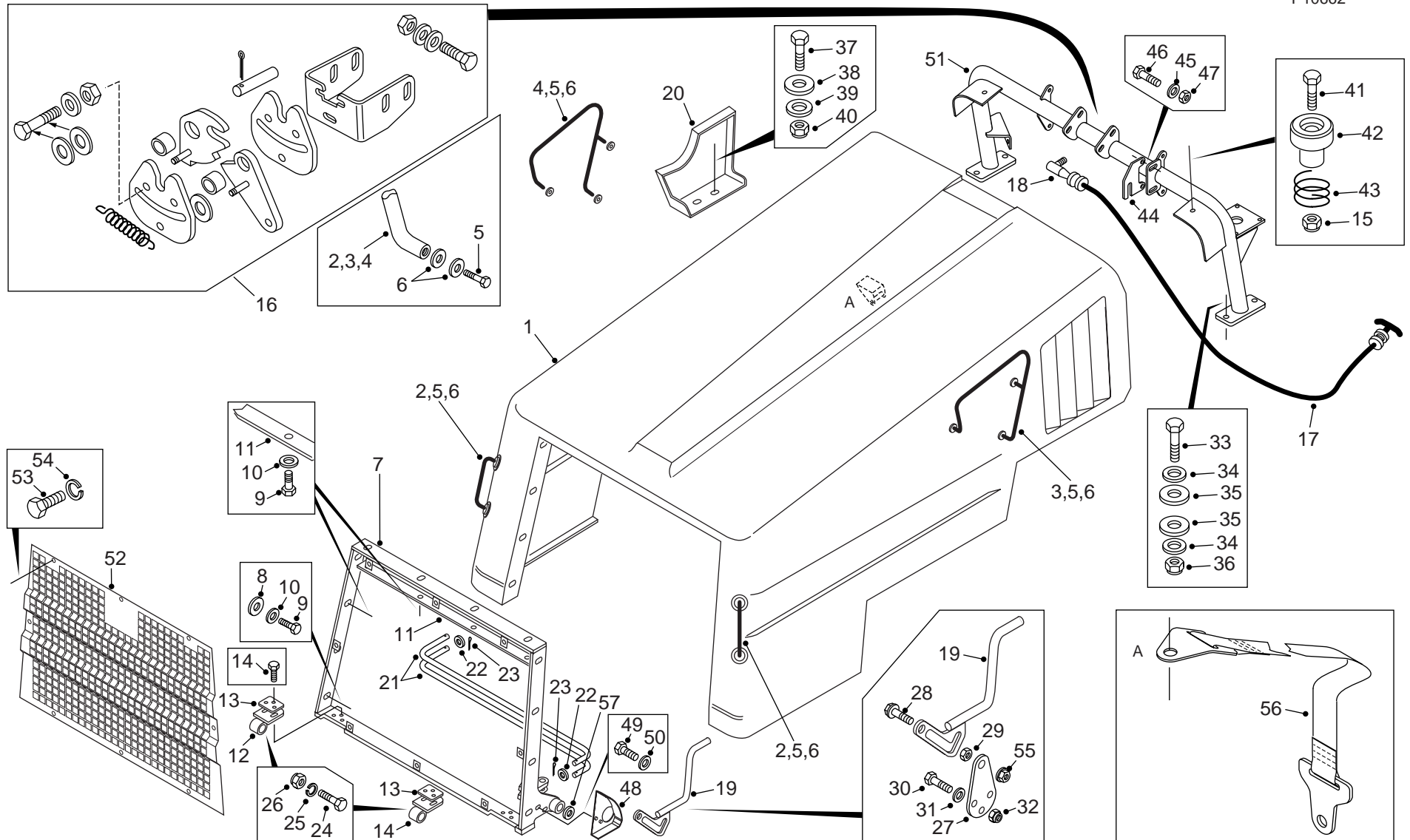
NC	REF	QTY	PART NO.	DESCRIPTION	SER.NO. FROM	SER.NO. TO
039	002		09267949	WASHER-HARDENED		
040	002		06471201	LOCKNUT		
041	002		15309043	PLATE	A7991033	A7991131
042	002		15309039	HINGE	A7991033	A7991131
043	006		06351230	SCREW	A7991033	A7991131
044	001		15309000	PLATE-HOOD CABLE		
045	002		15244714	WASHER		
046	002		06351030	BOLT		
047	002		06471001	NUT		
048	001		15309057	BRACKET		
049	002		06351030	BOLT		
050	002		15249040	SPACER		
051	001		15309699	PLATE-SUPPORT	A7991078	A7991131
052	001		15309738	NUT-FLANGED	A7991060	
053	001		15309560	STRAP-HOOD	A7991060	

R1 06/01 (ECN 102986, ECN 103164, ECN 103530 AND ECN 103595)

100-0040-8001 HOOD AND MOUNTING
SERIAL NO. A7991132 TO A7991353

DRAWING NO. P10662

P10662



100-0040-8001 HOOD AND MOUNTING

SERIAL NO. A7991132 TO A7991353

NC	REF	QTY	PART NO.	DESCRIPTION	SER.NO. FROM	SER.NO. TO
001	001		15307533	HOOD/HINGE ASSY.		
002	002		15306140	.HANDLE (FRONT)		
003	001		15306138	.HANDLE (LHS)		
004	001		15306139	.HANDLE (RHS)		
005	010		15309253	.METRIC BOLT M16 X 35L		
006	020		15307237	.WASHER		
007	001		15309587	.SUBFRAME-HOOD HINGE		
008	002		15309709	.SPACER		
009	012		06351240	.BOLT		
010	012		01967343	.WASHER		
011	001		15309701	.SUPPORT PLATE		
012	002		15309039	.HINGE ASSY.		
013	002		15309043	.PLATE		
014	006		06351230	.BOLT		
015	002		06471001	LOCKNUT		
016	001		15306805	KIT-HOODCATCH		
017	001		15306920	CABLE-HOODCATCH	A7991132	A7991285
017	001		15310545	CABLE-HOODCATCH	A7991286	
018	001		15256961	BALLJOINT		
019	001		15309067	HOOD PROP ASSEMBLY		
020	001		15306218	COVER-BLANKING		
021	002		15307970	TORSION BAR		
022	004		00106264	WASHER		
023	004		00103385	PIN-COTTER		
024	002		15309192	BOLT		
025	002		07161630	LOCKWASHER		
026	002		06471601	LOCKNUT		
027	001		15308774	PLATE-HOOD PROP MTG		
028	001		15309737	BOLT-FLANGED		
029	001		06432001	NUT		
030	003		06351260	BOLT		
031	003		07151220	WASHER		
032	003		06471201	LOCKNUT		
033	004		00179890	BOLT		
034	004		15309558	WASHER D SHAPE		
035	004		00106265	WASHER		
036	004		00274209	LOCKNUT		
037	002		06351030	BOLT		
038	002		07181020	WASHER		
039	002		09024430	WASHER		

100-0040-8001 HOOD AND MOUNTING

SERIAL NO. A7991132 TO A7991353

NC	REF	QTY	PART NO.	DESCRIPTION	SER.NO. FROM	SER.NO. TO
040	002		06471001	LOCKNUT		
041	002		06351050	BOLT		
042	002		15307804	STOP-HOOD		
043	002		09073839	SPRING		
044	001		15309000	PLATE - HOOD CABLE ANC		
045	002		15244714	WASHER-HARDENED		
046	002		06351030	BOLT		
047	002		06471001	LOCKNUT		
048	001		15309057	BRACKET ASSEMBLY - HOO		
049	002		06351030	BOLT		
050	002		15249040	SPACER		
051	001		15306167	SUPPORT ASSY-GOALPOST		
052	001		15309450	HOOD GRILLE		
053	008		00179839	BOLT		
054	008		00108580	LOCKWASHER		
055	001		15309738	NUT-FLANGED		
056	001		15309560	STRAP - HOOD		
057	ASR		15310677	SPACER		

