

## Terex Ta30 Articulated Coal Hauler Parts Book

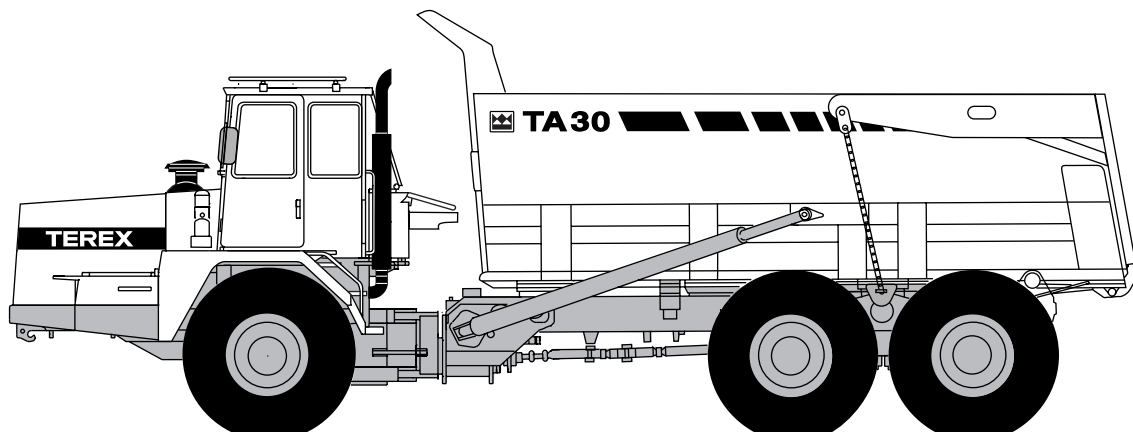
Full download of this manual plus manuals for [terex-ta30-articulated-coal-hauler-parts-book/](#)

[CLICK HERE FOR TRACTOR TABLE OF CONTENTS](#)

[CLICK HERE FOR TRACTOR OPTIONAL TABLE OF CONTENTS](#)

[CLICK HERE FOR TRAILER TABLE OF CONTENTS](#)

[CLICK HERE FOR TRAILER OPTIONAL TABLE OF CONTENTS](#)



# TEREX

## Parts Book

[CLICK HERE TO RETURN TO MAIN LIBRARY INDEX](#)

**Part Number  
15272943**

## TA30 Articulated - Coal Hauler

(Cummins MTA11-C300 Powered with ZF 6WG260 Transmission)

**From Serial No. A7871001**

Feb 99  
Revised Feb 01

PUBLISHED BY:  
PRODUCT SUPPORT DEPARTMENT

TEREX EQUIPMENT LIMITED  
MOTHERWELL, SCOTLAND

THIS PAGE IS INTENTIONALLY LEFT BLANK



## WARRANTY ON PARTS AND ATTACHMENTS

Terex Equipment Limited warrants that for a period of six months after sale of new Terex replacement parts or attachments by an authorised Terex dealer it will repair, or at its option, replace any defective or malfunctioning part or attachment. This warranty covers only malfunctions resulting from defects in material or workmanship.

This warranty does not cover malfunctions resulting from negligence, alteration, accident or overloading; use for a purpose for which the part or attachment is not designed or approved by Terex; loss of time, inconvenience, loss of use of the vehicle or other consequential damages; or labour for removal or reinstallation of defective or malfunctioning parts or attachments.

Repairs or replacements qualifying under this warranty will be performed by any authorised Terex dealer within a reasonable time following delivery of the malfunctioning part or attachment to the dealer's place of business.

Defective or malfunctioning parts or attachments must be delivered to an authorised Terex dealer's place of business during regular business hours for warranty repairs or replacements. The dealer must be furnished with the purchaser's copy of the sales slip or repair order to validate date of purchase.

\* \* \* \* \*

### SOLE WARRANTY

This is the only express warranty applicable to new Terex parts and attachments sold by Terex dealers and Terex neither assumes nor authorises anyone to assume for it any other obligation or liability in connection with such parts or attachments.

THIS PAGE IS INTENTIONALLY LEFT BLANK

## INSTRUCTIONS FOR USE OF TEREX PARTS BOOK

This Parts Book is divided into Major Sections which cover components corresponding to specific areas of the machine.

Printed at the top left hand corner of each Parts Page is an Index Code which includes three numbers - the first of these relates to a Major Section, the second indicates a Sub-section within a Major Section and the last the model PLI number. Certain Major Sections may not apply to the particular model covered in this Parts Book and, consequently, will be omitted.

An illustrated Index page shows all the Major Component Section numbers included in the book. For example -

**SECTION 100 - CHASSIS**

**SECTION 140 - FRONT AXLE GROUP**

**SECTION 230 - BODY HOIST SYSTEM etc.**

Major Component Sections are listed in the 'Table Of Contents' pages together with Sub-section headings.

For example to locate the serviceable items of a Steering Cylinder -

1. The Table of Contents shows the steering components to be in Major Section 220.
2. The steering cylinder is listed in Major Section 220, Sub-section 0120
3. Select the Parts Page Code that applies to the unit Serial number for which parts are needed and locate the Page with reference number.

**EXAMPLE - 220-0120.**

**SERIAL NUMBERS** - Each Parts Book covers a particular range of unit Serial Numbers.

**It is important that unit Serial Numbers are quoted on all orders for Parts.**

**PARTS LISTS** - Parts Forms usually consist of detailed parts information listed on one page together with a parts illustration on the opposite page. The parts list is printed in the order of the reference numbers shown on the parts illustration. The first column lists Note Letters; the second lists the reference numbers; the third shows quantity required and the fourth gives the parts descriptions. Parts which are part of an assembly have their descriptions indented beneath the assembly description.

**ILLUSTRATIONS** - These show typical assemblies and individual piece parts. They are intended for general reference only and may not always show exact details of parts. Parts are identified on each illustration with an item number. Note the item number of the part required and locate it in the parts list. The part number opposite the item number is the part to order.

---

**INDENTATIONS** - Parts which are indented under another part are Sub-groups of a Major Assembly or Sub-assembly. Parts which are not indented are major assemblies or individual component parts which do not belong to a major assembly.

EXAMPLE - 1 9052564 Pump Assy.  
          2 9058512 . Shaft  
          3 9024169 . Ring  
          4 9058132 . Control Assy.  
          5 9058135 . . Spring  
          6 9072162 Gasket

- If you order Item 1, you will receive Items 1 - 5.
- If you order Item 4, you will receive Items 4 and 5.
- If you order Item 6, you will receive only Item 6.

**NOTES** - Whenever there is an alphabetical symbol to the left of the item number, refer to the corresponding note at the bottom of the form for information regarding ordering or application of the particular part number(s) noted.

**ABBREVIATIONS** - The abbreviations in this book have the following meanings -

Amps .....	Amperes	Hsg .....	Housing	N.I .....	Not Illustrated
As R .....	As Required	I.D .....	Inside Diameter	N.L.A .....	No Longer Available
Assy .....	Assembly	L.H .....	Left Hand	N.S.S .....	Not Sold Separately
Brkt .....	Bracket	L.W .....	Lockwasher	O.D .....	Outside Diameter
Cad-Pltd .....	Cadium Plated	Lg .....	Long	Pr .....	Pair
Comm .....	Commencement of production	Lkg .....	Linkage	P.T.O .....	Power-Take-Off
E.S.N .....	Elastic Stop Nut	Mtg .....	Mounting	R.H .....	Right Hand
Ftgs .....	Fittings	N.C .....	Note Code	Std .....	Standard

---



# Articulated Truck



## TRACTOR SECTIONS

	<b>CHASSIS</b>	<b>100</b>
--	----------------	------------


	<b>ENGINE</b>	<b>110</b>
--	---------------	------------

	<b>TRANSMISSION</b>	<b>120</b>
--	---------------------	------------

	<b>DRIVELINE</b>	<b>130</b>
--	------------------	------------

	<b>FRONT AXLE</b>	<b>140</b>
--	-------------------	------------

	<b>BRAKE PARTS</b>	<b>165</b>
--	--------------------	------------

	<b>SUSPENSION SYSTEM</b>	<b>180</b>
--	--------------------------	------------

	<b>ELECTRICAL SYSTEM</b>	<b>190</b>
--	--------------------------	------------

	<b>FUEL SYSTEM</b>	<b>200</b>
--	--------------------	------------

	<b>COOLING SYSTEM</b>	<b>210</b>
--	-----------------------	------------

	<b>STEERING SYSTEM</b>	<b>220</b>
---	------------------------	------------

	<b>BODY HOIST SYSTEM</b>	<b>230</b>
---	--------------------------	------------

	<b>BRAKING SYSTEM</b>	<b>250</b>
---	-----------------------	------------

	<b>CAB</b>	<b>260</b>
---	------------	------------


	<b>MISCELLANEOUS</b>	<b>300</b>
---	----------------------	------------

		
---	--	--

		
---	--	--

		
---	--	--

		
---	--	--

		
---	--	--

**TABLE OF CONTENTS FOR MODEL TA30-COAL HAULER**

**FROM SERIAL NO A7871001**

**26/02/01**

**SECT - PAGE - PLI DESCRIPTION**

**SECTION 100 CHASSIS**

100-0010-7351	CHASSIS	
100-0040-7351	HOOD AND MOUNTING	R1 03/00
100-0070-7351	FENDERS AND MOUNTING	R1 06/99
100-0070-7351	FENDERS AND MOUNTING	R1 03/00
100-0070-7351	FENDERS AND MOUNTING	03/00
100-0135-7351	ROCK AND MUD GUARDS	03/00

**SECTION 110 ENGINE**

110-0020-7351	ENGINE ORDERING INSTRUCTIONS	
110-0030-7351	ENGINE AND MOUNTING	R2 03/00
110-0030-7351	ENGINE AND MOUNTING	R1 08/00
110-0040-7351	FAN & MOUNTING/FAN LINES	08/00
110-0050-7351	AIR CLEANER	R1 05/99
110-0050-7351	AIR CLEANER	05/99
110-0060-7351	AIR CLEANER PIPES AND HOSES	R1 05/99
110-0060-7351	AIR CLEANER PIPES AND HOSES	05/99
110-0070-7351	EXHAUST AND MOUNTING	R1 03/00
110-0140-7351	COUPLING	

**SECTION 120 TRANSMISSION**

120-0010-7351	TRANSMISSION AND MOUNTING	R1 09/99
120-0020-7351	TRANSMISSION BREAKDOWN	
120-0050-7351	CONTROL VALVE	
120-0070-7351	SHIFT CONTROL	R1 06/99
120-0070-7351	SHIFT CONTROL	06/99
120-0100-7351	FILTER	
120-0110-7351	OIL LINES-TRANSMISSION	
120-0220-7351	OIL PUMP	
120-0390-7351	TORQUE CONVERTER	
120-0400-7351	LUBRICATION PIPES	
120-0410-7351	INDUCTIVE TRANSMITTER	
120-0430-7351	ELECTRIC SHIFT CONTROL VALVE	
120-0440-7351	GEARSHIFT	
120-0450-7351	GEARBOX HOUSING	R2 08/99
120-0460-7351	CLUTCH ASSEMBLY KV+K1	
120-0470-7351	CLUTCH ASSEMBLY KR+K2	
120-0480-7351	CLUTCH ASSEMBLY K4+K3	
120-0490-7351	RETARDER	
120-0491-7351	RETARDER OIL PIPES	
120-0500-7351	PTO MAIN HYDRAULIC PUMP	

**SECT - PAGE - PLI DESCRIPTION**

**SECTION 120 TRANSMISSION**

120-0510-7351	PTO STEERING PUMP	
120-0520-7351	DRIVE ASSEMBLY	R1 06/99
120-0530-7351	LAYSHAFT GEARING	
120-0540-7351	DIFFERENTIAL	
120-0550-7351	AXLE DISCONNECT	

**SECTION 130 DRIVELINE**

130-0010-7351	FRONT DRIVELINE	R2 08/00
130-0010-7351	FRONT DRIVELINE	R1 08/00

**SECTION 140 FRONT AXLE**

140-0010-7351	AXLE COMPLETE-FRONT	R1 03/00
140-0010-7351	AXLE COMPLETE-FRONT	03/00
140-0010-7351	AXLE COMPLETE-FRONT	03/00
140-0020-7351	AXLE GROUP-FRONT	R1 03/00
140-0020-7351	AXLE GROUP-FRONT	03/00
140-0020-7351	AXLE GROUP-FRONT	03/00
140-0030-7351	PLANETARY GEARING-FRONT	R1 03/00
140-0030-7351	PLANETARY GEARING-FRONT	03/00
140-0030-7351	PLANETARY GEARING-FRONT	03/00
140-0040-7351	WHEEL, RIM AND TYRE-FRONT	R1 05/99
140-0060-7351	DIFFERENTIAL-FRONT	R1 03/00
140-0060-7351	DIFFERENTIAL-FRONT	03/00
140-0060-7351	DIFFERENTIAL-FRONT	03/00

**SECTION 165 BRAKE PARTS**

165-0010-7351	BRAKE PARTS-ARTICS	R1 03/00
165-0010-7351	BRAKE PARTS-ARTICS	03/00
<b>165-0010-7351</b>	<b>BRAKE PARTS-ARTICS</b>	<b>R1 02/01</b>
165-0050-7351	BRAKE PARTS-ARTICS	R1 03/00
165-0050-7351	BRAKE PARTS-ARTICS	03/00

**SECTION 180 SUSPENSION SYSTEM**

<b>180-0020-7351</b>	<b>FRONT SUSPENSION</b>	<b>R1 02/01</b>
----------------------	-------------------------	-----------------

**SECTION 190 ELECTRICAL SYSTEM**

190-0030-7351	CABLES/HARNESSES-CAB	
190-0040-7351	CABLES/HARNESSES-CHASS/ENG	R1 06/99
190-0040-7351	CABLES/HARNESSES-CHASS/ENG	R1 03/00



**TABLE OF CONTENTS FOR MODEL TA30-COAL HAULER**

**FROM SERIAL NO A7871001**

**26/02/01**

**SECT - PAGE - PLI DESCRIPTION**

**SECTION 190 ELECTRICAL SYSTEM**

190-0040-7351	CABLES/HARNESSES-CHASS/ENG	03/00
190-0070-7351	BATTERY AND CABLES	R3 03/00
190-0070-7351	BATTERY AND CABLES	03/00
190-0080-7351	BATTERY MOUNTING	
190-0100-7351	ELECTRICAL LIGHTING SYSTEM	
190-0270-7351	SWITCHES AND SENSORS	R1 05/99
190-0300-7351	RADIO CASSETTE AND SPEAKERS	R1 05/99
190-0300-7351	RADIO CASSETTE AND SPEAKERS	05/99
190-0310-7351	ELECTRICAL HORN	R1 05/99
190-0310-7351	ELECTRICAL HORN	05/99

**SECTION 200 FUEL SYSTEM**

200-0010-7351	FUEL TANK AND MOUNTING	
200-0040-7351	FUEL LINES	
200-0050-7351	ACCELERATOR LINKAGE	R2 03/00
200-0050-7351	ACCELERATOR LINKAGE	03/00

**SECTION 210 COOLING SYSTEM**

210-0010-7351	RADIATOR ASSEMBLY	R1 03/00
210-0010-7351	RADIATOR ASSEMBLY	03/00
210-0020-7351	RADIATOR MOUNTING	
210-0030-7351	RADIATOR PIPING	R2 03/00
210-0040-7351	RADIATOR HEADER TANK AND HOSES	R1 06/99
210-0060-7351	OIL COOLER AND PIPING-TRANS	R2 03/00

**SECTION 220 STEERING SYSTEM**

220-0010-7351	STEERING LINES	R2 03/00
220-0050-7351	PUMP-STEERING	
220-0070-7351	ACCUMULATOR VALVE	
220-0080-7351	ACCUMULATOR-STEERING	
220-0090-7351	STEERING VALVE	
220-0120-7351	STEERING CYLINDER	R1 03/00
220-0120-7351	STEERING CYLINDER	03/00
220-0130-7351	RELIEF VALVE-STEERING	
220-0150-7351	FILTER-STEERING	
220-0230-7351	STEERING COLUMN MOUNTING	R1 03/00
220-0230-7351	STEERING COLUMN MOUNTING	03/00

**SECT - PAGE - PLI DESCRIPTION**

**SECTION 230 BODY HOIST SYSTEM**

230-0020-7351	LINES AND FITTINGS-BODY HOIST	R1 09/99
230-0021-7351	SERVO CONTROL LINES-BODY	R1 09/99
230-0040-7351	TANK AND MOUNTING-BODY HOIST	R1 05/99
230-0040-7351	TANK AND MOUNTING-BODY HOIST	R1 03/00
230-0050-7351	PUMP-BODY HOIST	
230-0060-7351	CONTROL VALVE-BODY HOIST	R1 03/99
230-0081-7351	JOYSTICK-BODY CONTROL	
230-0121-7351	PILOT SUPPLY VALVE	R1 05/99

**SECTION 250 BRAKING SYSTEM**

250-0010-7351	BRAKE LINES-AIR	R1 05/99
250-0010-7351	BRAKE LINES-AIR	R1 03/00
<b>250-0020-7351</b>	<b>BRAKE LINES-HYDRAULIC</b>	<b>R1 02/01</b>
250-0070-7351	TREADLE VALVE	R1 03/00
250-0170-7351	AIR TANK AND MOUNTING	
250-0190-7351	CONTROL VALVE-BRAKES	
250-0200-7351	AIR DRIER	R1 03/00
250-0200-7351	AIR DRIER	03/00
250-0220-7351	AIR DRIER LINES	R1 06/99
250-0260-7351	BRAKE CHAMBER/PRESS CONVERTER	
250-0280-7351	RELAY VALVE	

**SECTION 260 CAB**

260-0010-7351	CAB ASSEMBLY	R1 06/99
260-0010-7351	CAB ASSEMBLY	R1 09/99
260-0015-7351	CAB MOUNTING	R1 03/00
260-0030-7351	CAB DOOR-LEFT HAND	R1 08/99
260-0080-7351	SWITCHES AND INSTRUMENTS	R1 03/00
260-0080-7351	SWITCHES AND INSTRUMENTS	03/00
260-0090-7351	SEAT-DRIVER	R2 03/00
260-0090-7351	SEAT-DRIVER	03/00
260-0110-7351	SEAT-PASSENGER	R1 03/00
260-0110-7351	SEAT-PASSENGER	03/00
260-0130-7351	AIR COND./HEATER	R4 03/00
260-0130-7351	AIR COND./HEATER	R1 08/00
260-0140-7351	HEATER LINES	
260-0145-7351	AIR COND. LINES	R2 03/00
260-0190-7351	WINDSCREEN WASHER	

TABLE OF CONTENTS FOR MODEL TA30-COAL HAULER

FROM SERIAL NO A7871001

26/02/01

SECT - PAGE - PLI    DESCRIPTION

SECT - PAGE - PLI    DESCRIPTION

**SECTION 300**

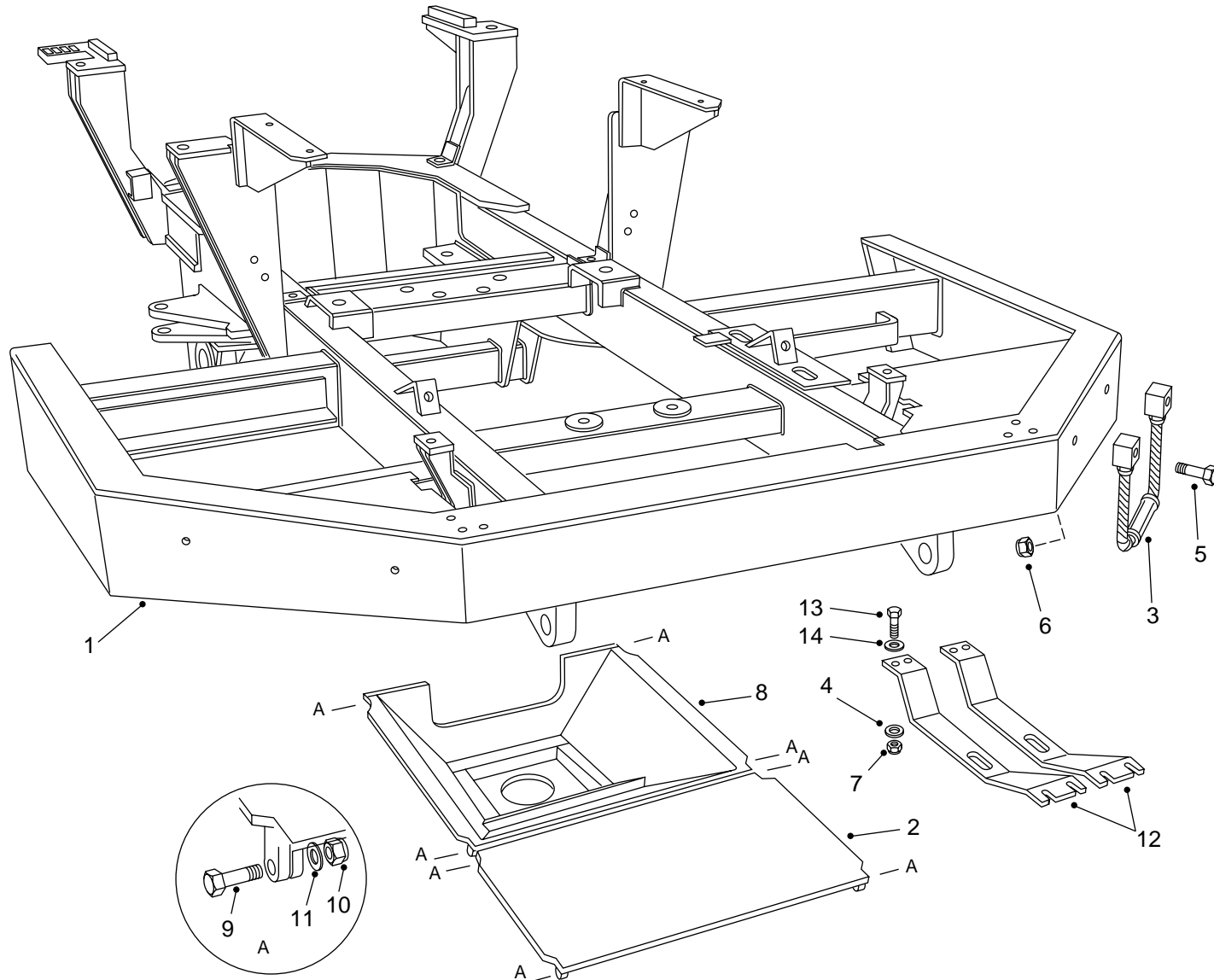
300-0040-7351 MULTI-TUBE CLAMPS AND HARDWARE    06/99

THIS PAGE IS INTENTIONALLY LEFT BLANK

100-0010-7351 CHASSIS  
FROM SERIAL NO. A7871001

DRAWING NO. P9244

P9244



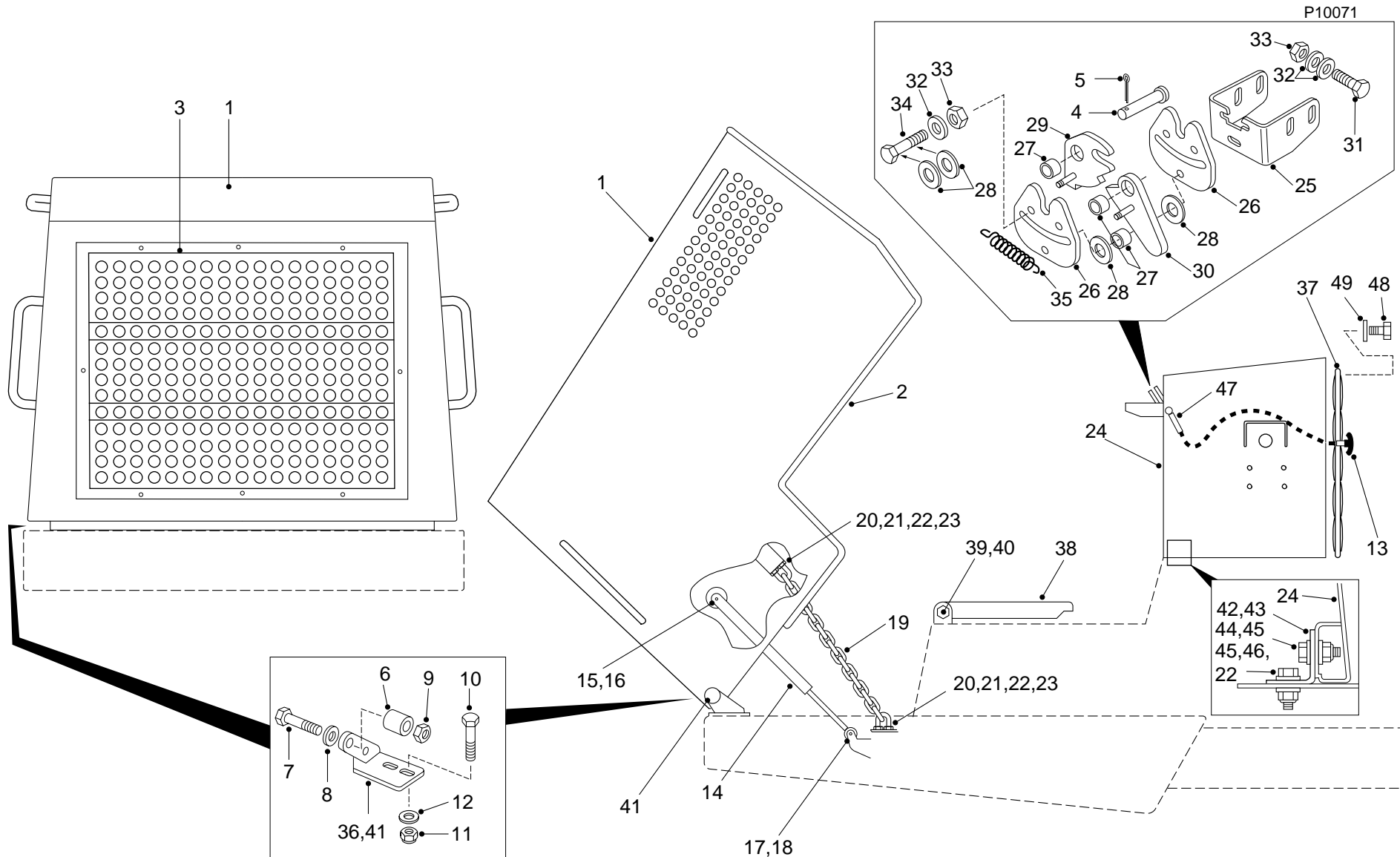
**100-0010-7351 CHASSIS**  
FROM SERIAL NO. A7871001

NC	REF	QTY	PART NO.	DESCRIPTION	SER.NO. FROM	SER.NO. TO
001	001		15300663	FRAME ASSY		
002	001		15252839	GUARD-FRONT SUMP		
003	002		15255698	STEP ASSY		
004	004		00108580	LOCKWASHER		
005	004		00179892	BOLT		
006	004		00274209	LOCKNUT		
007	004		00102635	NUT		
008	001		15252837	GUARD-REAR SUMP		
009	008		15252867	BOLT		
010	008		06471601	LOCKNUT		
011	008		07151630	WASHER		
012	002		15245361	GUARD-AIR TANK		
013	001		00179841	BOLT		
014	004		00106263	WASHER		

R1 03/00 (ECN 101356 AND ECN 101595)

100-0040-7351 HOOD AND MOUNTING  
FROM SERIAL NO. A7871001

DRAWING NO. P10071



**100-0040-7351 HOOD AND MOUNTING**  
FROM SERIAL NO. A7871001

NC	REF	QTY	PART NO.	DESCRIPTION	SER.NO. FROM	SER.NO. TO
001	001		15303951	HOOD		
002	002		15017388	.SEAL		
003	001		15303934	.GRILLE		
004	001		15256380	.PIN-CLEVIS		
005	001		00103397	.PIN-COTTER		
006	002		15245059	BEARING-NYLON		
007	002		00271568	BOLT		
008	004		09065332	WASHER		
009	002		09354243	LOCKNUT		
010	004		00179841	BOLT		
011	004		00274208	LOCKNUT		
012	004		00106263	WASHER		
013	001		15256649	CABLE-HOOD CATCH		
014	002		15305259	STRUT-GAS		
015	002		00179822	BOLT		
016	003		00103320	LOCKWASHER		
017	002		15238617	BOLT		
018	002		09414094	LOCKNUT		
019	002		15305261	CHAIN		
020	004		15246583	BOLT-U		
021	008		06431001	NUT		
022	008		06471001	LOCKNUT		
023	004		00106265	WASHER		
024	001		15303746	COWL		
025	001		15255981	.BRACKET-ADJUSTABLE		
026	002		15255947	.PLATE		
027	003		15255976	.BUSH		
028	004		07152030	.WASHER		
029	001		15255956	.PLATE ASSY-CAM		
030	001		15255957	.PLATE ASSY-CAM		
031	004		06351240	.BOLT		
032	011		01967343	.WASHER		
033	007		06471201	.LOCKNUT		
034	003		06351260	.BOLT		
035	001		15255985	.SPRING		
036	001		15306933	BRACKET-RH		
038	001		15305260	PLATE ASSY		
037	001		15300111	QUILT REAR COWL		
039	001		00179885	BOLT		
040	001		00274209	LOCKNUT		

**100-0040-7351 HOOD AND MOUNTING**  
FROM SERIAL NO. A7871001

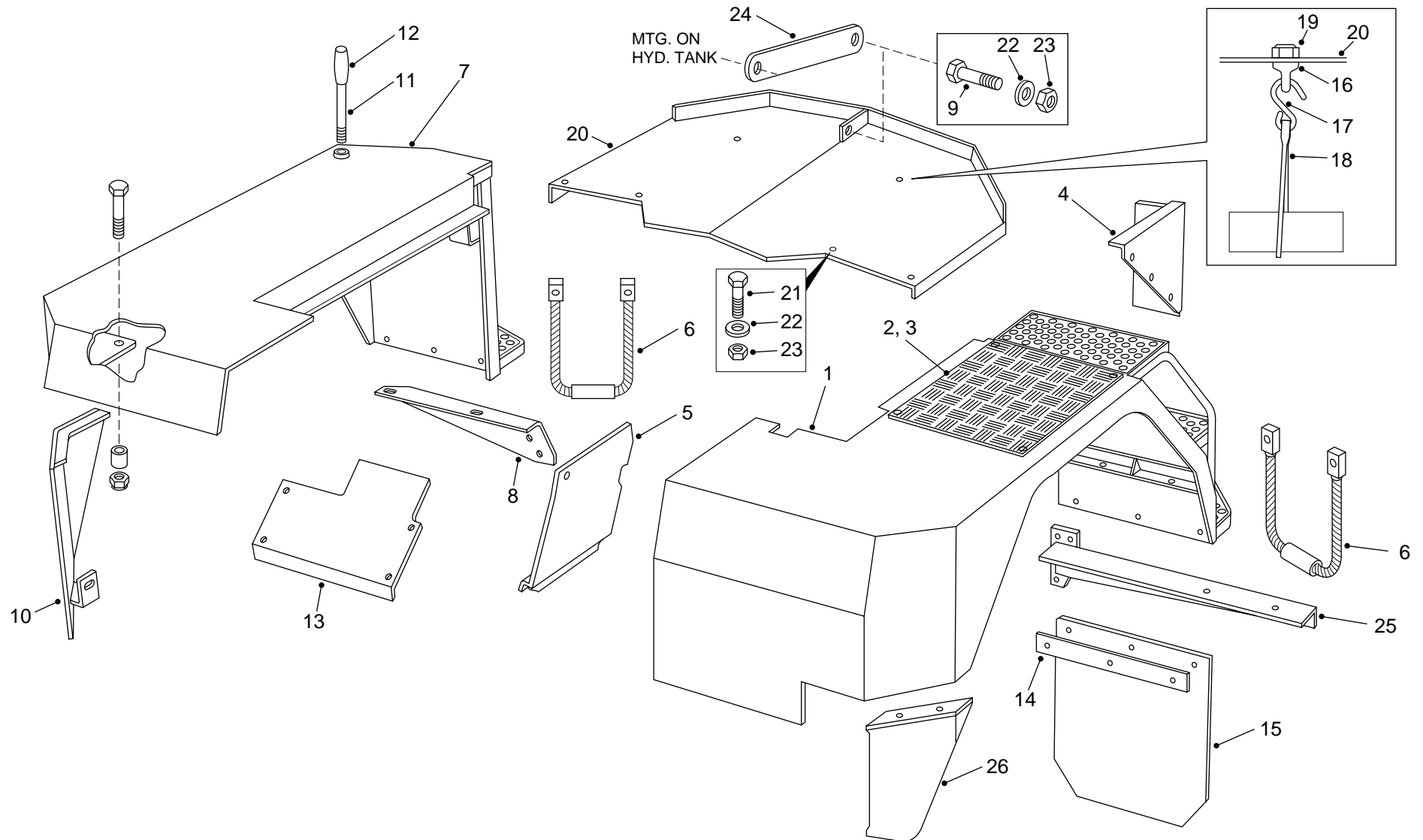
NC	REF	QTY	PART NO.	DESCRIPTION	SER.NO. FROM	SER.NO. TO
041	001		15306932	BRACKET-LH		
042	001		15255094	BRACKET-LH		
043	001		15255127	BRACKET-RH		
044	006		06351020	BOLT		
045	006		07181020	WASHER		
046	004		06351030	BOLT		
047	001		15256961	BALLJOINT		
048	007		06351225	BOLT		
049	007		15234758	WASHER		

R1 06/99

**100-0070-7351 FENDERS AND MOUNTING**  
SERIAL NO. A7871001 TO A7871016

DRAWING NO. P9864

P9864





**100-0070-7351 FENDERS AND MOUNTING**

SERIAL NO. A7871001 TO A7871016

NC	REF	QTY	PART NO.	DESCRIPTION	SER.NO. FROM	SER.NO. TO
	001	001	15258359	FENDER RHS		
	002	001	15272137	.TREAD PLATE		
	003	004	15272138	.SCREW-C/SUNK		
	004	001	15247769	PANEL-LH		
	005	001	15248041	PLATE-BENT		
	006	002	15255698	STEP ASSY		
	007	001	15258358	FENDER RHS		
	008	001	15247755	SUPPORT-RH		
	009	002	06351035	BOLT		
	010	001	15236434	PLATE-RH		
	011	001	15244275	HANDLE		
	012	001	09366021	GRIP		
	013	001	15300970	PLATE BENT		
	014	002	15244260	PLATE		
	015	002	15244264	MUDFLAP		
	016	002	15256651	BOLT-EYE		
	017	004	15256652	S-HOOK		
A	018	002	15301160	RUBBER TENSIONER		
	019	002	06471201	LOCKNUT		
	020	001	15256621	GUARD-SPILL		
	021	004	06351030	BOLT		
	022	006	07151020	WASHER		
	023	006	06471001	LOCKNUT		
	024	001	15256043	PLATE-SUPPORT		
	025	001	15247757	SUPPORT-LH		
	026	001	15236430	PLATE-LH		

## NOTE:

A 15301160 RUBBER TENSIONER HAS 'S'-HOOKS INCLUDED.



**100-0070-7351 FENDERS AND MOUNTING**

SERIAL NO. A7871017 TO A7871017

NC	REF	QTY	PART NO.	DESCRIPTION	SER.NO. FROM	SER.NO. TO
	001	001	15258359	FENDER LHS		
	002	001	15272137	.TREAD PLATE		
	003	004	15272138	.SCREW-C/SUNK		
	004	001	15247769	PANEL-LH		
	005	001	15248041	PLATE-BENT		
	006	002	15303970	STEP ASSEMBLY		
	007	001	15258358	FENDER ASSEMBLY RHS		
	008	001	15247755	SUPPORT-RH		
	009	002	06351035	BOLT		
	010	001	15236434	CONTOUR PLATE ASSEMBLY		
	011	001	15244275	HANDLE		
	012	001	09366021	GRIP		
	013	001	15300970	PLATE BENT		
	014	002	15244260	PLATE		
	015	001	15304936	MUDFLAP L.H.S.-FRONT		
	016	002	15256651	BOLT-EYE		
A	018	002	15301160	RUBBER TENSIONER		
	019	002	06431201	NUT		
	020	001	15256621	GUARD-SPILL		
	021	004	06351030	BOLT T50		
	022	006	07151020	WASHER		
	023	006	06471001	LOCKNUT		
	024	001	15256043	PLATE-SUPPORT		
	025	001	15247757	SUPPORT-LH		
	026	001	15236430	PLATE-LH		
	027	001	15304935	MUDFLAP R.H.S.-FRONT		
	028	004	15303969	STIFFENER-MUDFLAP		
	029	006	06350825	BOLT		
	030	004	07160830	LOCKWASHER		
	031	002	06470801	NUT		
	032	006	00179820	BOLT		
	033	006	00103320	LOCKWASHER		
	034	006	00102634	NUT		

## NOTES:

A 15301160 RUBBER TENSIONER HAS S -HOOKS INCLUDED

03/00 (ECN 101305 AND ECN 102178)

100-0070-7351 FENDERS AND MOUNTING  
FROM SERIAL NO. A7871018

DRAWING NO. P10345

