

Terex Ta25 27 Articulated Truck Parts Book

Full download of manual please click here for [terex-ta25-27-articulated-truck-parts-book/](#)

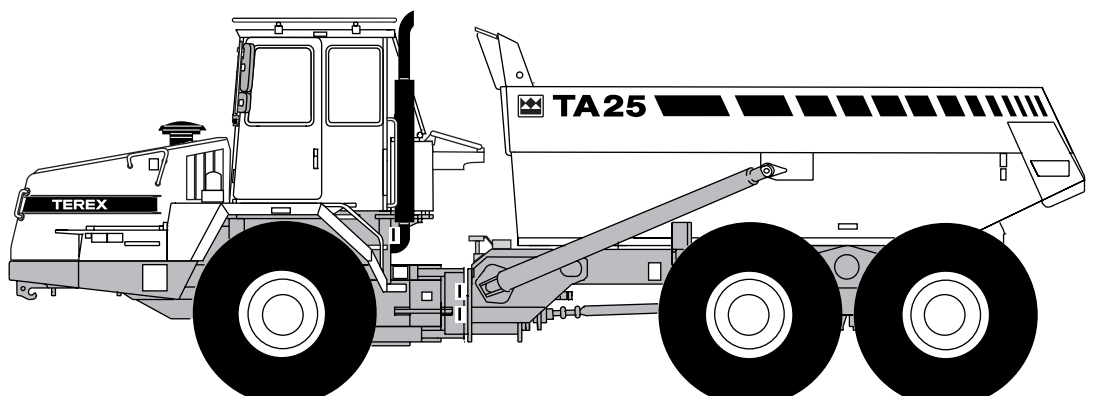
[CLICK HERE FOR TRACTOR TABLE OF CONTENTS](#)

[CLICK HERE FOR TRACTOR OPTIONAL TABLE OF CONTENTS](#)

[CLICK HERE FOR TRAILER TABLE OF CONTENTS](#)

[CLICK HERE FOR TRAILER OPTIONAL TABLE OF CONTENTS](#)

P10453



TEREX

Parts Book

[CLICK HERE TO RETURN TO MAIN LIBRARY INDEX](#)

Part Number
15274226

TA25/TA27 Articulated Truck

(Cummins 6CTA 8.3-C260 Powered with ZF 6WG210 Transmission)

From Serial No. A8051001

19 June 2000
Revised Jan 02

PUBLISHED BY:
PRODUCT SUPPORT DEPARTMENT

TEREX EQUIPMENT LIMITED
MOTHERWELL, SCOTLAND

THIS PAGE IS INTENTIONALLY LEFT BLANK



WARRANTY ON PARTS AND ATTACHMENTS

Terex Equipment Limited warrants that for a period of six months after sale of new Terex replacement parts or attachments by an authorised Terex dealer it will repair, or at its option, replace any defective or malfunctioning part or attachment. This warranty covers only malfunctions resulting from defects in material or workmanship.

This warranty does not cover malfunctions resulting from negligence, alteration, accident or overloading; use for a purpose for which the part or attachment is not designed or approved by Terex; loss of time, inconvenience, loss of use of the vehicle or other consequential damages; or labour for removal or reinstallation of defective or malfunctioning parts or attachments.

Repairs or replacements qualifying under this warranty will be performed by any authorised Terex dealer within a reasonable time following delivery of the malfunctioning part or attachment to the dealer's place of business.

Defective or malfunctioning parts or attachments must be delivered to an authorised Terex dealer's place of business during regular business hours for warranty repairs or replacements. The dealer must be furnished with the purchaser's copy of the sales slip or repair order to validate date of purchase.

* * * * *

SOLE WARRANTY

This is the only express warranty applicable to new Terex parts and attachments sold by Terex dealers and Terex neither assumes nor authorises anyone to assume for it any other obligation or liability in connection with such parts or attachments.

THIS PAGE IS INTENTIONALLY LEFT BLANK

INSTRUCTIONS FOR USE OF TEREX PARTS BOOK

This Parts Book is divided into Major Sections which cover components corresponding to specific areas of the machine.

Printed at the top left hand corner of each Parts Page is an Index Code which includes three numbers - the first of these relates to a Major Section, the second indicates a Sub-section within a Major Section and the last the model PLI number. Certain Major Sections may not apply to the particular model covered in this Parts Book and, consequently, will be omitted.

An illustrated Index page shows all the Major Component Section numbers included in the book. For example -

SECTION 100 - CHASSIS

SECTION 140 - FRONT AXLE GROUP

SECTION 230 - BODY HOIST SYSTEM etc.

Major Component Sections are listed in the 'Table Of Contents' pages together with Sub-section headings.

For example to locate the serviceable items of a Steering Cylinder -

1. The Table of Contents shows the steering components to be in Major Section 220.
2. The steering cylinder is listed in Major Section 220, Sub-section 0120
3. Select the Parts Page Code that applies to the unit Serial number for which parts are needed and locate the Page with reference number.

EXAMPLE - 220-0120.

SERIAL NUMBERS - Each Parts Book covers a particular range of unit Serial Numbers.

It is important that unit Serial Numbers are quoted on all orders for Parts.

PARTS LISTS - Parts Forms usually consist of detailed parts information listed on one page together with a parts illustration on the opposite page. The parts list is printed in the order of the reference numbers shown on the parts illustration. The first column lists Note Letters; the second lists the reference numbers; the third shows quantity required and the fourth gives the parts descriptions. Parts which are part of an assembly have their descriptions indented beneath the assembly description.

ILLUSTRATIONS - These show typical assemblies and individual piece parts. They are intended for general reference only and may not always show exact details of parts. Parts are identified on each illustration with an item number. Note the item number of the part required and locate it in the parts list. The part number opposite the item number is the part to order.

INDENTATIONS - Parts which are indented under another part are Sub-groups of a Major Assembly or Sub-assembly. Parts which are not indented are major assemblies or individual component parts which do not belong to a major assembly.

EXAMPLE - 1 9052564 Pump Assy.
 2 9058512 . Shaft
 3 9024169 . Ring
 4 9058132 . Control Assy.
 5 9058135 . . Spring
 6 9072162 Gasket

- If you order Item 1, you will receive Items 1 - 5.
- If you order Item 4, you will receive Items 4 and 5.
- If you order Item 6, you will receive only Item 6.

NOTES - Whenever there is an alphabetical symbol to the left of the item number, refer to the corresponding note at the bottom of the form for information regarding ordering or application of the particular part number(s) noted.

ABBREVIATIONS - The abbreviations in this book have the following meanings -

Amps	Amperes	Hsg	Housing	N.I	Not Illustrated
As R	As Required	I.D	Inside Diameter	N.L.A	No Longer Available
Assy	Assembly	L.H	Left Hand	N.S.S	Not Sold Separately
Brkt	Bracket	L.W	Lockwasher	O.D	Outside Diameter
Cad-Pltd	Cadium Plated	Lg	Long	Pr	Pair
Comm	Commencement of production	Lkg	Linkage	P.T.O	Power-Take-Off
E.S.N	Elastic Stop Nut	Mtg	Mounting	R.H	Right Hand
Ftgs	Fittings	N.C	Note Code	Std	Standard




Articulated Truck



TRACTOR SECTIONS

	CHASSIS	100
--	----------------	------------

	ENGINE	110
--	---------------	------------


	TRANSMISSION	120
--	---------------------	------------

	DRIVELINE	130
--	------------------	------------

	FRONT AXLE	140
--	-------------------	------------

	BRAKE PARTS	165
--	--------------------	------------

	SUSPENSION SYSTEM	180
--	--------------------------	------------

	ELECTRICAL SYSTEM	190
--	--------------------------	------------

	FUEL SYSTEM	200
--	--------------------	------------

	COOLING SYSTEM	210
--	-----------------------	------------

	STEERING SYSTEM	220
---	------------------------	------------


	BODY HOIST SYSTEM	230
---	--------------------------	------------

	BRAKING SYSTEM	250
---	-----------------------	------------


	CAB	260
---	------------	------------


	DECALS	290
---	---------------	------------

	MISCELLANEOUS	300
---	----------------------	------------

		
---	--	--

		
---	--	--

		
---	--	--

		
---	--	--

SECT - PAGE - PLI DESCRIPTION

SECTION 100 CHASSIS

100-0010-8061	CHASSIS	R1 02/01
100-0010-8061	CHASSIS	02/01
100-0010-8061	CHASSIS	02/01
100-0040-8061	HOOD AND MOUNTING	R1 02/01
100-0040-8061	HOOD AND MOUNTING	R1 06/01
100-0040-8061	HOOD AND MOUNTING	06/01
100-0070-8061	FENDERS AND MOUNTING	
100-0135-8061	ROCK AND MUD GUARDS	

SECTION 110 ENGINE

110-0020-8061	ENGINE ORDERING INSTRUCTIONS	
110-0030-8061	ENGINE AND MOUNTING	
110-0030-8061	ENGINE AND MOUNTING	R1 01/02
110-0040-8061	FAN & MOUNTING/FAN LINES	02/01
110-0050-8061	AIR CLEANER	
110-0060-8061	AIR CLEANER PIPES AND HOSES	
110-0070-8061	EXHAUST AND MOUNTING	R1 02/01
110-0070-8061	EXHAUST AND MOUNTING	02/01
110-0080-8061	EXHAUST BRAKE	R1 09/00
110-0140-8061	COUPLING	R1 01/02
110-0140-8061	COUPLING	01/02

SECTION 120 TRANSMISSION

120-0010-8061	TRANSMISSION MOUNTING	R2 01/02
120-0020-8061	TRANSMISSION BREAKDOWN	R1 01/02
120-0020-8061	TRANSMISSION BRREAKDOWN	01/02
120-0070-8061	SHIFT CONTROL	R1 02/01
120-0070-8061	SHIFT CONTROL	R1 01/02
120-0070-8061	SHIFT CONTROL	01/02
120-0100-8061	FILTER	
120-0110-8061	OIL LINES-TRANSMISSION	
120-0220-8061	OIL PUMP	
120-0390-8061	TORQUE CONVERTER	
120-0400-8061	LUBRICATION PIPES	
120-0410-8061	INDUCTIVE TRANSMITTER	
120-0430-8061	ELECTRIC SHIFT CONTROL VALVE	
120-0440-8061	GEARSHIFT	
120-0450-8061	GEARBOX HOUSING	
120-0455-8061	COUPLING K1	

SECT - PAGE - PLI DESCRIPTION

SECTION 120 TRANSMISSION

120-0465-8061	COUPLING K2	
120-0475-8061	COUPLING K3	
120-0485-8061	COUPLING K4	
120-0495-8061	COUPLING KV	
120-0500-8061	PTO MAIN HYDRAULIC PUMP	
120-0505-8061	COUPLING KR	
120-0515-8061	EMERGENCY STEERING PUMP	
120-0520-8061	INPUT-DRIVE ASSEMBLY	
120-0540-8061	DIFFERENTIAL	
120-0550-8061	AXLE DISCONNECT	
120-0570-8061	INPUT	
120-0590-8061	SPEEDOMETER	
120-0600-8061	PRESSURE REGULATOR	
120-0640-8061	FILLER NECK	
120-0900-8061	LOOSE PARTS-TRANSMISSION	

SECTION 130 DRIVELINE

130-0010-8061	FRONT DRIVELINE	R1 02/01
130-0010-8061	FRONT DRIVELINE	R1 06/01
130-0010-8061	FRONT DRIVELINE	R1 01/02
130-0010-8061	FRONT DRIVELINE	01/02

SECTION 140 FRONT AXLE

140-0010-8061	AXLE COMPLETE-FRONT	R1 02/01
140-0010-8061	AXLE COMPLETE-FRONT	02/01
140-0020-8061	AXLE GROUP-FRONT	R1 06/01
140-0020-8061	AXLE GROUP-FRONT	06/01
140-0030-8061	PLANETARY GEARING-FRONT	R1 06/01
140-0030-8061	PLANETARY GEARING-FRONT	06/01
140-0040-8061	WHEEL, RIM AND TYRE-FRONT	
140-0060-8061	DIFFERENTIAL-FRONT	R1 06/01
140-0060-8061	DIFFERENTIAL-FRONT	06/01

SECTION 165 BRAKE PARTS

165-0010-8061	BRAKE PARTS-ARTICS	R2 06/01
165-0010-8061	BRAKE PARTS-ARTICS	06/01
165-0050-8061	BRAKE GUARDS	R2 01/02

TABLE OF CONTENTS FOR MODEL

TA25/27

FROM SERIAL NO A8051001

28/01/02

SECT - PAGE - PLI DESCRIPTION

SECTION 180 SUSPENSION SYSTEM

180-0020-8061 FRONT SUSPENSION R2 01/02

SECTION 190 ELECTRICAL SYSTEM

190-0010-8061 TERMINALS
 190-0011-8061 CONNECTORS
190-0030-8061 CABLES/HARNESSES-CAB R2 01/02
 190-0040-8061 CABLES/HARNESSES-CHASS/ENG R1 06/01
 190-0070-8061 BATTERY AND CABLES
 190-0080-8061 BATTERY MOUNTING R2 06/01
 190-0080-8061 BATTERY MOUNTING 06/01
 190-0100-8061 ELECTRICAL LIGHTING SYSTEM R1 06/01
 190-0100-8061 ELECTRICAL LIGHTING SYSTEM 06/01
190-0170-8061 FLOODLAMP/SPOTLIGHT/WORK LIGHT 01/02
 190-0270-8061 SWITCHES AND SENSORS
190-0300-8061 RADIO CASSETTE AND SPEAKERS R1 01/02
190-0300-8061 RADIO CASSETTE AND SPEAKERS 01/02
 190-0310-8061 ELECTRICAL HORN

SECTION 200 FUEL SYSTEM

200-0010-8061 FUEL TANK AND MOUNTING R2 02/01
 200-0010-8061 FUEL TANK AND MOUNTING R1 06/01
 200-0010-8061 FUEL TANK AND MOUNTING 06/01
 200-0040-8061 FUEL LINES
 200-0050-8061 ACCELERATOR LINKAGE

SECTION 210 COOLING SYSTEM

210-0010-8061 RADIATOR ASSEMBLY R1 02/01
 210-0010-8061 RADIATOR ASSEMBLY 02/01
 210-0010-8061 RADIATOR ASSEMBLY 02/01
 210-0020-8061 RADIATOR MOUNTING R1 02/01
 210-0020-8061 RADIATOR MOUNTING R1 06/01
 210-0030-8061 RADIATOR PIPING R1 02/01
 210-0030-8061 RADIATOR PIPING R1 06/01
 210-0030-8061 RADIATOR PIPING 06/01
 210-0040-8061 RADIATOR HEADER TANK AND HOSES R1 02/01
 210-0040-8061 RADIATOR HEADER TANK AND HOSES 02/01
 210-0060-8061 OIL COOLER AND PIPING-TRANS R2 02/01
 210-0060-8061 OIL COOLER AND PIPING-TRANS R2 08/01
 210-0060-8061 OIL COOLER AND PIPING-TRANS 06/01
 210-0065-8061 OIL COOLER 06/01

SECT - PAGE - PLI DESCRIPTION

SECTION 220 STEERING SYSTEM

220-0010-8061 STEERING LINES R1 02/01
 220-0010-8061 STEERING LINES 02/01
 220-0010-8061 STEERING LINES R1 06/01
 220-0090-8061 STEERING VALVE
 220-0105-8061 PRIORITY VALVE R1 02/01
 220-0120-8061 STEERING CYLINDER R1 02/01
 220-0120-8061 STEERING CYLINDER 02/01
 220-0140-8061 EMERGENCY STEERING VALVE
 220-0230-8061 STEERING COLUMN MOUNTING

SECTION 230 BODY HOIST SYSTEM

230-0020-8061 LINES AND FITTINGS-BODY HOIST R3 01/02
230-0040-8061 TANK AND MOUNTING-BODY HOIST R1 01/02
 230-0050-8061 PUMP-BODY HOIST
 230-0060-8061 CONTROL VALVE-BODY HOIST R1 02/01
 230-0081-8061 JOYSTICK-BODY CONTROL R1 06/01
 230-0081-8061 JOYSTICK-BODY CONTROL 06/01
 230-0121-8061 PILOT SUPPLY VALVE

SECTION 250 BRAKING SYSTEM

250-0010-8061 BRAKE LINES-AIR R2 01/02
250-0020-8061 BRAKE LINES-HYDRAULIC R2 01/02
 250-0070-8061 TREADLE VALVE
 250-0190-8061 CONTROL VALVE-BRAKES
 250-0200-8061 AIR DRIER
 250-0260-8061 BRAKE CHAMBER/PRESS CONVERTER
 250-0290-8061 PRESSURE PROTECTION VALVE

SECTION 260 CAB

260-0010-8061 CAB ASSEMBLY R2 08/01
 260-0010-8061 CAB ASSEMBLY R2 08/01
260-0010-8061 CAB ASSEMBLY R2 01/02
 260-0015-8061 CAB MOUNTING R1 06/01
 260-0030-8061 CAB DOOR-LEFT HAND R1 08/01
 260-0080-8061 SWITCHES AND INSTRUMENTS R1 02/01
 260-0090-8061 SEAT-DRIVER R2 08/01
 260-0090-8061 SEAT-DRIVER 08/01
 260-0110-8061 SEAT-PASSENGER
 260-0130-8061 AIR CONDITIONER/HEATER
 260-0140-8061 HEATER LINES AND WIRING

TABLE OF CONTENTS FOR MODEL

TA25/27

FROM SERIAL NO A8051001

28/01/02

SECT - PAGE - PLI DESCRIPTION

SECT - PAGE - PLI DESCRIPTION

SECTION 260 CAB

260-0145-8061 AIR CONDITIONER LINES R1 02/01
260-0145-8061 AIR CONDITIONER LINES 02/01
260-0145-8061 AIR CONDITIONER LINES 02/01
260-0190-8061 WINDSCREEN WASHER

SECTION 290 DECALS

290-0010-8061 DECALS-ENGLISH R1 06/01
290-0010-8061 DECALS-ENGLISH R1 01/02

SECTION 300 MISCELLANEOUS

300-0040-8061 MULTI-TUBE CLAMPS AND HARDWARE

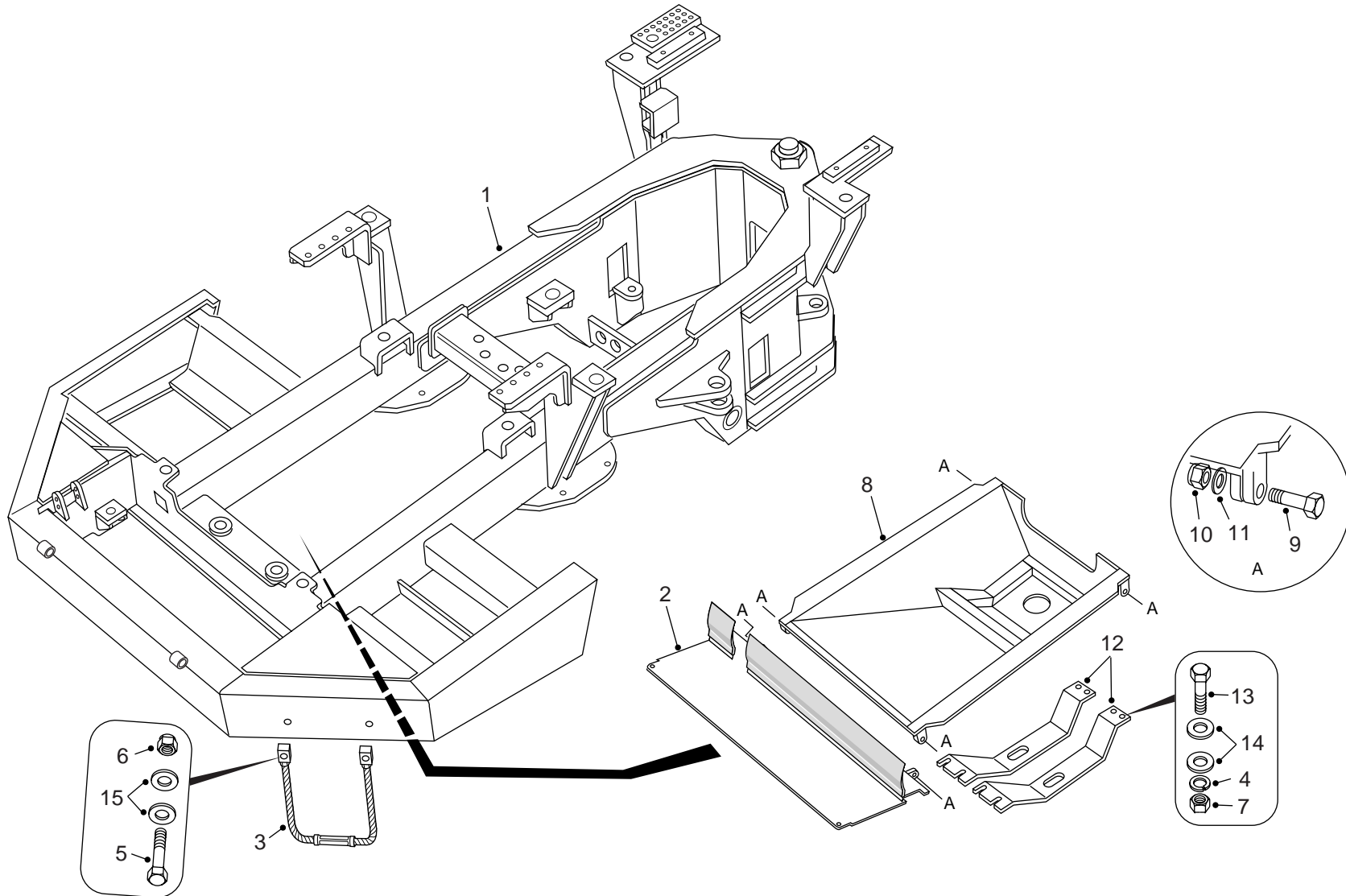
THIS PAGE IS INTENTIONALLY LEFT BLANK

R1 02/01 (ECN 102953)

100-0010-8061 CHASSIS
SERIAL NO. A8051001 TO A8051032

DRAWING NO. P10406

P10406



100-0010-8061 CHASSIS

SERIAL NO. A8051001 TO A8051032

NC	REF	QTY	PART NO.	DESCRIPTION	SER.NO. FROM	SER.NO. TO
001	001		15306507	FRAME ASSY-TA25		
002	001		15306565	SUMP GUARD ASSY. FRONT		
003	002		15255698	STEP ASSY		
004	008		00108580	LOCKWASHER		
005	004		00179892	BOLT		
006	004		00274209	LOCKNUT		
007	008		00102635	NUT		
008	001		15306469	REAR SUMP GUARD		
009	008		15252867	BOLT		
010	008		06471601	LOCKNUT		
011	008		07151630	WASHER		
012	002		15245361	GUARD-AIR TANK		
013	004		00179843	BOLT		
014	008		00106263	WASHER		
015	008		07151220	WASHER		

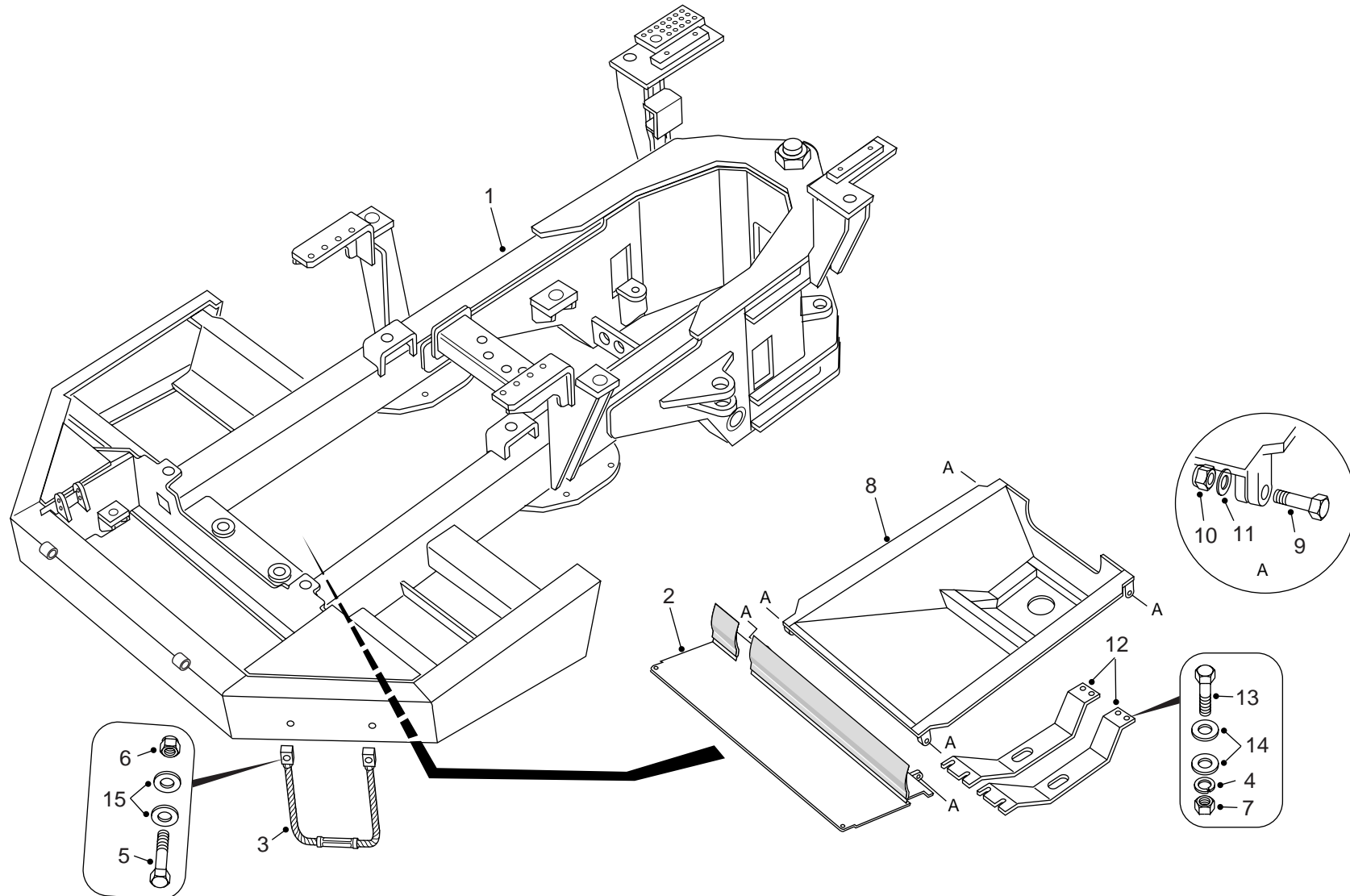
02/01 (ECN 102953 AND ECN 103036)

100-0010-8061 CHASSIS

SERIAL NO. A8051033 TO A8051112

DRAWING NO. P10406

P10406



100-0010-8061 CHASSIS

SERIAL NO. A8051033 TO A8051112

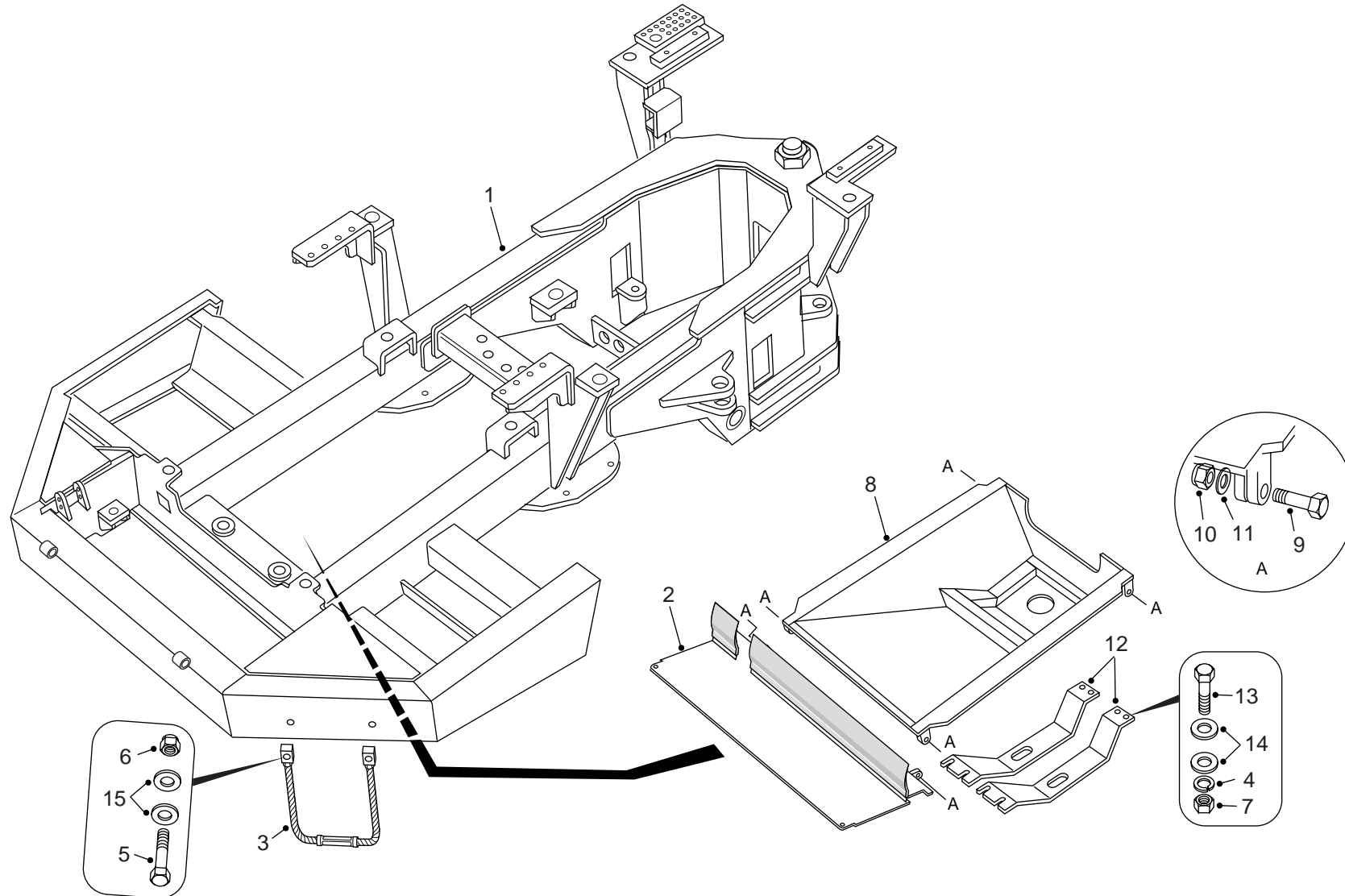
NC	REF	QTY	PART NO.	DESCRIPTION	SER.NO. FROM	SER.NO. TO
001	001		15309811	FRAME ASSY-TA25		
002	001		15309135	SUMP GUARD ASSY. FRONT		
003	002		15255698	STEP ASSY		
004	008		00108580	LOCKWASHER		
005	004		00179892	BOLT		
006	004		00274209	LOCKNUT		
007	008		00102635	NUT		
008	001		15306469	REAR SUMP GUARD		
009	008		15252867	BOLT		
010	008		06471601	LOCKNUT		
011	008		07151630	WASHER		
012	002		15245361	GUARD-AIR TANK		
013	004		00179843	BOLT		
014	008		00106263	WASHER		
015	008		07151220	WASHER		

02/01 (ECN 102993 AND ECN 103426)

100-0010-8061 CHASSIS
FROM SERIAL NO. A8051113

DRAWING NO. P10406

P10406



100-0010-8061 CHASSIS
 FROM SERIAL NO. A8051113

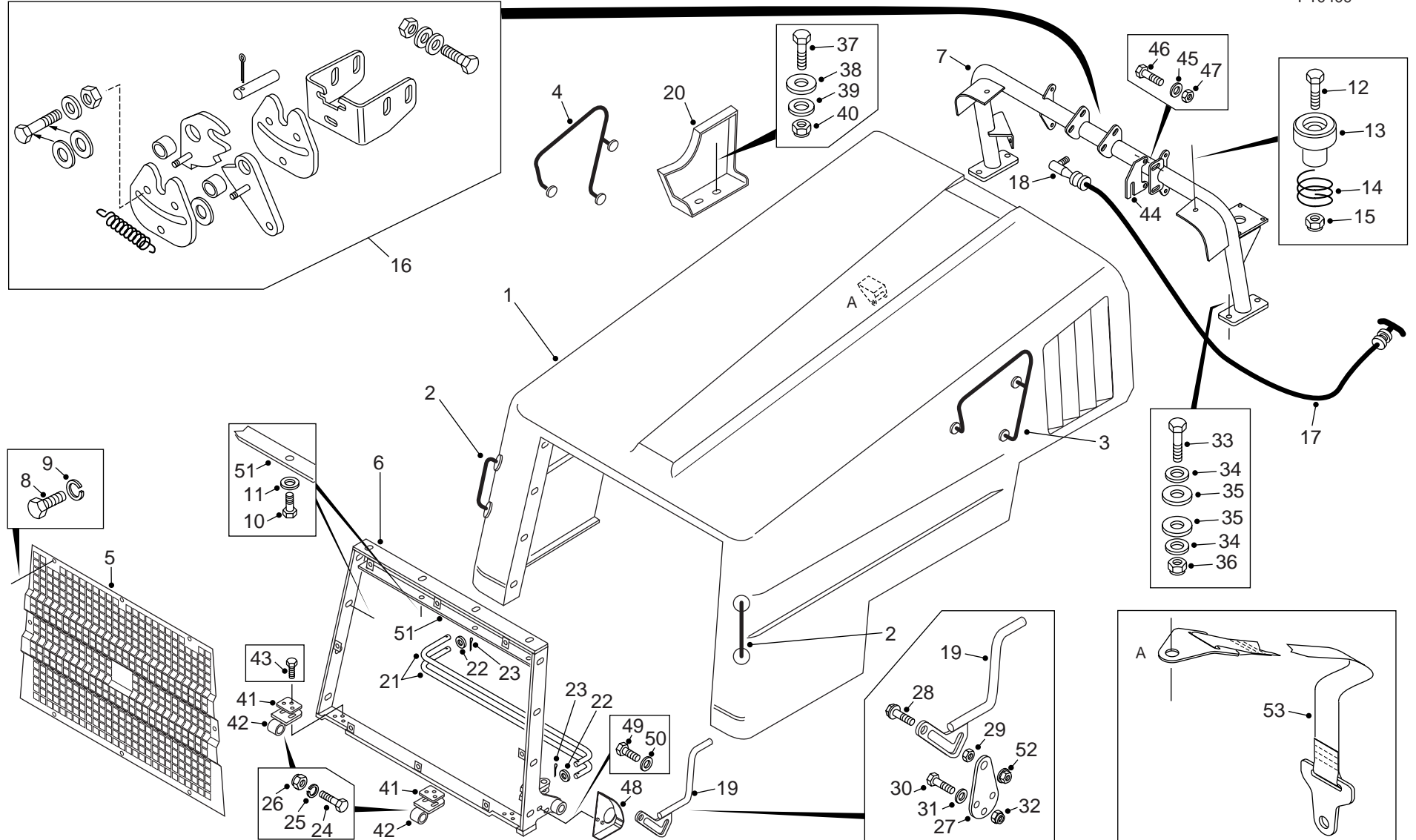
NC	REF	QTY	PART NO.	DESCRIPTION	SER.NO. FROM	SER.NO. TO
001	001		15309932	FRAME ASSY-TA25	A8051113	A8051165
001	001		15310544	FRAME ASSY-TA25	A8051166	
002	001		15306565	SUMP GUARD ASSY. FRONT		
003	002		15255698	STEP ASSY		
004	008		00108580	LOCKWASHER		
005	004		00179892	BOLT		
006	004		00274209	LOCKNUT		
007	008		00102635	NUT		
008	001		15306469	REAR SUMP GUARD		
009	008		15252867	BOLT		
010	008		06471601	LOCKNUT		
011	008		07151630	WASHER		
012	002		15245361	GUARD-AIR TANK		
013	004		00179843	BOLT		
014	008		00106263	WASHER		
015	008		07151220	WASHER		

R1 02/01 (ECN 103004 AND ECN 103107)

100-0040-8061 HOOD AND MOUNTING
SERIAL NO. A8051001 TO A8051095

DRAWING NO. P10409

P10409



100-0040-8061 HOOD AND MOUNTING

SERIAL NO. A8051001 TO A8051095

NC	REF	QTY	PART NO.	DESCRIPTION	SER.NO. FROM	SER.NO. TO
001	001		15306112	HOOD ASSY-FIBRE GLASS		
002	002		15306140	.HANDLE (FRONT)		
003	001		15306138	.HANDLE (LHS)		
004	001		15306139	.HANDLE (RHS)		
005	001		15309450	GRILLE-HOOD		
006	001		15309406	SUBFRAME-HOOD HINGE		
007	001		15306167	SUPPORT ASSY-GOALPOST		
008	008		00179839	BOLT		
009	008		00108580	LOCKWASHER		
010	012		06351240	BOLT		
011	012		01967343	WASHER		
012	002		06351050	BOLT		
013	002		15307804	STOP-HOOD		
014	002		09073839	SPRING		
015	002		06471001	LOCKNUT		
016	001		15306805	KIT-HOODCATCH		
017	001		15306920	CABLE-HOODCATCH		
018	001		15256961	BALLJOINT		
019	001		15309067	HOOD PROP ASSEMBLY		
020	001		15306218	COVER-BLANKING		
021	002		15307970	TORSION BAR		
022	004		00106264	WASHER		
023	004		00103385	PIN-COTTER		
024	002		15309192	BOLT		
025	002		07161630	LOCKWASHER		
026	002		06471601	LOCKNUT		
027	001		15308774	PLATE-HOOD PROP MTG		
028	001		15309737	BOLT-FLANGED		
029	001		06432001	NUT		
030	003		06351260	BOLT		
031	003		07151220	WASHER		
032	003		06471201	LOCKNUT		
033	004		00179890	BOLT		
034	008		09270004	WASHER		
035	008		00106265	WASHER		
036	004		00274209	LOCKNUT		
037	002		06351245	BOLT		
038	002		09262391	WASHER-HDN		
039	002		09267949	WASHER-HDN		
040	002		06471201	LOCKNUT		

100-0040-8061 HOOD AND MOUNTING

SERIAL NO. A8051001 TO A8051095

NC	REF	QTY	PART NO.	DESCRIPTION	SER.NO. FROM	SER.NO. TO
041	002		15309043	PLATE		
042	002		15309039	HINGE		
043	006		06351230	SCREW		
044	001		15309000	PLATE-HOOD CABLE		
045	002		15244714	WASHER		
046	002		06351030	BOLT		
047	002		06471001	NUT		
048	001		15309057	BRACKET		
049	002		06351030	BOLT		
050	002		15249040	SPACER		
051	001		15309699	PLATE-SUPPORT	A8051042	A8051095
052	001		15309738	NUT-FLANGED		
053	001		15309560	STRAP-HOOD		

R1 06/01 (ECN 103164, ECN 103530 AND ECN 103595)

100-0040-8061 HOOD AND MOUNTING
SERIAL NO. A8051096 TO A8051292

DRAWING NO. P10662

P10662

