



Master Part Manual

Compact Track Loader

PT-50

Part Number: 0200-682

Printed (7-12)

(Revision 10/31/2012)

Table of Contents

1. Cab (R.O.P.S.) Assembly		15. Lift Arm Assembly	
Serial # DTC 03056-03132	1-A	Serial # DTC 03056-03132	15-A
Serial # DTC 03133-Current*	1-B	Serial # DTC 03133-Current*	15-B
2. Light Bar Assembly		16. Lift Arm Tubes and Fittings	
Serial # DTC 03056-Current*	2-A	Serial # DTC 03056-Current*	16-A
3. Enclosed Cab (R.O.P.S.) Assembly		17. Quick Attach Assembly	
(Optional) Serial # DTC 03056-03132	3-A	Serial # DTC 03056-Current*	17-A
(Optional) Serial # DTC 03133-Current*	3-B	18. Hydraulic Quick Attach Assembly	
4. Chassis Assembly		(Optional) Serial # DTC 03056-Current*	18-A
Serial # DTC 03056-03132	4-A	19. Cab Heater Assembly	
Serial # DTC 03133-Current*	4-B	(Optional) Serial # DTC 03056-Current*	19-A
5. Hood Assembly		20. Heater/Air Conditioning Assembly	
Serial # DTC 03056-Current*	5-A	(Optional) Serial # DTC 03056-Current*	20-A
6. Radiator/Oil Cooler Assembly		21. Track Installation Tool	
Serial # DTC 03056-Current*	6-A	(Tool) Serial # DTC 03056-Current*	21-A
7. Hydraulic Reservoir Assembly		22. Safety Decals U.S. (ANSI)	
Serial # DTC 03056-Current*	7-A	Serial # DTC 03056-Current*	22-A
8. Hydraulic Control Assembly		23. Safety Decals ROW (ISO)	
Serial # DTC 03056-03610	8-A	Serial # DTC 03056-Current*	23-A
Serial # DTC 03611-Current*	8-B	24. Machines Graphics	
9. Drive/Auxiliary Pump Assembly		Serial # DTC 03056-Current*	24-A
Serial # DTC 03056-03610	9-A		
Serial # DTC 03611-Current*	9-B		
10. Engine Assembly			
Serial # DTC 03056-Current*	10-A		
11. Fuse Panel Assembly			
Serial # DTC 03056-Current*	11-A		
12. Torsion Axle Assembly			
Serial # DTC 03056-03353	12-A		
Serial # DTC 03354-Current*	12-B		
13. Undercarriage Assembly (RT)			
Serial # DTC 03056-03129	13-A		
Serial # DTC 03130-03356	13-B		
Serial # DTC 03357-Current*	13-C		
14. Undercarriage Assembly (LT)			
Serial # DTC 03056-03129	14-A		
Serial # DTC 03130-03356	14-B		
Serial # DTC 03357-Current*	13-C		

* Current refers to the machines being produced at the time this manual was printed. See manual cover for print date.

GENERAL SERVICE ITEMS & LUBRICANTS

<u>ITEM</u>	<u>MANUFACTURER/DESCRIPTION</u>	<u>PART NUMBER</u>
-Engine Oil Filter	Perkins	0200-377
-Primary Air Filter	Donaldson (P822768)	0200-339
-Secondary Air Filter	Donaldson (P822769)	0200-340
-Engine Fuel Filter	Perkins (26560017)	0200-213
-Fuel screen	Perkins (130366110)	0200-561
-Water Separator O-ring		0201-985
-Fan Belt (qty: 2 without A/C, 1 with A/C)	Gates	2045-793
-A/C Belt (qty: 1 with A/C)	Gates (A48K)	0201-645
-Antifreeze/Coolant (1 gal.)	Ethylene Glycol (long life)	0300-766
-Antifreeze/Coolant (Case/6 gal.)	Ethylene Glycol (long life)	0402-841
-Engine Oil (1 qt.)	Multi-Grade 10W-30	0300-767
-Engine Oil (Case/12 qt.)	Multi-Grade 10W-30	0402-838
-Engine Oil (1 gal.)	Multi-Grade 10W-30	0402-839
-Engine Oil (Case/6 gal.)	Multi-Grade 10W-30	0402-840
-Grease (1 Tube)	Multi-Purpose Lithium	0300-769
-Grease (Box/10 Tubes)	Multi-Purpose Lithium	0402-844
-Grease (Case/40 Tubes)	Multi-Purpose Lithium	0402-834

HYDRAULIC SERVICE ITEMS & LUBRICANTS

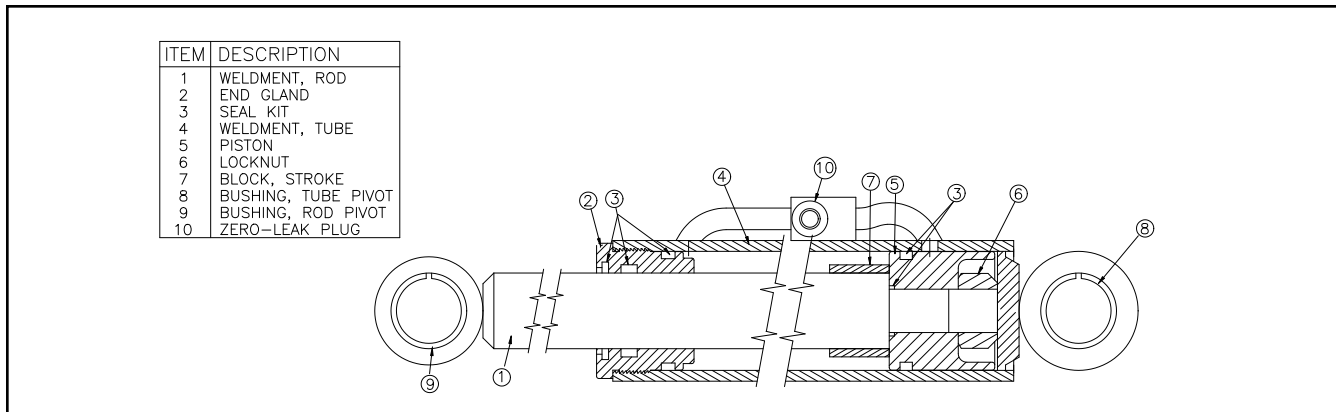
<u>ITEM</u>	<u>DESCRIPTION</u>	<u>PART NUMBER</u>
-Hydraulic Oil Filter	MP Filter (MF1003A10HB)	0200-204
-Kit, Seal, Loader Valve & Relief	Fits Loader Valve (P/N:0304-020)	2010-094

<u>O-RING</u>	<u>PART NUMBER</u>
# 4, ORB Type	0314-366
# 6, ORB Type	0310-619
# 8, ORB Type	0307-353
# 10, ORB Type	0310-620
# 12, ORB Type	0310-621
# 16, ORB Type	0307-354
# 20, ORB Type	0310-832

CYLINDER SERVICE ITEMS

Serial #: 03056-03133

- RH-Bucket/Tilt P/N: 2030-287
- LH-Bucket/Tilt P/N: 2030-286
 - Lift-Arm P/N: 2030-285



ITEM

- Kit, Seal, Bucket/Tilt Cylinder
- Rod, Bucket/Tilt Cylinder
- End Gland, Bucket/Tilt Cylinder
- Nut, Bucket/Tilt Cylinder

- Kit, Seal, Lift Arm Cylinder
- End Gland, Lift Arm Cylinder
- Rod, Lift Arm Cylinder
- Nut, Lift Arm Cylinder

MANUFACTURER/DESCRIPTION

- Fits Cylinder (P/N:2030-286/287)
- Fits Cylinder (P/N:2030-286/287)
- Fits Cylinder (P/N:2030-286/287)
- Fits Cylinder (P/N:2030-286/287)

- Fits Cylinder (P/N:2030-285)
- Fits Cylinder (P/N:2030-285)
- Fits Cylinder (P/N:2030-285)
- Fits Cylinder (P/N:2030-285)

PART NUMBER

- 0081-030
- 0003-044
- 0003-045
- 0003-037

- 0081-031
- 0003-045
- 0003-050
- 0003-037

Serial #: 03133-Current

- RH-Bucket/Tilt P/N: 2030-579
- LH-Q/A P/N: 2046-316
- LH-Bucket/Tilt P/N: 2030-578
- RH-Q/AP/N: 2046-317
- Lift-Arm P/N: 2030-577

ITEM

- Kit, Seal, Bucket/Tilt Cylinder
- Rod, Bucket/Tilt Cylinder
- End Gland, Bucket/Tilt Cylinder
- Nut, Bucket/Tilt Cylinder

- Kit, Seal, Lift Arm Cylinder
- End Gland, Lift Arm Cylinder
- Rod, Lift Arm Cylinder
- Nut, Lift Arm Cylinder

- Kit, Seal, Q/A Cylinder

MANUFACTURER/DESCRIPTION

- Fits Cylinder (P/N:2030-578/579)
- Fits Cylinder (P/N:2030-578/579)
- Fits Cylinder (P/N:2030-578/579)
- Fits Cylinder (P/N:2030-578/579)

- Fits Cylinder (P/N:2030-577)
- Fits Cylinder (P/N:2030-577)
- Fits Cylinder (P/N:2030-577)
- Fits Cylinder (P/N:2030-577)

- Fits Cylinder (P/N:0201-970/971)
- Fits Cylinder (P/N:2046-316/317)

PART NUMBER

- 2030-650
- 2030-660
- 2030-658
- 2030-656

- 2030-651
- 2030-658
- 2030-659
- 2030-656

- 0003-063
- 2076-292

* Current refers to the machines being produced at the time this manual was printed. See manual cover for print date.