



**TC35**

# Mini Excavator

Minibagger  
Pelles Sur Chenilles  
Mini Excavator



**Illustrated Parts Catalog**  
**Ersatzteilkatalog**  
**Catalogue pièces**  
**Catálogo de repuestos**

Serial No.: TC0035 0557 - XXXX  
Issue date: 09-January-2014  
Language: en, de, fr, es  
Revision No.: 2.00  
Reference No.: 5780400005

**WORKS FOR YOU.™**



Terex Compact Germany GmbH  
Kraftwerkstrasse 4  
74564 Crailsheim  
Deutschland  
Tel +49(0)7951 9357-0  
Fax +49(0)7951 9357 671  
E-mail [info@terex-Compact.com](mailto:info@terex-Compact.com)  
[www.terexconstruction.com](http://www.terexconstruction.com)

Händler  
Dealer  
Concessionnaire  
Distribuidor

Notizen  
Notes  
Notas

<b>Overview</b>		<b>Inhalt</b>		<b>Table des matières</b>		<b>Contenido</b>	
<b>English</b>	Page	<b>Deutsch</b>	Seite	<b>Français</b>	Page	<b>Español</b>	Página
Table of content English	2	Inhaltsverzeichnis englisch	2	Table des matières anglais	2	Índice inglés	2
Table of content German	4	Inhaltsverzeichnis deutsch	4	Table des matières allemand	4	Índice alemán	4
Table of content French	6	Inhaltsverzeichnis französisch	6	Table des matières français	6	Índice francés	6
Table of content Spanish	8	Inhaltsverzeichnis Spanisch	8	Table des matières Espagnol	8	Índice Español	8
Important notes: Catalog, Ordering, Repair	10	Wichtige Hinweise: Katalog, Bestellung, Reparatur	12	Remarques importantes : catalogue, commande, réparation	14	Información importante: catálogo, pedido, reparación	16
Alphanumeric parts list	241	Teilenummernliste (alphanumerisch)	241	List des références (alphanumérique)	241	Lista de referencias (alfanumérica)	241

## Table of content - English

Chapter	Heading	Page	Chapter	Heading	Page
<b>0.000</b>	<b>Inspection Parts And Aids</b> .....	<b>18</b>	5.004	Slew Bucket - Quickly Releasable 1000, 1200 Mm .....	116
0.100	Inspection Parts And Aids .....	18	5.007	Grab Suspension With Hydraulic Installation Type G11.....	120
<b>1.000</b>	<b>Undercarriage</b> .....	<b>20</b>	5.008	Bucket, Ditch Cleaning Bucket - Direct Mounted .....	122
1.002	Undercarriage, Dozer Blade .....	20	5.009	Slew Bucket - Direct Mounted 1000, 1200 Mm .....	126
1.005	Slew Equipment.....	22	5.011	Hydraulic Hammer With Hydraulic Installation.....	130
<b>2.000</b>	<b>Uppercarriage</b> .....	<b>24</b>	<b>6.000</b>	<b>Engine With Attachments</b> .....	<b>132</b>
2.001	Uppercarriage .....	24	6.001	Engine Assembly, Pump Assembly .....	132
2.002	Oil Tank .....	28	6.002	Mounting Parts - Engine .....	136
2.003	Diesel Tank .....	32	6.003	Accelerator, Heating .....	140
2.004	Operator'S Cab - Glasses, Mounting Parts .....	36	6.030	Refilling Pump.....	144
2.005	Operator'S Cab - Equipment .....	40	<b>7.000</b>	<b>Hydraulic Installation</b> .....	<b>148</b>
2.006	Operator'S Cab - Equipment, Electrical Installation.....	44	7.001	Hydraulic Installation - Circulation .....	148
2.007	Cover, Driver'S Seat.....	48	7.002	Hydraulic Installation - Servo Controls .....	152
2.008	Cover, Engine Cover .....	54	7.003	Hydraulic Installation - Drive, Dozer Blade.....	156
2.010	Valve Control Mechanic .....	58	7.005	Hydraulic Installation - Slewing, Articulation .....	160
2.011	Cover Set - Uppercarriage .....	62	7.006	Hydraulic Installation - Working Equipment >Tc00350370.....	164
2.012	Cab'S Roof, Working Flood Light .....	66	7.007	Hydraulic Installation - Add. Outlet .....	168
2.016	Stickers Terex .....	70	7.009	Hydraulic Installation - Pressureless Return Line .....	172
2.017	Stickers Usa .....	74	7.011	Hydraulic Installation - Changeover Iso / Sae .....	176
2.020	Tools With Device For Handling By Crane .....	78	7.012	Hydraulic Installation - Load Control Valve Working Equipment .....	180
2.025	Operator'S Seat Gs12 .....	80	7.013	Hydraulic Installation - Travel Motions Alarm .....	184
2.027	Operator'S Seat Msg20.....	82	<b>8.000</b>	<b>Hydraulic Components</b> .....	<b>186</b>
2.029	Operator'S Seat Msg85.....	84	8.001	Valve Bank Sx12 5606660538 .....	186
2.030	Operator'S Seat-Suspension Msg85 .....	88	8.006	Remote Control .....	190
<b>3.000</b>	<b>Crawler</b> .....	<b>92</b>	8.006.1	Remote Control 0901-Xxxx .....	192
3.001	Undercarriage, Travel Drive .....	92	8.007	Rotary Transfer 5383670003 .....	194
<b>4.000</b>	<b>Working Equipments</b> .....	<b>96</b>	8.008	Displacement Pump 5364662478.....	196
4.001	King Post .....	96	8.009	Slew Drive 5527665180.....	200
4.002	Digging Attachment -0691 .....	100	8.010	Travel Gear 5712661820 .....	202
4.002.1	Digging Attachment 0692-Xxxx .....	104	8.015	Hydraulic Cylinder - Bucket Z 70/35 .....	206
<b>5.000</b>	<b>Attachments</b> .....	<b>108</b>	8.016	Hydraulic Cylinder - Stick Z 70/45 .....	210
5.001	Quick Mount Hitch .....	108	8.017	Hydraulic Cylinder - Boom Z 90/45 .....	212
5.002	Bucket With Ejector - Quickly Releasabel 300 Mm .....	112	8.018	Hydraulic Cylinder - Articulation Z 80/40 .....	216
5.003	Bucket, Ditch Cleaning Bucket Quickly Releasable.....	114			

## Table of content - English

Chapter	Heading	Page	Chapter	Heading	Page
8.019	Hydraulic Cylinder - Dozer Blade 90/40 .....	220			
<b>9.000</b>	<b>Electrical Installation .....</b>	<b>224</b>			
9.001	Electrical Installation - Instrument Panel .....	224			
9.002	Electrical Installation - Upper-carriage, Engine .....	230			
9.003	Working Flood Light, Yellow Beacon .....	234			
9.030	Electrical Installation -Travel Motions Alarm .....	238			

## Inhaltsverzeichnis deutsch

Kapitel	Überschrift	Seite	Kapitel	Überschrift	Seite
<b>0.000</b>	<b>Inspektionsteile Und -Mittel .....</b>	<b>18</b>	5.004	Schwenkloeffel – Schnellwechselbar 1000, 1200 Mm..	116
0.100	Inspektionsteile Und Mittel .....	18	5.007	Greiferaufhaengung Mit Hydraulikinstallation Typ G11.....	120
<b>1.000</b>	<b>Unterbagen.....</b>	<b>20</b>	5.008	Tiefloeffel, Grabenreinigungsloeffel - Direktanbau .....	122
1.002	Unterbagen, Frontraeumschild.....	20	5.009	Schwenkloeffel – Direktanbau 1000, 1200 Mm.....	126
1.005	Schwenkeinrichtung .....	22	5.011	Hydraulikhammer Mit Hydraulikinstallation .....	130
<b>2.000</b>	<b>Oberwagen .....</b>	<b>24</b>	<b>6.000</b>	<b>Motor Mit Anbauten .....</b>	<b>132</b>
2.001	Oberwagen .....	24	6.001	Motoreinbau, Pumpenanbau .....	132
2.002	Oeltank.....	28	6.002	Anbauteile - Motor .....	136
2.003	Dieseltank .....	32	6.003	Gas, Heizung.....	140
2.004	Fahrerkabine - Verglasung, Befestigungsteile .....	36	6.030	Betankungspumpe.....	144
2.005	Fahrerkabine - Ausstattung.....	40	<b>7.000</b>	<b>Hydraulik-Installation .....</b>	<b>148</b>
2.006	Fahrerkabine - Ausstattung, Elektroinstallation.....	44	7.001	Hydraulikinstallation - Umlauf .....	148
2.007	Abdeckung, Fahrersitz .....	48	7.002	Hydraulikinstallation - Servosteuerung .....	152
2.008	Abdeckung, Motorhaube .....	54	7.003	Hydraulikinstallation - Fahren, Raeumschild.....	156
2.010	Ventilbetaetigung Mechanisch.....	58	7.005	Hydraulikinstallation - Schwenken, Knicken .....	160
2.011	Auskleidungssatz - Oberwagen .....	62	7.006	Hydraulikinstallation – Arbeitseinrichtung >Tc00350370.....	164
2.012	Schutzdach, Arbeitsscheinwerfer .....	66	7.007	Hydraulikinstallation - Zusatzsteuerkreis .....	168
2.016	Geraetebeschilderung Terex .....	70	7.009	Hydraulikinstallation - Ruecklauf Drucklos .....	172
2.017	Geraetebeschilderung Usa .....	74	7.011	Hydraulikinstallation – Umschaltung Iso / Sae.....	176
2.020	Werkzeug Mit Kranverladegeschirr .....	78	7.012	Hydraulikinstallation - Lasthalteventile Arbeitseinrichtung.....	180
2.025	Fahrersitz Gs12.....	80	7.013	Hydraulikinstallation - Fahralarm.....	184
2.027	Fahrersitz Msg20 .....	82	<b>8.000</b>	<b>Hydraulik-Komponenten .....</b>	<b>186</b>
2.029	Fahrersitz Msg85 .....	84	8.001	Blocksteuergeraet Sx12 5606660538 .....	186
2.030	Fahrersitz-Federung Msg85 .....	88	8.006	Vorteuergeraet .....	190
<b>3.000</b>	<b>Kettenlaufwerk.....</b>	<b>92</b>	8.006.1	Vorsteuergeraet 0901-Xxxx.....	192
3.001	Unterbagen, Fahrentrieb .....	92	8.007	Drehdurchfuehrung 5383670003 .....	194
<b>4.000</b>	<b>Arbeitseinrichtungen .....</b>	<b>96</b>	8.008	Verstellpumpe 5364662478 .....	196
4.001	Schwenksaeule .....	96	8.009	Schwenkantrieb 5527665180 .....	200
4.002	Arbeitseinrichtung -0691 .....	100	8.010	Fahrmotor 5712661820 .....	202
4.002.1	Arbeitseinrichtung 0692-Xxxx .....	104	8.015	Hydraulikzylinder – Loeffel Z 70/35 .....	206
<b>5.000</b>	<b>Arbeitswerkzeuge .....</b>	<b>108</b>	8.016	Hydraulikzylinder – Loeffelstiel Z 70/45 .....	210
5.001	Schnellwechsler.....	108	8.017	Hydraulikzylinder – Ausleger Z 90/45 .....	212
5.002	Tiefloeffel Mit Auswerfer – Schnellwechselbar 300 Mm	112	8.018	Hydraulikzylinder – Knicken Z 80/40 .....	216
5.003	Tiefloeffel, Grabenreinigungsloeffel Schnellwechselbar	114			

## Inhaltsverzeichnis deutsch

Kapitel	Überschrift	Seite	Kapitel	Überschrift	Seite
8.019	Hydraulikzylinder – Raeumschildz 90/40.....	220			
<b>9.000</b>	<b>Elektro-Installation .....</b>	<b>224</b>			
9.001	Elektroinstallation - Armaturen Brett .....	224			
9.002	Elektroinstallation - Oberwagen, Motor.....	230			
9.003	Arbeitsscheinwerfer, Rundumleuchte.....	234			
9.030	Elektroinstallation-Fahralarm .....	238			

## Table des matières, français

Chapitre	Titre	Page	Chapitre	Titre	Page
<b>0.000</b>	<b>Fournitures De Revision .....</b>	<b>18</b>	5.003	Godet, Godet De Curage De Fosses A Charger Rapidement .....	114
0.100	Fournitures De Revision .....	18	5.004	Godet Orientable - A Charger Rapidement 1000, 1200 Mm .....	116
<b>1.000</b>	<b>Chassis.....</b>	<b>20</b>	5.007	Suspension Benne Preneuse Avec Installation Hydraulique Type G11.....	120
1.002	Chassis, Lame Frontale.....	20	5.008	Godet, Godet De Curage De Fosses - Montage Direct.	122
1.005	Équipement D'Orientation.....	22	5.009	Godet Orientable - Montage Direct 1000, 1200 Mm ....	126
<b>2.000</b>	<b>Tourelle.....</b>	<b>24</b>	5.011	Marteau Hydraulique Avec Installation Hydraulique ....	130
2.001	Tourelle .....	24	<b>6.000</b>	<b>Moteur.....</b>	<b>132</b>
2.002	Reservoir Hydraulique.....	28	6.001	Implantation Moteur, Implantation Pompe .....	132
2.003	Reservoir De Carburant.....	32	6.002	Pieces D'Adaptation - Moteur .....	136
2.004	Cabine - Vitres, Pieces De Montage.....	36	6.003	Accelerateur, Chauffage .....	140
2.005	Cabine - Equipement.....	40	6.030	Pompe De Ravitaillement.....	144
2.006	Cabine - Equipement, Installation Electrique .....	44	<b>7.000</b>	<b>Installation Hydraulique.....</b>	<b>148</b>
2.007	Couverture, Siege Conducteur.....	48	7.001	Installation Hydraulique - Circuit .....	148
2.008	Couverture, Capot Moteur .....	54	7.002	Installation Hydraulique - Commande Assiste .....	152
2.010	Commande De Distributeur Mecanique.....	58	7.003	Installation Hydraulique - Translation, Lame.....	156
2.011	Jeu De Revetement - Tourelle.....	62	7.005	Installation Hydraulique - Orientation, Articulation .....	160
2.012	Abri, Phare De Travail.....	66	7.006	Installation Hydraulique - Equipement De Travail >Tc00350370.....	164
2.016	Autocollants Terex .....	70	7.007	Installation Hydraulique - Circuit Distributeur Supplémentaire .....	168
2.017	Autocollants Usa .....	74	7.009	Installation Hydraulique - Circuit De Retour Sans Pression .....	172
2.020	Outillage Avec Dispositif De Grutage.....	78	7.011	Installation Hydraulique - Iso / Sae Inversion.....	176
2.025	Siege Gs12.....	80	7.012	Installation Hydraulique - Clapet Vcm Equipement De Travail.....	180
2.027	Siege Msg20 .....	82	7.013	Installation Hydraulique - Avertisseur De Translation ..	184
2.029	Siege Msg85 .....	84	<b>8.000</b>	<b>Composants Hydrauliques .....</b>	<b>186</b>
2.030	Siege-Suspension Msg85.....	88	8.001	Bloc Distributeur Sx12 5606660538 .....	186
<b>3.000</b>	<b>Train De Roulement.....</b>	<b>92</b>	8.006	Telecommande.....	190
3.001	Chassis, Entraînement .....	92	8.006.1	Commande Assiste - Manipulateur 0901-Xxxx .....	192
<b>4.000</b>	<b>Equipments.....</b>	<b>96</b>	8.007	Joint Tournant 5383670003.....	194
4.001	Pivot.....	96	8.008	Pompe A Debit Variable 5364662478 .....	196
4.002	Equipement De Travail -0691 .....	100	8.009	Entraînement Orientation 5527665180.....	200
4.002.1	Equipement De Travail 0692-Xxxx.....	104			
<b>5.000</b>	<b>Accessoires .....</b>	<b>108</b>			
5.001	Attache Rapide.....	108			
5.002	Godet Avec Ejecteur - A Charger Rapidment 300 Mm .	112			



## Table des matières, français

Chapitre	Titre	Page	Chapitre	Titre	Page
8.010	Reducter 5712661820.....	202			
8.015	Verin Hydraulique – Godet Z 70/35.....	206			
8.016	Verin Hydraulique - Balancier Z 70/45.....	210			
8.017	Verin Hydraulique - Fleche Z 90/45.....	212			
8.018	Verin Hydraulique - Articulation Z 80/40.....	216			
8.019	Verin Hydraulique - Lame 90/40 .....	220			
<b>9.000</b>	<b>Installation Electrique .....</b>	<b>224</b>			
9.001	Installation Electrique - Tableau De Bord .....	224			
9.002	Installation Electrique - Tourelle, Moteur .....	230			
9.003	Phare De Travail, Girophare.....	234			
9.030	Installation Electrique-Avertisseur De Translation.....	238			

# Índice Español

Capítulo	Título	Página	Capítulo	Título	Página
<b>0.000</b>	<b>Inspection Parts And Aids</b> .....	<b>18</b>	5.004	Slew Bucket - Quickly Releasable 1000, 1200 Mm .....	116
0.100	Inspection Parts And Aids .....	18	5.007	Grab Suspension With Hydraulic Installation Type G11.....	120
<b>1.000</b>	<b>Undercarriage</b> .....	<b>20</b>	5.008	Bucket, Ditch Cleaning Bucket - Direct Mounted .....	122
1.002	Undercarriage, Dozer Blade .....	20	5.009	Slew Bucket - Direct Mounted 1000, 1200 Mm .....	126
1.005	Slew Equipment.....	22	5.011	Hydraulic Hammer With Hydraulic Installation.....	130
<b>2.000</b>	<b>Uppercarriage</b> .....	<b>24</b>	<b>6.000</b>	<b>Engine With Attachments</b> .....	<b>132</b>
2.001	Uppercarriage .....	24	6.001	Engine Assembly, Pump Assembly .....	132
2.002	Oil Tank .....	28	6.002	Mounting Parts - Engine .....	136
2.003	Diesel Tank .....	32	6.003	Accelerator, Heating .....	140
2.004	Operator'S Cab - Glasses, Mounting Parts .....	36	6.030	Refilling Pump.....	144
2.005	Operator'S Cab - Equipment .....	40	<b>7.000</b>	<b>Hydraulic Installation</b> .....	<b>148</b>
2.006	Operator'S Cab - Equipment, Electrical Installation.....	44	7.001	Hydraulic Installation - Circulation .....	148
2.007	Cover, Driver'S Seat.....	48	7.002	Hydraulic Installation - Servo Controls .....	152
2.008	Cover, Engine Cover .....	54	7.003	Hydraulic Installation - Drive, Dozer Blade.....	156
2.010	Valve Control Mechanic .....	58	7.005	Hydraulic Installation - Slewing, Articulation .....	160
2.011	Cover Set - Uppercarriage .....	62	7.006	Hydraulic Installation - Working Equipment >Tc00350370.....	164
2.012	Cab'S Roof, Working Flood Light .....	66	7.007	Hydraulic Installation - Add. Outlet .....	168
2.016	Stickers Terex .....	70	7.009	Hydraulic Installation - Pressureless Return Line .....	172
2.017	Stickers Usa .....	74	7.011	Hydraulic Installation - Changeover Iso / Sae .....	176
2.020	Tools With Device For Handling By Crane .....	78	7.012	Hydraulic Installation - Load Control Valve Working Equipment .....	180
2.025	Operator'S Seat Gs12 .....	80	7.013	Hydraulic Installation - Travel Motions Alarm .....	184
2.027	Operator'S Seat Msg20.....	82	<b>8.000</b>	<b>Hydraulic Components</b> .....	<b>186</b>
2.029	Operator'S Seat Msg85.....	84	8.001	Valve Bank Sx12 5606660538 .....	186
2.030	Operator'S Seat-Suspension Msg85 .....	88	8.006	Remote Control .....	190
<b>3.000</b>	<b>Crawler</b> .....	<b>92</b>	8.006.1	Control Piloto - Palanca De Coordinadas 0901-Xxxx ..	192
3.001	Undercarriage, Travel Drive .....	92	8.007	Rotary Transfer 5383670003 .....	194
<b>4.000</b>	<b>Working Equipments</b> .....	<b>96</b>	8.008	Displacement Pump 5364662478.....	196
4.001	King Post .....	96	8.009	Slew Drive 5527665180.....	200
4.002	Digging Attachment -0691 .....	100	8.010	Travel Gear 5712661820 .....	202
4.002.1	Digging Attachment 0692-Xxxx .....	104	8.015	Hydraulic Cylinder - Bucket Z 70/35 .....	206
<b>5.000</b>	<b>Attachments</b> .....	<b>108</b>	8.016	Hydraulic Cylinder - Stick Z 70/45 .....	210
5.001	Quick Mount Hitch .....	108	8.017	Hydraulic Cylinder - Boom Z 90/45 .....	212
5.002	Bucket With Ejector - Quickly Releasabel 300 Mm .....	112	8.018	Hydraulic Cylinder - Articulation Z 80/40 .....	216
5.003	Bucket, Ditch Cleaning Bucket Quickly Releasable.....	114			

## Índice Español

Capítulo	Título	Página	Capítulo	Título	Página
8.019	Hydraulic Cylinder - Dozer Blade 90/40 .....	220			
<b>9.000</b>	<b>Electrical Installation .....</b>	<b>224</b>			
9.001	Electrical Installation - Instrument Panel .....	224			
9.002	Electrical Installation - Upper-carriage, Engine .....	230			
9.003	Working Flood Light, Yellow Beacon .....	234			
9.030	Electrical Installation -Travel Motions Alarm .....	238			

## Important notes: Catalog, Ordering, Repair

---

### Notes on this catalog

This spare parts catalog in PDF or printed format offers you support when identifying spare parts for your machine. Our spare parts documentation is continuously updated and expanded. Such changes may not be included in this document. You can find the latest, valid spare parts documentation on the following platforms:

Online spare parts platform:

- Dealer area: <http://store.terex.com>
- End customer area: Please ask your dealer for access

Terex Construction portal:

- <http://constructionsupport.terex.com/home.asp>

Here you will find documents in PDF format. You can log in for the first time using the "Contact" button.

Please use these platforms exclusively to identify spare parts and, in the case of dealers, to order them. As an end customer, you can only order your spare parts from your Terex dealer. When placing an order, please provide the following details:

- Vehicle type and serial number
- Part number, designation
- Quantity

We will charge a fee if we have to take back parts, which were ordered in error, due to spare parts documents not being kept up to date.

### Carrying out repairs

Within the warranty period, repairs can only be carried out by a dealer authorized by the manufacturer.

We recommend that our end customers have repairs carried out by our authorized dealers, even when the warranty period elapses.

Repairs to **safety-related** parts in the hydraulic, electric and mechanical systems **may only be carried out by authorized Terex dealers**.

Please use only **original TEREX spare** parts in your Terex machines. These are finished to a high quality and ensure the machine's safe operation and optimum service life. If original TEREX spare parts are not used, the warranty may be void.

### Scope of the catalog

You can find the specifications regarding the scope of the catalog on the cover sheet at:

- Serial No. (Serien Nr. / No. de Série / N.º de serie)

Examples:

- MHL320-0965-1141
- TC25-0101-XXXX

Meaning of the specifications:

## Important notes: Catalog, Ordering, Repair

---

- MHL320 or TC25 = Type designation
- 0965-1141 = Serial number range, means from serial number 0965 up to serial number 1141
- 0101-XXXX = Serial number range, means from serial number 0101, XXXX signifies current series, for which the final serial number in this case is not yet known.

### References in graphics

This symbol means: You can find this part in Chapter 4.10.

>>4.1

### Order quantities

In the catalogs, under Quantity, the numbers of parts are specified according to how the machine is constructed using these parts. Exceptions are parts such as shims, these can be found under "Remarks" as required. For hoses, and profiles which are supplied as bulk stock, under Quantity the amount is given in meters (e.g. 2.5), according to how the machine is constructed using these parts. When ordering, please state the desired length.

### Representation

In each case, parts shown in the graphic representation may not exactly match the original.

## Wichtige Hinweise: Katalog, Bestellung, Reparatur

---

### Hinweise zu diesem Katalog

Dieser Ersatzteilkatalog im pdf-Format oder in gedruckter Form dient Ihnen zur Unterstützung bei der Identifizierung von Ersatzteilen für Ihre Maschine. Unsere Ersatzteildokumentation wird ständig gepflegt und ergänzt, diese Änderungen finden Sie eventuell nicht in dem vorliegenden Dokument. Sie finden die aktuelle, gültige Ersatzteildokumentation auf folgenden Plattformen:

Online Ersatzteilplattform:

- Händlerbereich: <http://store.terex.com>
- Endkundenbereich: bitte wenden Sie sich wegen dem Zugang an Ihren Händler

Terex Construction portal:

- <http://constructionsupport.terex.com/home.asp>

Hier finden Sie die Dokumente im pdf-Format, die Erstanmeldung erfolgt über den Button „Kontaktieren“.

Bitte verwenden Sie zur Ersatzteilidentifizierung und -bestellung (nur Händler) ausschließlich diese Plattformen. Sie können als Endkunde ihre Ersatzteile ausschließlich über Ihren Terex Händler bestellen, bitte geben Sie bei Bestellungen an:

- Typ, Seriennummer
- Teilenummer, Benennung
- Stückzahl

Falls wir Teile zurücknehmen müssen, die aufgrund der Verwendung nicht aktueller Ersatzteildokumente falsch bestellt wurden, werden wir eine Gebühr erheben.

### Durchführung von Reparaturen

Innerhalb des Gewährleistungszeitraums dürfen Reparaturen nur durch einen vom Hersteller autorisierten Händler durchgeführt werden.

Wir empfehlen unseren Endkunden auch außerhalb des Gewährleistungszeitraums Reparaturen durch unsere autorisierten Händler durchführen zu lassen.

Reparaturen an **sicherheitsrelevanten** Bauteilen in der Hydraulik, Elektrik und Mechanik **dürfen ausschließlich durch autorisierte Terex Händler durchgeführt werden.**

Bitte verwenden Sie für Ihre Terex Maschinen nur **Original-TEREX-Ersatzteile**. Diese werden in hoher Qualität gefertigt und gewährleisten eine sichere Anwendung und optimale Lebensdauer für Ihre Maschine. Werden nicht Original-TEREX-Ersatzteile verwendet, kann die Gewährleistung erlöschen.

### Katalog Gültigkeitsbereich

Sie finden die Angabe des Gültigkeitsbereichs auf dem Deckblatt unter:

- Serial No. (Serien Nr. / No. de Série / N.º de serie)

Beispiele:

- MHL320-0965-1141
- TC25-0101-XXXX

## Wichtige Hinweise: Katalog, Bestellung, Reparatur

---

Bedeutung der Angaben:

- MHL320 oder TC25 = Typenbezeichnung
- 0965-1141 = Seriennummernbereich, bedeutet ab Seriennummer 0965 bis Seriennummer 1141
- 0101-XXXX = Seriennummernbereich, bedeutet ab Seriennummer 0101, XXXX bedeutet laufende Serie, die abschließende Seriennummer ist in diesem Fall noch nicht bekannt.

### Verweise in den Grafiken

Dieses Symbol bedeutet: Sie finden das Teil im Kapitel 4.10.

>>4.1

### Bestellmengen

In den Katalogen sind unter Anzahl die Menge an Teilen angegeben wie sie für eine Maschine verbaut sind. Ausnahme sind Bauteile, wie z. B. Ausgleichsscheiben, hier steht unter „Bemerkungen“ as required (nach Bedarf). Bei Schläuchen, Profilen die als Meterware geliefert werden, ist unter Anzahl die Angabe in m angegeben (z. B 2,5), wie sie an der Maschine verbaut sind. Bitte geben Sie bei der Bestellung die gewünschte Länge ein.

### Darstellung

Die grafische Darstellung der Teile stimmt nicht in jedem Fall detailgetreu mit dem Original überein.

## Remarques importantes : catalogue, commande, réparation

---

### Remarques relatives à ce catalogue

Ce catalogue de pièces détachées, au format PDF ou dans sa version imprimée, vous aide à identifier les pièces détachées de votre machine. La documentation relative à nos pièces détachées étant gérée et complétée en permanence, ces modifications ne sont peut-être pas mentionnées dans le présent document. Vous trouverez la documentation à jour sur les plateformes suivantes:

Plateforme en ligne pour les pièces détachées:

- Espace dédié aux concessionnaires: <http://store.terex.com>
- Espace dédié aux clients: contactez votre concessionnaire pour savoir comment y accéder

Portail de Terex Construction:

- <http://constructionsupport.terex.com/home.asp>

Vous trouverez ici les documents au format PDF, la première connexion s'effectuant via le bouton "Contacter".

Veillez utiliser exclusivement ces plateformes pour l'identification et la commande (concessionnaires uniquement) de pièces détachées. En tant que client, vous ne pouvez commander vos pièces détachées que par le biais de votre concessionnaire Terex. Pour toute commande, veuillez indiquer:

- Type, numéro de série
- Référence, désignation
- Quantité

Toute reprise de pièces commandées par erreur sur la base de documents non à jour entraînera des frais à votre charge.

### Exécution de réparations

Pendant la période de validité de la garantie, les réparations ne doivent être effectuées que par un concessionnaire autorisé par le fabricant.

Nous recommandons à nos clients de faire effectuer leurs réparations par un concessionnaire autorisé également en dehors de la période de validité de la garantie.

Les réparations concernant les pièces **pertinentes pour la sécurité** en matière d'hydraulique, d'électricité et de mécanique **doivent être effectuées exclusivement par un concessionnaire Terex autorisé.**

Pour vos machines Terex, utilisez exclusivement des **pièces de rechange TEREX d'origine**. Celles-ci sont de qualité supérieure et garantissent une utilisation sûre et une durée de vie optimale pour vos machines. Toute utilisation de pièces de rechange autre que les pièces d'origine TEREX peut entraîner une annulation de la garantie.

### Domaine d'application du catalogue

Le domaine d'application est indiqué sur la couverture sous:

- Serial No. (Serien Nr. / No. de Série / N.º de serie)

Exemples:

- MHL320-0965-1141
- TC25-0101-XXXX



## Remarques importantes : catalogue, commande, réparation

---

Signification des indications:

- MHL320 ou TC25 = désignation du type
- 0965-1141 = gamme de numéros de série, signifie à partir du numéro de série 0965 jusqu'au numéro de série 1141
- 0101-XXXX = gamme de numéros de série, signifie à partir du numéro de série 0101 ; XXXX indique une série en cours, le dernier numéro de série n'est dans ce cas pas encore connu.

### Renvois dans les graphiques

Ce symbole signifie : La pièce se trouve au chapitre 4.10.

>>4.1

### Quantités

Dans les catalogues, les nombres indiqués correspondent aux pièces telles qu'elles sont montées pour une machine. Les composants (par exemple, rondelles) sont des exceptions et sont mentionnés sous « Remarques » si besoin est. Pour les flexibles et profilés vendus au mètre, le nombre correspond à une indication en m (par exemple, 2,5) pour les éléments tels qu'ils sont montés sur la machine. Lors de la commande, indiquez la longueur souhaitée.

### Représentation

La représentation graphique des pièces ne correspond pas toujours fidèlement à l'original.

## Información importante: catálogo, pedido, reparación

---

### Información sobre este catálogo

Este catálogo de piezas de repuesto en formato PDF o en versión impresa le ayuda a identificar piezas de repuesto para su aparato. Actualizamos y completamos nuestra documentación sobre piezas de repuesto constantemente; no obstante, puede que no encuentre estas modificaciones en el presente documento. Sin embargo, puede encontrar publicaciones actuales y vigentes en las siguientes plataformas:

Plataforma de piezas de repuesto online:

- Área de distribuidores: <http://store.terex.com>
- Área para clientes finales: por favor, diríjase a su distribuidor para cualquier asunto relacionado con el acceso

Portal de Terex Construction:

- <http://constructionsupport.terex.com/home.asp>

Aquí puede encontrar los documentos en formato PDF, la primera solicitud se realiza mediante el botón "contactar".

Por favor, para identificar y pedir piezas de repuesto (solo distribuidores), utilice exclusivamente estas plataformas. Como cliente final, solamente podrá pedir las piezas de repuesto a través de su distribuidor Terex. Por favor, para realizar pedidos indique los siguientes datos:

- Modelo, número de serie
- N° de pieza, descripción
- Cantidad

En caso de que tenga que devolvernos alguna pieza que haya pedido erróneamente por no haber utilizado la documentación actualizada de piezas, le cobraremos un recargo.

### Realización de reparaciones

Dentro del plazo de garantía, las reparaciones únicamente las podrá realizar un distribuidor autorizado por el fabricante.

Además, recomendamos a nuestros clientes finales que, también fuera del plazo de garantía, dejen las reparaciones en manos de nuestros distribuidores autorizados.

Las reparaciones de **piezas** fundamentales para la seguridad en el sector hidráulico, eléctrico y mecánico **deben ser realizadas por los distribuidores autorizados por Terex.**

Por favor, para las máquinas Terex, utilice únicamente **piezas de repuesto originales TEREX**. Su fabricación es de gran calidad y garantizan un uso seguro, así como una vida útil óptima de su máquina. Si no utiliza piezas de repuesto originales TEREX, se podrá rescindir el derecho a garantía.

### Ámbito de validez del catálogo

Puede encontrar los datos sobre el ámbito de validez en la portada en:

- Número de serie (Serien Nr. / No. de Série / Serial No)

Ejemplos:

- MHL320-0965-1141
- TC25-0101-XXXX

## Información importante: catálogo, pedido, reparación

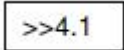
---

Significado de los datos:

- MHL320 o TC25 = descripción del modelo
- 0965-1141 = margen de números de serie; esto significa que comprende desde el número de serie 0965 hasta el 1141
- 0101-XXXX = margen de números de serie; esto significa que empieza en el número de serie 0101, XXXX se trata de una serie correlativa, en este caso se desconoce el número que acaba la serie.

### Referencias de los gráficos

Este símbolo significa: encontrará la pieza en el capítulo 4.10.



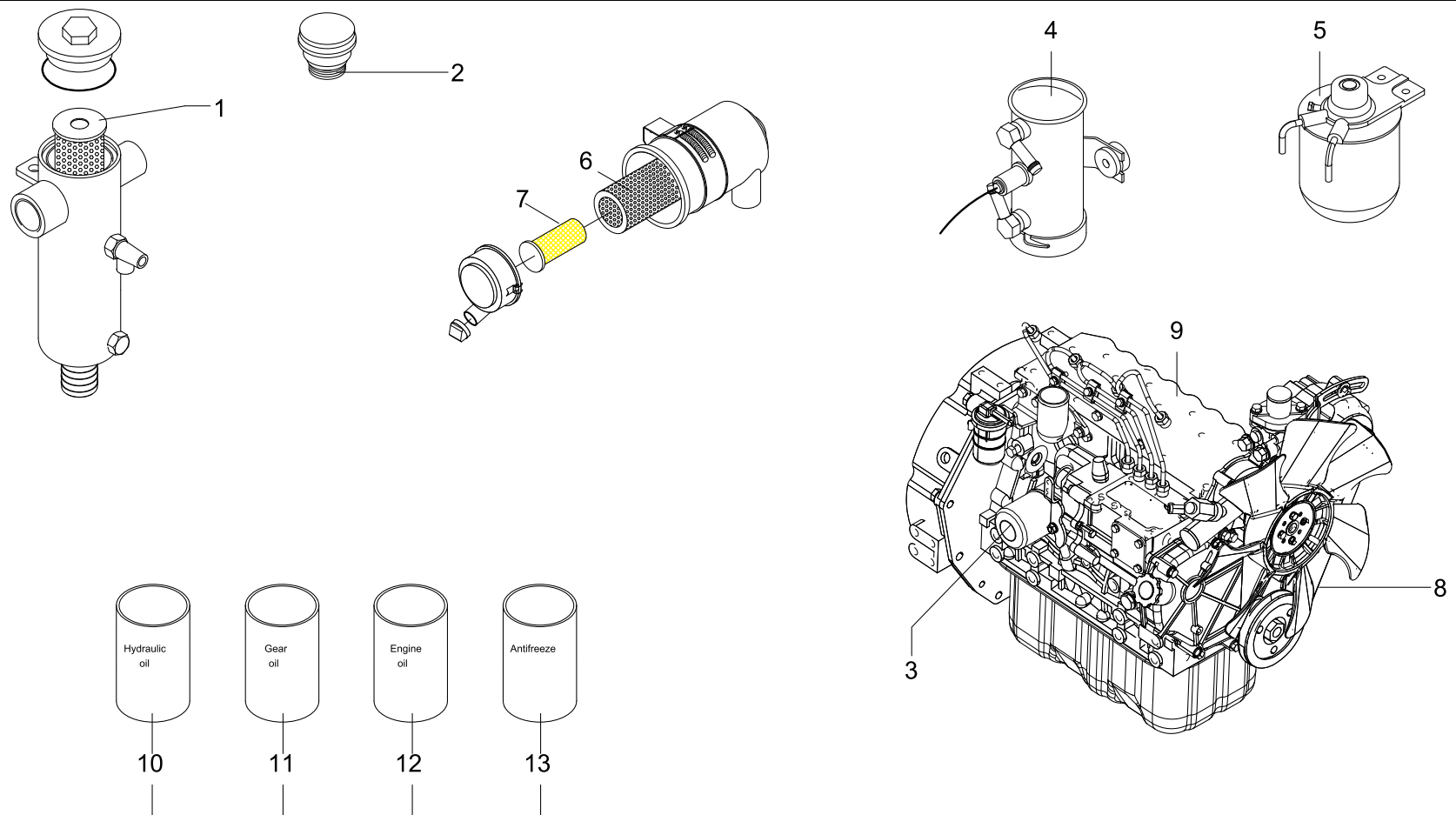
### Cantidades de pedido

En el apartado "Número" de los catálogos aparece la cantidad de piezas específica, tal y como se han montado en la máquina. La excepción son los componentes, como por ejemplo las arandelas de ajuste, cuya cantidad deberá especificarse en "comentarios" (en función de la necesidad). En el caso de mangueras, cuando los perfiles se suministran en metros, aparece la cantidad en m en el apartado "Número" (p. ej., 2,5), tal y como se han montado en la máquina. Por favor, especifique la longitud deseada en el momento del pedido.

### Representación

La representación gráfica de las piezas no coincide al detalle con el original en todos los casos.

**0.100 Inspection Parts And Aids**  
Inspektionsteile Und Mittel  
Fournitures De Revision  
Inspection Parts And Aids



Spezifikation und Menge siehe Betriebsanleitung  
 Specification and quantity look operating manual  
 Pour les spécifications et les quantités, veuillez vous reporter SVP au manuel d'utilisation

ROT06050