



# ***Parts Manual***

## Serial Number Range

***Gyro-4020***

4020 from SN 12888 to 18910

***Gyro-4518***

4518 from SN 12508 to 19125

Part No. 645035

Rev D

April 2010

## Technical Publications

Genie has endeavored to deliver the highest degree of accuracy possible. However, continuous improvement of our products is a Genie policy.

Therefore, product specifications are subject to change without notice.

Readers are encouraged to notify Genie of errors and send in suggestions for improvement. All communications will be carefully considered for future printings of this and all other manuals.

---

### Contact Us:

**Genie**

A TEREX BRAND

[www.genieindustries.com](http://www.genieindustries.com)

e-mail: [awp.techpub@terex.com](mailto:awp.techpub@terex.com)

---

The technical data contained in this document is indicative and not binding, insofar as TEREXLIFT S.r.l reserves the right to make modifications and improvements to its products at any time in order to enhance the quality thereof.

57.0408.3000 Rev A November 2005  
First Edition, First Printing

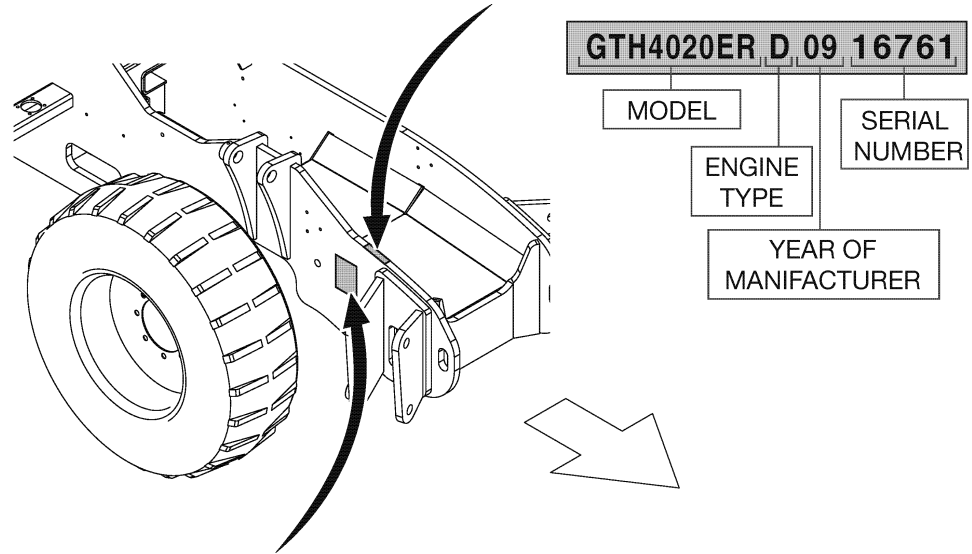
---

**Genie**

A TEREX BRAND

**Chassis serial number**

(The chassis serial number is punched on the front right part of the chassis side member)



**Machine data plate**

(On machines destined for the Italian market, the machine data plate is installed in the driving cab, on the right, and is well-visible when the door is opened. On the machines destined for foreign markets, the data plate is applied on the front right side of the chassis)

**TEREXLIFT s.r.l.**

---

ZONA INDUSTRIALE - 06019 UMBERTIDE (PG) - ITALY  
Tel. +39 075 941.811 Fax +39 075 941.53.82

MODELLO - MODEL - MODELE - TYP - MODELO	
ANNO DI COSTRUZIONE - YEAR OF CONSTRUCTION - ANNEE DE CONSTRUCTION BAUJAHR - AÑO DE FABRICACIÓN	
MATRICOLA - SERIAL N. - N. DE SERIE - FZ.-IDENT NR. - NO. DE SERIE	
PESO MAX ASSALE ANT. - MAX FRONT AXLE WEIGHT - POIDS MAX ESSIEU AVANT ZUL. ACHSLAST VO. N. ST VZO - PESO MAX EJE ANTERIOR	kg
PESO MAX ASSALE POST. - MAX REAR AXLE WEIGHT - POIDS MAX ESSIEU ARRIERE ZUL. ACHSLAST HI. N. ST VZO - PESO MAX EJE POSTERIOR	kg
PESO TOTALE - TOTAL WEIGHT - POIDS TOTAL - ZUL. GESAMTGEWICHT N. ST VZO PESO TOTAL	kg
MATRICOLA MOTORE TERMICO - ENGINE SERIAL N. - N. MOTEUR THERMIQUE FABRIK NR. DIESEL MOTOR - NO. DE SERIE MOTOR TERMICO	
POTENZA MOTORE TERMICO - ENGINE POWER - PUISSANCE MOTEUR MOTORLEISTUNG - POTENCIA MOTOR	kW
CARICO STATICO VERT. GANCIO DI TRAINO-MAX.VERTICAL LOAD ON THE COUPLING HOOK-EFFORT VERTICAL MAXIMAL SUR LE CROCHET D'ATTELAGE MAXIMALE STUTZLASTBEANSPRUCHUNG DES ZUGHAKENS IN VERTIKALER RICHTUNG- ESFUERZO VERTICAL SOBRE EL GANCHO DE TRACCION	kg
MASSA MAX. RIMORCHIABILE - MAX.DRAWBAR PULL AT THE COUPLING HOOK EFFORT THE TRACTION - MAXI AU CROCHET D'ATTELAGE-MAXIMALE ZUGBEANSPRUCHUNG AM ZUGHAKEN-MAXIMO ESFUERZO DE TRACCION EN EL GANCHO DE TRACCION	kg
OMOLOGAZIONE	

FABBRICATO IN ITALIA - MADE IN ITALY

## Table of Contents

This manual is updated frequently. If you have a printed manual, you can keep it up to date by downloading new figures from the Genie website at [www.genieindustries.com](http://www.genieindustries.com). For the most up-to-date parts information, visit the Parts Lookup System on the Genie website at [www.genieindustries.com](http://www.genieindustries.com).

How to Read Your Serial Number.....	3
Parts Stocking List.....	7
How to Order Parts.....	8
Service Parts Fax Order Form.....	9

**Electronic Version**

Click on any page number to view the figure.

**100 Decals**

101.1 604965 Decals - View 1.....	10
102.1 604966 Decals - View 2.....	12

**200 Drive Chassis Components**

201.1 604294 Rear Frame Unit.....	14
202.1 604295 Engine Casing Unit.....	16
203.1 604301 Basic Frame Chassis.....	18
204.1 604310 Transmission And Wheels.....	20
205.1 604338 Front Axle Differential Case.....	22
206.1 604339 Front Axle Differential.....	24
207.1 604340 Front Axle Steering Axle.....	26
208.1 604341 Front Axle Brake.....	28
209.1 604342 Front Axle Steering Cylinder.....	30
210.1 604343 Front Axle Support.....	32
211.1 604344 Rear Axle Differential Case.....	34
212.1 604345 Rear Axle Distterential.....	36
213.1 604346 Rear Axle Steering Axle.....	38
214.1 604347 Rear Axle Brake.....	40
215.1 604348 Rear Axle Steering Cylinder.....	42
216.1 604349 Rear Axle Support.....	44
217.1 604350 Reduction Gear.....	46
218.1 605260 Turret GYRO 4020.....	48
219.1 604302 Turret GYRO 4518.....	50
220.1 605261 Stabilizer GYRO 4020.....	52
221.1 604303 Stabilizer GYRO 4518.....	54
222.1 604331 Trasport Locking Devices.....	56

**300 Engine Components**

301.1 604316 Engine Cooling System.....	58
302.1 604317 Engine Supports And Accessories.....	60
303.1 604318 Exhaust System And Accelerator.....	62
304.1 604319 Engine Injection System.....	64

**400 Cab**

401.1 604298 Dashboard.....	66
402.1 604299 Cab (to SN 15154).....	68
403.1 604299 Cab (from SN 15155).....	70

404.1 604300 Cab Heater.....	72
405.1 604335 Instruments And Light Panel.....	74
406.1 604336 Door Cab (to SN 15154).....	76
407.1 604336 Door Cab (from SN 15155).....	78

**500 Boom Components**

501.1 604309 Forks.....	80
502.1 604333 Coupling Unit.....	82
503.1 605262 Arm 1st - 2nd Telescopic Element.....	84
504.1 605263 Arm 3rd - 4th Telescopic Element.....	86
505.1 605264 Chains Unit 1st - 2nd Boom Section.....	88
506.1 605265 Chains Unit 3rd - 4th Boom Section.....	90
507.1 605266 Pipe Carrier and Chain Assy.....	92

**600 Hydraulic System**

601.1 604297 Turret Rotation Locking System.....	94
602.1 604320 Service Brake And Differential Lock.....	96
603.1 604321 Parking System.....	98
604.1 604322 Hydraulic Transmission.....	100
605.1 604323 Gearbox.....	102
606.1 604324 Power Steering.....	104
607.1 604325 Turret Rotation.....	106
608.1 604326 Hydraulic Oil Cooler.....	108
609.1 604327 Suction System Hydraulic Pumps (to SN 16595).....	110
610.1 604327 Suction System Hydraulic Pumps (from SN 16596).....	112
611.1 604328 Tilt Cylinder Hydraulic System.....	114
612.1 604329 Slave Cylinder Hydraulic System.....	116
613.1 604334 Implement Locking Cylinder.....	118
614.1 605267 Stabilizer Hydraulic System GYRO 4020....	120
615.1 604311 Stabilizer Hydraulic System GYRO 4518....	122
616.1 605268 Boom Extensio Hydraulic System GYRO 4020.....	124
617.1 604330 Boom Extensio Hydraulic System GYRO 4518.....	126
618.1 605269 Lifting Hydraulic System GYRO 4020.....	128
619.1 604332 Lifting Hydraulic System GYRO 4518.....	130
620.1 605270 Levelling Axle Hydraulic System GYRO 4020.....	132
621.1 604296 Levelling Axle Hydraulic System GYRO 4518.....	134

**700 Electric Installation**

701.1 604315 Fuses And Realay Card.....	136
702.1 604805 Rear Under Carriage Electrical Line.....	138
703.1 604806 Front Under Carriage Electrical Line.....	140
704.1 604808 Engine Electrical Line.....	142
705.1 604956 Boom Electrical Line.....	144
706.1 604957 Dashboard Electrical Line.....	146
707.1 604958 Cab Electrical Line.....	148
708.1 605271 Central Under Carriage Electrical Line.....	150
709.1 605272 Upper Carriage Electrical Line.....	152
710.1 605273 Rear Upper Carriage Electrical Line.....	154

**Indices**

Part Number Index.....156  
Part Description Index.....161

**Cross References**

Fittings Cross Reference.....164



## Required Parts

The following parts are required to perform maintenance procedures as outlined in the Gyro-4020 / Gyro-4518 Operator's and Service Manuals.

Description	Part No.
Fuel Filter.....	07.4501.0071
Fuel Pre-Filter.....	07.0700.0020
Engine Oil Filter .....	07.4501.0070
Hydraulic Oil Filter Element .....	07.0700.0002
Air Filter Exsternal Element .....	639399
Air Filter Internal Element .....	639400
Cabin Air Filter Element.....	07.0740.0066

## Used Varnishes

Description	Type
Terex Grey .....	RAL 7012
Terex White .....	RAL 1013
Terex Matte Black for Cylinders .....	RAL 9005
Ausa Orange.....	RAL 2004
Mz Imer Orange.....	RAL 2010
Genie Blue.....	
Genie Grey.....	
Genie Matte Black for Cylinders.....	RAL 9005

## Manuals

Genie offers the following support documents for these models:

Title	Part No.
Gyro-4020	
Operator's Manual, 1 <sup>st</sup> edition (English).....	57.0007.2200
Gyro-4518	
Operator's Manual, 1 <sup>st</sup> edition (English).....	57.0005.7200
Gyro-4020 / Gyro-4518	
Service Manual, 1 <sup>st</sup> edition (English).....	57.4402.8200

## Part list abbreviations

<b>ZN</b>	Zinc-plated
<b>RNFT</b>	Reinforced
<b>FLNG</b>	Flanged
<b>PSNT</b>	Heavy type
<b>OC</b>	Eye
<b>PSRT</b>	Through-coupling
<b>CNTF</b>	Hole centre

## How To Order Parts

Please be prepared with the following information when ordering replacement parts for your Genie product:

- Machine model number
- Machine serial number
- Genie part number
- Part description and quantity
- Purchase order number
- "Ship to" address
- Desired method of shipment
- Name and telephone number of the authorized Genie Distributor in your area

Use the Service Parts Fax Order Form on the next page and fax your order to our Parts Department.

If you don't know the name of your authorized distributor, or if your area is not currently serviced by an authorized distributor, please call Genie Industries.

### Machine Information

---

Model

---

Serial Number

---

Date of Purchase

---

Authorized Genie Distributor

---

Phone Number

#### Genie North America

Telephone (425) 556-6551

Toll Free (877) 367-5606 in U.S.A. and Canada

Fax (425) 556-8659

#### Genie UK

Parts Telephone (44) (0) 1476 584352

Parts Fax (44) (0) 1476 584340

#### Genie Australia

Parts Telephone (617) 03375 1660

Parts Fax (617) 03375 1002

#### Genie France

Parts Telephone (33) (0) 237 26 09 99

Parts Fax (33) (0) 237 31 50 10

#### Genie Germany

Parts Telephone (49) (0) 4202 885223

Parts Fax (49) (0) 4202 885225

#### Genie Scandinavia

Parts Telephone (46) (31) 3409612

Parts Fax (46) (31) 3409613

#### Genie Iberica

Parts Telephone (34) (93) 5795042

#### Genie Brazil

Parts Telephone (55) (114) 1665755

Parts Fax (55) (114) 1665754

#### Genie Japan

Parts Telephone (81) (33) 4536082

Parts Fax (81) (33) 4536083

#### Genie China

Parts Telephone (86) (215) 3852570

Parts Fax (86) (215) 3852569





101.1 604965 Decals - View 1

