



TEREX®

Parts Manual

RL4000D2



First Edition

Rev A

Part No. 116444

September 2008

Introduction

REV A

Important

Read, understand and obey the safety rules and operating instructions in the appropriate Operator's Manual on your machine before attempting any maintenance procedure.

Basic mechanical, hydraulic and electrical skills are required to perform most procedures. However, several procedures require specialized skills, tools, lifting equipment and a suitable workshop. In these instances, we strongly recommend that maintenance and repair be performed at an authorized TEREX dealer service center.

Technical Publications

TEREX Corporation has endeavored to deliver the highest degree of accuracy possible. However, continuous improvement of our products is a TEREX policy. Therefore, product specifications are subject to change without notice.

Readers are encouraged to notify TEREX of errors and send in suggestions for improvement. All communications will be carefully considered for future printings of this and all other manuals.

Contact Us:

www.TEREX.com

Serial Number Information

TEREX Corporation offers the following manuals for these models:

Title	Part No.
TEREX RL4000 Operator's Manual First Edition	116417
TEREX RL4000 Service Manual First Edition	116473
TEREX RL4000 Part's Manual First Edition	116444
Leroy Somer Manual	116118
Kubota Engine Manual	893020
Axis Manual	116117
Marathon Manual	116188

Copyright © 2008 by TEREX Corporation

116444 Rev A September 2008
First Edition, Second Printing

"TEREX" is a registered trademark of TEREX Corporation in the USA and many other countries. "Super Quiet" is a trademark of TEREX Corporation.

 Printed on recycled paper

Printed in U.S.A.

How to Read Your Serial Number

REV A

Serial Number Legend

The serial number plate on your RL4000 is located on the cabinet next to the light tower mast.

MANUFACTURED BY/FABRIQUE PAR:
TEREX ROCK HILL
590 Huey Road
Rock Hill, SC 29732



DATE: FEBRUARY 2008
GVWR / PNBV 1,244 KG (2,743 LBS)
GAWR / PNBE 1,244 KG (2,743 LBS)
TIRES / PNEU ST205/75D13 LOAD RANGE C
RIMS / JANTE 15.0 X 4.5 5H
COLD TIRES INFL/ 35 PSI / 250 KPA

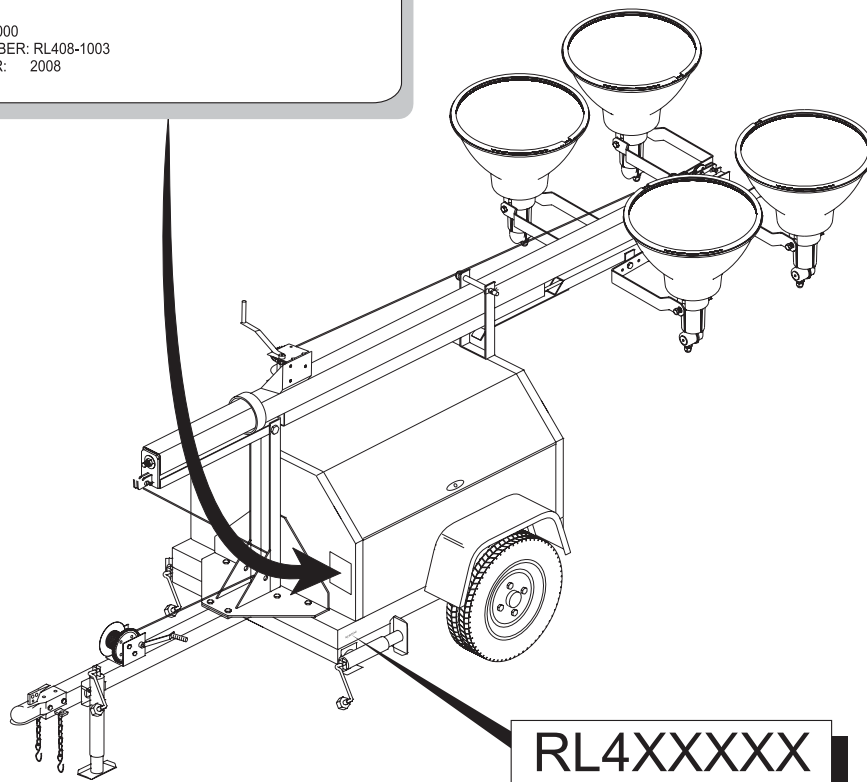
PRESS, DE GONFL. A FROID 'SINGLE'

THIS VEHICLE CONFORMS TO ALL APPLICABLE U.S. FEDERAL MOTOR VEHICLE SAFETY STANDARDS IN EFFECT ON THE DATE OF MANUFACTURE SHOWN ABOVE.

THIS VEHICLE CONFORMS TO ALL APPLICABLE STANDARDS PRESCRIBED UNDER THE CANADIAN MOTOR VEHICLE SAFETY REGULATIONS IN EFFECT ON THE DATE MANUFACTURE/
CE VEHICULE EST CONFORME A TOUTES LES NORMES QUI LUI SONT APPLICABLES EN VERTU DU REGLEMENT SUR LA SECURITE DES VEHICULES AUTOMOBILES DU CANADA EN VIGUEUR A LA DATE DE SA FABRICATION

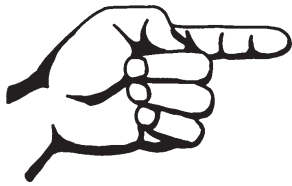
TYPE OF VEHICLE / TYPE DE VEHICULE: TRAILER/REMORQUE

MODEL: RL4000
SERIAL NUMBER: RL408-1003
MODEL YEAR: 2008



RL4XXXXX

Serial number is stamped into frame.



This page intentionally left blank.



Safety Rules

REV A



Danger

Failure to obey the instructions and safety rules in this manual and the appropriate Operator's Manual on your machine will result in death or serious injury.

Many of the hazards identified in the operator's manual are also safety hazards when maintenance and repair procedures are performed.

Do Not Perform Maintenance Unless:

- You are trained and qualified to perform maintenance on this machine.
- You read, understand and obey:
 - manufacturer's instructions and safety rules
 - employer's safety rules and worksite regulations
 - applicable governmental regulations
- You have the appropriate tools, lifting equipment and a suitable workshop.