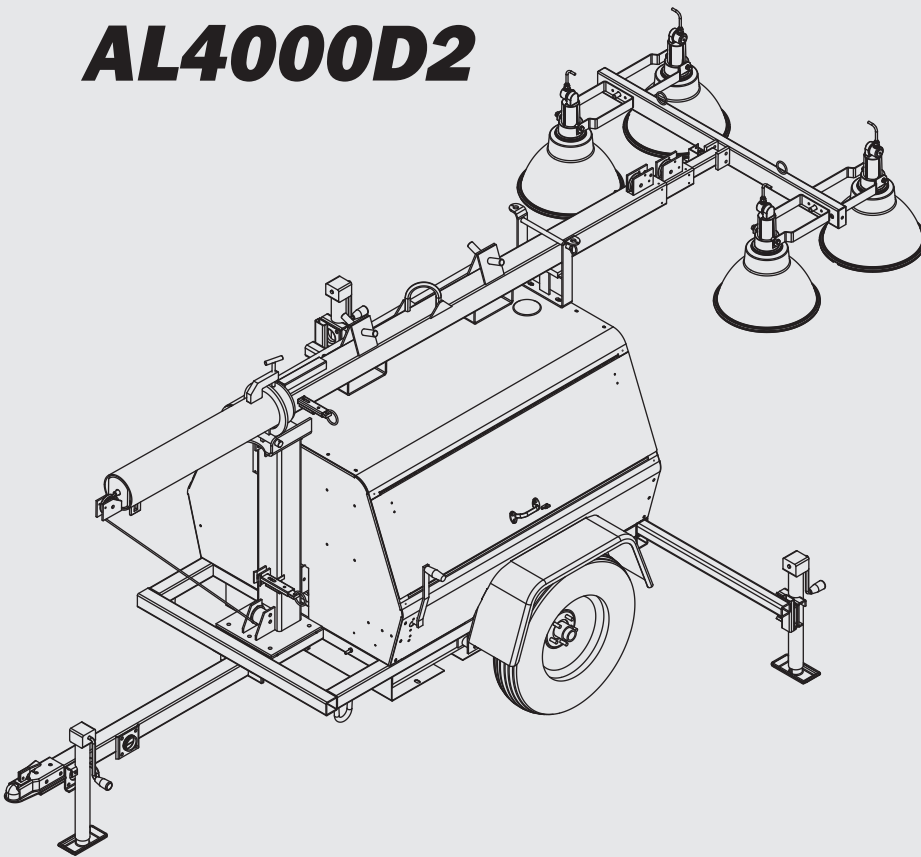




TEREX®

Parts Manual

AL4000D2



First Edition

Rev A

Part No. 116419

September 2008

Introduction

REV A

Important

Read, understand and obey the safety rules and operating instructions in the appropriate Operator's Manual on your machine before attempting any maintenance procedure.

Basic mechanical, hydraulic and electrical skills are required to perform most procedures. However, several procedures require specialized skills, tools, lifting equipment and a suitable workshop. In these instances, we strongly recommend that maintenance and repair be performed at an authorized TEREX dealer service center.

Technical Publications

TEREX Corporation has endeavored to deliver the highest degree of accuracy possible. However, continuous improvement of our products is a TEREX policy. Therefore, product specifications are subject to change without notice.

Readers are encouraged to notify TEREX of errors and send in suggestions for improvement. All communications will be carefully considered for future printings of this and all other manuals.

Contact Us:

www.TEREX.com

Serial Number Information

TEREX Corporation offers the following manuals for these models:

Title	Part No.
TEREX AL4000/5000 Operator's Manual First Edition	116416
TEREX AL4000 Parts Manual First Edition	116419
TEREX AL4000 Service Manual First Edition	116474
Leroy Somer Manual.....	116118
Kubota Engine Manual	893020
Axis Manual	116117
Marathon Manual	116188

Copyright © 2008 by TEREX Corporation

116419 Rev A September 2008
First Edition, First Printing

"TEREX" is a registered trademark of TEREX Corporation in the USA and many other countries. "Super Quiet" is a trademark of TEREX Corporation.

 Printed on recycled paper

Printed in U.S.A.

How to Read Your Serial Number

REV A

Serial Number Legend

The serial number plate on your AL4000 is located on the cabinet next to the light tower mast.

MANUFACTURED BY/FABRIQUE PAR:
 TEREX ROCK HILL
 590 Huey Road
 Rock Hill, SC 29732



DATE: FEBRUARY 2008

GVWR / PNBV	1,244 KG (2,743 LBS)
GAWR / PNBÉ	1,244 KG (2,743 LBS)
TIRES / PNEU	ST205/75D15 LOAD RANGE C
RIMS / JANTE	15,0 X 4,5 5H
COLD TIRES INFL/	35 PSI / 250 KPA

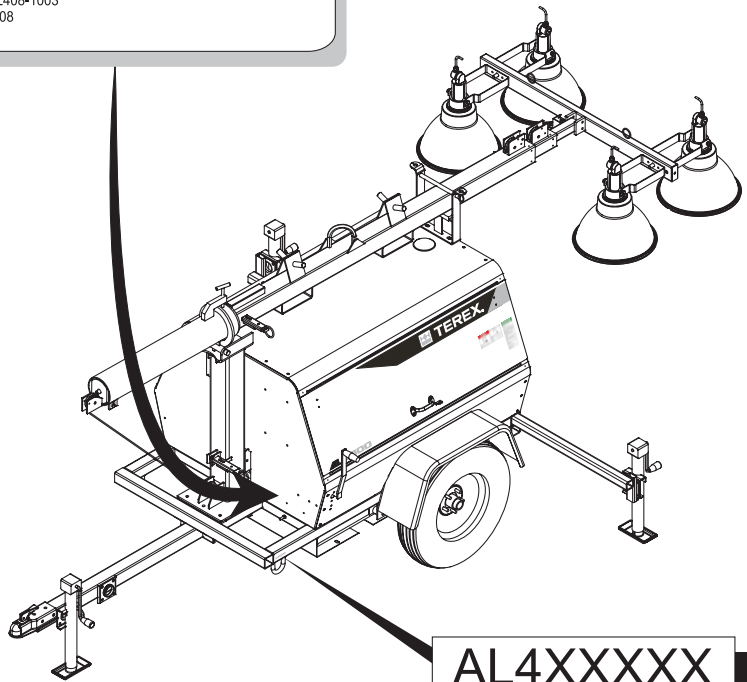
PRESS, DE GONFL. A FROID 'SINGLE'

THIS VEHICLE CONFORMS TO ALL APPLICABLE U.S. FEDERAL MOTOR VEHICLE SAFETY STANDARDS IN EFFECT ON THE DATE OF MANUFACTURE SHOWN ABOVE.

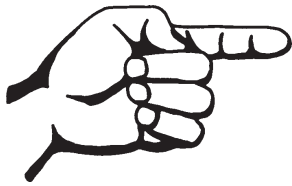
THIS VEHICLE CONFORMS TO ALL APPLICABLE STANDARDS PRESCRIBED UNDER THE CANADIAN MOTOR VEHICLE SAFETY REGULATIONS IN EFFECT ON THE DATE MANUFACTURE/ CE VEHICULE EST CONFORME A TOUTES LES NORMES QUI LUI SONT APPLICABLES EN VERTU DU REGLEMENT SUR LA SECURITE DES VEHICULES AUTOMOBILES DU CANADA EN VIGUEUR A LA DATE DE SA FABRICATION

TYPE OF VEHICLE / TYPE DE VEHICULE: TRAILER/REMORQUE

MODEL: AL4000
 SERIAL NUMBER: AL408-1003
 MODEL YEAR: 2008



AL4XXXXX
 Serial number is stamped into frame.



This page intentionally left blank.



Safety Rules

REV A



Danger

Failure to obey the instructions and safety rules in this manual and the appropriate Operator's Manual on your machine will result in death or serious injury.

Many of the hazards identified in the operator's manual are also safety hazards when maintenance and repair procedures are performed.

Do Not Perform Maintenance Unless:

- You are trained and qualified to perform maintenance on this machine.
- You read, understand and obey:
 - manufacturer's instructions and safety rules
 - employer's safety rules and worksite regulations
 - applicable governmental regulations
- You have the appropriate tools, lifting equipment and a suitable workshop.

Personal Safety

Any person working on or around a machine must be aware of all known safety hazards. Personal safety and the continued safe operation of the machine should be your top priority.



Read each procedure thoroughly. This manual and the decals on the machine, use signal words to identify the following:



Safety alert symbol—used to alert personnel to potential personal injury hazards. Obey all safety messages that follow this symbol to avoid possible injury or death.

▲ DANGER

Red—used to indicate the presence of an imminently hazardous situation which, if not avoided, will result in death or serious injury.

▲ WARNING

Orange—used to indicate the presence of a potentially hazardous situation which, if not avoided, could result in death or serious injury.

▲ CAUTION

Yellow with safety alert symbol—used to indicate the presence of a potentially hazardous situation which, if not avoided, may cause minor or moderate injury.

CAUTION

Yellow without safety alert symbol—used to indicate the presence of a potentially hazardous situation which, if not avoided, may result in property damage.

NOTICE

Green—used to indicate operation or maintenance information.



Be sure to wear protective eye wear and other protective clothing if the situation warrants it.



Be aware of potential crushing hazards such as moving parts, free swinging or unsecured components when lifting or placing loads. Always wear approved steel-toed shoes.

Workplace Safety



Be sure to keep sparks, flames and lighted tobacco away from flammable and combustible materials like battery gases and engine fuels. Always have an approved fire extinguisher within easy reach.



Be sure that all tools and working areas are properly maintained and ready for use. Keep work surfaces clean and free of debris that could get into machine components and cause damage.



Be sure that your workshop or work area is properly ventilated and well lit.



Be sure any forklift, overhead crane or other lifting or supporting device is fully capable of supporting and stabilizing the weight to be lifted. Use only chains or straps that are in good condition and of ample capacity.



Be sure that fasteners intended for one time use (i.e., cotter pins and self-locking nuts) are not reused. These components may fail if they are used a second time.



Be sure to properly dispose of old oil or other fluids. Use an approved container. Please be environmentally safe.

September 2008



Table of Contents

REV A

Introduction

Important Information - Introduction	<i>ii</i>
How to Read Your Serial Number	<i>iii</i>
Parts Stocking List	<i>ix</i>
How to Order Parts	<i>xi</i>
Service Parts Fax Order Form	<i>xii</i>

Section 1

Safety Rules

General Safety Rules	<i>v</i>
----------------------------	----------

Section 100

Rev Decals

A Figure 101.1 Decals	100 - 2
-----------------------------	---------

Section 200

Rev Chassis Components

A Figure 201.1 Light Tower Chassis	200 - 2
A Figure 202.1 Axle Assembly	200 - 4
A Figure 203.1 Fuel Tank Assembly	200 - 6

Section 300

Rev Cabinet Components

A Figure 301.1 Cabinet Components	300 - 2
---	---------

Section 400

Rev Electrical Components

A Figure 401.1 Electrical Control Box	400 - 2
A Figure 402.1 Ballast Box Assembly	400 - 4
A Figure 403.1 Light Fixture	400 - 6
A Figure 404.1 Coil Cord & Junction Box	400 - 8