

SPARES
BACKHOE LOADER
970

Publication No. August 2010

Contents

Chassis - Sideshift 4 Wheel Steer	12
Digger Stabilisers - Sideshift Mechanical Installation	14
Digger Stabilisers - Sideshift Stabilizer Cylinder	16
Digger Stabilisers - Sideshift Stabilizer Cylinder	18
Chassis - Centremount 4 Wheel Steer	20
Engine Cover Yellow	22
Engine Cover White	26
Front Axle - Installation 4 Wheel Drive/4 Wheel Steer	30
Front Axle - Housing 4 Wheel Drive/4 Wheel Steer	32
Front Axle - Differential Bevel Gear - 4 Wheel Steer	34
Front Axle - Differential 4 Wheel Drive/4 Wheel Steer	36
Front Axle - Steering Pivot 4 Wheel Drive/4 Wheel Steer	38
Front Axle - Drive Shaft 4 Wheel Drive/4 Wheel Steer	42
Front Axle - Wheel Hub 4 Wheel Drive/4 Wheel Steer	44
Steering System 4 Wheel Steer	46
Steering System 4 Wheel Steer	48
Wheels	50
Wheels	52
Wheels	54
Wheels	60
Wheels	64
Hardnose And Grille	66
Engine - Engine Installation Rg38099	68
Engine - Cylinder Block Rg38099	70
Engine - Pistons And Crankshaft Rg38099	72
Engine - Cylinder Head Rg38099	76
Engine - Rockers Rg38099	78
Engine - Camshaft Rg38099	80
Engine - Lubricating Oil Filler And Breather Rg38099	82
Engine - Turbocharger Connections Rg38099	86
Engine - Exhaust Manifold Rg38099	88
Engine - Thermostat And Water Filter Rg38099	90
Engine - Water Pump Rg38099	92
Engine - Crankshaft Pulley Rg38099	94
Engine - Flywheel Rg38099	96
Engine - Flywheel Housing Rg38099	98
Engine - Oil Pan Rg38099	100
Engine - Lubricating Oil Filter And Integral Oil Cooler Rg38099	102
Engine - Oil Pump Rg38099	104
Engine - Fuel System Rg38099	106
Engine - Fuel Lift Pump Rg38099	110
Engine - Filter With Fuel Separator Up To Serial Number Tba	112
Engine - Filter With Fuel Separator From Serial Number Tba	114
Engine - Alternator And Mounting Rg38099	116
Engine - Glow Plugs Rg38099	118
Engine - Engine Lifting Rg38099	120
Engine - Plug And Blank-Off Plug Rg38099	122
Engine - Joints And Gaskets Rg38099	124
Engine - Joints And Gaskets Rg38099	126
Engine - Engine Installation Rg38044	128
Engine - Cylinder Block Rg38044	130
Engine - Pistons And Crankshaft Rg38044	132

Engine - Cylinder Head Rg38044	136	Fuel System Tier 3	250
Engine - Rockers Rg38044	138	Fuel System - Fuel Tank Tier 3	252
Engine - Camshaft Rg38044	140	Exhaust System From Serial Number H200 7 1093	254
Engine - Lubricating Oil Filler And Breather Rg38044	142	Induction System - Air Filtration	256
Engine - Turbocharger Connections Rg38044	146	Induction System - Air Filter	258
Engine - Exhaust Manifold Rg38044	148	Induction System - Air Filtration With Pre Cleaner	260
Engine - Thermostat And Water Filter Rg38044	150	Induction System - Air Filter	262
Engine - Water Pump Rg38044	152	Cooling System Without Air Conditioning	264
Engine - Crankshaft Pulley Rg38044	154	Cooling System - Radiator Assembly Without Air Conditioning	268
Engine - Flywheel Rg38044	156	Cooling System With Air Conditioning	270
Engine - Flywheel Housing Rg38044	158	Cooling System - Radiator Assembly With Air Conditioning	274
Engine - Oil Pan Rg38044	160	Cooling System Without Air Conditioning	276
Engine - Lubricating Oil Filter And Integral Oil Cooler Rg38044	162	Cooling System - Radiator Assembly Without Air Conditioning	280
Engine - Oil Pump Rg38044	164	Cooling System With Air Conditioning	282
Engine - Fuel System Rg38044	166	Cooling System - Radiator Assembly With Air Conditioning	286
Engine - Fuel Lift Pump Rg38044	170	Torque Converter Powershift	288
Engine - Filter With Fuel Separator Up To Serial Number Tba	172	Drive Line Bolting Powershift	290
Engine - Filter With Fuel Separator From Serial Number Tba	174	Transmission - Oil Filler 4 Wheel Steer	294
Engine - Alternator And Mounting Rg38044	176	Transmission - Drive Shaft 4 Wheel Steer	296
Engine - Glow Plugs Rg38044	178	Transmission - Converter Housing Powershift	298
Engine - Engine Lifting Rg38044	180	Transmission - Housing Powershift	304
Engine - Plug And Blank-Off Plug Rg38044	182	Transmission - Charging Pump Powershift	308
Engine - Joints And Gaskets Rg38044	184	Transmission - Charging Pump Powershift	310
Engine - Joints And Gaskets Rg38044	186	Transmission - Fwd Low / Fwd High Shaft Powershift	312
Engine - Engine Installation Tier 3	188	Transmission - Reverse / First Shaft Powershift	316
Engine - Cylinder Block Tier 3	190	Transmission - Input Shaft Powershift	320
Engine - Pistons And Crankshaft Tier 3	192	Transmission - Second Shaft Powershift	322
Engine - Cylinder Head Tier 3	194	Transmission - Second Shaft Powershift	324
Engine - Rockers And Camshaft Tier 3	196	Transmission - Control Valve Mounting Powershift	328
Engine - Timing Case Tier 3	198	Transmission - Control Valve Powershift	330
Engine - Lubricating Oil Filler And Breather Tier 3	200	Transmission - Drive Plate Powershift	334
Engine - Turbocharger Connections Tier 3	204	Consumable	336
Engine - Exhaust Manifold Tier 3	206	Consumable	340
Engine - Thermostat And Water Pipes Tier 3	208	Consumable	342
Engine - Water Pump Tier 3	210	Consumable	344
Engine - Crankshaft Pulley Tier 3	212	Consumable	346
Engine - Flywheel Tier 3	214	Consumable	348
Engine - Flywheel Housing Tier 3	216	Consumable	350
Engine - Oil Pan Tier 3	218	Consumable	352
Engine - Oil Filter And Integral Oil Cooler Tier 3	220	Consumable	354
Engine - Oil Pump Tier 3	222	Consumable	356
Engine - Fuel System Tier 3	224	Consumable	358
Engine - Fuel Lift Pump Tier 3	228	Gear Change - Transmission Control Unit 4 Speed	360
Engine - Fuel Pipes Tier 3	230	Rear Axle 4 Wheel Steer	364
Engine - Filter With Fuel Separator Tier 3	232	Rear Axle - Housing 4 Wheel Steer	366
Engine - Alternator And Mounting Tier 3	234	Rear Axle - Centre Housing 4 Wheel Steer	368
Engine - Fan Drive Tier 3	236	Rear Axle - Steering Pivot 4 Wheel Steer	370
Engine - Glow Plugs Tier 3	238	Rear Axle - Wheel Hub 4 Wheel Steer	374
Engine - Starter Motor Tier 3	240	Rear Axle - Epicyclic Reduction Gear 4 Wheel Steer	376
Engine - Plugs And Mounts Tier 3	242	Rear Axle - Brakes 4 Wheel Steer	378
Engine - Cylinder Head Auxiliaries Tier 3	244	Rear Axle - Brake Caliper 4 Wheel Steer	380
Fuel System	246	Rear Axle - Brake Caliper 4 Wheel Steer	382
Fuel System - Fuel Tank	248	Rear Axle - Drive Shaft 4 Wheel Steer	384

Rear Axle - Differential Bevel Gear - 4 Wheel Steer	386	Tool Kit - Wheel Brace + Grease Gun	548
Rear Axle - Differential 4 Wheel Steer	388	Service Brake - Brake Circuit From Serial Number Tba	550
Rear Axle - Differential Lock Mechanism 4 Wheel Steer	390	Service Brake - Brake Circuit From Serial Number Tba	552
Hydraulic Valve - Backhoe Control Sideshift Digger Installation	392	Differential Lock Powershift	554
Hydraulic Valve - Backhoe Control Inlet	394	Parking Brake	556
Hydraulic Valve - Backhoe Control Slew	398	Cab - Frame	558
Hydraulic Valve - Backhoe Control Boom	404	Cab - Door	562
Hydraulic Valve - Backhoe Control Dipper	410	Cab - Rear Window	568
Hydraulic Valve - Backhoe Control Bucket	416	Cab - Outer Roof	572
Hydraulic Valve - Backhoe Control Stabilizer	422	Cab - Front Worklight	576
Hydraulic Valve - Backhoe Control Auxiliary	426	Cab - Rear Worklight	578
Hydraulic Valve - Backhoe Control Outlet	432	Cab - Inner Roof	580
Hydraulic Valve - Backhoe Control Centre Mounted Digger Installation	434	Cab - Frame	582
Hydraulic Valve - Backhoe Control Inlet	436	Cab - Door	586
Hydraulic Valve - Backhoe Control Slew	440	Cab - Rear Window	592
Hydraulic Valve - Backhoe Control Boom	446	Cab - Outer Roof	596
Hydraulic Valve - Backhoe Control Dipper	452	Cab - Inner Roof	600
Hydraulic Valve - Backhoe Control Bucket	458	Cab Trim - Windscreen Wiper	602
Hydraulic Valve - Backhoe Control Stabilizer	464	Cab - Front Worklight	604
Hydraulic Valve - Backhoe Control Auxiliary	468	Cab - Rear Worklight	606
Hydraulic Valve - Backhoe Control Outlet	474	Cab Trim - Heater	608
Hydraulic Valve - Backhoe Control Sideshift Digger Installation	476	Cab Trim - Console	610
Hydraulic Valve - Backhoe Control Sideshift Digger Installation	480	Cab Trim - Console RH	612
Hydraulic Valve - Backhoe Control Sideshift Digger Installation	482	Cab Side Console - Fuse & Relay Board	614
Hydraulic Valve - Backhoe Control Sideshift Digger Installation	484	Cab Trim - Cab Mounting	618
Hydraulic Valve - Backhoe Control Sideshift Digger Installation	486	Cab Trim - Floorplate Cab	620
Hydraulic Valve - Backhoe Control Sideshift Digger Installation	488	Cab Trim - Console	622
Hydraulic Valve - Backhoe Control Sideshift Digger Installation	490	Cab Trim - Windscreen Wiper	624
Hydraulic Valve - Backhoe Control Sideshift Digger Installation	492	Cab Trim - Cab Mounting	626
Hydraulic Valve - Backhoe Control Sideshift Digger Installation	494	Cab Trim - Floorplate & Digger Tower	628
Hydraulic Valve - Backhoe Control Centre Mounted Digger Installation	496	Cab Trim - Mats	630
Hydraulic Valve - Backhoe Control Centre Mounted Digger Installation	498	Cab Trim - Mats	632
Hydraulic Valve - Backhoe Control Centre Mounted Digger Installation	500	Cab Environment - Heater Installation Front	634
Hydraulic Valve - Backhoe Control Centre Mounted Digger Installation	502	Cab Environment - Heater Installation Rear	638
Hydraulic Valve - Backhoe Control Centre Mounted Digger Installation	504	Cab Environment - Heater Unit	640
Hydraulic Valve - Backhoe Control Centre Mounted Digger Installation	506	Cab Environment - Air Conditioning Installation	642
Hydraulic Valve - Backhoe Control Centre Mounted Digger Installation	508	Cab Environment - Heater Installation Front	646
Hydraulic Valve - Backhoe Control Centre Mounted Digger Installation	510	Cab Environment - Air Conditioning Installation Rear	650
Hydraulic Valve - Backhoe Control Centre Mounted Digger Installation	512	Cab Environment - Air Conditioning Unit	652
Torque Converter - Hydraulic Lines Powershift	514	Front Console - Installation Cab	656
Main Hydraulics - Hydraulic Lines Powershift	516	Front Console Cab	658
Main Hydraulics - Hydraulic Lines Powershift	520	Front Console - Instrument Panel Cab	660
Main Hydraulics - Oil Filter Powershift	524	Front Console - Forward/Reverse Switch Cab	662
Main Hydraulics - Solenoid Valve Powershift	526	Front Console - Installation Cab	664
Hydraulic Reservoir Powershift	528	Front Console Cab	666
Main Hydraulics - Tandem Pump Powershift	530	Front Console - Instrument Panel Cab	668
Control Box - Installation From Serial Number Tba	532	Front Console - Forward/Reverse Switch Cab	670
Control Box Control Pedals	534	Front Console - Installation Cab	672
Control Box Hydraulics	538	Front Console Cab	674
Control Box Brake Cylinder	540	Front Console - Instrument Panel Cab	676
Control Box Steering	542	Front Console - Forward/Reverse Switch Cab	678
Throttle Controls	544	Front Console - Installation Cab	680
Throttle Controls Lever, Control	546	Front Console Cab	682

Front Console - Instrument Panel Cab	684	Loader - Arms White	806
Front Console - Forward/Reverse Switch Cab	686	Loader - Links White	810
Side Console Switchpack	688	Loader - Return To Dig Mechanical	812
Side Console - Instrument Panel Switchpack	692	Loader - Return To Dig Mechanical	816
Side Console - Fuse & Relay Board	694	Loader - Safety Strut	820
Side Console Switchpack	696	Loader Bucket - Standard For Use With Forks	822
Side Console - Instrument Panel Switchpack	700	Loader Bucket - 7 In 1	824
Side Console - Fuse & Relay Board	702	Loader Bucket - 7 In 1 Bucket Pipework	826
Side Console Switchpack	704	Loader Bucket - 7 In 1 Cylinder	828
Side Console - Instrument Panel Switchpack	706	Loader Bucket Less Bucket	830
Side Console Switchpack	708	Loader Hydraulics - Lift Cylinder High Specification	832
Side Console - Instrument Panel Switchpack	710	Loader Hydraulics - Lift Cylinder High Specification Pacoma	836
Chassis Electrics	712	Loader Hydraulics - Lift Cylinder High Specification Wipro	838
Battery - Single From Serial Number H200 4 2919	716	Loader Hydraulics - Bucket Cylinder High Specification	840
Battery - Dual From Serial Number H200 4 2919	718	Loader Hydraulics - Bucket Cylinder High Specification Pacoma	844
Battery - Single Tier 3	720	Loader Hydraulics - Bucket Cylinder High Specification Wipro	846
Battery - Dual Tier 3	722	Loader Hydraulics - Lift Cylinder High Specification	848
Rear Lighting - Sideshift	724	Loader Hydraulics - Lift Cylinder High Specification Pacoma	852
Rear Lighting - Centremount	726	Loader Hydraulics - Lift Cylinder High Specification Wipro	854
Rear Lighting - ROPS	728	Loader Hydraulics - Bucket Cylinder High Specification	856
Front Lighting - Headlights Left Hand Dip	730	Loader Hydraulics - Bucket Cylinder High Specification Pacoma	860
Front Lighting - Headlights Right Hand Dip	732	Loader Hydraulics - Bucket Cylinder High Specification Wipro	862
Mirrors - Cab	734	Loader Hydraulics - Lift Cylinder High Specification	864
Seat - Seat Installation Fabric Trim - Cab Machines	736	Loader Hydraulics - Lift Cylinder High Specification Pacoma	868
Seat - Fabric Trim Cab	738	Loader Hydraulics - Lift Cylinder High Specification Wipro	870
Seat - Seat Installation Air Suspension	740	Loader Hydraulics - Bucket Cylinder Standard Specification	872
Seat - Fabric Trim Air Suspension	742	Loader Hydraulics - Bucket Cylinder High Specification Pacoma	874
Seat - Seat Installation Air Suspension	744	Loader Hydraulics - Bucket Cylinder High Specification Wipro	876
Front Fenders 4 Wheel Steer	750	Loader Hydraulics - Lift Cylinder High Specification	878
Ride Control - Hydraulic Circuit English	752	Loader Hydraulics - Lift Cylinder High Specification Pacoma	882
Ride Control - Hydraulic Circuit English	754	Loader Hydraulics - Lift Cylinder High Specification Wipro	884
Ride Control - Hydraulic Circuit Less Ride Control	756	Loader Hydraulics - Bucket Cylinder High Specification	886
Ride Control - Hydraulic Circuit French	758	Loader Hydraulics - Bucket Cylinder High Specification Pacoma	890
Ride Control - Hydraulic Circuit French	760	Loader Hydraulics - Bucket Cylinder High Specification Wipro	892
Ride Control - Hydraulic Circuit German	762	Loader Hydraulics - Lift Cylinder High Specification	894
Ride Control - Hydraulic Circuit German	764	Loader Hydraulics - Lift Cylinder High Specification Pacoma	898
Ride Control - Hydraulic Circuit Italian	766	Loader Hydraulics - Lift Cylinder High Specification Wipro	900
Ride Control - Hydraulic Circuit Italian	768	Loader Hydraulics - Bucket Cylinder High Specification	902
Ride Control - Hydraulic Circuit Spanish	770	Loader Hydraulics - Bucket Cylinder High Specification Pacoma	906
Ride Control - Hydraulic Circuit Spanish	772	Loader Hydraulics - Bucket Cylinder High Specification Wipro	908
Ride Control - Hydraulic Circuit Dutch	774	Loader Hydraulics - Lift Cylinder High Specification	910
Ride Control - Hydraulic Circuit Dutch	776	Loader Hydraulics - Lift Cylinder High Specification Pacoma	914
Ride Control - Hydraulic Circuit Danish	778	Loader Hydraulics - Lift Cylinder High Specification Wipro	916
Ride Control - Hydraulic Circuit Danish	780	Loader Hydraulics - Bucket Cylinder High Specification	918
Ride Control - Hydraulic Circuit	782	Loader Hydraulics - Bucket Cylinder High Specification Pacoma	922
Ride Control - Hydraulic Circuit Solenoid Valve	784	Loader Hydraulics - Bucket Cylinder High Specification Wipro	924
Ride Control - Hydraulic Circuit	786	Hose Burst Kit Loader Arm Cylinder	926
Ride Control - Hydraulic Circuit Solenoid Valve	788	Hose Burst Kit Loader Bucket Cylinder	930
Loader - Arms Yellow	790	Hose Burst Kit Boom Cylinder	934
Loader - Links Yellow	794	Hose Burst Kit Dipper Cylinder	936
Loader - Return To Dig Mechanical	796	Loader Controls Upper Control Levers	938
Loader - Return To Dig Mechanical	800	Loader Controls Lower Control Levers	942
Loader - Safety Strut	804	Loader Controls Control Valve	946

Loader Controls - Hydraulic Valve Inlet	948	Loader Controls Upper Control Levers	1070
Loader Controls - Hydraulic Valve Loader Arm Section	950	Loader Controls Lower Control Levers	1074
Loader Controls - Hydraulic Valve Standard Bucket Section	952	Loader Controls Control Valve	1078
Loader Controls - Hydraulic Valve Standard Bucket Section	954	Loader Controls - Hydraulic Valve Inlet	1080
Loader Controls - Hydraulic Valve Standard Bucket Section	956	Loader Controls - Hydraulic Valve Loader Arm Section	1082
Loader Controls Upper Control Levers	958	Loader Controls - Hydraulic Valve Standard Bucket Section	1084
Loader Controls Lower Control Levers	962	Loader Controls - Hydraulic Valve Standard Bucket Section	1086
Loader Controls Control Valve	966	Loader Controls - Hydraulic Valve Standard Bucket Section	1088
Loader Controls - Hydraulic Valve Inlet	968	Boom Transport Lock Sideshift Digger	1094
Loader Controls - Hydraulic Valve Loader Arm Section	970	Boom Transport Lock Centre Mounted Digger	1096
Loader Controls - Hydraulic Valve Standard Bucket Section	972	Digger Stabilisers - Sideshift Hydraulic Installation	1098
Loader Controls - Hydraulic Valve Standard Bucket Section	974	Digger Stabilisers - Sideshift Mechanical Installation	1100
Loader Controls - Hydraulic Valve Standard Bucket Section	976	Digger Stabilisers - Sideshift Hydraulic Installation	1102
Loader Controls Upper Control Levers	978	Digger Stabilisers - Sideshift Stabilizer Cylinder	1104
Loader Controls Lower Control Levers	980	Digger Stabilisers - Sideshift Stabilizer Cylinder	1106
Loader Controls Control Valve	984	Digger Stabilisers - Sideshift Lock-Out Valve	1108
Loader Controls - Hydraulic Valve Inlet	986	Digger Swing Pivot - Sideshift	1110
Loader Controls - Hydraulic Valve Loader Arm Section	988	Digger Swing Pivot - Sideshift Swing Cylinder Pacoma	1114
Loader Controls - Hydraulic Valve Standard Bucket Section	990	Digger Swing Pivot - Sideshift Swing Cylinder Wipro	1116
Loader Controls - Hydraulic Valve Standard Bucket Section	992	Digger Swing Pivot - Centremount	1118
Loader Controls - Hydraulic Valve Standard Bucket Section	994	Digger Swing Pivot - Centremount Swing Cylinder Pacoma	1120
Loader Controls Upper Control Levers	996	Digger Swing Pivot - Centremount Swing Cylinder Wipro	1122
Loader Controls Lower Control Levers	998	Boom	1124
Loader Controls Control Valve	1002	Boom	1126
Loader Controls - Hydraulic Valve Inlet	1004	Not Serviced	1128
Loader Controls - Hydraulic Valve Loader Arm Section	1006	Dipper - Standard	1130
Loader Controls - Hydraulic Valve Standard Bucket Section	1008	Dipper - Standard	1132
Loader Controls - Hydraulic Valve Standard Bucket Section	1010	Dipper - Extendahoe	1134
Loader Controls - Hydraulic Valve Standard Bucket Section	1012	Dipper - Extendahoe Cylinder	1140
Loader Controls Upper Control Levers	1014	Dipper - Extendahoe	1142
Loader Controls Lower Control Levers	1016	Dipper - Extendahoe Cylinder	1148
Loader Controls Control Valve	1020	Dipper - Standard Case Bucket	1150
Loader Controls - Hydraulic Valve Inlet	1022	Dipper - Standard Case Bucket	1152
Loader Controls - Hydraulic Valve Loader Arm Section	1024	Dipper - Extendahoe Case Bucket	1154
Loader Controls - Hydraulic Valve Standard Bucket Section	1026	Dipper - Extendahoe Cylinder	1160
Loader Controls - Hydraulic Valve Standard Bucket Section	1028	Dipper - Extendahoe Case Bucket	1162
Loader Controls - Hydraulic Valve Standard Bucket Section	1030	Dipper - Extendahoe Cylinder	1168
Loader Controls Upper Control Levers	1032	Dipper - Standard Jcb Bucket	1170
Loader Controls Lower Control Levers	1036	Dipper - Standard Jcb Bucket	1172
Loader Controls Control Valve	1040	Dipper - Extendahoe Jcb Bucket	1174
Loader Controls - Hydraulic Valve Inlet	1042	Dipper - Extendahoe Cylinder	1180
Loader Controls - Hydraulic Valve Loader Arm Section	1044	Dipper - Extendahoe Jcb Bucket	1182
Loader Controls - Hydraulic Valve Standard Bucket Section	1046	Dipper - Extendahoe Cylinder	1188
Loader Controls - Hydraulic Valve Standard Bucket Section	1048	Digger Bucket Linkage	1190
Loader Controls - Hydraulic Valve Standard Bucket Section	1050	Digger Bucket Linkage	1192
Loader Controls Upper Control Levers	1052	Digger Bucket Linkage - Jcb Buckets	1194
Loader Controls Lower Control Levers	1054	Digger Bucket Linkage - Jcb Buckets	1196
Loader Controls Control Valve	1058	Digger Bucket Linkage - Case Buckets	1198
Loader Controls - Hydraulic Valve Inlet	1060	Digger Bucket Linkage - Case Buckets	1200
Loader Controls - Hydraulic Valve Loader Arm Section	1062	Digger Hydraulics - Sideshift Bucket	1202
Loader Controls - Hydraulic Valve Standard Bucket Section	1064	Digger Hydraulics - Sideshift Bucket Cylinder - Pacoma	1206
Loader Controls - Hydraulic Valve Standard Bucket Section	1066	Digger Hydraulics - Sideshift Bucket Cylinder - Wipro	1208
Loader Controls - Hydraulic Valve Standard Bucket Section	1068	Digger Hydraulics - Sideshift Standard Dipper	1210

Digger Hydraulics - Sideshift Dipper Cylinder - Pacoma	1212	Digger Hydraulics - Sideshift Dipper Cylinder - Wipro	1342
Digger Hydraulics - Sideshift Dipper Cylinder - Wipro	1214	Digger Hydraulics - Centremount Boom 4.5m	1344
Digger Hydraulics - Sideshift Boom	1216	Digger Hydraulics - Centremount Boom Cylinder - Pacoma	1346
Digger Hydraulics - Sideshift Boom Cylinder Pacoma	1218	Digger Hydraulics - Centremount Boom Cylinder - Wipro	1348
Digger Hydraulics - Sideshift Boom Cylinder Wipro	1220	Digger Hydraulics - Centremount Swing Components	1350
Digger Hydraulics - Sideshift Swing Components	1222	Digger Hydraulics - Centremount Bucket	1352
Digger Hydraulics - Sideshift Clamp	1224	Digger Hydraulics - Centremount Bucket Cylinder - Pacoma	1356
Digger Hydraulics - Sideshift Attachment	1226	Digger Hydraulics - Sideshift Bucket Cylinder - Wipro	1358
Digger Hydraulics - Sideshift Attachment	1230	Digger Hydraulics - Centremount Telescopic Dipper	1360
Digger Hydraulics - Sideshift Bucket	1234	Digger Hydraulics - Centremount Dipper Cylinder - Pacoma	1362
Digger Hydraulics - Sideshift Bucket Cylinder - Pacoma	1238	Digger Hydraulics - Sideshift Dipper Cylinder - Wipro	1364
Digger Hydraulics - Sideshift Bucket Cylinder - Wipro	1240	Digger Hydraulics - Centremount Boom 4.5m	1366
Digger Hydraulics - Sideshift Telescopic Dipper	1242	Digger Hydraulics - Centremount Boom Cylinder - Pacoma	1368
Digger Hydraulics - Sideshift Dipper Cylinder - Pacoma	1244	Digger Hydraulics - Centremount Boom Cylinder - Wipro	1370
Digger Hydraulics - Sideshift Dipper Cylinder - Wipro	1246	Digger Hydraulics - Centremount Swing Components	1372
Digger Hydraulics - Sideshift Boom	1248	Digger Hydraulics - Centremount Bucket	1374
Digger Hydraulics - Sideshift Boom Cylinder Pacoma	1250	Digger Hydraulics - Centremount Bucket Cylinder - Pacoma	1378
Digger Hydraulics - Sideshift Boom Cylinder Wipro	1252	Digger Hydraulics - Sideshift Bucket Cylinder - Wipro	1380
Digger Hydraulics - Sideshift Swing Components	1254	Digger Hydraulics - Centremount Standard Dipper	1382
Digger Hydraulics - Sideshift Clamp	1256	Digger Hydraulics - Centremount Dipper Cylinder - Pacoma	1384
Digger Hydraulics - Sideshift Attachment	1258	Digger Hydraulics - Sideshift Dipper Cylinder - Wipro	1386
Digger Hydraulics - Sideshift Attachment	1262	Digger Hydraulics - Centremount Boom	1388
Digger Hydraulics - Sideshift Bucket	1266	Digger Hydraulics - Centremount Boom Cylinder - Pacoma	1390
Digger Hydraulics - Sideshift Bucket Cylinder - Pacoma	1270	Digger Hydraulics - Centremount Boom Cylinder - Wipro	1392
Digger Hydraulics - Sideshift Bucket Cylinder - Wipro	1272	Digger Hydraulics - Centremount Swing Components	1394
Digger Hydraulics - Sideshift Standard Dipper	1274	Digger Hydraulics - Centremount Bucket	1396
Digger Hydraulics - Sideshift Dipper Cylinder - Pacoma	1276	Digger Hydraulics - Centremount Bucket Cylinder - Pacoma	1400
Digger Hydraulics - Sideshift Dipper Cylinder - Wipro	1278	Digger Hydraulics - Sideshift Bucket Cylinder - Wipro	1402
Digger Hydraulics - Sideshift Boom	1280	Digger Hydraulics - Centremount Telescopic Dipper	1404
Digger Hydraulics - Sideshift Boom Cylinder Pacoma	1282	Digger Hydraulics - Centremount Dipper Cylinder - Pacoma	1406
Digger Hydraulics - Sideshift Boom Cylinder Wipro	1284	Digger Hydraulics - Sideshift Dipper Cylinder - Wipro	1408
Digger Hydraulics - Sideshift Swing Components	1286	Digger Hydraulics - Centremount Boom	1410
Digger Hydraulics - Sideshift Clamp	1288	Digger Hydraulics - Centremount Boom Cylinder - Pacoma	1412
Digger Hydraulics - Sideshift Attachment	1290	Digger Hydraulics - Centremount Boom Cylinder - Wipro	1414
Digger Hydraulics - Sideshift Attachment	1294	Digger Hydraulics - Centremount Swing Components	1416
Digger Hydraulics - Sideshift Bucket	1298	Digger Hydraulics - Centremount Bucket	1418
Digger Hydraulics - Sideshift Bucket Cylinder - Pacoma	1302	Digger Hydraulics - Centremount Bucket Cylinder - Pacoma	1422
Digger Hydraulics - Sideshift Bucket Cylinder - Wipro	1304	Digger Hydraulics - Sideshift Bucket Cylinder - Wipro	1424
Digger Hydraulics - Sideshift Telescopic Dipper	1306	Digger Hydraulics - Centremount Standard Dipper	1426
Digger Hydraulics - Sideshift Dipper Cylinder - Pacoma	1308	Digger Hydraulics - Centremount Dipper Cylinder - Pacoma	1428
Digger Hydraulics - Sideshift Dipper Cylinder - Wipro	1310	Digger Hydraulics - Sideshift Dipper Cylinder - Wipro	1430
Digger Hydraulics - Sideshift Boom	1312	Digger Hydraulics - Centremount Boom 4.5m	1432
Digger Hydraulics - Sideshift Boom Cylinder - Pacoma	1314	Digger Hydraulics - Centremount Boom Cylinder - Pacoma	1434
Digger Hydraulics - Sideshift Boom Cylinder - Wipro	1316	Digger Hydraulics - Centremount Boom Cylinder - Wipro	1436
Digger Hydraulics - Sideshift Swing Components	1318	Digger Hydraulics - Centremount Swing Components	1438
Digger Hydraulics - Sideshift Clamp	1320	Digger Hydraulics - Centremount Bucket	1440
Digger Hydraulics - Sideshift Attachment	1322	Digger Hydraulics - Centremount Bucket Cylinder - Pacoma	1444
Digger Hydraulics - Sideshift Attachment	1326	Digger Hydraulics - Sideshift Bucket Cylinder - Wipro	1446
Digger Hydraulics - Centremount Bucket	1330	Digger Hydraulics - Centremount Telescopic Dipper	1448
Digger Hydraulics - Centremount Bucket Cylinder - Pacoma	1334	Digger Hydraulics - Centremount Dipper Cylinder - Pacoma	1450
Digger Hydraulics - Sideshift Bucket Cylinder - Wipro	1336	Digger Hydraulics - Sideshift Dipper Cylinder - Wipro	1452
Digger Hydraulics - Centremount Standard Dipper	1338	Digger Hydraulics - Centremount Boom 4.5m	1454
Digger Hydraulics - Centremount Dipper Cylinder - Pacoma	1340	Digger Hydraulics - Centremount Boom Cylinder - Pacoma	1456

Digger Hydraulics - Centremount Boom Cylinder - Wipro	1458	Auxiliary Hydraulics - Centremount Telescopic Dipper - Boom 4.9m	1588
Digger Hydraulics - Centremount Swing Components	1460	Auxiliary Hydraulics - Centremount Standard Dipper	1592
Digger Hydraulics - Centremount Bucket	1462	Auxiliary Hydraulics - Centremount Standard Dipper	1594
Digger Hydraulics - Centremount Bucket Cylinder - Pacoma	1466	Auxiliary Hydraulics - Centremount Control Pedal	1596
Digger Hydraulics - Sideshift Bucket Cylinder - Wipro	1468	Auxiliary Hydraulics - Centremount Standard Dipper	1598
Digger Hydraulics - Centremount Standard Dipper	1470	Auxiliary Hydraulics - Centremount Standard Dipper	1600
Digger Hydraulics - Centremount Dipper Cylinder - Pacoma	1472	Auxiliary Hydraulics - Centremount Control Pedal	1602
Digger Hydraulics - Sideshift Dipper Cylinder - Wipro	1474	Not Serviced	1604
Digger Hydraulics - Centremount Boom	1476	Digger Bucket - Standard	1606
Digger Hydraulics - Centremount Boom Cylinder - Pacoma	1478	Digger Bucket - Standard	1608
Digger Hydraulics - Centremount Boom Cylinder - Wipro	1480	Digger Bucket - Standard	1610
Digger Hydraulics - Centremount Swing Components	1482	Digger Bucket - Standard	1612
Digger Hydraulics - Centremount Bucket	1484	Digger Bucket - Standard 305 Mm	1614
Digger Hydraulics - Centremount Bucket Cylinder - Pacoma	1488	Digger Bucket - Ditch Cleaning	1616
Digger Hydraulics - Sideshift Bucket Cylinder - Wipro	1490	Digger Bucket - Ditch Cleaning	1618
Digger Hydraulics - Centremount Telescopic Dipper	1492	Digger Bucket - Gannon 12 In	1620
Digger Hydraulics - Centremount Dipper Cylinder - Pacoma	1494	Digger Bucket - Gannon 18 In	1622
Digger Hydraulics - Sideshift Dipper Cylinder - Wipro	1496	Digger Bucket - Gannon 24 In	1624
Digger Hydraulics - Centremount Boom	1498	Not Serviced	1626
Digger Hydraulics - Centremount Boom Cylinder - Pacoma	1500	Digger Bucket - Premium	1628
Digger Hydraulics - Centremount Boom Cylinder - Wipro	1502	Digger Bucket - Premium	1630
Digger Hydraulics - Centremount Swing Components	1504	Digger Bucket - Premium	1632
Digger Controls Standard	1506	Digger Bucket - Premium	1634
Digger Controls ISO	1508	Digger Bucket - Premium	1636
Digger Controls X Pattern	1512	Digger Bucket - Ditch Maintenance	1638
Digger Controls ISO / Sae	1514	Digger Bucket - Ditch Maintenance	1640
Extendahoe Hydraulics - Sideshift Without Auxiliary Hydraulics	1518	Digger Bucket - Ditch Digging	1642
Extendahoe Hydraulics - Sideshift Control Pedal	1520	Digger Bucket - Jcb	1644
Extendahoe Hydraulics - Sideshift With Auxiliary Hydraulics	1522	Digger Bucket - Jcb	1646
Extendahoe Hydraulics - Sideshift Control Pedal	1524	Digger Bucket - Jcb	1648
Extendahoe Hydraulics - Centremount Without Auxiliary Hydraulics	1526	Digger Bucket - Jcb	1650
Extendahoe Hydraulics - Centremount Control Pedal	1528	Digger Bucket - Jcb	1652
Extendahoe Hydraulics - Centremount Without Auxiliary Hydraulics	1530	Digger Bucket - Ditch Maintenance Jcb Bucket	1654
Extendahoe Hydraulics - Centremount Control Pedal	1532	Digger Bucket - Ditch Maintenance Jcb Bucket	1656
Extendahoe Hydraulics - Centremount With Auxiliary Hydraulics	1534	Not Serviced	1658
Extendahoe Hydraulics - Centremount Control Pedal	1536	Rear Fenders 4 Wheel Steer	1660
Extendahoe Hydraulics - Centremount With Auxiliary Hydraulics	1538	Rear Fenders - Sideshift Mudguard	1662
Extendahoe Hydraulics - Centremount Control Pedal	1540	Rear Fenders 4 Wheel Steer	1664
Extendahoe Hydraulics Less Control Pedal	1542	Rear Fenders - Sideshift Mudguard	1666
Extendahoe Hydraulics Control Pedal	1544	Rear Fenders 4 Wheel Steer	1668
Not Serviced	1546	Rear Fenders 4 Wheel Steer	1670
Stabiliser Controls - Sideshift Digger	1548	Rear Fenders 4 Wheel Steer	1674
Stabiliser Controls - Sideshift Digger	1552	Decals - Machine Identity	1676
Stabiliser Controls - Centremount Digger	1554	Decals - Warnings General Markets	1678
Stabiliser Controls - Centremount Digger	1558	Decals - Instructions General Markets	1680
Auxiliary Hydraulics - Sideshift Telescopic Dipper	1560	Decals - Miscellaneous General Markets	1682
Auxiliary Hydraulics - Sideshift Telescopic Dipper	1564	Decals - Warnings French	1684
Auxiliary Hydraulics - Sideshift Standard Dipper	1570	Decals - Instructions French	1686
Auxiliary Hydraulics - Sideshift Standard Dipper	1574	Decals - Miscellaneous French	1688
Auxiliary Hydraulics - Sideshift Control Pedal	1578	Decals - Warnings Italian	1690
Auxiliary Hydraulics - Centremount Telescopic Dipper - Boom 4.5m	1580	Decals - Instructions Italian	1692
Auxiliary Hydraulics - Centremount Telescopic Dipper - Boom 4.5m	1582	Decals - Miscellaneous Italian	1694
Auxiliary Hydraulics - Centremount Telescopic Dipper - Boom 4.9m	1586	Decals - Warnings	1696

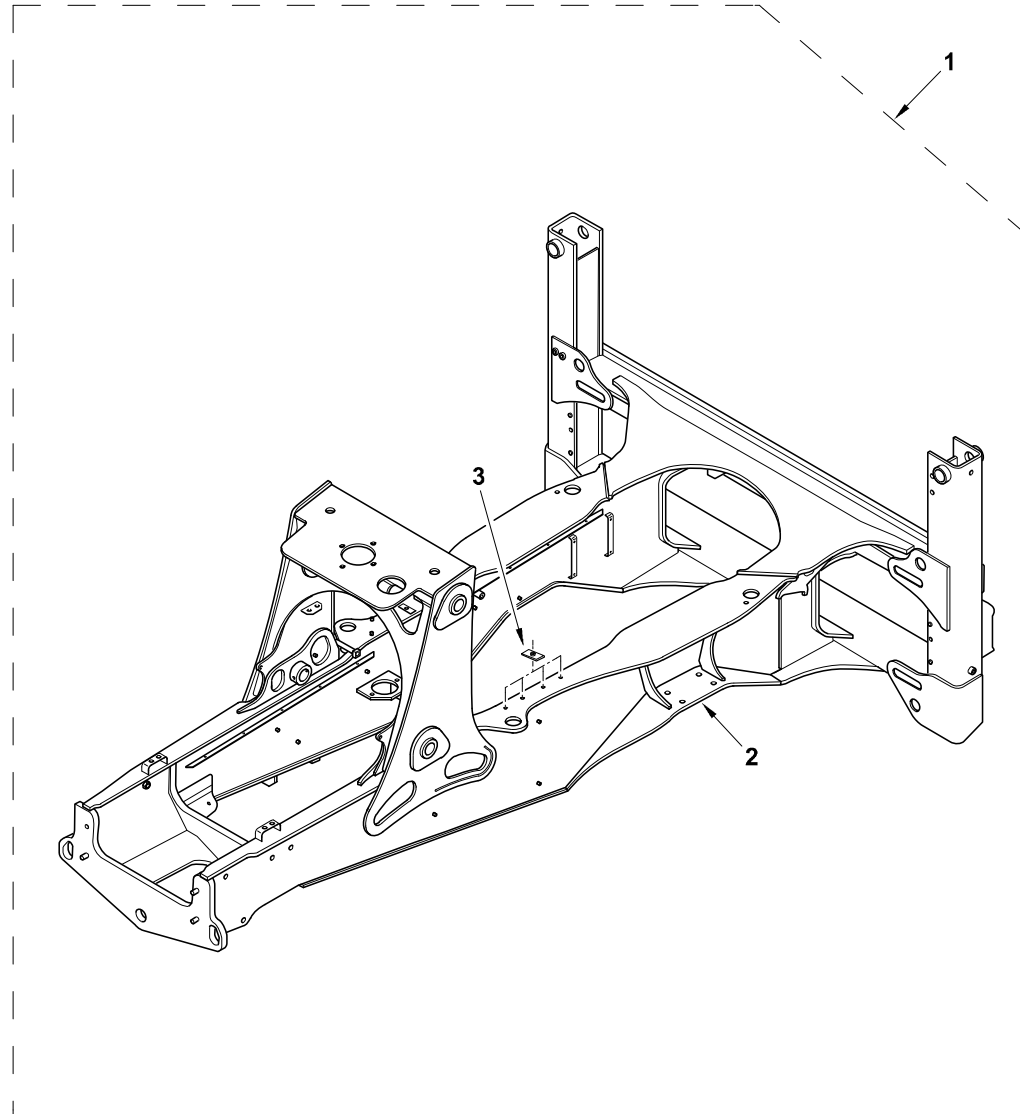
Decals - Instructions	1698	Bucket Pins Kit Single	1804
Decals - Miscellaneous	1700	Bucket Pins Kit Double	1806
Decals - Warnings Austria	1702	Jcb Bucket Pins Kit Single	1808
Decals - Instructions Austria	1704	Jcb Bucket Pins Kit Double	1810
Decals - Miscellaneous Austria	1706	Bucket Pins Kit Loader	1812
Decals - Warnings German	1708	Not Serviced	1814
Decals - Instructions German	1710	Digger Craning Eye Kit Sideshift Digger	1816
Decals - Miscellaneous German	1712	Digger Craning Eye Kit Centre Mounted Digger	1818
Decals - Warnings	1714	Digger Craning Eye Kit Sideshift Digger	1820
Decals - Instructions	1716	Digger Craning Eye Kit Centre Mounted Digger	1822
Decals - Miscellaneous	1718	Craning Valve Kit Cab	1824
Decals - Warnings	1720	Fuel Strainer Kit	1828
Decals - Instructions	1722	Not Serviced	1830
Decals - Miscellaneous	1724	Street Pads Kit Sideshift Digger	1832
Decals - Warnings	1726	Service Tool Kit	1834
Decals - Instructions	1728	Rotating Beacon Kit Single	1836
Decals - Miscellaneous	1730	Rotating Beacon Kit Double	1838
Decals - Warnings North America	1732	Seat Armrest Kit	1840
Decals - Instructions North America	1734	Kit - Headrest	1842
Decals - Miscellaneous North America	1736	Steering Wheel Spinner Knob Kit	1844
Decals - Warnings General Markets	1738	Bucket Blade Kit Wide	1846
Decals - Instructions General Markets	1740	Bucket Tooth Kit Loader Bucket, 7-In-1	1848
Decals - Miscellaneous General Markets	1742	Hose Burst Kit - Quick Attach Boom Cylinder	1850
Decals - Warnings	1744	Hose Burst Kit - Quick Attach Boom Cylinder	1854
Decals - Instructions	1746	Hose Bust Kit - Less Quick Attach Boom Cylinder	1858
Decals - Miscellaneous	1748	Hose Bust Kit - Less Quick Attach Boom Cylinder	1862
Decals - Warnings	1750	Hose Bust Kit - Less Quick Attach Boom Cylinder	1866
Decals - Instructions	1752	Hose Burst Kit - Quick Attach Boom Cylinder	1868
Decals - Miscellaneous	1754	Hose Burst Kit - Quick Attach Boom Cylinder	1872
Decals - Warnings	1756	Hose Bust Kit - Less Quick Attach Boom Cylinder	1876
Decals - Instructions	1758	Hose Bust Kit - Less Quick Attach Boom Cylinder	1880
Decals - Miscellaneous	1760	Hose Bust Kit - Less Quick Attach Boom Cylinder	1884
Decals - Warnings German	1762	Literature Operator Manual - English	1886
Decals - Instructions German	1764	Literature Operator Manual - Spanish	1888
Decals - Miscellaneous German	1766	Literature Operator Manual - French	1890
Kit - Forks Loader Bucket	1768	Literature Operator Manual - German	1892
Kit - Loader Quick Attach Pins	1770	Literature Operator Manual - Danish	1894
Kit - Loader Quick Attach Tubes	1772	Rockguard Kit	1896
Kit - Loader Quick Attach	1774	Spare Wheels - Rear (M15)	1898
Quick Attach, Loader	1776	Spare Wheels - Rear (M16)	1900
Tooth Guard Kit - With Decal Loader Bucket, 7-In-1	1778	Spare Wheels - Rear (M17)	1902
Tooth Guard Kit - With Decal Standard Loader Bucket	1780	Spare Wheels - Rear (M15)	1904
Transport Height Decal Kit	1782	Spare Wheels - Rear (M16)	1906
Position Indicator - Loader Arm	1784	Spare Wheels - Rear (M17)	1908
Headlamp Extension	1786	Spare Wheels - Rear (M26a)	1910
Digger Stabilisers - Safety Kit	1788	Spare Wheels - Rear (M26a)	1912
Transport Lock - Loader	1790	Stepguards	1914
Decals - Craning Valve Kit	1792	Bucket Pins Kit Case Bucket	1916
Seat Belt Kit	1794	Street Pads Kit Sideshift Digger	1918
Fan Guard Without Air Conditioning	1796	Service Kit - Tier 3 Engine Upgrade	1920
Fan Guard With Air Conditioning	1798	Literature Spanish	1922
Reverse Alarm	1800	Literature Finnish	1924
Kit - Boom Guard	1802	Literature English	1926

Literature French	1928	Quick Attach, Digger - Sideshift Solenoid Valve	2038
Literature German	1930	Quick Attach, Digger - Sideshift Telescopic Dipper	2040
Literature Italian	1932	Quick Attach, Digger - Sideshift Telescopic Dipper - Boom 4.5m	2042
Literature Portuguese	1934	Quick Attach, Digger - Sideshift Solenoid Valve	2044
Literature Danish	1936	Quick Attach, Digger - Centremount Standard Dipper	2046
Literature Dutch	1938	Quick Attach, Digger - Centremount Standard Dipper	2048
Literature North America	1944	Quick Attach, Digger - Centremount Solenoid Valve	2050
Literature Greek	1946	Quick Attach, Digger - Centremount Standard Dipper	2052
Literature Bulgarian	1948	Quick Attach, Digger - Centremount Standard Dipper	2054
Literature Romanian	1950	Quick Attach, Digger - Centremount Solenoid Valve	2056
Literature Croatian	1952	Quick Attach, Digger - Centremount Telescopic Dipper	2058
Literature Czech	1954	Quick Attach, Digger - Centremount Telescopic Dipper	2060
Literature Estonian	1956	Quick Attach, Digger - Centremount Solenoid Valve	2062
Literature Hungarian	1958	Quick Attach, Digger - Centremount Telescopic Dipper	2064
Literature Latvian	1960	Quick Attach, Digger - Centremount Telescopic Dipper	2066
Literature Lithuanian	1962	Quick Attach, Digger - Centremount Solenoid Valve	2068
Literature Polish	1964	Quick Attach, Digger - Abiljo	2070
Literature Slovakian	1966	Not Serviced	2072
Literature Slovenian	1968	Quick Attach, Digger - Sideshift Standard Dipper	2074
Literature Russian	1970	Quick Attach, Digger - Sideshift Solenoid Valve	2076
Literature Turkish	1972	Quick Attach, Digger - Sideshift Standard Dipper	2078
Quick Attach, Digger - Sideshift Standard Dipper	1974	Quick Attach, Digger - Sideshift Quick Coupler	2080
Quick Attach, Digger - Sideshift Standard Dipper	1976	Quick Attach, Digger - Sideshift Telescopic Dipper	2082
Quick Attach, Digger - Sideshift Solenoid Valve	1978	Quick Attach, Digger - Sideshift Telescopic Dipper	2084
Quick Attach, Digger - Sideshift Quick Coupler	1980	Quick Attach, Digger - Sideshift Solenoid Valve	2086
Quick Attach, Digger - Sideshift Standard Dipper	1982	Quick Attach, Digger - Sideshift Quick Coupler	2088
Quick Attach, Digger - Sideshift Standard Dipper	1984	Quick Attach, Digger - Centremount Standard Dipper - Boom 4.5m	2090
Quick Attach, Digger - Sideshift Solenoid Valve	1986	Quick Attach, Digger - Centremount Standard Dipper - Boom 4.5m	2092
Quick Attach, Digger - Sideshift Telescopic Dipper	1988	Quick Attach, Digger - Centremount Solenoid Valve	2094
Quick Attach, Digger - Sideshift Telescopic Dipper - Boom 4.5m	1990	Quick Attach, Digger - Centremount Quick Coupler	2096
Quick Attach, Digger - Sideshift Solenoid Valve	1992	Quick Attach, Digger - Centremount Standard Dipper - Boom 4.9m	2098
Quick Attach, Digger - Sideshift Quick Coupler	1994	Quick Attach, Digger - Centremount Standard Dipper - Boom 4.9m	2100
Quick Attach, Digger - Sideshift Telescopic Dipper	1996	Quick Attach, Digger - Centremount Solenoid Valve	2102
Quick Attach, Digger - Sideshift Telescopic Dipper - Boom 4.5m	1998	Quick Attach, Digger - Centremount Quick Coupler	2104
Quick Attach, Digger - Sideshift Solenoid Valve	2000	Quick Attach, Digger - Centremount Telescopic Dipper - Boom 4.5m	2106
Quick Attach, Digger - Centremount Standard Dipper - Boom 4.5m	2002	Quick Attach, Digger - Centremount Telescopic Dipper - Boom 4.5m	2108
Quick Attach, Digger - Centremount Standard Dipper - Boom 4.5m	2004	Quick Attach, Digger - Centremount Solenoid Valve	2110
Quick Attach, Digger - Centremount Solenoid Valve	2006	Quick Attach, Digger - Centremount Quick Coupler	2112
Quick Attach, Digger - Centremount Quick Coupler	2008	Quick Attach, Digger - Centremount Telescopic Dipper - Boom 4.9m	2114
Quick Attach, Digger - Centremount Standard Dipper - Boom 4.9m	2010	Quick Attach, Digger - Centremount Telescopic Dipper - Boom 4.9m	2116
Quick Attach, Digger - Centremount Standard Dipper - Boom 4.9m	2012	Quick Attach, Digger - Centremount Solenoid Valve	2118
Quick Attach, Digger - Centremount Solenoid Valve	2014	Quick Attach, Digger - Centremount Quick Coupler	2120
Quick Attach, Digger - Centremount Quick Coupler	2016	Quick Attach, Digger - Sideshift Standard Dipper - Less Q/A	2122
Quick Attach, Digger - Centremount Telescopic Dipper - Boom 4.5m	2018	Quick Attach, Digger - Sideshift Standard Dipper - Less Q/A	2124
Quick Attach, Digger - Centremount Telescopic Dipper - Boom 4.5m	2020	Quick Attach, Digger - Sideshift Solenoid Valve	2126
Quick Attach, Digger - Centremount Solenoid Valve	2022	Quick Attach, Digger - Sideshift Telescopic Dipper - Less Q/A	2128
Quick Attach, Digger - Centremount Quick Coupler	2024	Quick Attach, Digger - Sideshift Telescopic Dipper - Less Q/A	2130
Quick Attach, Digger - Centremount Telescopic Dipper - Boom 4.9m	2026	Quick Attach, Digger - Sideshift Solenoid Valve	2132
Quick Attach, Digger - Centremount Telescopic Dipper - Boom 4.9m	2028	Quick Attach, Digger - Centremount Standard Dipper - Boom 4.5m - Less Q/A	2134
Quick Attach, Digger - Centremount Solenoid Valve	2030	Quick Attach, Digger - Centremount Standard Dipper - Boom 4.5m - Less Q/A	2136
Quick Attach, Digger - Centremount Quick Coupler	2032	Quick Attach, Digger - Centremount Solenoid Valve	2138
Quick Attach, Digger - Sideshift Standard Dipper	2034	Quick Attach, Digger - Centremount Standard Dipper - Boom 4.9m - Less Q/A	2140
Quick Attach, Digger - Sideshift Standard Dipper	2036	Quick Attach, Digger - Centremount Standard Dipper - Boom 4.9m - Less Q/A	2142

Quick Attach, Digger - Centremount Solenoid Valve	2144
Quick Attach, Digger - Centremount Telescopic Dipper - Boom 4.5m - Less Q/A	2146
Quick Attach, Digger - Centremount Telescopic Dipper - Boom 4.5m - Less Q/A	2148
Quick Attach, Digger - Centremount Solenoid Valve	2150
Quick Attach, Digger - Centremount Telescopic Dipper - Boom 4.9m - Less Q/A	2152
Quick Attach, Digger - Centremount Telescopic Dipper - Boom 4.9m - Less Q/A	2154
Quick Attach, Digger - Centremount Solenoid Valve	2156
Quick Attach - Miller Mechanical	2158

THIS PAGE INTENTIONALLY LEFT BLANK

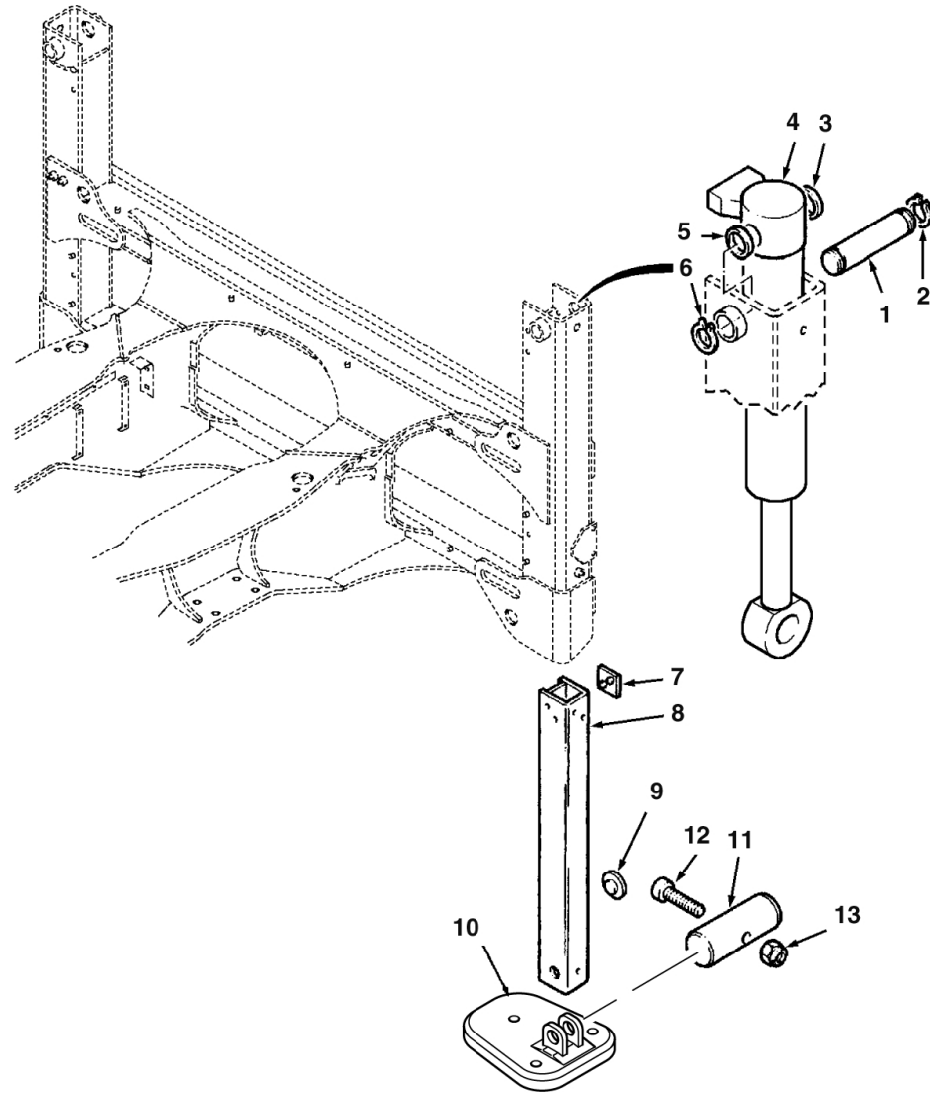
C-10012-01.1-B



Item	Part No.	Qty.	English	French	German	Spanish	Remarks
1	6112383M91	1	Chassis Complete 4ws Ss	Chassis	Fahrgestell	Chasis	
2	#CHASSIS	1	Chassis	Chassis	Chassis	Chassis	Ref. 1
3	1470375M1	6	Threaded Mount Plate	Support De Fixation	Befestigung	Soporte De Fijación	

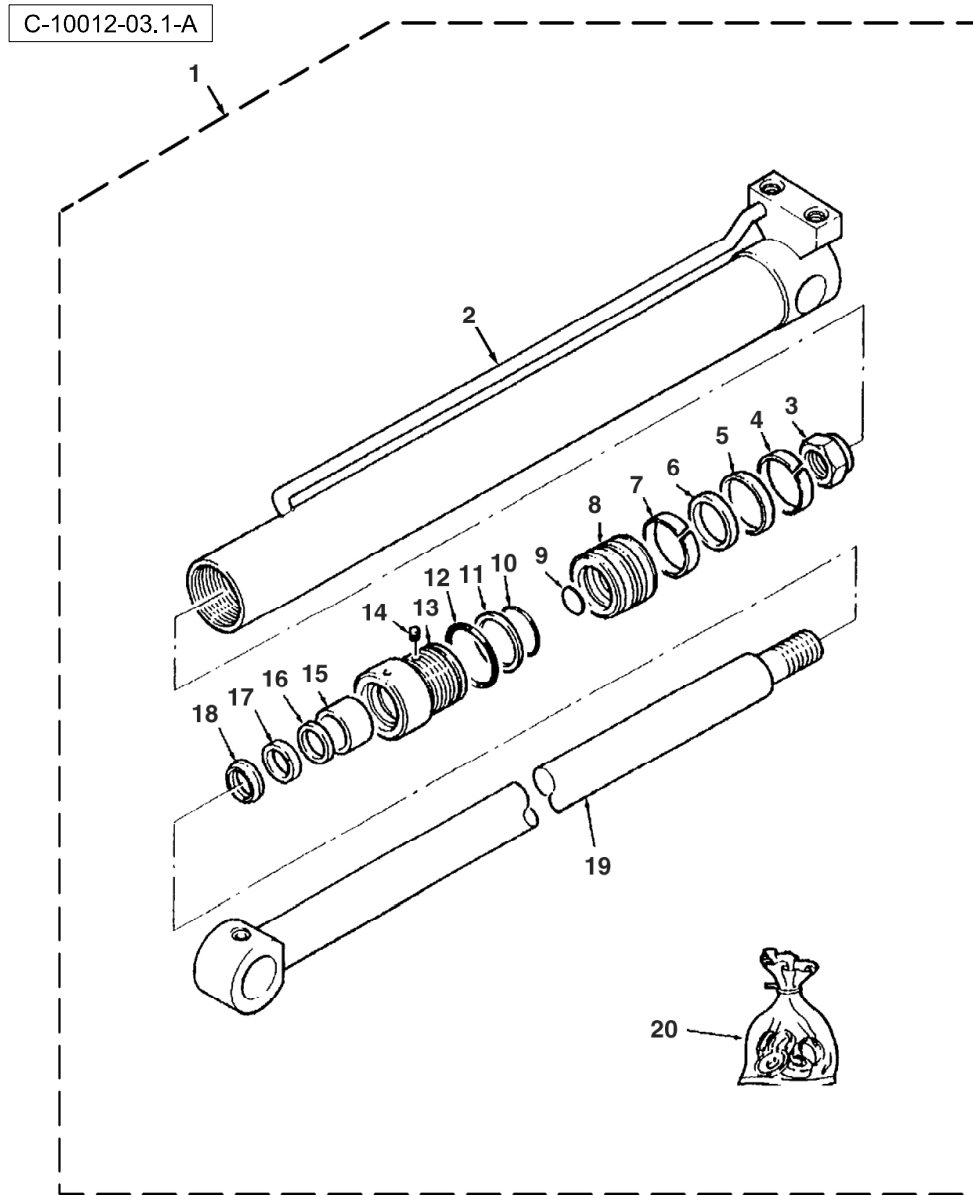


C-10012-02.1-A



Item	Part No.	Qty.	English	French	German	Spanish	Remarks
1	3521289M3	2	Pin Stabiliser Cyl.	Axe	Bolzen	Pasador	
2	1440478X1	2	Circlip 45mm	Segment D´Arrêt	Sicherungsring	Anillo De Resorte	
3	3521279M2	2	Spacer	Entretoise	Distanzstück	Traviesa	
4	#CYLINDER ASSY	2	Cylinder Assy	Cylinder Assy	Cylinder Assy	Cylinder Assy	10012c03.1 1 10012c03.2 1
5	3521279M2	2	Spacer	Entretoise	Distanzstück	Traviesa	
6	1440478X1	2	Circlip 45mm	Segment D´Arrêt	Sicherungsring	Anillo De Resorte	
7	6108417M1	0	Wear Pad-Sq're Green 3.60/3.40	Patin D¿Usure	Verschleißkissen	Patín De Desgaste	
7	3517077M1	0	Pad Sq Grey 5.5/5.25	Patin D¿Usure	Verschleißkissen	Patín De Desgaste	
7	6108416M1	0	Wear Pad-Sq're Blue 4.00/3.80	Patin D¿Usure	Verschleißkissen	Patín De Desgaste	
7	3518936M1	0	Pad Wear Red 6.5/6.25	Patin D¿Usure	Verschleißkissen	Patín De Desgaste	
7	3521199M3	0	Pad Square Blac 5.0/4.75	Patin D¿Usure	Verschleißkissen	Patín De Desgaste	
7	3518965M1	0	Wear Pad Natural-6.0mm	Patin D¿Usure	Verschleißkissen	Patín De Desgaste	
7	3516684M2	0	Pad Square Yell 4.5/4.25	Patin D¿Usure	Verschleißkissen	Patín De Desgaste	
8	6108420M91	2	Stabiliser Leg Assy Inner S/S	Tige	Schaft	Varilla	
9	6108419M1	0	Wear Pad-Round Green 3.60/3.40	Patin D¿Usure	Verschleißkissen	Patín De Desgaste	
9	6108418M1	0	Wear Pad-Round Blue 4.00/3.80	Patin D¿Usure	Verschleißkissen	Patín De Desgaste	
9	3519716M1	0	Pad Round Red 6.5/6.25	Patin D¿Usure	Verschleißkissen	Patín De Desgaste	
9	3519715M1	0	Pad Round Natl 6.0/5.75	Patin D¿Usure	Verschleißkissen	Patín De Desgaste	
9	3519714M1	0	Pad Round Grey 5.5/5.25	Patin D¿Usure	Verschleißkissen	Patín De Desgaste	
9	3519713M1	0	Pad Round Blac 5.0/4.75	Patin D¿Usure	Verschleißkissen	Patín De Desgaste	
9	3519712M1	0	Pad Round Yell 4.5/4.25	Patin D¿Usure	Verschleißkissen	Patín De Desgaste	
10	6102864M1	2	Foot Stabiliser S/S	Pied	Fuß	Pie	Feb 2008
10	6112386M1	2	Stabiliser Foot - Sideshift	Pied	Fuß	Pie	Feb 2008
11	3522879M2	2	Pin Stabiliser Foot S/S	Axe	Bolzen	Pasador	
12	1442169X1	2	Cap Screw Soc.Hd.M10 X 90	Vis A Tete Six Pans	Zylinderschraube	Tornillo	
13	1440329X1	2	Nut, Hex. - Nyloc, M10	Ecrou Blocage	Flachmutter M10	Tuerca De Retención	

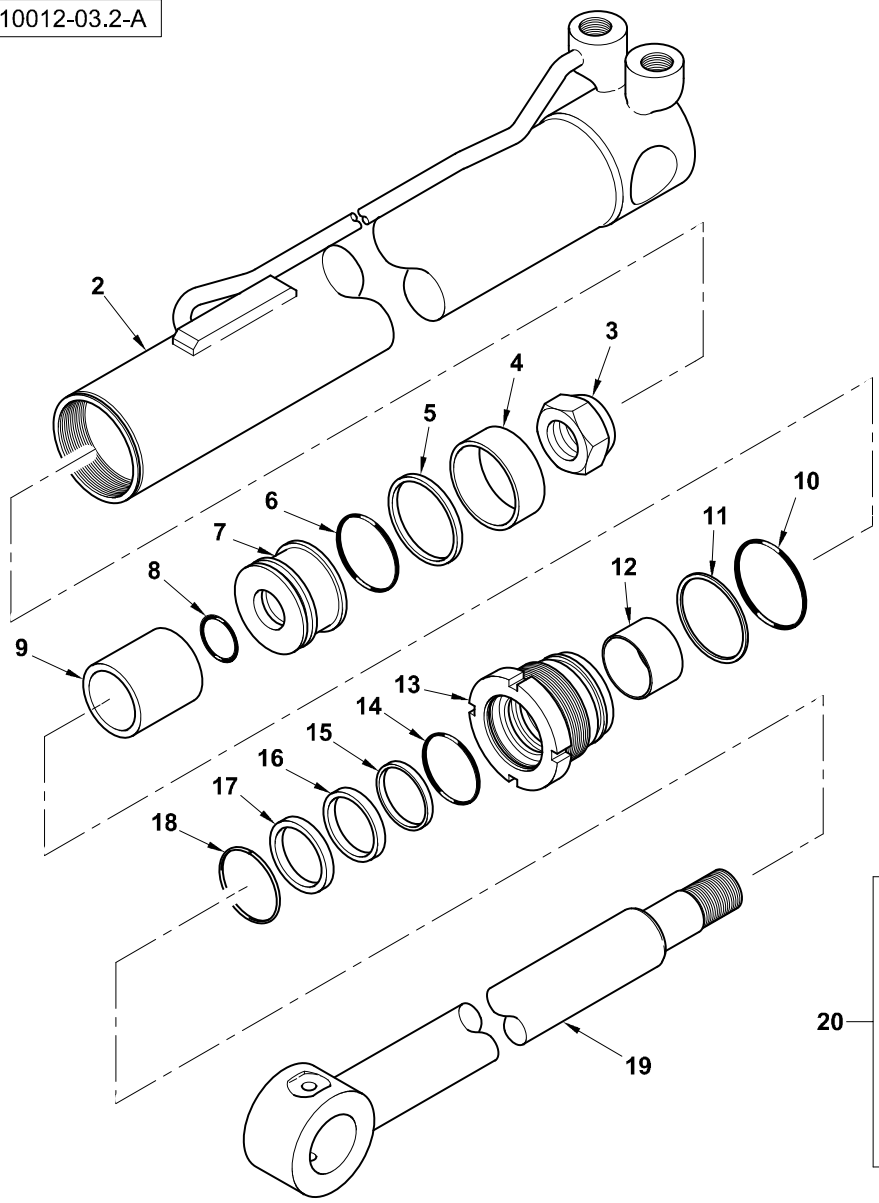




Item	Part No.	Qty.	English	French	German	Spanish	Remarks
1	3622129M94GY02	2	Cylinder Stab Ss Only (Benford Grey)	L´Hie Hydraulique	Zylinder Hydr.	Gato, Conj.	Tba [10012c02.1 4]
2	3623297M92	1	Barrel Assy	Cylindre De Vérin	Zylinderrohr	Cilindro De Gato	
3	1607690M1	1	Lock Nut M30	Ecrou Frein	Kontermutter	Tuerca	
4	3487067M1	1	Piston Guide Ring 70*10*2	Bague D'Étanchéité	Dichtungsring	Anillo, Estanqueidad	
5	3485241M1	1	Wear Ring Piston	Anneau	Ring	Aro	
6	3485254M1	1	Ring Pressure	Anneau	Ring	Aro	
7	3487067M1	1	Piston Guide Ring 70*10*2	Bague D'Étanchéité	Dichtungsring	Anillo, Estanqueidad	
8	3623299M1	1	Piston	Piston	Kolben	Pistón De Gato	
9	359181X1	1	O-Ring (44.04 Mm Nominal I/D) Shore A90	Joint Torique	O - Ring	Junta De Tipo O	
10	359187X1	1	O-Ring-63,09*3,53	Joint Torique	O Ring	Junta De Tipo O	
11	1884170M1	1	Backring-64.06*3*02	Contre-Joint	Stützring	ContraJunta	
12	3487205M1	1	O Ring, Hydr. Cylinder	Joint Torique	O Ring	Junta De Tipo O	
13	3623298M1	1	Bearing Cylinder	Roulement	Lager	Palier De Gato	
14	3443386M1	1	Retaining Plug	Bouchon	Stopfen	Tapón	
15	3491486M1	1	Bush, Piston Rod/Gland	Douille	Büchse	Anillo	
16	3443341M1	1	Ring Buffer	Bague D'Étanchéité	Dichtungsring	Anillo, Estanqueidad	
17	1606464M1	1	Seal	Joint D´Arbre	Wellendichtring	Junta	
18	1606575M1	1	Wiper Ring	Anneau	Ring	Junta Raspador	
19	3441606M91	1	Piston Rod Assy	Tige De Vérin	Kolbenstange	Vástago Cilindro	
20	3623300M91	1	Kit Seal	Jeu Étanchéité	Dichtringsatz	Juego De Juntas	



C-10012-03.2-A



- 4
- 5
- 6
- 8
- 10
- 11
- 14
- 15
- 16
- 17