

SPARES
BACKHOE LOADER
860SX

Publication No. August 2010

Contents

Chassis - Sideshift Short	12
Digger Stabilisers - Sideshift Mechanical Installation	14
Digger Stabilisers - Sideshift Stabilizer Cylinder	16
Digger Stabilisers - Sideshift Stabilizer Cylinder	18
Chassis - Centremount Short	20
Chassis - Sideshift Short	22
Digger Stabilisers - Sideshift Mechanical Installation	24
Digger Stabilisers - Sideshift Stabilizer Cylinder	26
Digger Stabilisers - Sideshift Stabilizer Cylinder	28
Chassis - Centremount Short	30
Engine Cover Yellow	32
Engine Cover White	36
Front Axle - Installation 4 Wheel Drive/2 Wheel Steer	40
Front Axle - Installation 4 Wheel Drive/2 Wheel Steer	42
Front Axle - Installation	44
Front Axle - Installation 4 Wheel Drive/2 Wheel Steer	46
Front Axle - Installation 4 Wheel Drive/2 Wheel Steer	48
Front Axle - Installation 4 Wheel Drive/2 Wheel Steer	50
Front Axle - Installation 4 Wheel Drive/2 Wheel Steer	52
Front Axle - Installation 4 Wheel Drive/2 Wheel Steer	54
Steering System 2 Wheel Steer	56
Front Wheels	58
Rear Wheels	60
Front Wheels	62
Rear Wheels	64
Rear Wheels	66
Front Wheels	68
Front Wheels	70
Rear Wheels	72
Front Wheels	74
Rear Wheels	76
Front Wheels	78
Rear Wheels	80
Hardnose And Grille	82
Engine - Engine Installation Rg38099	84
Engine - Cylinder Block Rg38099	86
Engine - Pistons And Crankshaft Rg38099	88
Engine - Cylinder Head Rg38099	92
Engine - Rockers Rg38099	94
Engine - Camshaft Rg38099	96
Engine - Lubricating Oil Filler And Breather Rg38099	98
Engine - Turbocharger Connections Rg38099	102
Engine - Exhaust Manifold Rg38099	104
Engine - Thermostat And Water Filter Rg38099	106
Engine - Water Pump Rg38099	108
Engine - Crankshaft Pulley Rg38099	110
Engine - Flywheel Rg38099	112
Engine - Flywheel Housing Rg38099	114
Engine - Oil Pan Rg38099	116
Engine - Lubricating Oil Filter And Integral Oil Cooler Rg38099	118
Engine - Oil Pump Rg38099	120
Engine - Fuel System Rg38099	122

Engine - Fuel Lift Pump Rg38099	126	Engine - Fuel System Tier 3	240
Engine - Filter With Fuel Separator Up To Serial Number Tba	128	Engine - Fuel Lift Pump Tier 3	244
Engine - Filter With Fuel Separator From Serial Number Tba	130	Engine - Fuel Pipes Tier 3	246
Engine - Alternator And Mounting Rg38099	132	Engine - Filter With Fuel Separator Tier 3	248
Engine - Glow Plugs Rg38099	134	Engine - Alternator And Mounting Tier 3	250
Engine - Engine Lifting Rg38099	136	Engine - Fan Drive Tier 3	252
Engine - Plug And Blank-Off Plug Rg38099	138	Engine - Glow Plugs Tier 3	254
Engine - Joints And Gaskets Rg38099	140	Engine - Starter Motor Tier 3	256
Engine - Joints And Gaskets Rg38099	142	Engine - Plugs And Mounts Tier 3	258
Engine - Engine Installation Rg38044	144	Engine - Cylinder Head Auxiliaries Tier 3	260
Engine - Cylinder Block Rg38044	146	Fuel System Tier 3	262
Engine - Pistons And Crankshaft Rg38044	148	Fuel System - Fuel Tank Tier 3	264
Engine - Cylinder Head Rg38044	152	Exhaust System From Serial Number H200 7 1093	266
Engine - Rockers Rg38044	154	Induction System - Air Filtration	268
Engine - Camshaft Rg38044	156	Induction System - Air Filter	270
Engine - Lubricating Oil Filler And Breather Rg38044	158	Induction System - Air Filtration With Pre Cleaner	272
Engine - Turbocharger Connections Rg38044	162	Induction System - Air Filter	274
Engine - Exhaust Manifold Rg38044	164	Cooling System ROPS	276
Engine - Thermostat And Water Filter Rg38044	166	Cooling System - Radiator Assembly ROPS	278
Engine - Water Pump Rg38044	168	Cooling System Without Air Conditioning	280
Engine - Crankshaft Pulley Rg38044	170	Cooling System - Radiator Assembly Without Air Conditioning	284
Engine - Flywheel Rg38044	172	Cooling System With Air Conditioning	286
Engine - Flywheel Housing Rg38044	174	Cooling System - Radiator Assembly With Air Conditioning	290
Engine - Oil Pan Rg38044	176	Cooling System ROPS	292
Engine - Lubricating Oil Filter And Integral Oil Cooler Rg38044	178	Cooling System - Radiator Assembly ROPS	296
Engine - Oil Pump Rg38044	180	Cooling System Without Air Conditioning	298
Engine - Fuel System Rg38044	182	Cooling System - Radiator Assembly Without Air Conditioning	302
Engine - Fuel Lift Pump Rg38044	186	Cooling System With Air Conditioning	304
Engine - Filter With Fuel Separator Up To Serial Number Tba	188	Cooling System - Radiator Assembly With Air Conditioning	308
Engine - Filter With Fuel Separator From Serial Number Tba	190	Torque Converter	310
Engine - Alternator And Mounting Rg38044	192	Drive Line Bolting	312
Engine - Glow Plugs Rg38044	194	Drive Line Bolting	316
Engine - Engine Lifting Rg38044	196	Transmission - Drive Shaft 4 Wheel Drive	320
Engine - Plug And Blank-Off Plug Rg38044	198	Transmission - Oil Filler 4 Wheel Drive	322
Engine - Joints And Gaskets Rg38044	200	Transmission - Oil Filler 4 Wheel Drive	324
Engine - Joints And Gaskets Rg38044	202	Transmission - Oil Filter 4 Wheel Drive	326
Engine - Engine Installation Tier 3	204	Transmission - Charging Pump 4 Wheel Drive	328
Engine - Cylinder Block Tier 3	206	Transmission - Oil Strainer 4 Wheel Drive	330
Engine - Pistons And Crankshaft Tier 3	208	Transmission - Housing 4 Wheel Drive	332
Engine - Cylinder Head Tier 3	210	Transmission - Input Shaft 4 Wheel Drive	336
Engine - Rockers And Camshaft Tier 3	212	Transmission - Reverse / First Shaft 4 Wheel Drive	340
Engine - Timing Case Tier 3	214	Transmission - Second Shaft 4 Wheel Drive	342
Engine - Lubricating Oil Filler And Breather Tier 3	216	Transmission - 4 Wheel Drive Shaft 4 Wheel Drive	346
Engine - Turbocharger Connections Tier 3	220	Transmission - Fork And Gearshift Rails 4 Wheel Drive	348
Engine - Exhaust Manifold Tier 3	222	Transmission - Control Valve 4 Wheel Drive	350
Engine - Thermostat And Water Pipes Tier 3	224	Transmission - Control Valve 4 Wheel Drive	354
Engine - Water Pump Tier 3	226	Transmission - Solenoid Valve 4 Wheel Drive	358
Engine - Crankshaft Pulley Tier 3	228	Consumable	360
Engine - Flywheel Tier 3	230	Consumables	362
Engine - Flywheel Housing Tier 3	232	Consumable	366
Engine - Oil Pan Tier 3	234	Consumable	368
Engine - Oil Filter And Integral Oil Cooler Tier 3	236	Consumable	370
Engine - Oil Pump Tier 3	238	Consumable	372

Consumable	374	Hydraulic Valve - Backhoe Control Centre Mounted Digger Installation	530
Consumable	376	Torque Converter - Hydraulic Lines	532
Consumable	378	Main Hydraulics - Hydraulic Lines Synchro Shuttle	534
Consumable	380	Main Hydraulics - Hydraulic Lines Synchro Shuttle	538
Consumable	382	Main Hydraulics - Oil Filter Synchro Shuttle	542
Consumable	384	Main Hydraulics - Solenoid Valve Synchro Shuttle	544
Gear Change - Control Lever 4 Speed	386	Hydraulic Reservoir Synchro Shuttle	546
Gear Change - Control Lever 3 Speed	388	Main Hydraulics - Tandem Pump Synchro Shuttle	548
Rear Axle 2 Wheel Steer	390	Control Box - Installation From Serial Number Tba	550
Rear Axle 2 Wheel Steer	392	Control Box Control Pedals	552
Rear Axle 2 Wheel Steer	394	Control Box Hydraulics	556
Rear Axle 2 Wheel Steer	396	Control Box Brake Cylinder	558
Rear Axle 2 Wheel Steer	398	Control Box Steering	560
Rear Axle 2 Wheel Steer	400	Throttle Controls	562
Rear Axle 2 Wheel Steer	402	Throttle Controls Lever, Control	564
Rear Axle 2 Wheel Steer	404	Tool Kit - Wheel Brace + Grease Gun	566
Rear Axle 2 Wheel Steer	406	Service Brake - Brake Circuit From Serial Number Tba	568
Rear Axle - Brake Caliper	408	Service Brake - Brake Circuit From Serial Number Tba	570
Hydraulic Valve - Backhoe Control Sideshift Digger Installation	410	Differential Lock Synchro Shuttle	572
Hydraulic Valve - Backhoe Control Inlet	412	Parking Brake	574
Hydraulic Valve - Backhoe Control Slew	416	Parking Brake 4 Post ROPS	576
Hydraulic Valve - Backhoe Control Boom	422	Cab - 4 Post ROPS	578
Hydraulic Valve - Backhoe Control Dipper	428	Cab - Rear Worklight	580
Hydraulic Valve - Backhoe Control Bucket	434	Cab - Relay Bracket	582
Hydraulic Valve - Backhoe Control Stabilizer	440	Cab - Frame	584
Hydraulic Valve - Backhoe Control Auxiliary	444	Cab - Door	588
Hydraulic Valve - Backhoe Control Outlet	450	Cab - Rear Window	594
Hydraulic Valve - Backhoe Control Centre Mounted Digger Installation	452	Cab - Outer Roof	598
Hydraulic Valve - Backhoe Control Inlet	454	Cab - Front Worklight	602
Hydraulic Valve - Backhoe Control Slew	458	Cab - Rear Worklight	604
Hydraulic Valve - Backhoe Control Boom	464	Cab - Inner Roof	606
Hydraulic Valve - Backhoe Control Dipper	470	Cab - Frame	608
Hydraulic Valve - Backhoe Control Bucket	476	Cab - Door	612
Hydraulic Valve - Backhoe Control Stabilizer	482	Cab - Rear Window	618
Hydraulic Valve - Backhoe Control Auxiliary	486	Cab - Outer Roof	622
Hydraulic Valve - Backhoe Control Outlet	492	Cab - Inner Roof	626
Hydraulic Valve - Backhoe Control Sideshift Digger Installation	494	Cab Trim - Windscreen Wiper	628
Hydraulic Valve - Backhoe Control Sideshift Digger Installation	498	Cab - Front Worklight	630
Hydraulic Valve - Backhoe Control Sideshift Digger Installation	500	Cab - Rear Worklight	632
Hydraulic Valve - Backhoe Control Sideshift Digger Installation	502	Cab Trim - Heater	634
Hydraulic Valve - Backhoe Control Sideshift Digger Installation	504	Cab Trim - Console	636
Hydraulic Valve - Backhoe Control Sideshift Digger Installation	506	Cab Trim - Console RH	638
Hydraulic Valve - Backhoe Control Sideshift Digger Installation	508	Cab Side Console - Fuse & Relay Board	640
Hydraulic Valve - Backhoe Control Sideshift Digger Installation	510	Cab Trim - Cab Mounting	644
Hydraulic Valve - Backhoe Control Sideshift Digger Installation	512	Cab Trim - Floorplate Cab	646
Hydraulic Valve - Backhoe Control Centre Mounted Digger Installation	514	Cab Trim - Console	648
Hydraulic Valve - Backhoe Control Centre Mounted Digger Installation	516	Cab Trim - Windscreen Wiper	650
Hydraulic Valve - Backhoe Control Centre Mounted Digger Installation	518	Cab Trim - Cab Mounting 4 Post ROPS	652
Hydraulic Valve - Backhoe Control Centre Mounted Digger Installation	520	Cab Trim - Floorplate 4 Post ROPS	654
Hydraulic Valve - Backhoe Control Centre Mounted Digger Installation	522	Cab Trim - Cab Mounting	656
Hydraulic Valve - Backhoe Control Centre Mounted Digger Installation	524	Cab Trim - Floorplate & Digger Tower	658
Hydraulic Valve - Backhoe Control Centre Mounted Digger Installation	526	Cab Trim - Mats	660
Hydraulic Valve - Backhoe Control Centre Mounted Digger Installation	528	Cab Trim - Mats	662

Not Serviced	664	Side Console - Instrument Panel Switchpack	784
Cab Environment - Heater Installation Front	666	Chassis Electrics Synchro Shuttle - Carraro	786
Cab Environment - Heater Installation Rear	670	Battery - Single From Serial Number H200 4 2919	790
Cab Environment - Heater Unit	672	Battery - Dual From Serial Number H200 4 2919	792
Cab Environment - Air Conditioning Installation	674	Battery - Single Tier 3	794
Cab Environment - Heater Installation Front	678	Battery - Dual Tier 3	796
Cab Environment - Air Conditioning Installation Rear	682	Rear Lighting - Sideshift	798
Cab Environment - Air Conditioning Unit	684	Rear Lighting - Centremount	800
Cab Environment - Less Heater Unit ROPS	688	Rear Lighting - ROPS	802
Front Console - Installation ROPS	690	Rear Lighting - ROPS 4 Post ROPS	804
Front Console ROPS	692	Front Lighting - Headlights Left Hand Dip	806
Front Console - Instrument Panel ROPS	694	Front Lighting - Headlights Right Hand Dip	808
Front Console - Forward/Reverse Switch ROPS	696	Mirrors - Cab	810
Front Console - Installation ROPS	698	Mirrors - ROPS 4 Post ROPS	812
Front Console ROPS	700	Seat - Seat Installation Fabric Trim - Cab Machines	814
Front Console - Instrument Panel ROPS	702	Seat - Fabric Trim Cab	816
Front Console - Forward/Reverse Switch ROPS	704	Seat - Seat Installation Air Suspension	818
Front Console - Installation Cab	706	Seat - Fabric Trim Air Suspension	820
Front Console Cab	708	Seat - Seat Installation Weatherproof P.V.C. Trim	822
Front Console - Instrument Panel Cab	710	Seat - Weatherproof P.V.C. Trim 4 Post ROPS	824
Front Console - Forward/Reverse Switch Cab	712	Seat - Weatherproof P.V.C. Trim Air Suspension	826
Front Console - Installation Cab	714	Seat - Seat Installation Air Suspension	828
Front Console Cab	716	Front Fenders 2 Wheel Steer	834
Front Console - Instrument Panel Cab	718	Ride Control - Hydraulic Circuit English	836
Front Console - Forward/Reverse Switch Cab	720	Ride Control - Hydraulic Circuit English	838
Front Console - Installation ROPS	722	Ride Control - Hydraulic Circuit Less Ride Control	840
Front Console ROPS	724	Ride Control - Hydraulic Circuit French	842
Front Console - Instrument Panel ROPS	726	Ride Control - Hydraulic Circuit French	844
Front Console - Forward/Reverse Switch ROPS	728	Ride Control - Hydraulic Circuit German	846
Front Console - Installation ROPS	730	Ride Control - Hydraulic Circuit German	848
Front Console ROPS	732	Ride Control - Hydraulic Circuit Italian	850
Front Console - Instrument Panel ROPS	734	Ride Control - Hydraulic Circuit Italian	852
Front Console - Forward/Reverse Switch ROPS	736	Ride Control - Hydraulic Circuit Spanish	854
Front Console - Installation Cab	738	Ride Control - Hydraulic Circuit Spanish	856
Front Console Cab	740	Ride Control - Hydraulic Circuit Dutch	858
Front Console - Instrument Panel Cab	742	Ride Control - Hydraulic Circuit Dutch	860
Front Console - Forward/Reverse Switch Cab	744	Ride Control - Hydraulic Circuit Danish	862
Front Console - Installation Cab	746	Ride Control - Hydraulic Circuit Danish	864
Front Console Cab	748	Ride Control - Hydraulic Circuit	866
Front Console - Instrument Panel Cab	750	Ride Control - Hydraulic Circuit Solenoid Valve	868
Front Console - Forward/Reverse Switch Cab	752	Ride Control - Hydraulic Circuit	870
Side Console Switchpack	754	Ride Control - Hydraulic Circuit Solenoid Valve	872
Side Console - Instrument Panel Switchpack	758	Ride Control - Hydraulic Circuit ROPS	874
Side Console - Fuse & Relay Board	760	Ride Control - Hydraulic Circuit Solenoid Valve	876
Side Console Switchpack	762	Ride Control - Hydraulic Circuit ROPS	878
Side Console - Instrument Panel Switchpack	766	Ride Control - Hydraulic Circuit Solenoid Valve	880
Side Console - Fuse & Relay Board	768	Loader - Arms Yellow	882
Side Console 4 Post ROPS	770	Loader - Links Yellow	886
Side Console - Instrument Panel Rocker Switch	774	Loader - Return To Dig Mechanical	888
Side Console - Fuse & Relay Board	776	Loader - Return To Dig Mechanical	892
Side Console Switchpack	778	Loader - Safety Strut	896
Side Console - Instrument Panel Switchpack	780	Loader - Arms White	898
Side Console Switchpack	782	Loader - Links White	902

Loader - Return To Dig Mechanical	904	Loader Controls Lower Control Levers	1042
Loader - Return To Dig Mechanical	908	Loader Controls Control Valve	1046
Loader - Safety Strut	912	Loader Controls - Hydraulic Valve Inlet	1048
Loader Bucket - Standard For Use With Forks	914	Loader Controls - Hydraulic Valve Loader Arm Section	1050
Loader Bucket - Standard For Use With Forks	916	Loader Controls - Hydraulic Valve Standard Bucket Section	1052
Loader Bucket - 7 In 1	918	Loader Controls - Hydraulic Valve Standard Bucket Section	1054
Loader Bucket - 7 In 1 Bucket Pipework	920	Loader Controls - Hydraulic Valve Standard Bucket Section	1056
Loader Bucket - 7 In 1 Cylinder	922	Loader Controls Upper Control Levers	1058
Loader Bucket - 7 In 1	924	Loader Controls Lower Control Levers	1062
Loader Bucket - 7 In 1 Bucket Pipework	926	Loader Controls Control Valve	1066
Loader Bucket - 7 In 1 Cylinder	928	Loader Controls - Hydraulic Valve Inlet	1068
Loader Bucket Less Bucket	930	Loader Controls - Hydraulic Valve Loader Arm Section	1070
Loader Hydraulics - Lift Cylinder High Specification	932	Loader Controls - Hydraulic Valve Standard Bucket Section	1072
Loader Hydraulics - Lift Cylinder High Specification Pacoma	936	Loader Controls - Hydraulic Valve Standard Bucket Section	1074
Loader Hydraulics - Lift Cylinder High Specification Wipro	938	Loader Controls - Hydraulic Valve Standard Bucket Section	1076
Loader Hydraulics - Bucket Cylinder High Specification	940	Loader Controls Upper Control Levers	1078
Loader Hydraulics - Bucket Cylinder High Specification Pacoma	944	Loader Controls Lower Control Levers	1080
Loader Hydraulics - Bucket Cylinder High Specification Wipro	946	Loader Controls Control Valve	1084
Loader Hydraulics - Lift Cylinder High Specification	948	Loader Controls - Hydraulic Valve Inlet	1086
Loader Hydraulics - Lift Cylinder High Specification Pacoma	952	Loader Controls - Hydraulic Valve Loader Arm Section	1088
Loader Hydraulics - Lift Cylinder High Specification Wipro	954	Loader Controls - Hydraulic Valve Standard Bucket Section	1090
Loader Hydraulics - Bucket Cylinder High Specification	956	Loader Controls - Hydraulic Valve Standard Bucket Section	1092
Loader Hydraulics - Bucket Cylinder High Specification Pacoma	960	Loader Controls - Hydraulic Valve Standard Bucket Section	1094
Loader Hydraulics - Bucket Cylinder High Specification Wipro	962	Loader Controls Upper Control Levers	1096
Loader Hydraulics - Lift Cylinder High Specification	964	Loader Controls Lower Control Levers	1098
Loader Hydraulics - Lift Cylinder High Specification Pacoma	968	Loader Controls Control Valve	1102
Loader Hydraulics - Lift Cylinder High Specification Wipro	970	Loader Controls - Hydraulic Valve Inlet	1104
Loader Hydraulics - Bucket Cylinder Standard Specification	972	Loader Controls - Hydraulic Valve Loader Arm Section	1106
Loader Hydraulics - Bucket Cylinder High Specification Pacoma	974	Loader Controls - Hydraulic Valve Standard Bucket Section	1108
Loader Hydraulics - Bucket Cylinder High Specification Wipro	976	Loader Controls - Hydraulic Valve Standard Bucket Section	1110
Loader Hydraulics - Lift Cylinder High Specification	978	Loader Controls - Hydraulic Valve Standard Bucket Section	1112
Loader Hydraulics - Lift Cylinder High Specification Pacoma	982	Loader Controls - Upper Control Levers 7 In 1 Bucket	1114
Loader Hydraulics - Lift Cylinder High Specification Wipro	984	Loader Controls - Lower Control Levers 7 In 1 Bucket	1118
Loader Hydraulics - Bucket Cylinder High Specification	986	Loader Controls - Control Valve 7 In 1 Bucket	1122
Loader Hydraulics - Bucket Cylinder High Specification Pacoma	990	Loader Controls - Hydraulic Valve Inlet	1124
Loader Hydraulics - Bucket Cylinder High Specification Wipro	992	Loader Controls - Hydraulic Valve Loader Arm Section	1126
Loader Hydraulics - Lift Cylinder High Specification	994	Loader Controls - Hydraulic Valve Standard Bucket Section	1132
Loader Hydraulics - Lift Cylinder High Specification Pacoma	998	Loader Controls - Hydraulic Valve Bucket Section, 7 In-1	1138
Loader Hydraulics - Lift Cylinder High Specification Wipro	1000	Loader Controls - Hydraulic Valve Outlet	1144
Loader Hydraulics - Bucket Cylinder High Specification	1002	Loader Controls - Upper Control Levers	1146
Loader Hydraulics - Bucket Cylinder High Specification Pacoma	1006	Loader Controls - Lower Control Levers	1148
Loader Hydraulics - Bucket Cylinder High Specification Wipro	1008	Loader Controls - Control Valve	1152
Loader Hydraulics - Lift Cylinder High Specification	1010	Loader Controls - Hydraulic Valve Inlet	1154
Loader Hydraulics - Lift Cylinder High Specification Pacoma	1014	Loader Controls - Hydraulic Valve Loader Arm Section	1156
Loader Hydraulics - Lift Cylinder High Specification Wipro	1016	Loader Controls - Hydraulic Valve Standard Bucket Section	1162
Loader Hydraulics - Bucket Cylinder High Specification	1018	Loader Controls - Hydraulic Valve Bucket Section, 7 In-1	1168
Loader Hydraulics - Bucket Cylinder High Specification Pacoma	1022	Loader Controls - Hydraulic Valve Outlet	1174
Loader Hydraulics - Bucket Cylinder High Specification Wipro	1024	Loader Controls Upper Control Levers	1176
Hose Burst Kit Loader Arm Cylinder	1026	Loader Controls Lower Control Levers	1178
Hose Burst Kit Loader Bucket Cylinder	1030	Loader Controls Control Valve	1182
Hose Burst Kit Boom Cylinder	1034	Loader Controls - Hydraulic Valve Inlet	1184
Hose Burst Kit Dipper Cylinder	1036	Loader Controls - Hydraulic Valve Loader Arm Section	1186
Loader Controls Upper Control Levers	1038	Loader Controls - Hydraulic Valve Standard Bucket Section	1188

Loader Controls - Hydraulic Valve Standard Bucket Section	1190	Dipper - Extendahoe Case Bucket	1324
Loader Controls - Hydraulic Valve Standard Bucket Section	1192	Dipper - Extendahoe Cylinder	1330
Loader Controls Upper Control Levers	1194	Dipper - Standard Jcb Bucket	1332
Loader Controls Lower Control Levers	1198	Dipper - Standard Jcb Bucket	1334
Loader Controls Control Valve	1202	Dipper - Extendahoe Jcb Bucket	1336
Loader Controls - Hydraulic Valve Inlet	1204	Dipper - Extendahoe Cylinder	1342
Loader Controls - Hydraulic Valve Loader Arm Section	1206	Dipper - Extendahoe Jcb Bucket	1344
Loader Controls - Hydraulic Valve Standard Bucket Section	1208	Dipper - Extendahoe Cylinder	1350
Loader Controls - Hydraulic Valve Standard Bucket Section	1210	Digger Bucket Linkage	1352
Loader Controls - Hydraulic Valve Standard Bucket Section	1212	Digger Bucket Linkage	1354
Loader Controls Upper Control Levers	1214	Digger Bucket Linkage - Jcb Buckets	1356
Loader Controls Lower Control Levers	1216	Digger Bucket Linkage - Jcb Buckets	1358
Loader Controls Control Valve	1220	Digger Bucket Linkage - Case Buckets	1360
Loader Controls - Hydraulic Valve Inlet	1222	Digger Bucket Linkage - Case Buckets	1362
Loader Controls - Hydraulic Valve Loader Arm Section	1224	Digger Hydraulics - Sideshift Bucket	1364
Loader Controls - Hydraulic Valve Standard Bucket Section	1226	Digger Hydraulics - Sideshift Bucket Cylinder - Pacoma	1368
Loader Controls - Hydraulic Valve Standard Bucket Section	1228	Digger Hydraulics - Sideshift Bucket Cylinder - Wipro	1370
Loader Controls - Hydraulic Valve Standard Bucket Section	1230	Digger Hydraulics - Sideshift Standard Dipper	1372
Loader Controls Upper Control Levers	1232	Digger Hydraulics - Sideshift Dipper Cylinder - Pacoma	1374
Loader Controls Lower Control Levers	1236	Digger Hydraulics - Sideshift Dipper Cylinder - Wipro	1376
Loader Controls Control Valve	1240	Digger Hydraulics - Sideshift Boom	1378
Loader Controls - Hydraulic Valve Inlet	1242	Digger Hydraulics - Sideshift Boom Cylinder Pacoma	1380
Loader Controls - Hydraulic Valve Loader Arm Section	1244	Digger Hydraulics - Sideshift Boom Cylinder Wipro	1382
Loader Controls - Hydraulic Valve Standard Bucket Section	1246	Digger Hydraulics - Sideshift Swing Components	1384
Loader Controls - Hydraulic Valve Standard Bucket Section	1248	Digger Hydraulics - Sideshift Clamp	1386
Loader Controls - Hydraulic Valve Standard Bucket Section	1250	Digger Hydraulics - Sideshift Attachment	1388
Boom Transport Lock Sideshift Digger	1256	Digger Hydraulics - Sideshift Attachment	1392
Boom Transport Lock Centre Mounted Digger	1258	Digger Hydraulics - Sideshift Bucket	1396
Digger Stabilisers - Sideshift Hydraulic Installation	1260	Digger Hydraulics - Sideshift Bucket Cylinder - Pacoma	1400
Digger Stabilisers - Sideshift Mechanical Installation	1262	Digger Hydraulics - Sideshift Bucket Cylinder - Wipro	1402
Digger Stabilisers - Sideshift Hydraulic Installation	1264	Digger Hydraulics - Sideshift Telescopic Dipper	1404
Digger Stabilisers - Sideshift Stabilizer Cylinder	1266	Digger Hydraulics - Sideshift Dipper Cylinder - Pacoma	1406
Digger Stabilisers - Sideshift Stabilizer Cylinder	1268	Digger Hydraulics - Sideshift Dipper Cylinder - Wipro	1408
Digger Stabilisers - Sideshift Lock-Out Valve	1270	Digger Hydraulics - Sideshift Boom	1410
Digger Swing Pivot - Sideshift	1272	Digger Hydraulics - Sideshift Boom Cylinder Pacoma	1412
Digger Swing Pivot - Sideshift Swing Cylinder Pacoma	1276	Digger Hydraulics - Sideshift Boom Cylinder Wipro	1414
Digger Swing Pivot - Sideshift Swing Cylinder Wipro	1278	Digger Hydraulics - Sideshift Swing Components	1416
Digger Swing Pivot - Centremount	1280	Digger Hydraulics - Sideshift Clamp	1418
Digger Swing Pivot - Centremount Swing Cylinder Pacoma	1282	Digger Hydraulics - Sideshift Attachment	1420
Digger Swing Pivot - Centremount Swing Cylinder Wipro	1284	Digger Hydraulics - Sideshift Attachment	1424
Boom	1286	Digger Hydraulics - Sideshift Bucket	1428
Boom	1288	Digger Hydraulics - Sideshift Bucket Cylinder - Pacoma	1432
Not Serviced	1290	Digger Hydraulics - Sideshift Bucket Cylinder - Wipro	1434
Dipper - Standard	1292	Digger Hydraulics - Sideshift Standard Dipper	1436
Dipper - Standard	1294	Digger Hydraulics - Sideshift Dipper Cylinder - Pacoma	1438
Dipper - Extendahoe	1296	Digger Hydraulics - Sideshift Dipper Cylinder - Wipro	1440
Dipper - Extendahoe Cylinder	1302	Digger Hydraulics - Sideshift Boom	1442
Dipper - Extendahoe	1304	Digger Hydraulics - Sideshift Boom Cylinder Pacoma	1444
Dipper - Extendahoe Cylinder	1310	Digger Hydraulics - Sideshift Boom Cylinder Wipro	1446
Dipper - Standard Case Bucket	1312	Digger Hydraulics - Sideshift Swing Components	1448
Dipper - Standard Case Bucket	1314	Digger Hydraulics - Sideshift Clamp	1450
Dipper - Extendahoe Case Bucket	1316	Digger Hydraulics - Sideshift Attachment	1452
Dipper - Extendahoe Cylinder	1322	Digger Hydraulics - Sideshift Attachment	1456

Digger Hydraulics - Sideshift Bucket	1460	Digger Hydraulics - Centremount Bucket	1580
Digger Hydraulics - Sideshift Bucket Cylinder - Pacoma	1464	Digger Hydraulics - Centremount Bucket Cylinder - Pacoma	1584
Digger Hydraulics - Sideshift Bucket Cylinder - Wipro	1466	Digger Hydraulics - Sideshift Bucket Cylinder - Wipro	1586
Digger Hydraulics - Sideshift Telescopic Dipper	1468	Digger Hydraulics - Centremount Standard Dipper	1588
Digger Hydraulics - Sideshift Dipper Cylinder - Pacoma	1470	Digger Hydraulics - Centremount Dipper Cylinder - Pacoma	1590
Digger Hydraulics - Sideshift Dipper Cylinder - Wipro	1472	Digger Hydraulics - Sideshift Dipper Cylinder - Wipro	1592
Digger Hydraulics - Sideshift Boom	1474	Digger Hydraulics - Centremount Boom 4.5m	1594
Digger Hydraulics - Sideshift Boom Cylinder - Pacoma	1476	Digger Hydraulics - Centremount Boom Cylinder - Pacoma	1596
Digger Hydraulics - Sideshift Boom Cylinder - Wipro	1478	Digger Hydraulics - Centremount Boom Cylinder - Wipro	1598
Digger Hydraulics - Sideshift Swing Components	1480	Digger Hydraulics - Centremount Swing Components	1600
Digger Hydraulics - Sideshift Clamp	1482	Digger Hydraulics - Centremount Bucket	1602
Digger Hydraulics - Sideshift Attachment	1484	Digger Hydraulics - Centremount Bucket Cylinder - Pacoma	1606
Digger Hydraulics - Sideshift Attachment	1488	Digger Hydraulics - Sideshift Bucket Cylinder - Wipro	1608
Digger Hydraulics - Centremount Bucket	1492	Digger Hydraulics - Centremount Telescopic Dipper	1610
Digger Hydraulics - Centremount Bucket Cylinder - Pacoma	1496	Digger Hydraulics - Centremount Dipper Cylinder - Pacoma	1612
Digger Hydraulics - Sideshift Bucket Cylinder - Wipro	1498	Digger Hydraulics - Sideshift Dipper Cylinder - Wipro	1614
Digger Hydraulics - Centremount Standard Dipper	1500	Digger Hydraulics - Centremount Boom 4.5m	1616
Digger Hydraulics - Centremount Dipper Cylinder - Pacoma	1502	Digger Hydraulics - Centremount Boom Cylinder - Pacoma	1618
Digger Hydraulics - Sideshift Dipper Cylinder - Wipro	1504	Digger Hydraulics - Centremount Boom Cylinder - Wipro	1620
Digger Hydraulics - Centremount Boom 4.5m	1506	Digger Hydraulics - Centremount Swing Components	1622
Digger Hydraulics - Centremount Boom Cylinder - Pacoma	1508	Digger Hydraulics - Centremount Bucket	1624
Digger Hydraulics - Centremount Boom Cylinder - Wipro	1510	Digger Hydraulics - Centremount Bucket Cylinder - Pacoma	1628
Digger Hydraulics - Centremount Swing Components	1512	Digger Hydraulics - Sideshift Bucket Cylinder - Wipro	1630
Digger Hydraulics - Centremount Bucket	1514	Digger Hydraulics - Centremount Standard Dipper	1632
Digger Hydraulics - Centremount Bucket Cylinder - Pacoma	1518	Digger Hydraulics - Centremount Dipper Cylinder - Pacoma	1634
Digger Hydraulics - Sideshift Bucket Cylinder - Wipro	1520	Digger Hydraulics - Sideshift Dipper Cylinder - Wipro	1636
Digger Hydraulics - Centremount Telescopic Dipper	1522	Digger Hydraulics - Centremount Boom	1638
Digger Hydraulics - Centremount Dipper Cylinder - Pacoma	1524	Digger Hydraulics - Centremount Boom Cylinder - Pacoma	1640
Digger Hydraulics - Sideshift Dipper Cylinder - Wipro	1526	Digger Hydraulics - Centremount Boom Cylinder - Wipro	1642
Digger Hydraulics - Centremount Boom 4.5m	1528	Digger Hydraulics - Centremount Swing Components	1644
Digger Hydraulics - Centremount Boom Cylinder - Pacoma	1530	Digger Hydraulics - Centremount Bucket	1646
Digger Hydraulics - Centremount Boom Cylinder - Wipro	1532	Digger Hydraulics - Centremount Bucket Cylinder - Pacoma	1650
Digger Hydraulics - Centremount Swing Components	1534	Digger Hydraulics - Sideshift Bucket Cylinder - Wipro	1652
Digger Hydraulics - Centremount Bucket	1536	Digger Hydraulics - Centremount Telescopic Dipper	1654
Digger Hydraulics - Centremount Bucket Cylinder - Pacoma	1540	Digger Hydraulics - Centremount Dipper Cylinder - Pacoma	1656
Digger Hydraulics - Sideshift Bucket Cylinder - Wipro	1542	Digger Hydraulics - Sideshift Dipper Cylinder - Wipro	1658
Digger Hydraulics - Centremount Standard Dipper	1544	Digger Hydraulics - Centremount Boom	1660
Digger Hydraulics - Centremount Dipper Cylinder - Pacoma	1546	Digger Hydraulics - Centremount Boom Cylinder - Pacoma	1662
Digger Hydraulics - Sideshift Dipper Cylinder - Wipro	1548	Digger Hydraulics - Centremount Boom Cylinder - Wipro	1664
Digger Hydraulics - Centremount Boom	1550	Digger Hydraulics - Centremount Swing Components	1666
Digger Hydraulics - Centremount Boom Cylinder - Pacoma	1552	Digger Controls Standard	1668
Digger Hydraulics - Centremount Boom Cylinder - Wipro	1554	Digger Controls ISO	1670
Digger Hydraulics - Centremount Swing Components	1556	Digger Controls X Pattern	1674
Digger Hydraulics - Centremount Bucket	1558	Digger Controls ISO / Sae	1676
Digger Hydraulics - Centremount Bucket Cylinder - Pacoma	1562	Extendahoe Hydraulics - Sideshift Without Auxiliary Hydraulics	1680
Digger Hydraulics - Sideshift Bucket Cylinder - Wipro	1564	Extendahoe Hydraulics - Sideshift Control Pedal	1682
Digger Hydraulics - Centremount Telescopic Dipper	1566	Extendahoe Hydraulics - Sideshift With Auxiliary Hydraulics	1684
Digger Hydraulics - Centremount Dipper Cylinder - Pacoma	1568	Extendahoe Hydraulics - Sideshift Control Pedal	1686
Digger Hydraulics - Sideshift Dipper Cylinder - Wipro	1570	Extendahoe Hydraulics - Centremount Without Auxiliary Hydraulics	1688
Digger Hydraulics - Centremount Boom	1572	Extendahoe Hydraulics - Centremount Control Pedal	1690
Digger Hydraulics - Centremount Boom Cylinder - Pacoma	1574	Extendahoe Hydraulics - Centremount Without Auxiliary Hydraulics	1692
Digger Hydraulics - Centremount Boom Cylinder - Wipro	1576	Extendahoe Hydraulics - Centremount Control Pedal	1694
Digger Hydraulics - Centremount Swing Components	1578	Extendahoe Hydraulics - Centremount With Auxiliary Hydraulics	1696

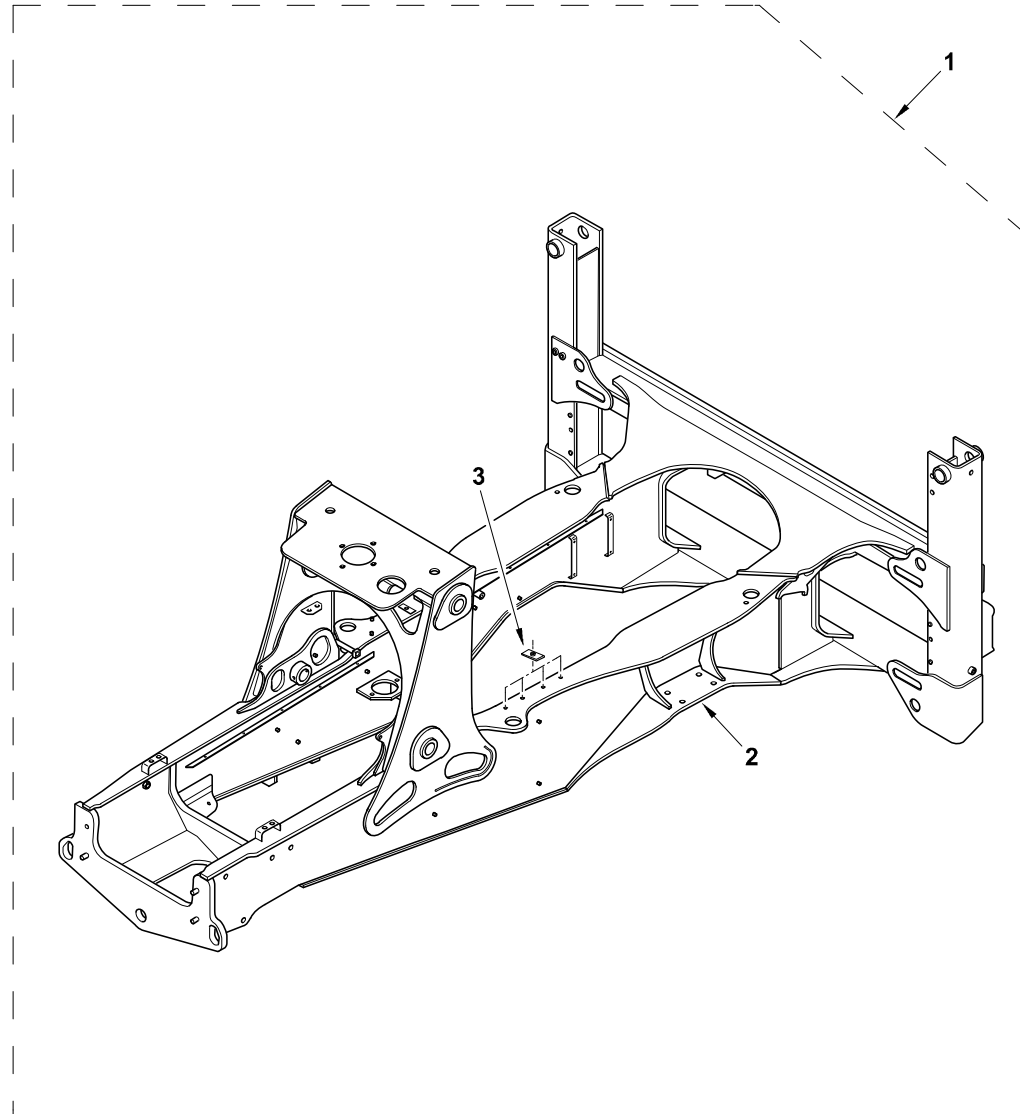
Extendahoe Hydraulics - Centremount Control Pedal	1698	Digger Bucket - Jcb	1826
Extendahoe Hydraulics - Centremount With Auxiliary Hydraulics	1700	Digger Bucket - Jcb	1828
Extendahoe Hydraulics - Centremount Control Pedal	1702	Digger Bucket - Ditch Maintenance Jcb Bucket	1830
Extendahoe Hydraulics Less Control Pedal	1704	Digger Bucket - Ditch Maintenance Jcb Bucket	1832
Extendahoe Hydraulics Control Pedal	1706	Not Serviced	1834
Not Serviced	1708	Rear Fenders 2 Wheel Steer	1836
Stabiliser Controls - Sideshift Digger	1710	Rear Fenders - Sideshift Mudguard	1838
Stabiliser Controls - Sideshift Digger	1714	Rear Fenders 2 Wheel Steer	1840
Stabiliser Controls - Centremount Digger	1716	Rear Fenders 2 Wheel Steer	1842
Stabiliser Controls - Centremount Digger	1720	Rear Fenders 2 Wheel Steer	1844
Stabiliser Controls - Centremount Digger 4 Post ROPS	1722	Rear Fenders - Sideshift Mudguard	1846
Auxiliary Hydraulics - Sideshift Telescopic Dipper	1724	Rear Fenders 4 Post ROPS	1848
Auxiliary Hydraulics - Sideshift Telescopic Dipper	1728	Rear Fenders 4 Post ROPS	1850
Auxiliary Hydraulics - Sideshift Standard Dipper	1734	Rear Fenders 2 Wheel Steer	1854
Auxiliary Hydraulics - Sideshift Standard Dipper	1738	Decals - Warnings General Markets	1856
Auxiliary Hydraulics - Sideshift Control Pedal	1742	Decals - Instructions General Markets	1858
Auxiliary Hydraulics - Centremount Telescopic Dipper - Boom 4.5m	1744	Decals - Miscellaneous General Markets	1860
Auxiliary Hydraulics - Centremount Telescopic Dipper - Boom 4.5m	1746	Decals - Warnings French	1862
Auxiliary Hydraulics - Centremount Telescopic Dipper - Boom 4.9m	1750	Decals - Instructions French	1864
Auxiliary Hydraulics - Centremount Telescopic Dipper - Boom 4.9m	1752	Decals - Miscellaneous French	1866
Auxiliary Hydraulics - Centremount Telescopic Dipper - Boom 4.5m	1756	Decals - Warnings German	1868
Auxiliary Hydraulics - Centremount Telescopic Dipper - Boom 4.5m	1758	Decals - Instructions German	1870
Auxiliary Hydraulics - Centremount Telescopic Dipper - Boom 4.9m	1762	Decals - Miscellaneous German	1872
Auxiliary Hydraulics - Centremount Telescopic Dipper - Boom 4.9m	1764	Decals - Warnings Italian	1874
Auxiliary Hydraulics - Centremount Standard Dipper	1768	Decals - Instructions Italian	1876
Auxiliary Hydraulics - Centremount Standard Dipper	1770	Decals - Miscellaneous Italian	1878
Auxiliary Hydraulics - Centremount Control Pedal	1772	Decals - Warnings	1880
Auxiliary Hydraulics - Centremount Standard Dipper	1774	Decals - Instructions	1882
Auxiliary Hydraulics - Centremount Standard Dipper	1776	Decals - Miscellaneous	1884
Auxiliary Hydraulics - Centremount Control Pedal	1778	Decals - Warnings General Markets	1886
Not Serviced	1780	Decals - Instructions General Markets	1888
Digger Bucket - Standard	1782	Decals - Miscellaneous General Markets	1890
Digger Bucket - Standard	1784	Decals - Warnings Austria	1892
Digger Bucket - Standard	1786	Decals - Instructions Austria	1894
Digger Bucket - Standard	1788	Decals - Miscellaneous Austria	1896
Digger Bucket - Standard 305 Mm	1790	Decals - Warnings	1898
Digger Bucket - Ditch Cleaning	1792	Decals - Instructions	1900
Digger Bucket - Ditch Cleaning	1794	Decals - Miscellaneous	1902
Digger Bucket - Gannon 12 In	1796	Decals - Warnings	1904
Digger Bucket - Gannon 18 In	1798	Decals - Instructions	1906
Digger Bucket - Gannon 24 In	1800	Decals - Miscellaneous	1908
Not Serviced	1802	Decals - Warnings	1910
Digger Bucket - Premium	1804	Decals - Instructions	1912
Digger Bucket - Premium	1806	Decals - Miscellaneous	1914
Digger Bucket - Premium	1808	Decals - Warnings	1916
Digger Bucket - Premium	1810	Decals - Instructions	1918
Digger Bucket - Premium	1812	Decals - Miscellaneous	1920
Digger Bucket - Ditch Maintenance	1814	Decals - Warnings North America	1922
Digger Bucket - Ditch Maintenance	1816	Decals - Instructions North America	1924
Digger Bucket - Ditch Digging	1818	Decals - Miscellaneous North America	1926
Digger Bucket - Jcb	1820	Decals - Warnings General Markets	1928
Digger Bucket - Jcb	1822	Decals - Instructions General Markets	1930
Digger Bucket - Jcb	1824	Decals - Miscellaneous General Markets	1932

Decals - Warnings General Markets	1934	Fuel Strainer Kit	2044
Decals - Instructions General Markets	1936	Not Serviced	2046
Decals - Miscellaneous General Markets	1938	Anti Vandal Kit	2048
Decals - Warnings Costa Rica	1940	Street Pads Kit Sideshift Digger	2050
Decals - Instructions Costa Rica	1942	Service Tool Kit	2052
Decals - Miscellaneous Costa Rica	1944	Rotating Beacon Kit Single	2054
Decals - Warnings Costa Rica	1946	Rotating Beacon Kit Double	2056
Decals - Instructions Costa Rica	1948	Worklight Kit	2058
Decals - Miscellaneous Costa Rica	1950	Seat Armrest Kit	2060
Decals - Warnings	1952	Kit - Headrest	2062
Decals - Instructions	1954	Steering Wheel Spinner Knob Kit	2064
Decals - Miscellaneous	1956	Bucket Blade Kit Narrow	2066
Decals - Warnings	1958	Bucket Blade Kit Wide	2068
Decals - Instructions	1960	Bucket Tooth Kit Loader Bucket, 7-In-1	2070
Decals - Miscellaneous	1962	Hose Burst Kit - Quick Attach Boom Cylinder	2072
Decals - Warnings	1964	Hose Burst Kit - Quick Attach Boom Cylinder	2076
Decals - Instructions	1966	Hose Bust Kit - Less Quick Attach Boom Cylinder	2080
Decals - Miscellaneous	1968	Hose Bust Kit - Less Quick Attach Boom Cylinder	2084
Kit - Forks Loader Bucket	1970	Hose Bust Kit - Less Quick Attach Boom Cylinder	2088
Kit - Forks Loader Bucket	1972	Hose Burst Kit - Quick Attach Boom Cylinder	2090
Kit - Loader Quick Attach Pins	1974	Hose Burst Kit - Quick Attach Boom Cylinder	2094
Kit - Loader Quick Attach Tubes	1976	Hose Bust Kit - Less Quick Attach Boom Cylinder	2098
Kit - Loader Quick Attach	1978	Hose Bust Kit - Less Quick Attach Boom Cylinder	2102
Quick Attach, Loader	1980	Hose Bust Kit - Less Quick Attach Boom Cylinder	2106
Tooth Guard Kit - With Decal Loader Bucket, 7-In-1	1982	Literature Operator Manual - English	2108
Tooth Guard Kit - With Decal Loader Bucket, 7-In-1	1984	Literature Operator Manual - Spanish	2110
Tooth Guard Kit - With Decal Standard Loader Bucket	1986	Literature Operator Manual - French	2112
Tooth Guard Kit - With Decal Standard Loader Bucket	1988	Literature Operator Manual - German	2114
Transport Height Decal Kit	1990	Literature Operator Manual - Danish	2116
Position Indicator - Loader Arm	1992	Rockguard Kit	2118
Headlamp Extension	1994	Spare Wheels - Rear (M07, M10 & M12)	2120
Digger Stabilisers - Safety Kit	1996	Spare Wheels - Rear (M05, M09, M14 & M21)	2122
Transport Lock - Loader	1998	Spare Wheels - Rear (M03 & M13)	2124
Decals - Craning Valve Kit	2000	Spare Wheels - Rear (M01 & M04)	2126
Seat Belt Kit	2002	Spare Wheels - Rear (M20)	2128
Fan Guard Without Air Conditioning	2004	Spare Wheels - Rear (M22)	2130
Fan Guard With Air Conditioning	2006	Spare Wheels - Rear (M07, M10 & M12)	2132
Reverse Alarm	2008	Spare Wheels - Rear (M05, M09, M14 & M21)	2134
Kit - Boom Guard	2010	Spare Wheels - Rear (M03 & M13)	2136
Bucket Pins Kit Single	2012	Spare Wheels - Rear (M01 & M04)	2138
Bucket Pins Kit Double	2014	Spare Wheels - Rear (M20)	2140
Jcb Bucket Pins Kit Single	2016	Spare Wheels - Rear (M22)	2142
Jcb Bucket Pins Kit Double	2018	Spare Wheels - Rear (M23a & M28a)	2144
Bucket Pins Kit Loader	2020	Spare Wheels - Rear (M23a & M28a)	2146
Not Serviced	2022	Spare Wheels - Rear (M24a)	2148
Not Serviced	2024	Spare Wheels - Rear (M24a)	2150
Digger Craning Eye Kit Sideshift Digger	2026	Spare Wheels - Rear (M25a & M29a)	2152
Digger Craning Eye Kit Centre Mounted Digger	2028	Spare Wheels - Rear (M25a & M29a)	2154
Digger Craning Eye Kit Sideshift Digger	2030	Stepguards	2156
Digger Craning Eye Kit Centre Mounted Digger	2032	Spare Wheel - Front - White	2158
Craning Valve Kit Cab	2034	Spare Wheel - Front - Yellow	2160
Craning Valve Kit 4 Post ROPS	2038	Spare Wheel - Front - White	2162
Front Counterweight Kit	2042	Spare Wheel - Front - Yellow	2164

Spare Wheel - Front - White	2166	Quick Attach, Digger - Abiljo	2276
Spare Wheel - Front - Yellow	2168	Not Serviced	2278
Bucket Pins Kit Case Bucket	2170	Quick Attach, Digger - Sideshift Standard Dipper	2280
Street Pads Kit Sideshift Digger	2172	Quick Attach, Digger - Sideshift Solenoid Valve	2282
Service Kit - Tier 3 Engine Upgrade	2174	Quick Attach, Digger - Sideshift Standard Dipper	2284
Quick Attach, Digger - Sideshift Standard Dipper	2180	Quick Attach, Digger - Sideshift Quick Coupler	2286
Quick Attach, Digger - Sideshift Standard Dipper	2182	Quick Attach, Digger - Sideshift Telescopic Dipper	2288
Quick Attach, Digger - Sideshift Solenoid Valve	2184	Quick Attach, Digger - Sideshift Telescopic Dipper	2290
Quick Attach, Digger - Sideshift Quick Coupler	2186	Quick Attach, Digger - Sideshift Solenoid Valve	2292
Quick Attach, Digger - Sideshift Standard Dipper	2188	Quick Attach, Digger - Sideshift Quick Coupler	2294
Quick Attach, Digger - Sideshift Standard Dipper	2190	Quick Attach, Digger - Centremount Standard Dipper - Boom 4.5m	2296
Quick Attach, Digger - Sideshift Solenoid Valve	2192	Quick Attach, Digger - Centremount Standard Dipper - Boom 4.5m	2298
Quick Attach, Digger - Sideshift Telescopic Dipper	2194	Quick Attach, Digger - Centremount Solenoid Valve	2300
Quick Attach, Digger - Sideshift Telescopic Dipper - Boom 4.5m	2196	Quick Attach, Digger - Centremount Quick Coupler	2302
Quick Attach, Digger - Sideshift Solenoid Valve	2198	Quick Attach, Digger - Centremount Standard Dipper - Boom 4.9m	2304
Quick Attach, Digger - Sideshift Quick Coupler	2200	Quick Attach, Digger - Centremount Standard Dipper - Boom 4.9m	2306
Quick Attach, Digger - Sideshift Telescopic Dipper	2202	Quick Attach, Digger - Centremount Solenoid Valve	2308
Quick Attach, Digger - Sideshift Telescopic Dipper - Boom 4.5m	2204	Quick Attach, Digger - Centremount Quick Coupler	2310
Quick Attach, Digger - Sideshift Solenoid Valve	2206	Quick Attach, Digger - Centremount Telescopic Dipper - Boom 4.5m	2312
Quick Attach, Digger - Centremount Standard Dipper - Boom 4.5m	2208	Quick Attach, Digger - Centremount Telescopic Dipper - Boom 4.5m	2314
Quick Attach, Digger - Centremount Standard Dipper - Boom 4.5m	2210	Quick Attach, Digger - Centremount Solenoid Valve	2316
Quick Attach, Digger - Centremount Solenoid Valve	2212	Quick Attach, Digger - Centremount Quick Coupler	2318
Quick Attach, Digger - Centremount Quick Coupler	2214	Quick Attach, Digger - Centremount Telescopic Dipper - Boom 4.9m	2320
Quick Attach, Digger - Centremount Standard Dipper - Boom 4.9m	2216	Quick Attach, Digger - Centremount Telescopic Dipper - Boom 4.9m	2322
Quick Attach, Digger - Centremount Standard Dipper - Boom 4.9m	2218	Quick Attach, Digger - Centremount Solenoid Valve	2324
Quick Attach, Digger - Centremount Solenoid Valve	2220	Quick Attach, Digger - Centremount Quick Coupler	2326
Quick Attach, Digger - Centremount Quick Coupler	2222	Quick Attach, Digger - Sideshift Standard Dipper - Less Q/A	2328
Quick Attach, Digger - Centremount Telescopic Dipper - Boom 4.5m	2224	Quick Attach, Digger - Sideshift Standard Dipper - Less Q/A	2330
Quick Attach, Digger - Centremount Telescopic Dipper - Boom 4.5m	2226	Quick Attach, Digger - Sideshift Solenoid Valve	2332
Quick Attach, Digger - Centremount Solenoid Valve	2228	Quick Attach, Digger - Sideshift Telescopic Dipper - Less Q/A	2334
Quick Attach, Digger - Centremount Quick Coupler	2230	Quick Attach, Digger - Sideshift Telescopic Dipper - Less Q/A	2336
Quick Attach, Digger - Centremount Telescopic Dipper - Boom 4.9m	2232	Quick Attach, Digger - Sideshift Solenoid Valve	2338
Quick Attach, Digger - Centremount Telescopic Dipper - Boom 4.9m	2234	Quick Attach, Digger - Centremount Standard Dipper - Boom 4.5m - Less Q/A	2340
Quick Attach, Digger - Centremount Solenoid Valve	2236	Quick Attach, Digger - Centremount Standard Dipper - Boom 4.5m - Less Q/A	2342
Quick Attach, Digger - Centremount Quick Coupler	2238	Quick Attach, Digger - Centremount Solenoid Valve	2344
Quick Attach, Digger - Sideshift Standard Dipper	2240	Quick Attach, Digger - Centremount Standard Dipper - Boom 4.9m - Less Q/A	2346
Quick Attach, Digger - Sideshift Standard Dipper	2242	Quick Attach, Digger - Centremount Standard Dipper - Boom 4.9m - Less Q/A	2348
Quick Attach, Digger - Sideshift Solenoid Valve	2244	Quick Attach, Digger - Centremount Solenoid Valve	2350
Quick Attach, Digger - Sideshift Telescopic Dipper	2246	Quick Attach, Digger - Centremount Telescopic Dipper - Boom 4.5m - Less Q/A	2352
Quick Attach, Digger - Sideshift Telescopic Dipper - Boom 4.5m	2248	Quick Attach, Digger - Centremount Telescopic Dipper - Boom 4.5m - Less Q/A	2354
Quick Attach, Digger - Sideshift Solenoid Valve	2250	Quick Attach, Digger - Centremount Solenoid Valve	2356
Quick Attach, Digger - Centremount Standard Dipper	2252	Quick Attach, Digger - Centremount Telescopic Dipper - Boom 4.9m - Less Q/A	2358
Quick Attach, Digger - Centremount Standard Dipper	2254	Quick Attach, Digger - Centremount Telescopic Dipper - Boom 4.9m - Less Q/A	2360
Quick Attach, Digger - Centremount Solenoid Valve	2256	Quick Attach, Digger - Centremount Solenoid Valve	2362
Quick Attach, Digger - Centremount Standard Dipper	2258	Quick Attach - Miller Mechanical	2364
Quick Attach, Digger - Centremount Standard Dipper	2260		
Quick Attach, Digger - Centremount Solenoid Valve	2262		
Quick Attach, Digger - Centremount Telescopic Dipper	2264		
Quick Attach, Digger - Centremount Telescopic Dipper	2266		
Quick Attach, Digger - Centremount Solenoid Valve	2268		
Quick Attach, Digger - Centremount Telescopic Dipper	2270		
Quick Attach, Digger - Centremount Telescopic Dipper	2272		
Quick Attach, Digger - Centremount Solenoid Valve	2274		

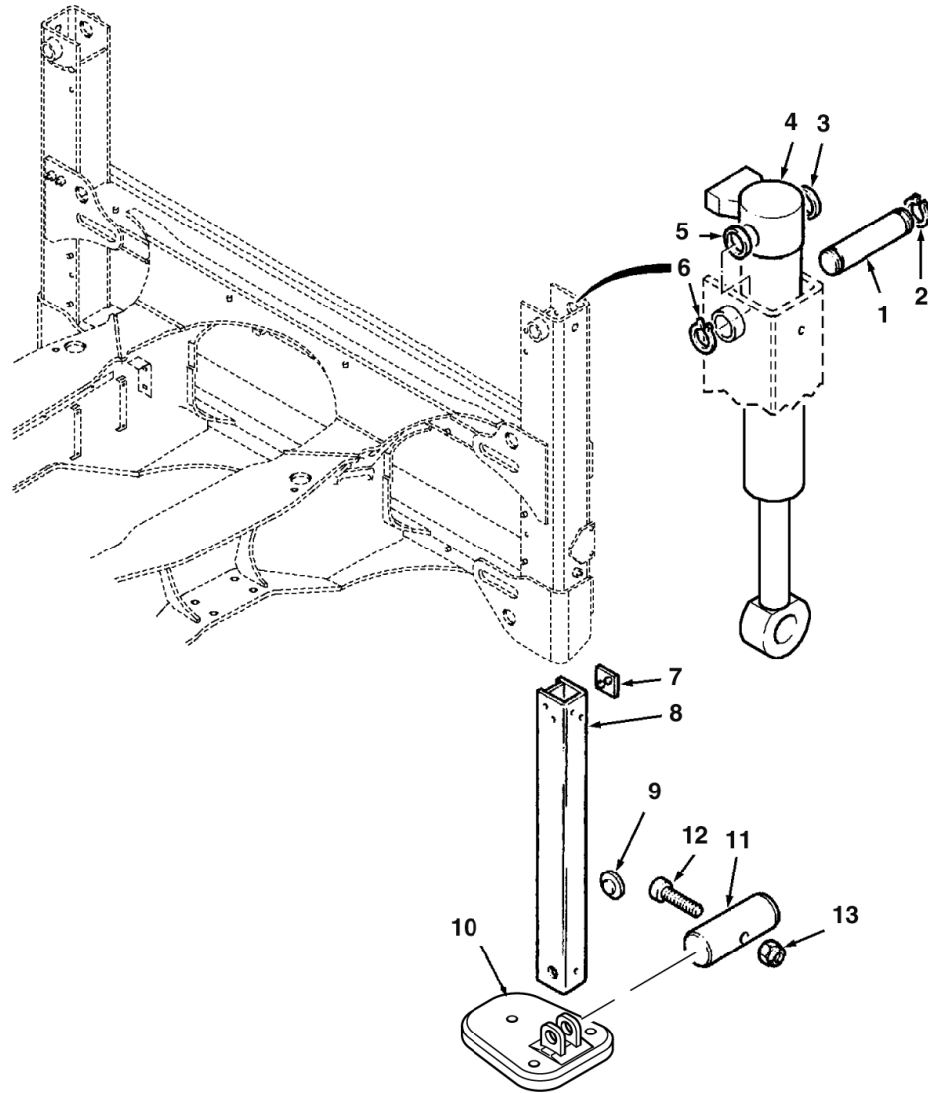
THIS PAGE INTENTIONALLY LEFT BLANK

C-10010-01.1-B



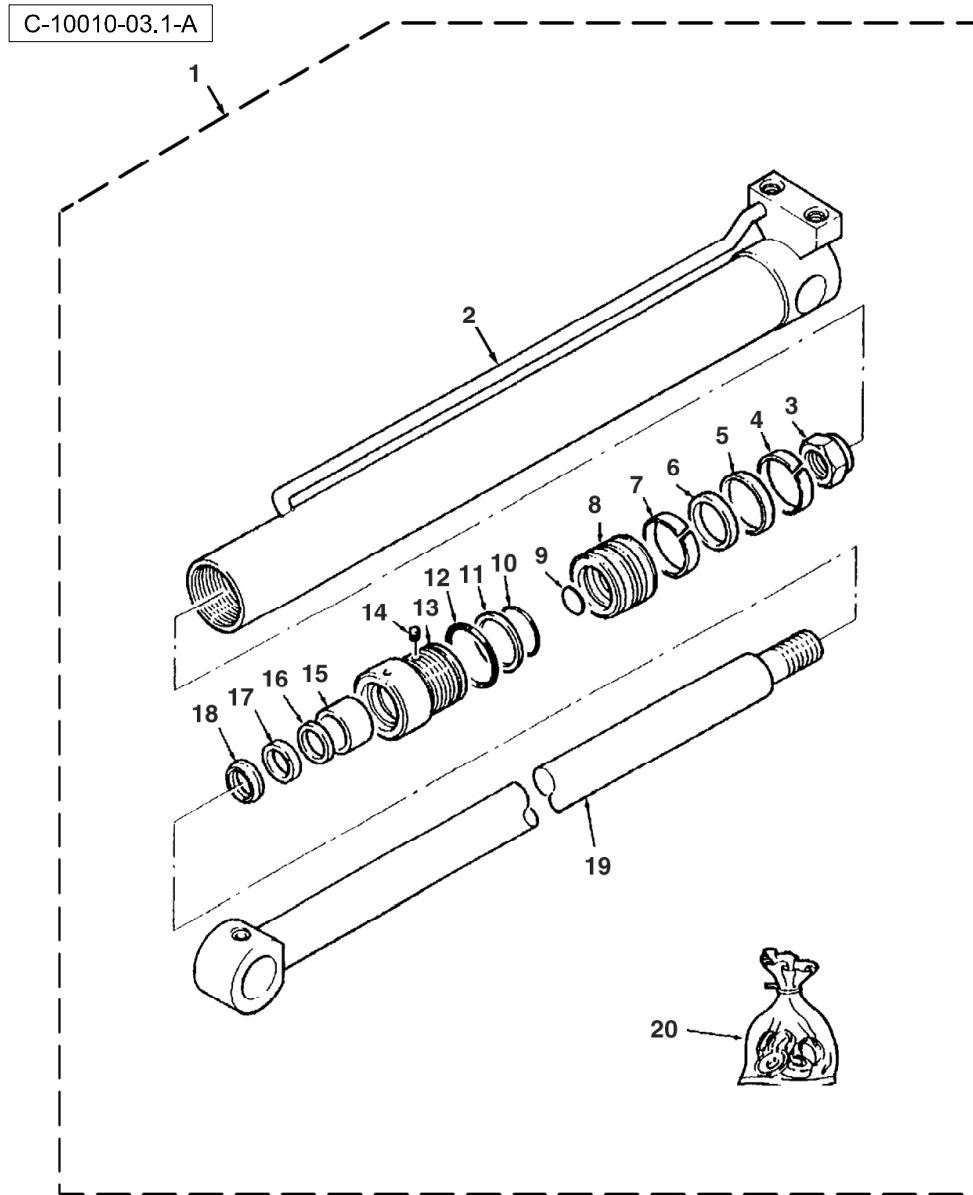
Item	Part No.	Qty.	English	French	German	Spanish	Remarks
1	6112048M91	1	Chassis Complete 2ws Short Ss	Chassis	Fahrgestell	Chasis	
2	#CHASSIS	1	Chassis	Chassis	Chassis	Chassis	Ref. 1
3	1470375M1	6	Threaded Mount Plate	Support De Fixation	Befestigung	Soporte De Fijación	

C-10010-02.1-A



Item	Part No.	Qty.	English	French	German	Spanish	Remarks
1	3521289M3	2	Pin Stabiliser Cyl.	Axe	Bolzen	Pasador	
2	1440478X1	2	Circlip 45mm	Segment D´Arrêt	Sicherungsring	Anillo De Resorte	
3	3521279M2	2	Spacer	Entretoise	Distanzstück	Traviesa	
4	#CYLINDER ASSY	2	Cylinder Assy	Cylinder Assy	Cylinder Assy	Cylinder Assy	10010c03.1 1 10010c03.2 1
5	3521279M2	2	Spacer	Entretoise	Distanzstück	Traviesa	
6	1440478X1	2	Circlip 45mm	Segment D´Arrêt	Sicherungsring	Anillo De Resorte	
7	3518965M1	0	Wear Pad Natural-6.0mm	Patin D¿Usure	Verschleißkissen	Patín De Desgaste	
7	6108417M1	0	Wear Pad-Sq're Green 3.60/3.40	Patin D¿Usure	Verschleißkissen	Patín De Desgaste	
7	6108416M1	0	Wear Pad-Sq're Blue 4.00/3.80	Patin D¿Usure	Verschleißkissen	Patín De Desgaste	
7	3521199M3	0	Pad Square Blac 5.0/4.75	Patin D¿Usure	Verschleißkissen	Patín De Desgaste	
7	3518936M1	0	Pad Wear Red 6.5/6.25	Patin D¿Usure	Verschleißkissen	Patín De Desgaste	
7	3517077M1	0	Pad Sq Grey 5.5/5.25	Patin D¿Usure	Verschleißkissen	Patín De Desgaste	
7	3516684M2	0	Pad Square Yell 4.5/4.25	Patin D¿Usure	Verschleißkissen	Patín De Desgaste	
8	6108420M91	2	Stabiliser Leg Assy Inner S/S	Tige	Schaft	Varilla	
9	3519712M1	0	Pad Round Yell 4.5/4.25	Patin D¿Usure	Verschleißkissen	Patín De Desgaste	
9	3519713M1	0	Pad Round Blac 5.0/4.75	Patin D¿Usure	Verschleißkissen	Patín De Desgaste	
9	3519714M1	0	Pad Round Grey 5.5/5.25	Patin D¿Usure	Verschleißkissen	Patín De Desgaste	
9	3519715M1	0	Pad Round Natl 6.0/5.75	Patin D¿Usure	Verschleißkissen	Patín De Desgaste	
9	3519716M1	0	Pad Round Red 6.5/6.25	Patin D¿Usure	Verschleißkissen	Patín De Desgaste	
9	6108418M1	0	Wear Pad-Round Blue 4.00/3.80	Patin D¿Usure	Verschleißkissen	Patín De Desgaste	
9	6108419M1	0	Wear Pad-Round Green 3.60/3.40	Patin D¿Usure	Verschleißkissen	Patín De Desgaste	
10	6112386M1	2	Stabiliser Foot - Sideshift	Pied	Fuß	Pie	Feb 2008
10	6102864M1	2	Foot Stabiliser S/S	Pied	Fuß	Pie	Feb 2008
11	3522879M2	2	Pin Stabiliser Foot S/S	Axe	Bolzen	Pasador	
12	1442169X1	2	Cap Screw Soc.Hd.M10 X 90	Vis A Tete Six Pans	Zylinderschraube	Tornillo	
13	1440329X1	2	Nut, Hex. - Nyloc, M10	Ecrou Blocage	Flachmutter M10	Tuerca De Retención	

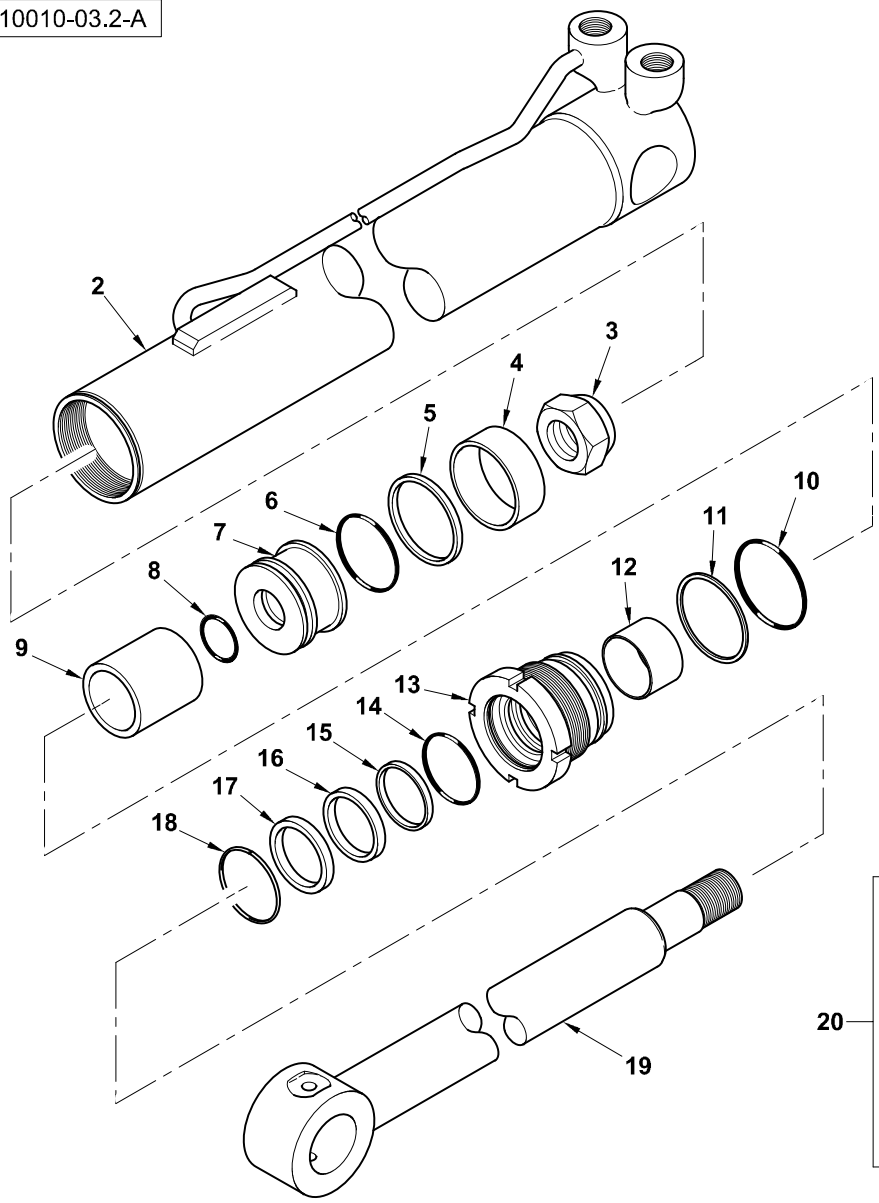




Item	Part No.	Qty.	English	French	German	Spanish	Remarks
1	3622129M94GY02	2	Cylinder Stab Ss Only (Benford Grey)	L´Hie Hydraulique	Zylinder Hydr.	Gato, Conj.	Tba [10010c02.1 4]
2	3623297M92	1	Barrel Assy	Cylindre De Vérin	Zylinderrohr	Cilindro De Gato	
3	1607690M1	1	Lock Nut M30	Ecrou Frein	Kontermutter	Tuerca	
4	3487067M1	1	Piston Guide Ring 70*10*2	Bague D`Étanchéité	Dichtungsring	Anillo, Estanqueidad	
5	3485241M1	1	Wear Ring Piston	Anneau	Ring	Aro	
6	3485254M1	1	Ring Pressure	Anneau	Ring	Aro	
7	3487067M1	1	Piston Guide Ring 70*10*2	Bague D`Étanchéité	Dichtungsring	Anillo, Estanqueidad	
8	3623299M1	1	Piston	Piston	Kolben	Pistón De Gato	
9	359181X1	1	O-Ring (44.04 Mm Nominal I/D) Shore A90	Joint Torique	O - Ring	Junta De Tipo O	
10	359187X1	1	O-Ring-63,09*3,53	Joint Torique	O Ring	Junta De Tipo O	
11	1884170M1	1	Backring-64.06*3*02	Contre-Joint	Stützring	ContraJunta	
12	3487205M1	1	O Ring, Hydr. Cylinder	Joint Torique	O Ring	Junta De Tipo O	
13	3623298M1	1	Bearing Cylinder	Roulement	Lager	Palier De Gato	
14	3443386M1	1	Retaining Plug	Bouchon	Stopfen	Tapón	
15	3491486M1	1	Bush, Piston Rod/Gland	Douille	Büchse	Anillo	
16	3443341M1	1	Ring Buffer	Bague D`Étanchéité	Dichtungsring	Anillo, Estanqueidad	
17	1606464M1	1	Seal	Joint D´Arbre	Wellendichtring	Junta	
18	1606575M1	1	Wiper Ring	Anneau	Ring	Junta Raspador	
19	3441606M91	1	Piston Rod Assy	Tige De Vérin	Kolbenstange	Vástago Cilindro	
20	3623300M91	1	Kit Seal	Jeu Étanchéité	Dichtringsatz	Juego De Juntas	



C-10010-03.2-A



- 4
- 5
- 6
- 8
- 10
- 11
- 14
- 15
- 16
- 17