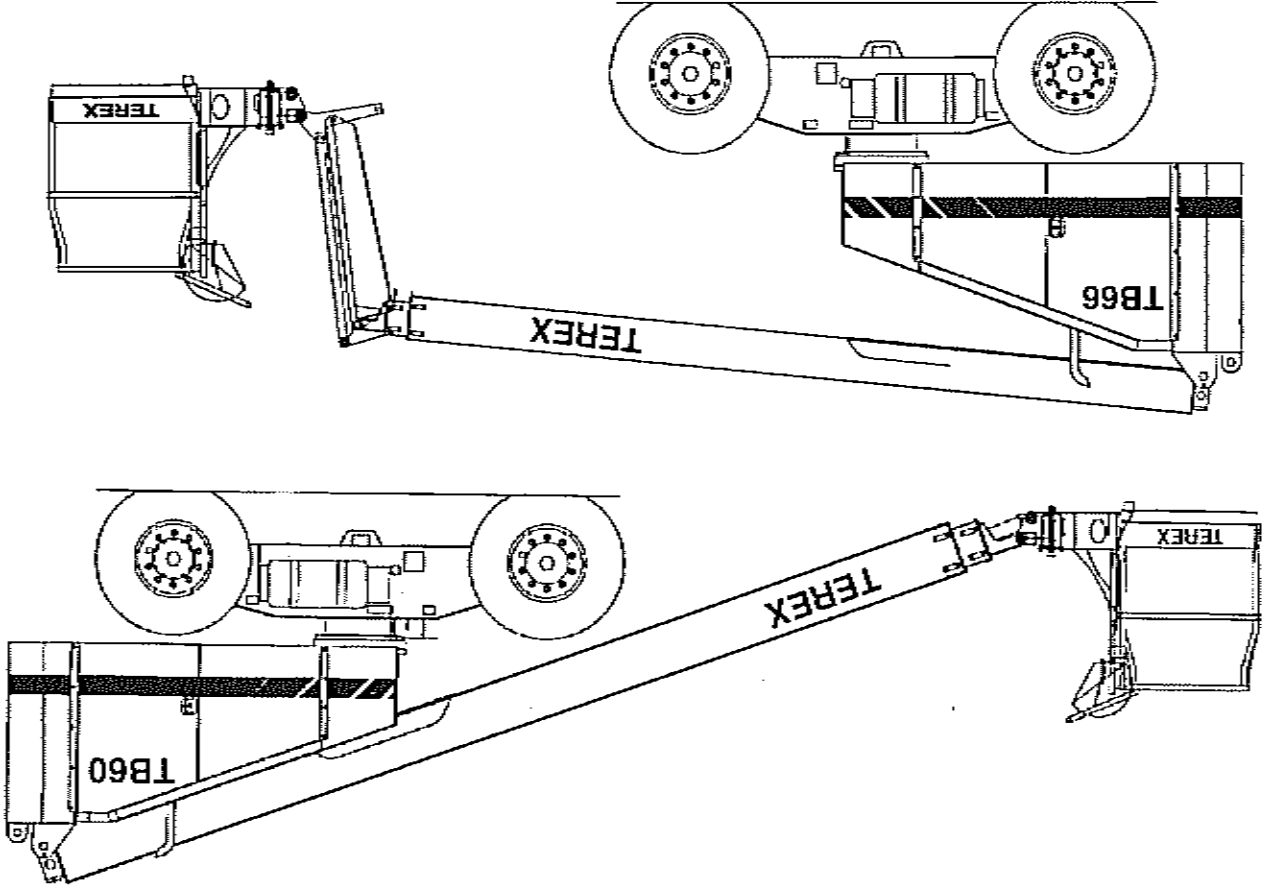


TEREX AERIALS



SELF-PROPELLED BOOM LIFT MODEL TB60/TB66



PARTS MANUAL

Terex Worldwide Parts Distribution Center
8800 Rostin Road
Southaven, MS 38671-0923
(662) 393-1351 or (662) 393-1353

Issued: 1 April 93
Revised: August 2002

P/N 17162



SECTION 1 CONTAINS:

<u>PAGE</u>	<u>TITLE</u>
1.1	NOTICE TO USERS
1.2	TABLE OF CONTENTS
1.8	HOW TO USE THE PARTS MANUAL
1.10	HOW TO ORDER PARTS
1.12	ABBREVIATIONS AND SYMBOLS

The Parts Manual, though sometimes helpful in the process of assembly / disassembly, is NOT intended to be assembly / disassembly instructions.

NOTICE

Terex Aerials strives to include in the Parts Manual, information and illustrations that are accurate, complete, and current. Due to on-going changes and revisions by our many suppliers, it is often impossible to show all variations of a given assembly. Therefore, this information is subject to change without notice.

DISCLAIMER



TEREX AERIALS

Model TB60/66

Revised 8-2001

Page

1.2

1

TABLE OF CONTENTS

SECTION 1 "INTRODUCTION" CONTAINS:	
TITLE	PAGE
NOTICE TO USERS	1.1
TABLE OF CONTENTS	1.2
HOW TO USE THE PARTS MANUAL	1.8
HOW TO ORDER PARTS	1.10
ABBREVIATIONS AND SYMBOLS	1.12
SECTION 2 "FINAL ASSEMBLY" CONTAINS:	
TITLE	PAGE
FINAL ASSEMBLY	2.1
SHEET METAL	2.2
DECALS - TB60	2.4
DECALS - TB66	2.6
FILTER KITS	2.8
SECTION 3 "BASE ASSEMBLY" CONTAINS:	
TITLE	PAGE
BASE ASSEMBLY (4WD & OSCILLATING AXLE)	3.3
BASE HYDRAULICS (4WD & OSCILLATING AXLE)	3.7
TIE ROD ASSEMBLY	3.9
OSCILLATING AXLE CYLINDER	3.10
TORQUE HUB (FAIRFIELD)	3.11
TORQUE HUB (AUBURN GEAR)	3.13
DRIVE MOTOR (STANDARD)	3.15
PARKING BRAKE	3.17
WHEEL & TIRE ASSEMBLY	3.18
STEERING CYLINDER (ROSENBOOM)	3.20
FUNCTION VALVE (4WD)	3.21

SECTION 4 "TURRET ASSEMBLY" CONTAINS:

TITLE	PAGE
TURRET	4.3
TURRET ROTATION GEAR BOX	4.4
ROTATION MOTOR	4.6
FORD ENGINE	
ENGINE (FORD GAS & LP)	4.8
RADIATOR	4.10
AIR CLEANER (FORD)	4.11
FUEL TANK (FORD)	4.12
LP FUEL SYSTEM (FORD)	4.14
BATTERY ASSEMBLY (FORD & CUMMINS)	4.16
ENGINE CONTROL PANEL (FORD)	4.17
DEUTZ DIESEL ENGINE	
ENGINE (DEUTZ)	4.18
FUEL TANK (DEUTZ & CUMMINS)	4.20
BATTERY ASSEMBLY (DEUTZ)	4.21
AIR CLEANER ASSEMBLY (DEUTZ & CUMMINS)	4.22
AIR CLEANER	4.23
ENGINE CONTROL PANEL (DEUTZ)	4.24
CUMMINS DIESEL ENGINE	
ENGINE (CUMMINS)	4.26
ENGINE CONTROL PANEL (CUMMINS)	4.28
TURRET WIRING	4.30
GROUND CONTROL BOX	4.32
UPPER HYDRAULICS	4.34
HYDRAULIC HOSE KIT	4.38
HYDRAULIC RESERVOIR & FILTER	4.40
EMERGENCY RETRACT PUMP ASSEMBLY	4.41
ROTARY MANIFOLD ASSEMBLY	4.42
O-RINGS / CLAMPS	4.44
MAIN PUMP	4.46

WHEN ORDERING PARTS, SPECIFY MODEL NUMBER, SERIAL NUMBER AND DESCRIPTION OF PART REQUIRED

SECTION 4 "TURRET ASSEMBLY" CONT'D.:

<u>TITLE</u>	<u>PAGE</u>
MAIN PUMP CONTROL	4.48
EMERGENCY PUMP / MOTOR	4.49
MAIN VALVE	4.50
ROTARY MANIFOLD	4.52

SECTION 5 "BOOM ASSEMBLY" CONTAINS:

<u>TITLE</u>	<u>PAGE</u>
BOOM INSTALLATION	5.1
BOOM ASSEMBLY - TB60	5.2
BOOM ASSEMBLY - TB60CE	5.6
BOOM ASSEMBLY - TB66	5.10
BOOM ASSEMBLY - TB66CE	5.13
6' JIB ASSEMBLY	5.16
BOOM LIFT CYLINDER (ROSENBOOM)	5.18
MASTER LEVELING CYLINDER	5.19
JIB LEVELING CYLINDER (ROSENBOOM)	5.20
SLAVE LEVELING CYLINDER (ROSENBOOM)	5.21
BOOM EXTEND CYLINDER	5.22
POWER TRACK ASSEMBLY (MULTIPLEX)	5.26
JIB HYDRAULIC ASSEMBLY	5.30

SECTION 6 "PLATFORM" CONTAINS:

<u>TITLE</u>	<u>PAGE</u>
PLATFORM ASSEMBLY	6.2
AERIAL CONTROL BOX	6.4
PLATFORM ROTATOR	6.10
FOOT SWITCH	6.11
PLATFORM WIRING	6.12
JOYSTICKS (LIFT/ROTATE)	6.13

WHEN ORDERING PARTS, SPECIFY MODEL NUMBER, SERIAL NUMBER AND DESCRIPTION OF PART REQUIRED

TABLE OF CONTENTS

SECTION 6 "PLATFORM" CONT'D.:

PAGE	TITLE
6.14	JOYSTICKS (DRIVE/STEER)
6.15	JOYSTICKS (BOOM EXTEND)
6.16	PLATFORM GATE ASSEMBLY

SECTION 7 "OPTIONS" CONTAINS:

PAGE	TITLE
7.2	OSCILLATING AXLE BASE (2WD) - TB60 & TB66
7.4	BASE HYDRAULICS (2WD & OSCILLATING AXLE)
7.6	FIXED AXLE BASE (2WD) - TB60
7.8	BASE HYDRAULICS (2WD & FIXED)
7.10	FUNCTION VALVE (2WD)
7.12	WHEEL HUB ASSEMBLY
7.13	WARNING HORN
7.14	AMBER BEACON
7.15	ALL MOTION ALARM & TRAVEL WARNING ALARM
7.16	GENERATOR ASSEMBLY
7.17	GENERATOR
7.18	MANIFOLD & HOSE KIT (GENERATOR)
7.19	AIRLINE TO PLATFORM ASSEMBLY
7.20	TOWING PACKAGE ASSEMBLY
7.22	TIE ROD ASSSEMBLY (TOWING PACKAGE)
7.24	BOOM INSTALLATION (HOSTILE ENVIRONMENT)
7.25	BOOM LIFT CYLINDER (HOSTILE ENVIRONMENT)
7.26	HOSTILE ENVIRONMENT
7.28	INNER & OUTER WIPER ASSEMBLY (TB66)
7.29	INNER & OUTER WIPER ASSEMBLY (TB60)
7.30	AIR CLEANER ASSEMBLY (DEUTZ & CUMMINS)
7.31	AIR CLEANER ASSEMBLY (FORD)
7.32	PLATFORM OVERLOAD PROTECTION ASSEMBLY
7.33	FORD ENGINE BLOCK HEATER

SECTION 8

PAGE	TITLE
8.1	ALPHABETICAL LIST

