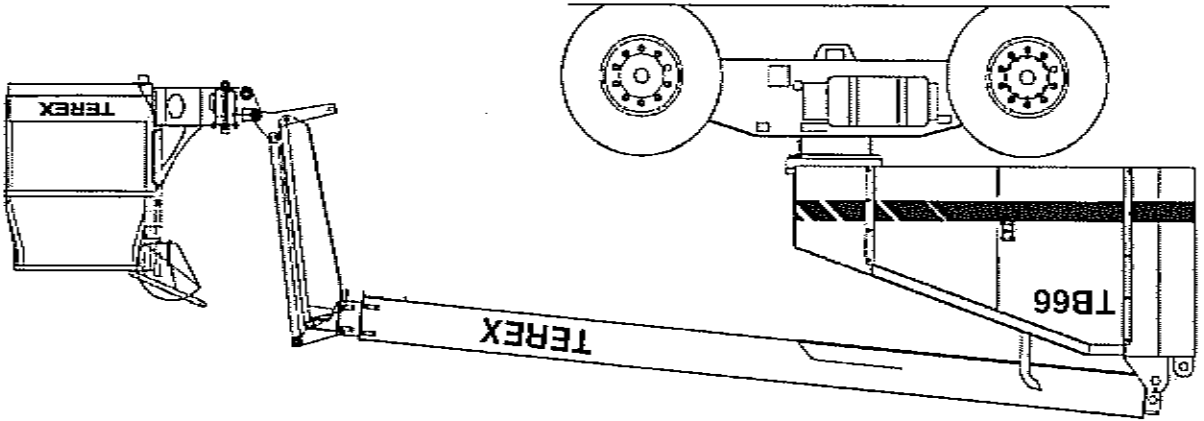
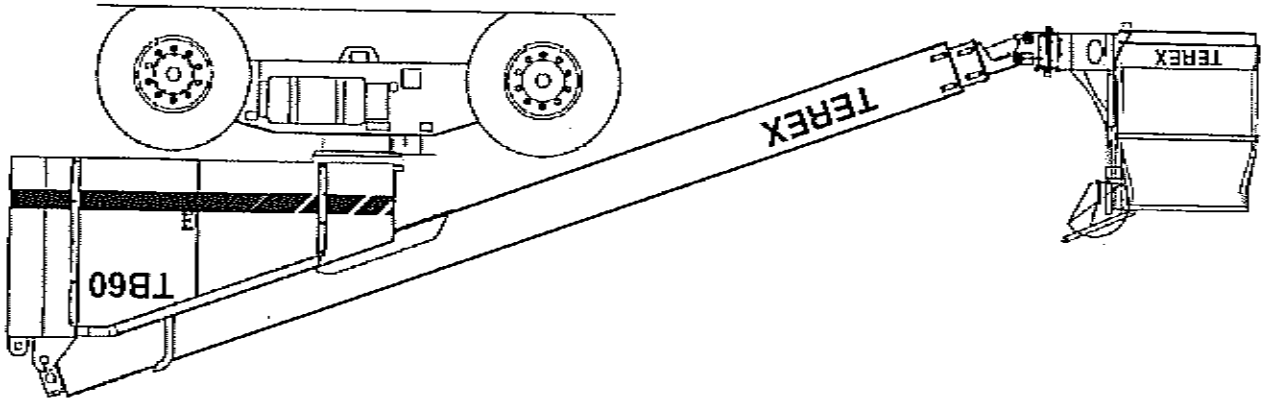




OPERATOR'S MANUAL

SELF-PROPELLED BOOM LIFT MODEL TB60/66



FOR PARTS OR SERVICE
CONTACT:

**OPERATION AND
OPERATOR
MAINTENANCE MANUAL**

*Renger Equipment
step 10 843-760-1165*

Terex Aerials
Terex Parts Sales Center
8800 Rostin Road
P.O. Box 923
Southaven, MS 38671
U.S.A.

Telephone: (662) 393-1351
Facsimile: (662) 393-1751

Revised: May 2002
P/N 12261-252

THE OPERATOR MUST READ AND UNDERSTAND ALL OF THE INSTRUCTIONS IN THIS MANUAL BEFORE OPERATING THE AERIAL LIFT.

WARNING

Table of Contents

TEREX AERIALS



OPERATOR'S MANUAL

| Section No. | Description |
|-------------|--------------------------------|
| 1 | Introduction |
| 2 | Safety Rules |
| 3 | Specifications |
| 4 | Controls and Instruments |
| 5 | Before Operation Check |
| 6 | Operation |
| 7 | Unloading |
| 8 | Loading |
| 9 | Maintenance |
| 10 | Emergency Procedures |
| 11 | Index |

THESE SYMBOLS MEAN YOUR SAFETY IS INVOLVED! SEE NEXT PAGE FOR SPECIFIC INFORMATION. READ, UNDERSTAND AND FOLLOW ALL DANGER, WARNING AND CAUTION DECALS ON YOUR MACHINE.



If there is anything in this manual that is not clear or which your believe should be added, please send your comments to the Technical Publications Department, Terex Aerials, 106-12th Street, S.E., Waverly, Iowa 50677-9466 or call (319) 352-3920. To help you recognize important safety information, we have identified warnings and instructions that directly impact on safety with following signals:

1. Comply with OSHA, Federal, State and Local Regulations.
2. Read, Understand and follow the instructions in this and other manuals supplied with this machine.
3. Use good, safe work practices in a common sense way.
4. Have only trained operators - directed by informed and knowledgeable supervision - running the machine.

Terex Aerials appreciates your choice of our aerial lift for your application. Our number one priority is user safety, which is best achieved by our joint efforts. We feel that you can make a major contribution to safety if you as the equipment user and operator.

Owners, Users and Operators:

Introduction

Thank you!

One final note: The best method to protect yourself and others from injury or death is to use common sense. If you are unsure of any operation, don't start until you are satisfied that it is safe to proceed and have discussed the situation with your supervisor.

"CAUTION" INDICATES A POTENTIALLY HAZARDOUS SITUATION WHICH, IF NOT AVOIDED, MAY RESULT IN MINOR OR MODERATE INJURY. IT IS ALSO USED TO ALERT AGAINST UNSAFE PRACTICES, AND FOR PROPERTY-DAMAGE-ONLY SITUATIONS.



"WARNING" INDICATES A POTENTIALLY HAZARDOUS SITUATION WHICH, IF NOT AVOIDED, COULD RESULT IN DEATH OR SERIOUS INJURY.



"DANGER" INDICATES AN IMMINENTLY HAZARDOUS SITUATION WHICH, IF NOT AVOIDED, WILL RESULT IN DEATH OR SERIOUS INJURY. THIS SIGNAL WORD IS LIMITED TO THE MOST EXTREME SITUATIONS.



Introduction




| Description | Page No. |
|---|----------|
| Safety..... | 2-2 |
| Training and Knowledge..... | 2-2 |
| To Prevent Tip-over..... | 2-2 |
| Slip and Fall Prevention..... | 2-4 |
| General Information..... | 2-5 |
| Operation in the Vicinity of Electrical Conductors..... | 2-8 |
| Glass Handler Option..... | 2-10 |

Section 2


Safety



- 1. Do not exceed the load capacity of the aerial lift. The load capacity includes the combined weight of personnel, tools, fixtures, accessories, etc. Loads should be evenly distributed over the platform floor.
- 2. Do not exceed the maximum number of personnel allowed on the platform. This information is shown on the platform decal, and can be found in the "Specifications" Section of this manual.
- 3. Check the load capacity of floors, ramps and bridges before driving or operating the aerial lift on them.
- 4. Do not alter, disconnect or override any interlocks or other safety devices.

 To Prevent Tip-over

- 1. Do not operate this aerial lift until you have been trained in its operation. This equipment may only be operated by trained personnel, who have demonstrated their ability to do so safely.
- 2. Do not operate this aerial lift until you have read and understood the Operator's Manual, EMI Safety Manual of Responsibilities supplied with the aerial lift.
- 3. Know OSHA, Federal, State and Local regulations applicable to your job.
- 4. Read and understand all decals and warnings on your aerial lift.


 Training and Knowledge

IN ADDITION TO THE SPECIFIC MAINTENANCE AND OPERATING INSTRUCTIONS IN THIS MANUAL, THE OPERATOR MUST READ AND UNDERSTAND ALL INSTRUCTIONS IN THE INTRODUCTION, AND IN THE FOLLOWING SAFETY RULES SECTION.

 WARNING

Safety

5. Do not operate this aerial lift in winds of excess of 25 M.P.H. This aerial lift is rated for use in winds not to exceed 25 M.P.H.
6. Check clearances overhead, around and below the aerial off before moving the boom up, down, in or out; tilting or rotating the platform; rotating the superstructure (turret), or travelling to prevent contact with obstacles.
7. Do not travel on slopes (grades) and ramps without first reading "Travelling on Grades and Ramps", later in this manual. This aerial lift is limited in the grades it can safely travel.
8. Before and during travelling:
 - A. Look in the direction of travel.
 - B. Avoid obstacles, bumps and potholes.
 - C. Maintain safe distance from all overhead objects.
 - D. Use a lookout if necessary!
9. Do not raise platform while positioned on trucks, trailers, railway cars, floating vessels, scaffolds, forklift trucks or similar equipment.
10. Do not operate this aerial lift with wheels "cribbed" or positioned on blocks.
11. With the platform swung away from the stowed position, use caution when selecting travel or steering direction. Travel and steer direction will be opposite switch or lever movement. Refer to the directional arrow decals on the undercarriage of the machine for travel orientation.
12. Care should be taken to keep electric cords, hoses, cables, ropes, etc. from becoming entangled in the aerial lift.

 To Prevent Tip-over (Continued)

Safety

1. Each person in the aerial platform must wear fall protection at all times.
2. Do not attach fall protection devices to an adjacent structure while on the platform.
3. Do not use planks, ladders, scaffolding or any other device on the platform to extend your reach.
4. Always keep both feet on the platform floor while traveling and working with the aerial lift. Do not lean over or stand on platform guard railings.
5. Keep platform, steps and shoes free from oil, mud, grease and other slippery substances. In cold weather, clear snow and ice from platform and steps.
6. Make sure the platform guard rails are not damaged and the entry gate is closed after entering the platform.
7. Do not attempt to climb down the boom assembly if the machine falls while the operator's platform is raised.
8. Do not operate this machine while under the influence of any drugs or alcohol.

⚠ Slip and Fall Protection

13. Limit travel speed to existing conditions. Do not use high speeds when maneuvering or traveling in reverse. Reverse travel should only be used to maneuver the aerial lift at job location.
14. Do not tow this aerial lift unless it is equipped with towing package!
15. Always operate the controls in a smooth, steady manner.
16. Do not use the boom or platform as a crane to lift oversized or hanging loads.
17. Always travel up or down slopes or grades with platform pointed down slope and with boom in stowed position (fully lowered and "in" or retracted.)

⚠ To Prevent Tip-over (Continued)

Safety