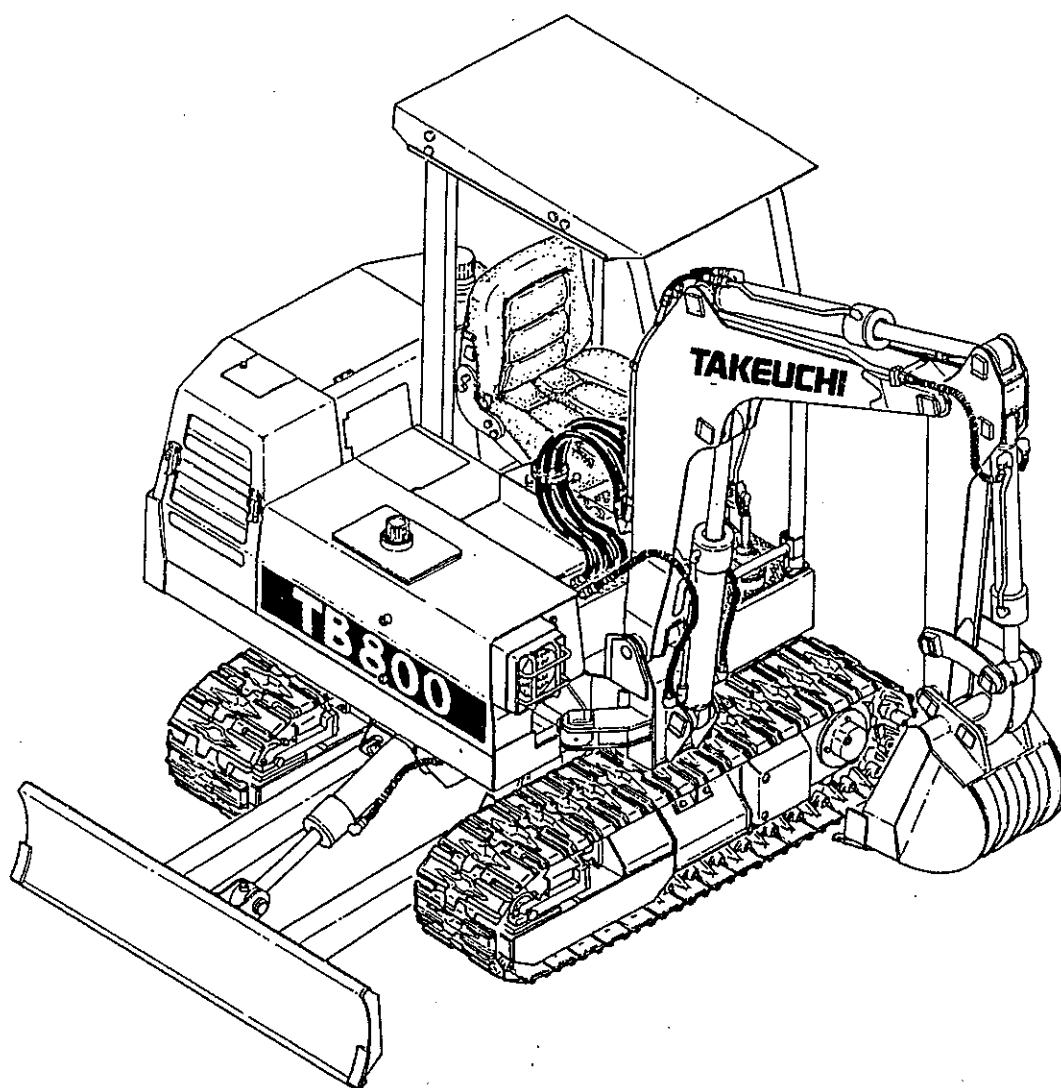


# TAKEUCHI

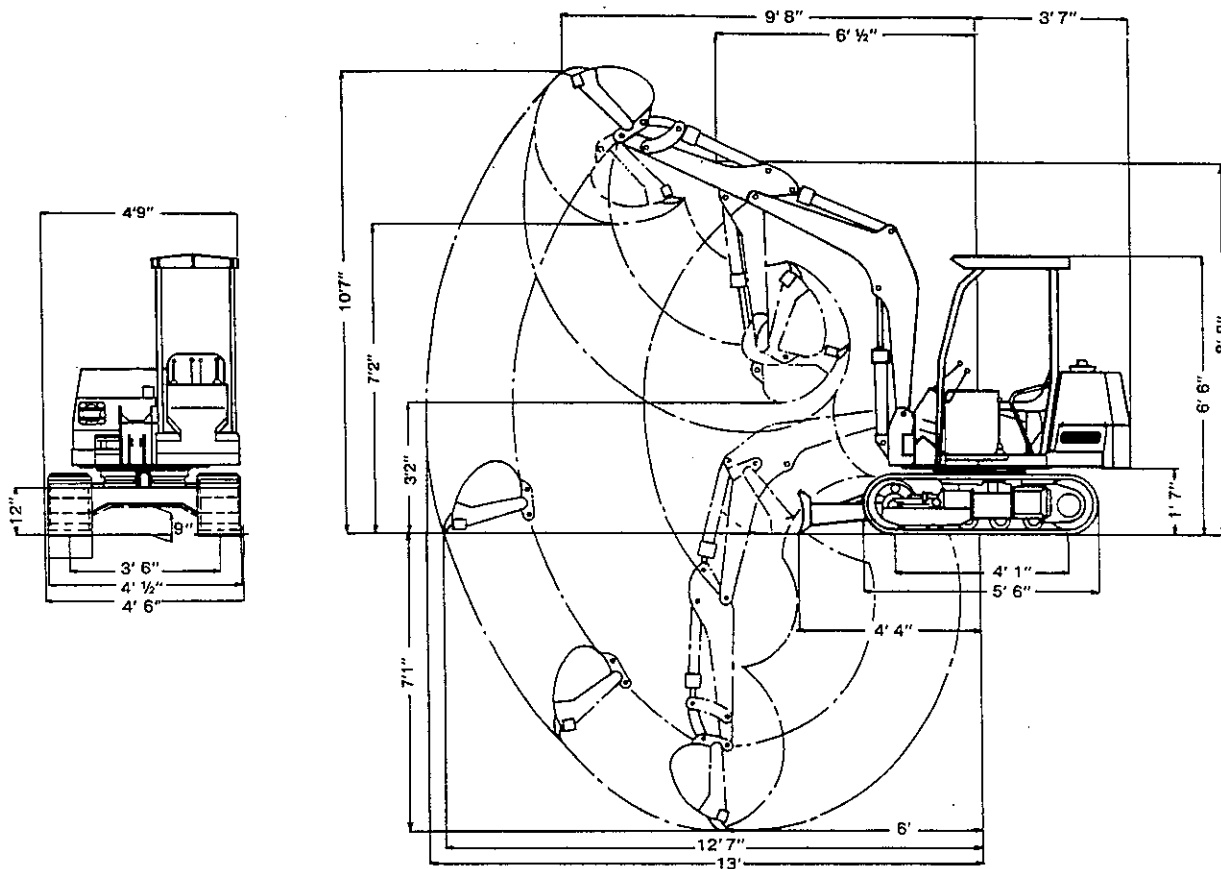
## PARTS CATALOG

MODEL **TB800**



**TAKEUCHI MFG.CO.,LTD.**





## TAKEUCHI TB-800 SPECIFICATIONS

### DIMENSIONS

Overall height (transporting position) .....	6'6"	1945mm
Overall length (transporting position) .....	12'5"	3800mm
Overall width .....	4'9"	1466mm

### BUCKET

Standard bucket .....	13.78"-2.70 cft	350mm-0.08m <sup>3</sup>
Optional bucket .....	10.24"-1.89 cft	260mm-0.05m <sup>3</sup>
	17.72"-3.51 cft	450mm-0.10m <sup>3</sup>
	19.69"-4.32 cft	500mm-0.12m <sup>3</sup>
	23.62"-5.40 cft	600mm-0.15m <sup>3</sup>

### WEIGHT

Complete machine operating weight .....	4366 lbs.	1980 kg
Ground Pressure .....	3.14 lbs/sq. in.	0.24 kb/cm <sup>2</sup>

### PERFORMANCE

Travel speed .....	0.95 m.p.h.	1.5 km/h
Superstructure rotation speed .....	8.1 r.p.m.	
Swingability .....	30°	
Maximum digging force (at bucket tooth) .....	3616 lbs	1640 kg
Maximum digging force (at stick boom) .....	2425 lbs.	1100 kg

### WORKING RANGES

Maximum depth of cut .....	7'1"	2150mm
Maximum dumping height .....	7'2"	2200mm

### DOZER BLADE

Width .....	55"	1400mm
Height .....	11.81"	300mm

### HYDRAULIC UNIT

Maximum relief pressure set .....	1990 p.s.i.	140 kg/cm <sup>2</sup>
Hydraulic pump & capacity .....	gear pump 5.97 gal/min x 2 pumps	
Hydraulic pump & discharge capacity .....	gear pump 5.97 gal/min x 2 pumps	22.6 L/min x 2 pumps

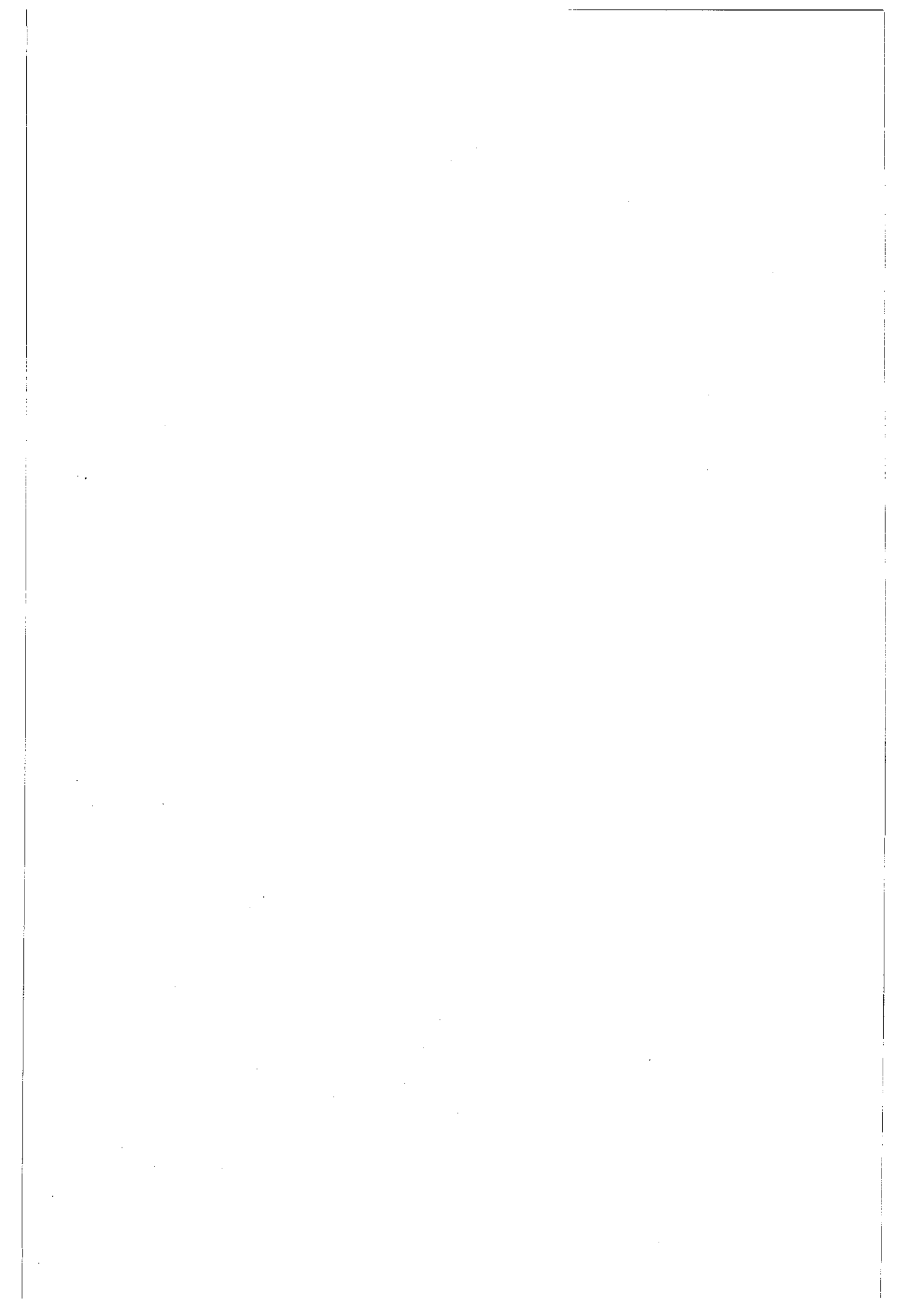
### ENGINE

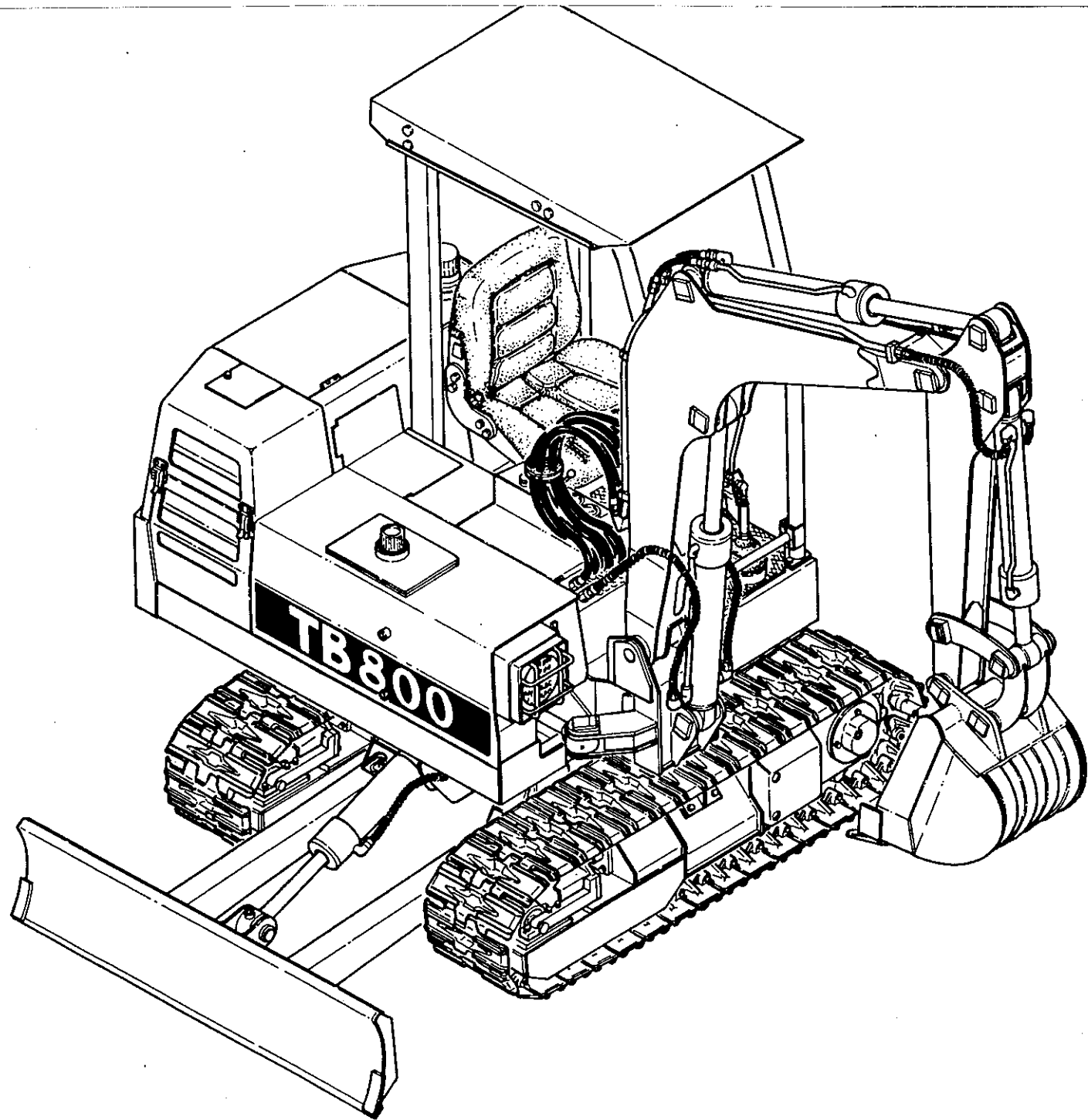
Make & model .....	Yanmar 3T72L-TB	
Rated output .....	17 hp/2400 r.p.m.	
Total displacement .....	54.4 cubic inches	890 cc
Maximum torque .....	40.50 ft.lbs.	5.6 kg-m
Cylinder number .....	3	
Cylinder bore x stroke .....	2.83 in. x 2.83 in.	72mm x 72mm
Compression ratio .....	23	
Fuel consumption .....	0.64 gal/h	170 g/hp-hr
Fuel tank capacity .....	7.40 gal.	29 L

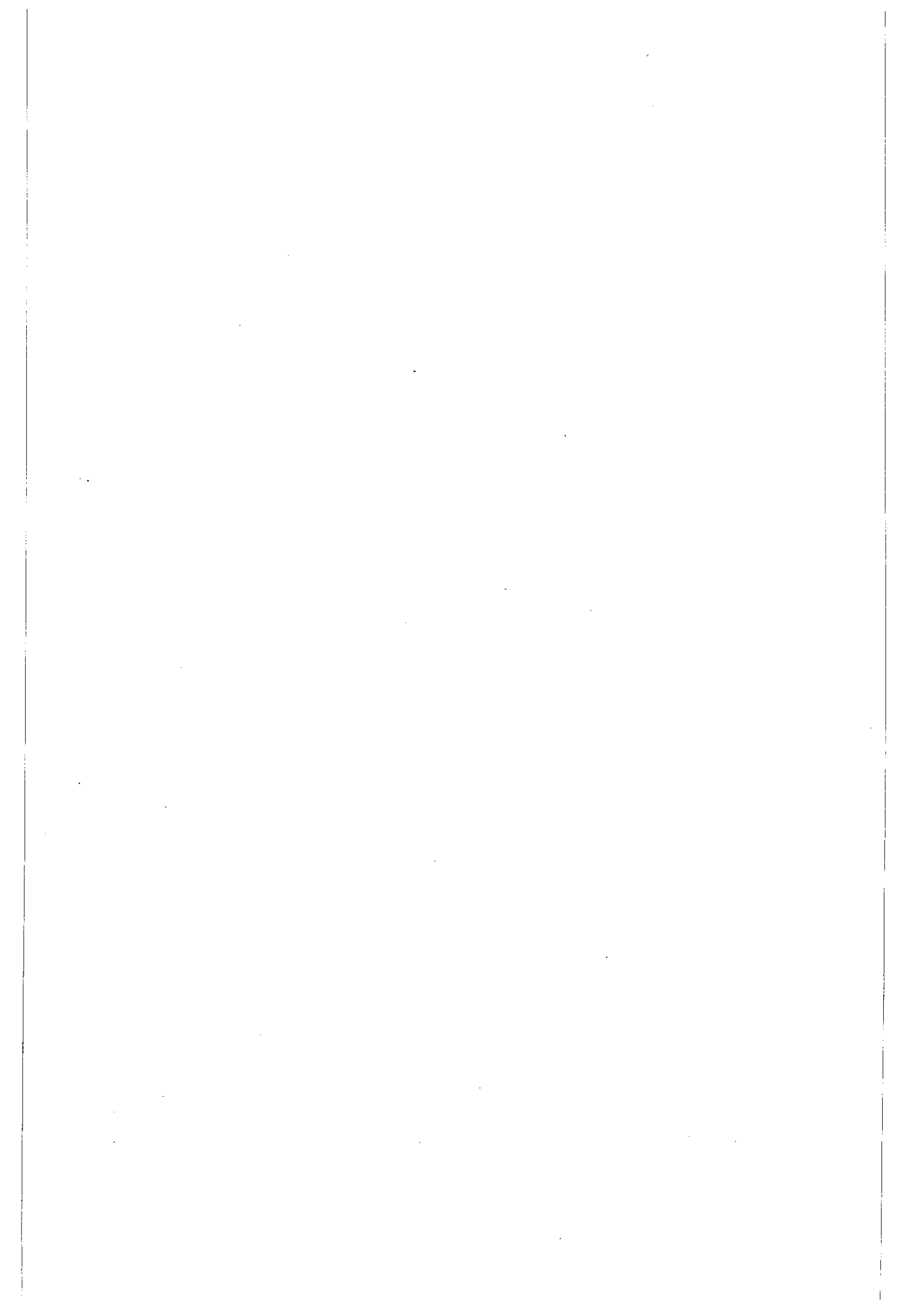
### Distributor:

### Takeuchi Mfg. (U.S.), Ltd.

Northeast Atlanta Industrial Park, 4400-E Bankers Circle, Atlanta, GA 30360  
Telephone: (404) 447-6670







# INDEX

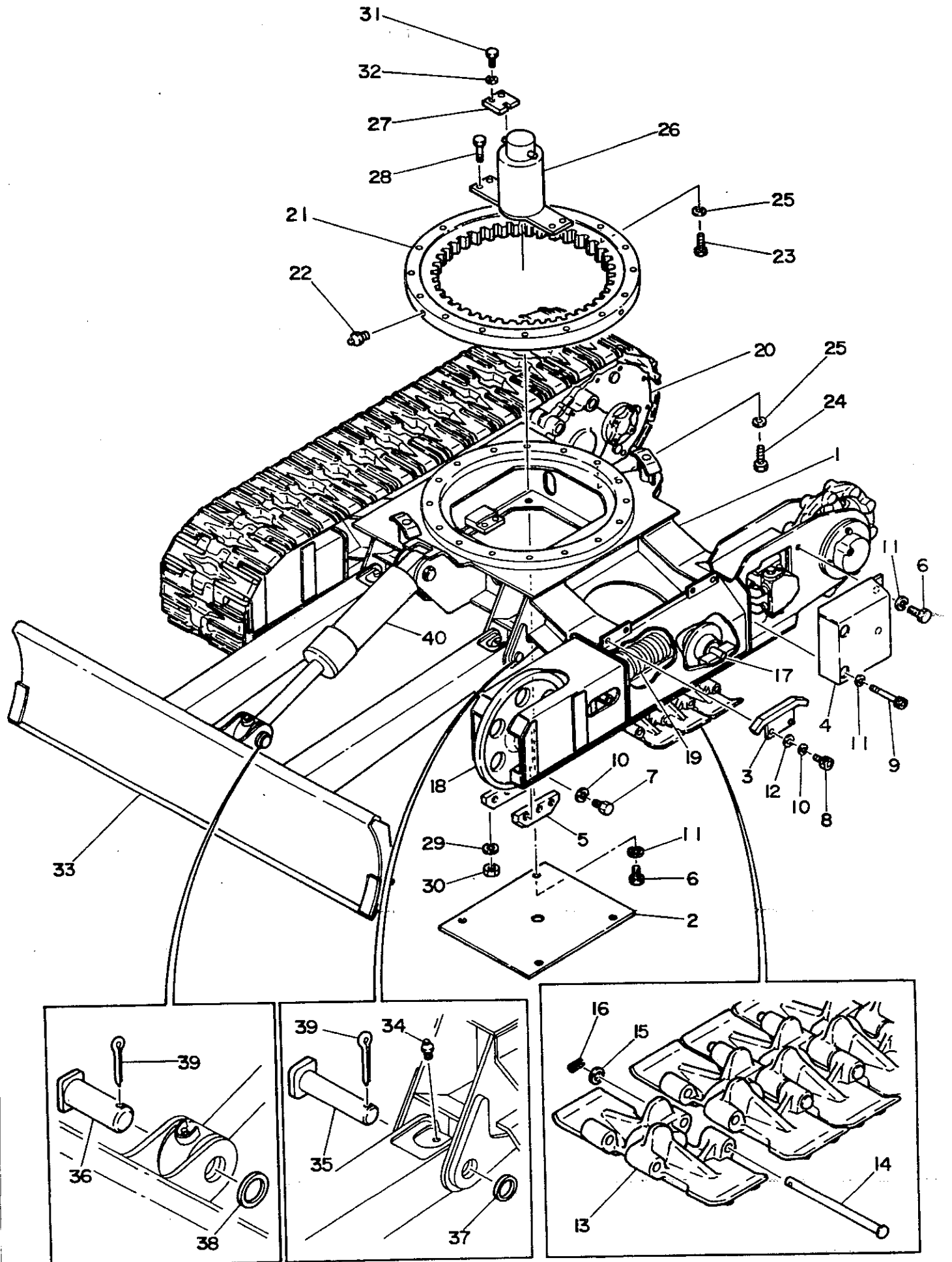
FIG. 01	
FIG. 02	LOWER MACHINE
FIG. 03	TRACK ROLLER
FIG. 04	FRONT IDLER
FIG. 05	TRACK TENSION
FIG. 06	TRACK GEARBOX
FIG. 07	PIPING, LOWER
FIG. 08	TURNTABLE
FIG. 09	SLEW GEARBOX
FIG. 10	PIPING, UPPER
FIG. 11	HYDRAULIC TANK
FIG. 12	FUEL TANK
FIG. 13	CONTROL LEVER
FIG. 14	CONTROL BOX
FIG. 15	ENGINE CONTROL
FIG. 16	ENGINE & ACCESSORIES
FIG. 17	PUMP DRIVE
FIG. 18	ELECTRICAL
FIG. 19	COVER
FIG. 20	SEAT
FIG. 21	CANOPY
FIG. 22	HOE
FIG. 23	BUCKET

# INDEX

- FIG. 24 PIPING, HOE  
FIG. 25 STICKER  
FIG. 26 TOOL
- FIG. 27 SWIVEL JOINT  
FIG. 28 CONTROL VALVE  
FIG. 29 BOOM CYLINDER  
FIG. 30 ARM CYLINDER  
FIG. 31 BUCKET CYLINDER  
FIG. 32 BLADE CYLINDER  
FIG. 33 SWING CYLINDER  
FIG. 34 HYDRAULIC MOTOR  
FIG. 35 CB VALVE & DS VALVE  
FIG. 36 C. S. VALVE  
FIG. 37 HYDRAULIC PUMP
- FIG. 38 TRIANGULAR SHOE  
FIG. 39 RUBBER SHOE  
FIG. 40 BUCKET  
FIG. 41 EJECTOR BUCKET



FIG. 02 LOWER MACHINE



Item	PARTS NUMBER	DESCRIPTION	Q' ty	REMARKS
1	00910-28100	FRAME	1	
2	00810-01300	COVER	1	
3	00810-01100	SLIDE	4	
4	00810-10300	COVER	2	
5	00910-28200	GUIDE	4	
6	11000-41015	BOLT	8	
7	11000-51030	BOLT	12	
8	11100-51020	BOLT, Socket	8	
9	11101-51000	BOLT, Socket	4	
10	11400-10010	WASHER, Spring	20	
11	11400-20010	WASHER, Spring	12	
12	11411-10010	WASHER, Plain	8	
0-1	19140-01300	SHOE ASSY, Track	2	
13	19140-01101	★SHOE	36	
14	19140-00102	★PIN, Track	36	
15	19140-00103	★WASHER	36	
16	12130-00620	★PIN, Spring	36	
17	01613-90000	ROLLER ASSY, Track	8	
18	00814-90000	IDLER ASSY, Front	2	
19	00815-90000	TENSION, Track	2	
20	00916-90000	GEARBOX, Track	2	
21	19130-24000	BEARING, Slew	1	
22	15600-10001	★NIPPLE, Grease	4	
23	11010-51260	BOLT	16	
24	11000-51255	BOLT	16	

NOTE #257 ~

Rev. ② Fig.02 1/3