

**Takeuchi**

**TB68S**

LOADED ENGINE

**DIESEL ENGINE**

MODEL

**SD334**

**PARTS CATALOG**

TAKEUCHI MFG. CO., LTD.  
205-3, UADAIRA, SAKAKI-MACHI,  
HANISHINA-GUN, NAGANO 389-07,  
JAPAN

1998

1999

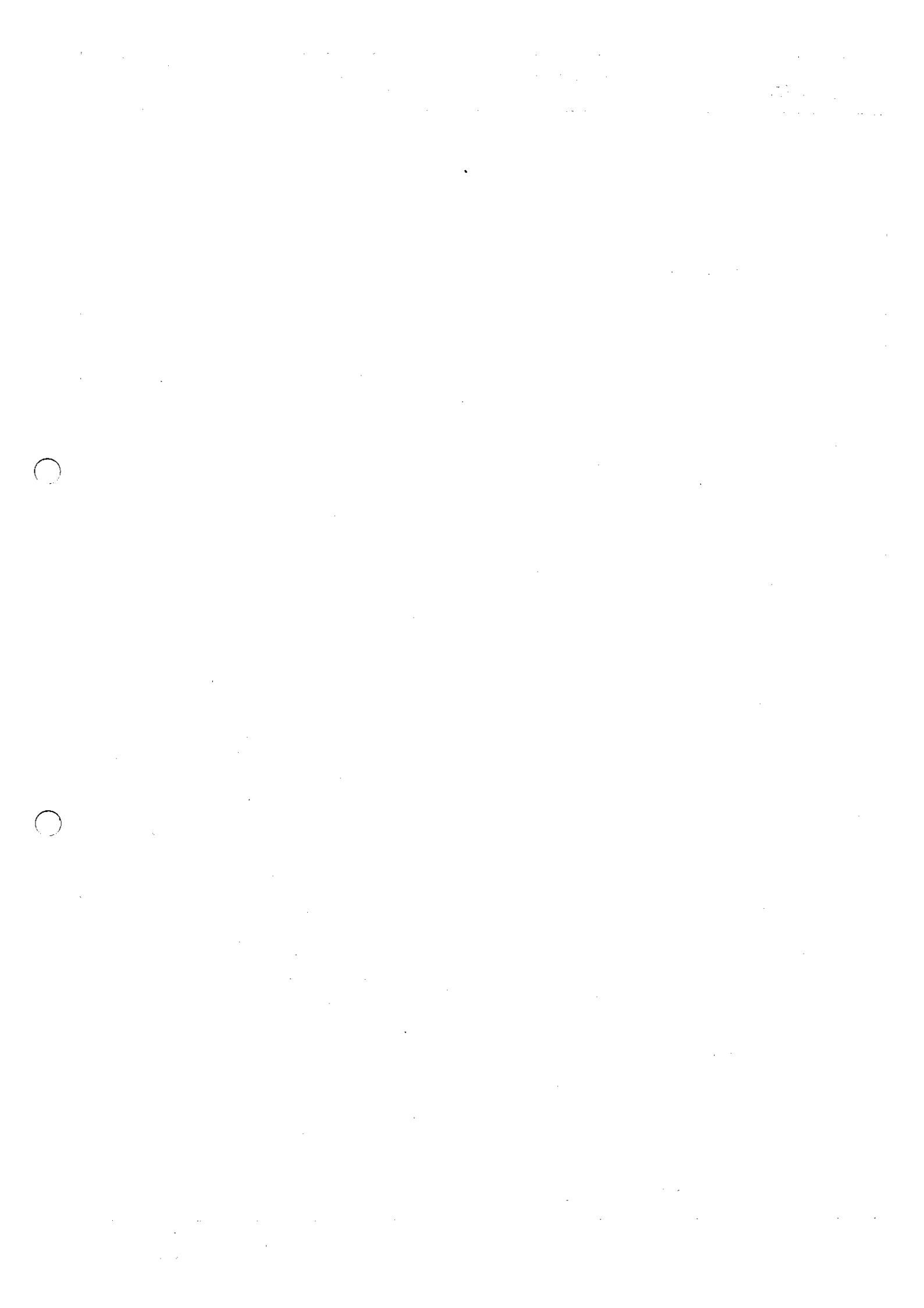
2000

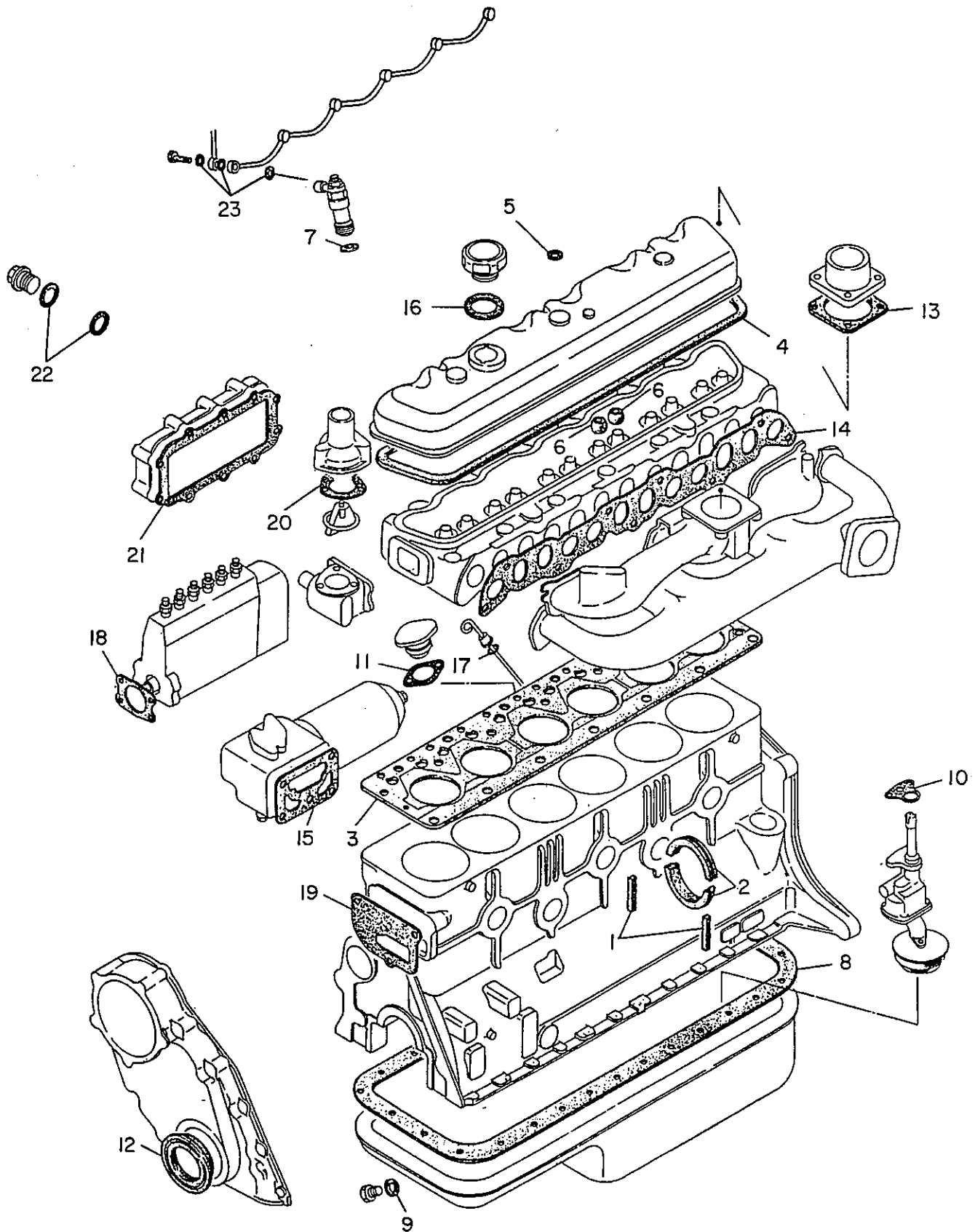
2001

2002

2003

2004





KEY NO. 1 - 23 ENGINE OVERHAUL KIT

PAGE

★印は非販売部品です。  
各々のASS'Yにて御注文下さい。

NOTE: The Mark ★ shown in the Key No. of the figure is not for sale individually. Please place an order as each Assembly.

OVERHAUL KIT-ENGINE

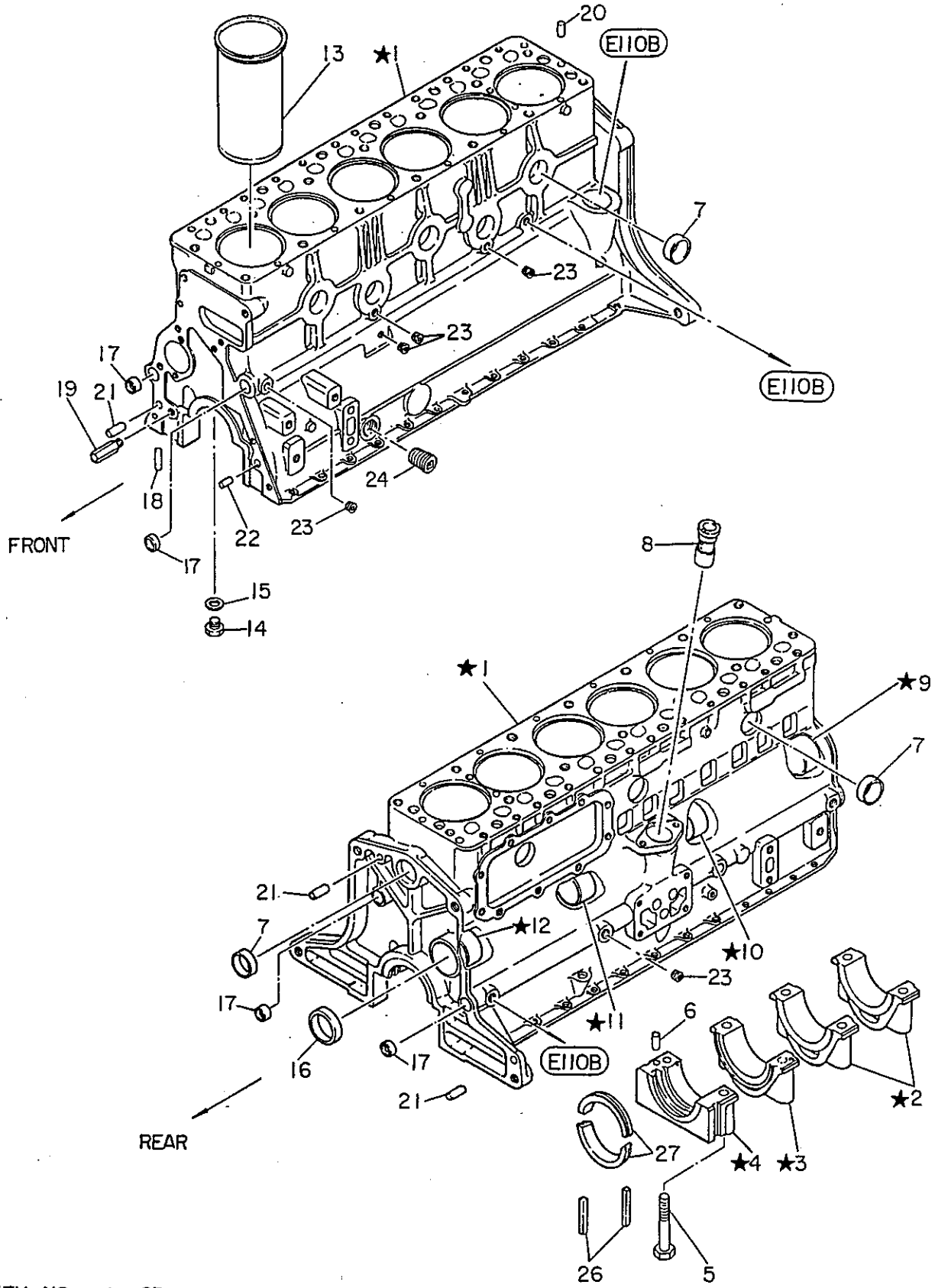
FIG.E100A

Key-No.	Description 部品名称	C O D E	Part Number 部品番号	Quantity Per Section 個数及び適用	I N T	Execution (E/#)
1- 23	OVERHAUL KIT-ENGINE	*	10101-29225	1 . . . . .		
1	SEAL-OIL (BEARING CAP)	K	12289-14600	2 . . . . .		
2	SEAL-OIL (BEARING CAP)	K	12279-76200	2 . . . . .		
3	GASKET (CYLINDER HEAD	K	11044-C8600	1 . . . . .		
4	GASKET (CYLINDER HEAD	K	13270-61502	1 . . . . .		
5	WASHER-SEAL (CYLINDER HEAD)	K	15266-76200	3 . . . . .		
6	SEAL-STEM (VALVE MECHANISM)	K	13207-C8700	12 . . . . .		
7	GASKET (PIPING-FUEL)	K	16635-J2000	6 . . . . .		
8	GASKET (PAN-OIL)	K	11121-C7800	1 . . . . .		
9	WASHER (PAN-OIL)	K	11026-61000	1 . . . . .		
10	GASKET (PAN-OIL)	K	15066-90007	1 . . . . .		
11	GASKET (SPINDLE SUPPORT)	K	22179-90001	1 . . . . .		
12	SEAL-OIL (COVER-FRONT)	K	13043-T7200	1 . . . . .		
13	GASKET (HOUSING-AIR INT.)	K	14327-37500	1 . . . . .		
14	GASKET (MANIFORD-EXHAUST)	K	14035-90000	1 . . . . .		
15	GASKET (FILTER-OIL)	K	15239-V1700	1 . . . . .		
16	GASKET (FILLER CAP)	K	15270-96001	1 . . . . .		
17	RING-RUBBER (PAN-OIL)	K	15147-37500	1 . . . . .		
18	GASKET (PUMP-FUEL INJ.)	K	16701-37504	1 . . . . .		
19	GASKET (PUMP-WATER)	K	21074-37502	1 . . . . .		
20	GASKET (COOLING-WATER)	K	11062- <del>76200</del> L6600	1 . . . . .		
21	GASKET (COOLER-OIL)	K	21307-61520	1 . . . . .		
22	GASKET (COOLER-OIL)	K	21331-76201	2 . . . . .		
23	GASKET (PIPING-FUEL)	K	01351-21084	13 . . . . .		

L6000 訂正 58,  
11062-76200 通知 2/11.

FIG. E110A

CYLINDER BLOCK



KEY NO. 1-23 CYLINDER BLOCK ASS'Y  
 KEY NO. 9-12 BUSHING SET

★印は非販売部品です。  
 各々のASS'Yにて御注文下さい。

NOTE: The Mark ★ shown in the Key No. of the figure is not for sale individually. Please place an order as each Assembly.

CYLINDER BLOCK

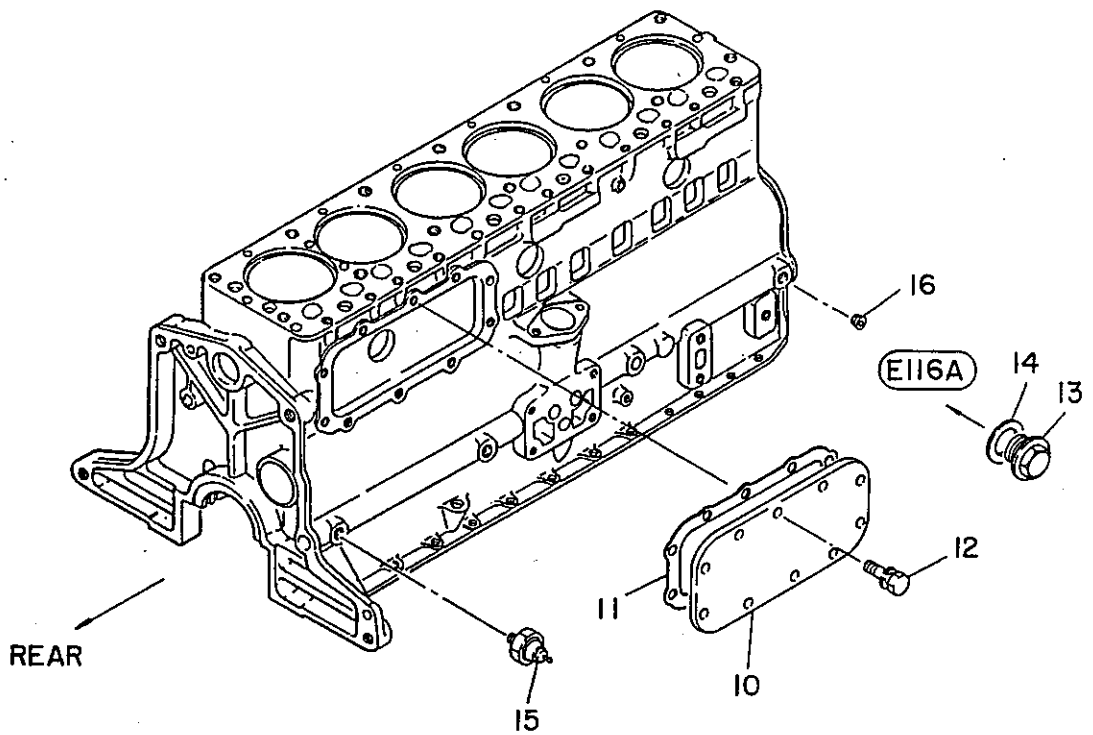
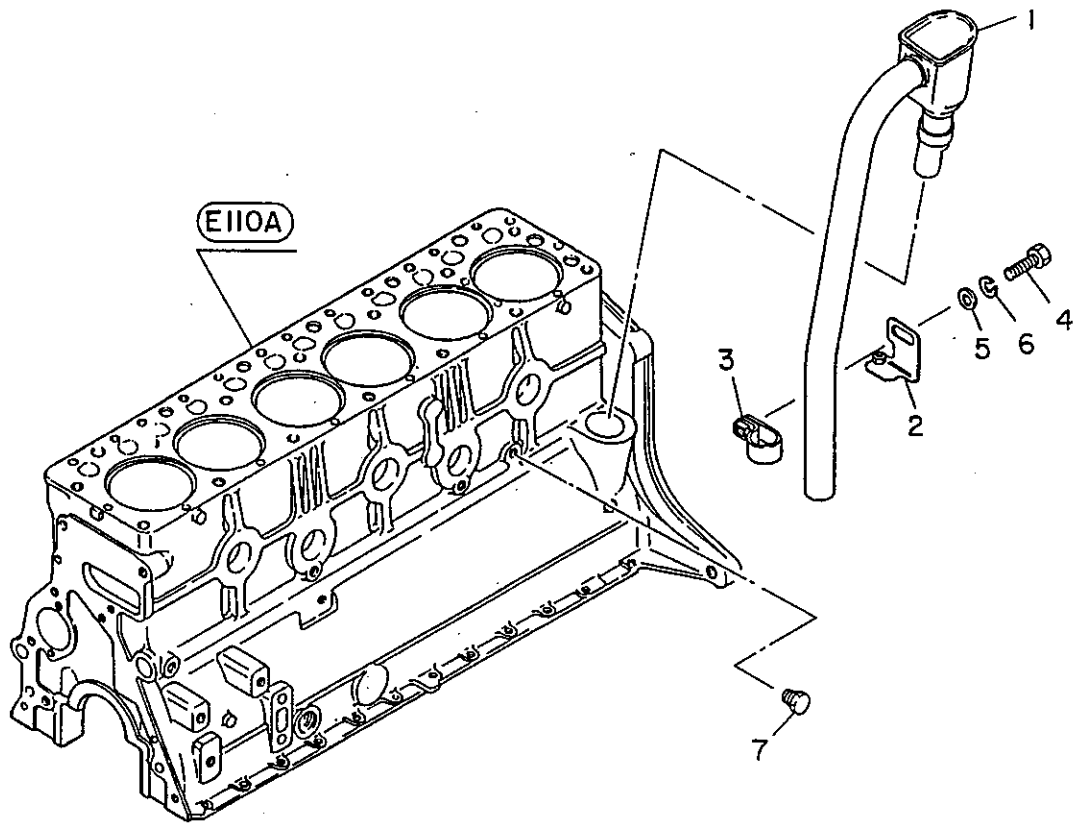
FIG.E110A

Key-No.	Description 部品名称	C O D E	Part Number 部品番号	Quantity Per Section 個数及び適用												I N T	Execution (E/#)	
1- 23	BLOCK ASSY	*	11009-90103	1	.	.	.	.	.	.	.	.	.	.	.	.	.	.
5	BOLT-BEARING CAP		12293-37501	8	.	.	.	.	.	.	.	.	.	.	.	.	.	.
6	PIN-STRAIGHT		01522-05104	1	.	.	.	.	.	.	.	.	.	.	.	.	.	.
7	PLUG-WELCH		01648-00084	9	.	.	.	.	.	.	.	.	.	.	.	.	.	.
8	BUSHING-OIL PUMP		15042-90001	1	.	.	.	.	.	.	.	.	.	.	.	.	.	.
9- 12	BUSHING SET-CAM		13002-90010	1	.	.	.	.	.	.	.	.	.	.	.	.	.	.
13	LINER-CYLINDER		11012-76200	6	.	.	.	.	.	.	.	.	.	.	.	.	.	.
14	PLUG		12123-90001	6	.	.	.	.	.	.	.	.	.	.	.	.	.	.
15	GASKET		01351-22124	6	.	.	.	.	.	.	.	.	.	.	.	.	.	.
16	PLUG-WELCH		11019-90002	1	.	.	.	.	.	.	.	.	.	.	.	.	.	.
17	PLUG-WELCH		00933-11800	4	.	.	.	.	.	.	.	.	.	.	.	.	.	.
18	PLUG-BLIND		00933-20650	1	.	.	.	.	.	.	.	.	.	.	.	.	.	.
19	JET-OIL		13081-76201	1	.	.	.	.	.	.	.	.	.	.	.	.	.	.
20	PIN-STRAIGHT		09929-51400	2	.	.	.	.	.	.	.	.	.	.	.	.	.	.
21	DOWEL-CYLINDER		30412-P5100	3	.	.	.	.	.	.	.	.	.	.	.	.	.	.
22	DOWEL-CYLINDER	*	11018-L1800	1	.	.	.	.	.	.	.	.	.	.	.	.	.	.
23	PLUG		01642-02114	5	.	.	.	.	.	.	.	.	.	.	.	.	.	.
24	PLUG		00931-20610	1	.	.	.	.	.	.	.	.	.	.	.	.	.	.
26	SEAL-OIL	K	12289-14600	2	.	.	.	.	.	.	.	.	.	.	.	.	.	.
27	SEAL-OIL	K	12279-76200	2	.	.	.	.	.	.	.	.	.	.	.	.	.	.

FIG. E110B

CYLINDER BLOCK (FITTING PARTS)

ILLUST TYPE



★印は非販売部品です。  
各々のASS'Yにて御注文下さい。

NOTE: The Mark ★ shown in the Key No. of the figure is not for sale individually. Please place an order as each Assembly.



CYLINDER BLOCK (FITTING PARTS)											FIG. E1108							
Key-No.	Description 部品名称	C O D E	Part Number 部品番号	Quantity Per Section 個数及び適用								IN T	Execution ( E/# )					
1	BREATHER		15262-90060	1	.	.	.	.	.	.	.	.	.	.	.	.	.	.
2	BRACKET-BREATHER		21219-90209	1	.	.	.	.	.	.	.	.	.	.	.	.	.	.
3	CLAMP		21070-90005	1	.	.	.	.	.	.	.	.	.	.	.	.	.	.
4	BOLT		08110-82010	1	.	.	.	.	.	.	.	.	.	.	.	.	.	.
5	WASHER-PLAIN		08915-43810	1	.	.	.	.	.	.	.	.	.	.	.	.	.	.
6	WASHER-SPRING		08915-13810	1	.	.	.	.	.	.	.	.	.	.	.	.	.	.
7	PLUG-TPR THD		08931-30410	1	.	.	.	.	.	.	.	.	.	.	.	.	.	.
10	COVER-BLOCK		21310-90009	1	.	.	.	.	.	.	.	.	.	.	.	.	.	.
11	GASKET	K	21307-61520	1	.	.	.	.	.	.	.	.	.	.	.	.	.	.
12	BOLT,W/WASHER		08110-82062	10	.	.	.	.	.	.	.	.	.	.	.	.	.	.
13	PLUG		17307-76201	1	.	.	.	.	.	.	.	.	.	.	.	.	.	.
14	GASKET	K	21331-76201	1	.	.	.	.	.	.	.	.	.	.	.	.	.	.
15	SWITCH ASSY-OIL		25240-89902	1	.	.	.	.	.	.	.	.	.	.	.	.	.	.
16	PLUG-SCREW		01642-02114	1	.	.	.	.	.	.	.	.	.	.	.	.	.	.