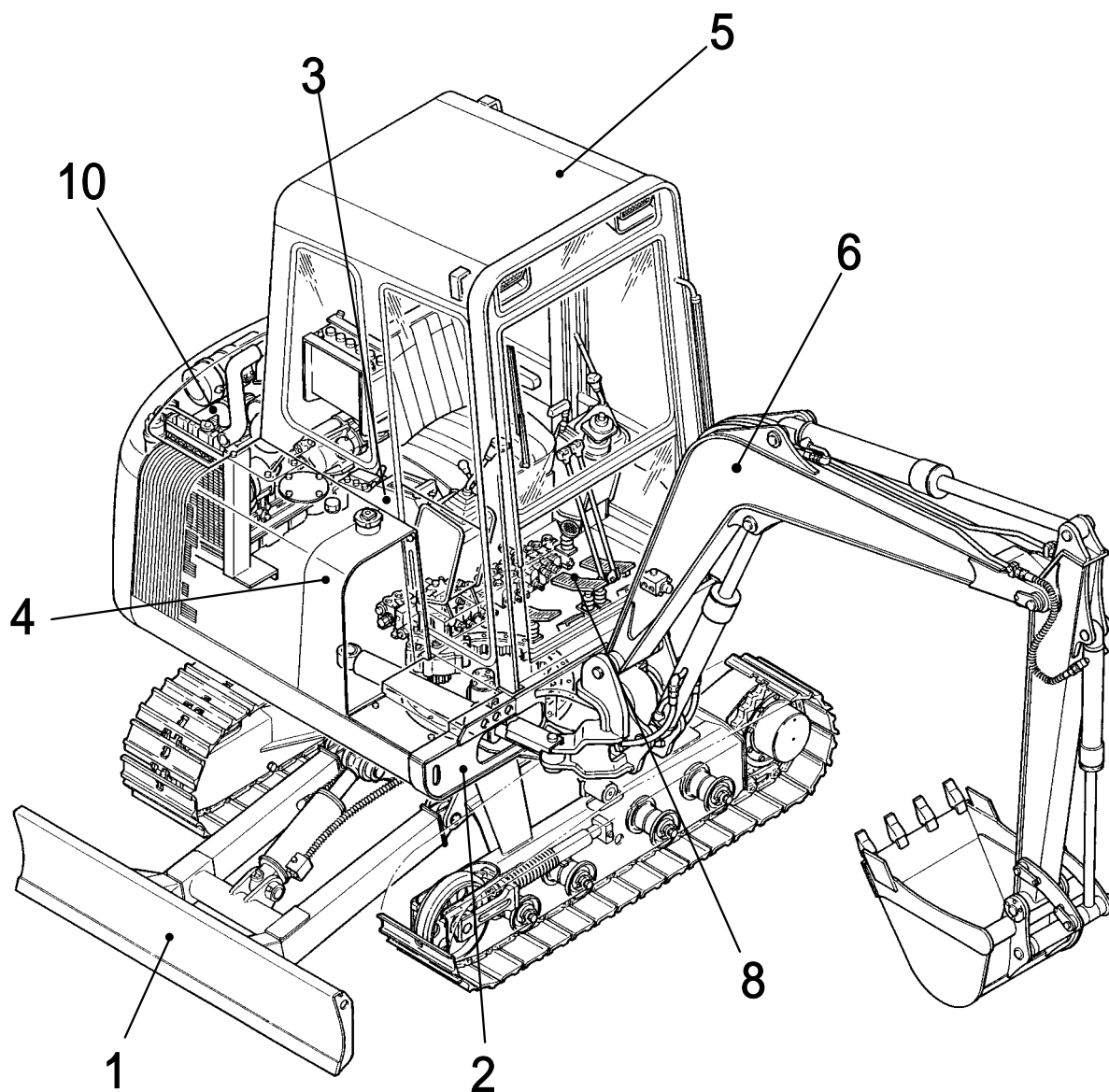


TB035 Book No.PG3-102Z5 S/N 1355001-1358193

TB035

Book No.PG3-102Z5

Serial No. 1355001-1358193



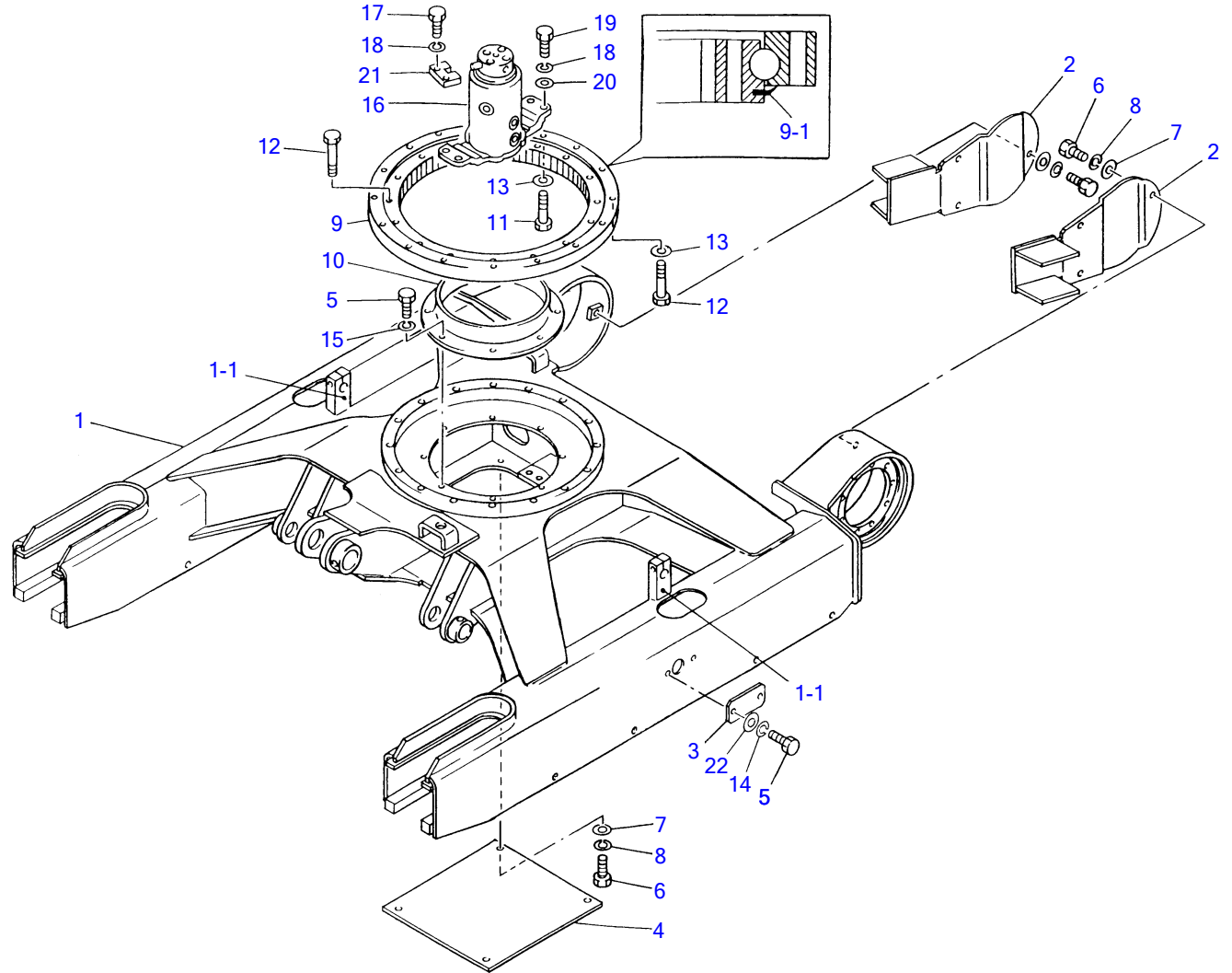
TAKEUCHI

Reference Index

1° - 0

Item	Part number	Description	Index				Remarks
			Q'ty	Chan.	Serial No.	Serv.	
1		UNDERCARRIAGE					
2		TURNTABLE & CONTROL LEVER					
3		ENGINE & ELECTRICAL SYSTEM					
4		HYDRAULIC PIPNG & TANK					
5		COVER & CAB					
6		HOE ATTACHMENT					
7		DECAL & TOOL					
8		HYDRAULIC DEVICE					
10		ENGINE(3TN84TL-RTBY)					

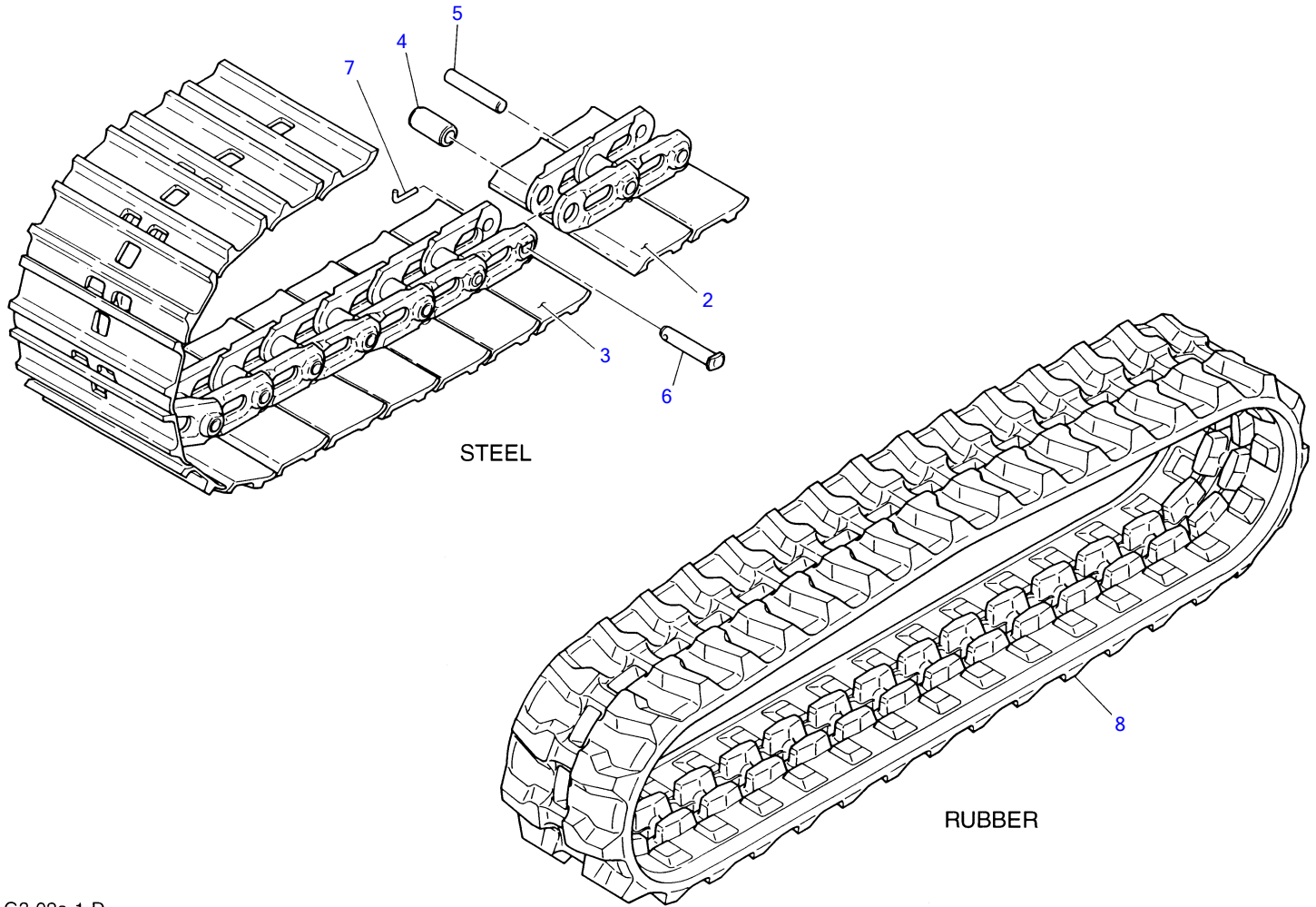
TB035 Book No.PG3-102Z5 S/N 1355001-1358193
LOWER FRAME



G3-01a-3-D

LOWER FRAME						
Item	Part number	Description	Q'ty	Chan.	Serial No.	Serv. Remarks
Item	Part number	Description	?	Chan.	SerialNo.	Remarks
1	X 0371001100	FRAME	1			
1-1	0471000900	• BRACKET	2			
2	0471001400	COVER	2			
3	0341004000	COVER	2			
4	0431003600	COVER	1			
5	1100040816	BOLT	12			
6	1100041020	BOLT	10			
7	1141110010	WASHER	10			
8	1140020010	WASHER, spring	10			
9	1913003700	BEARING, slew	1			
9-1	1913003709	• SEAL	1			
10	0432300100	BATH	1			
11	0352000100	BOLT	1			
12	1101051265	BOLT	31			
13	1141540012	WASHER	16			
14	1140020008	WASHER, spring	4			
15	1140020008	WASHER, spring	8			
16	1904005900	JOINT, swivel	1			
17	1101041230	BOLT	2			
18	1140020012	WASHER, spring	6			
19	1101041235	BOLT	4			
20	1141110012	WASHER	4			
21	0442100100	PLATE	1			
22	1141110008	WASHER	4			
	G301a3L					

TB035 Book No.PG3-102Z5 S/N 1355001-1358193
CRAWLER BELT

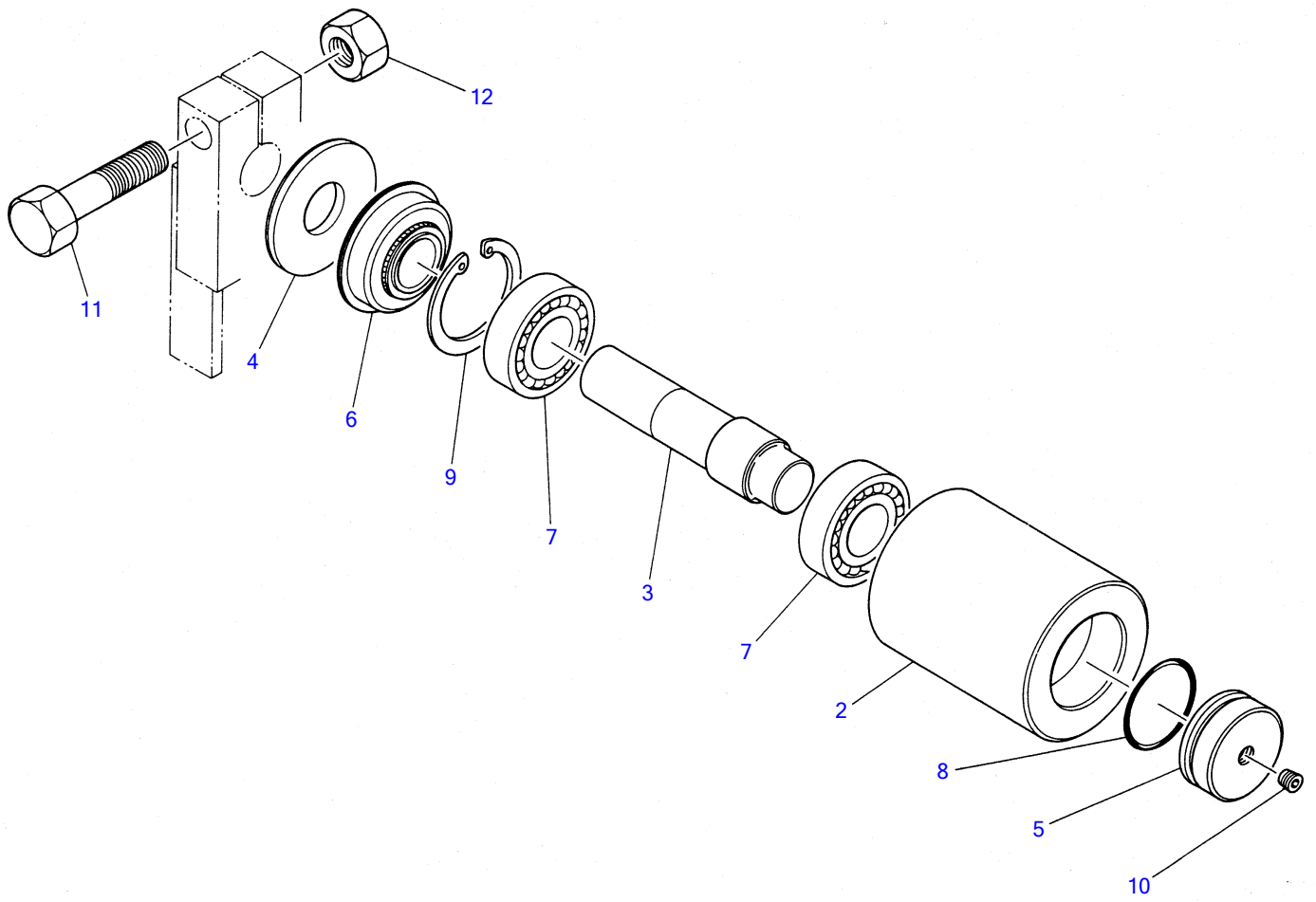


G3-02a-1-D

CRAWLER BELT

Item	Part number	Description	Q'ty	Chan.	Serial No.	Serv.	Remarks
1	1914054100	BELT ASSY, steel crawler	2				
2	1914054013	▪ PLATE ASSY	42				
3	1914054114	▪ PLATE ASSY, master	1				
4	1914008205	▪ BUSHING	43				
5	1914008209	▪ PIN, track	42				
6	1914008210	▪ PIN, master	1				
7	1914008211	▪ PIN	1				
8	1914068000	BELT, rubber crawler	2		1355001~1357527		
	1914068300	BELT, rubber crawler	2	(H)	1357528~		short pitch
	G302a3L						

TB035 Book No.PG3-102Z5 S/N 1355001-1358193
CARRIER ROLLER

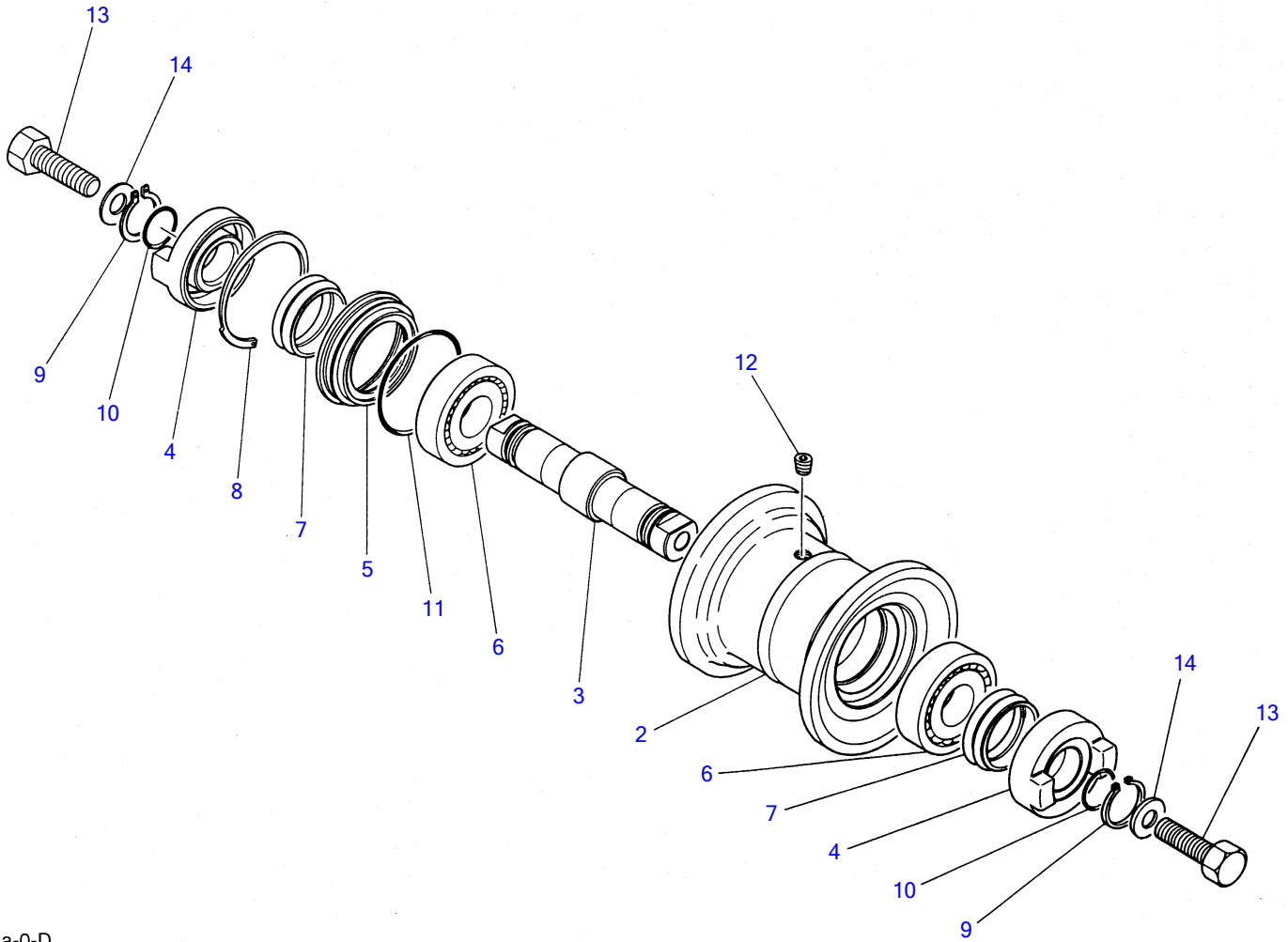


Z3-03a-0-D

CARRIER ROLLER

Item	Part number	Description	Q'ty	Chan.	Serial No.	Serv.	Remarks
1	0431200500	ROLLER ASSY	2				
2	0431200100	• ROLLER	1				
3	0431200200	• SHAFT	1				
4	0431200300	• COVER	1				
5	0431200400	• COVER	1				
6	1431202552	• SEAL	1				
7	1300006205	• BEARING	2				
8	1420100400	• O-RING	1				
9	1221000052	• RING, snap	1				
10	1501810001	• PLUG	1				
11	1100051060	BOLT	2				
12	1130050010	NUT	2				
	G303a2L						

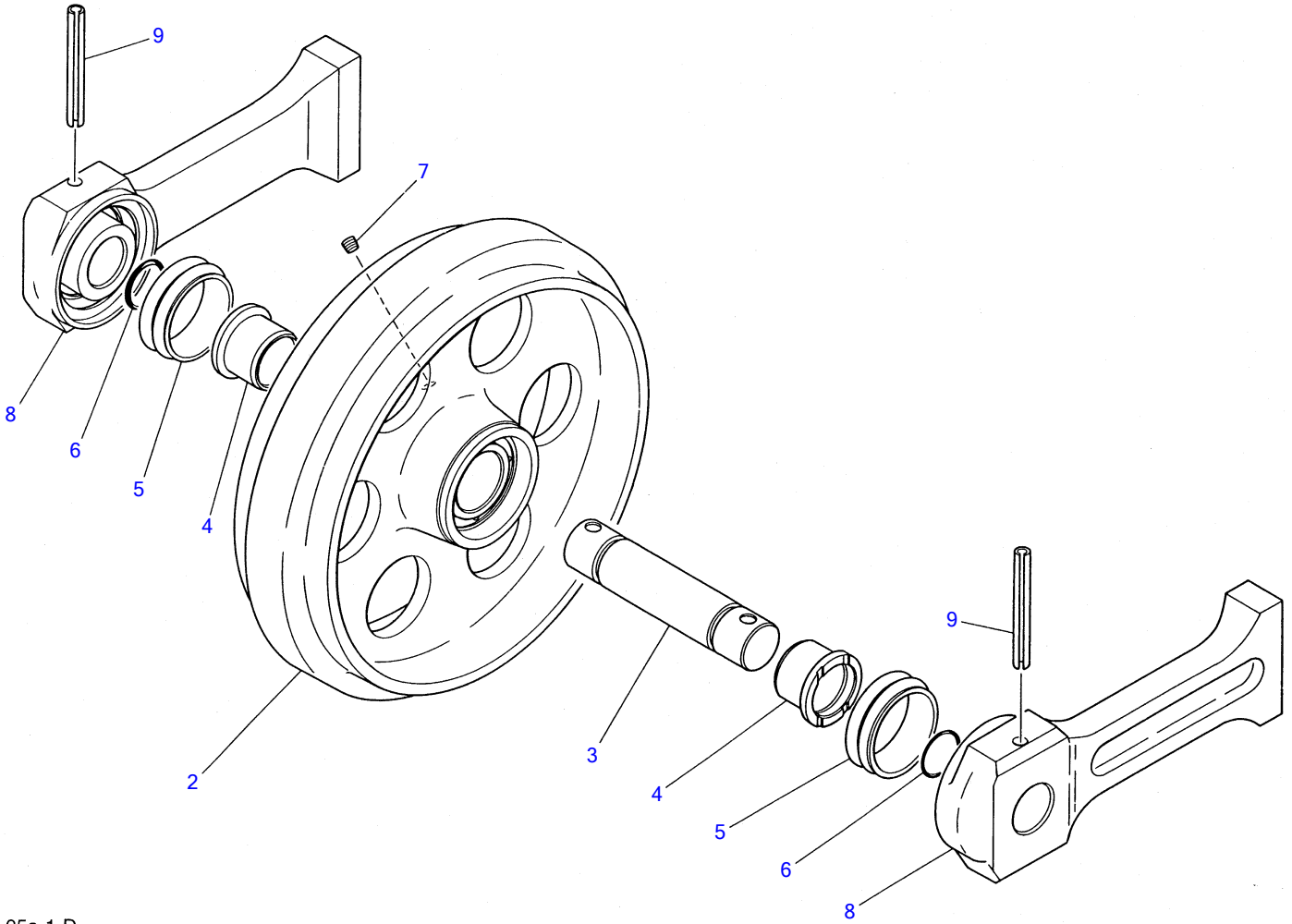
TB035 Book No.PG3-102Z5 S/N 1355001-1358193
TRACK ROLLER



Z3-04a-0-D

TRACK ROLLER						
Item	Part number	Description	Q'ty	Chan.	Serial No.	Serv. Remarks
1	0431300500	ROLLER ASSY	8			
2	0431300100	• ROLLER	1			
3	0431300200	• SHAFT	1			
4	0431300300	• COVER	2			
5	0431300400	• RETAINER	1			
6	1300006306	• BEARING	2			
7	1432500450	• SEAL, floating	2			
8	1222015080	• RING, seeger	1			
9	1220000030	• RING, snap	2			
10	1420700250	• O-RING	2			
11	1420700700	• O-RING	1			
12	1501810001	• PLUG	1			
13	1101051450	BOLT	16			
14	1141540014	WASHER	16			
	F304a0L					

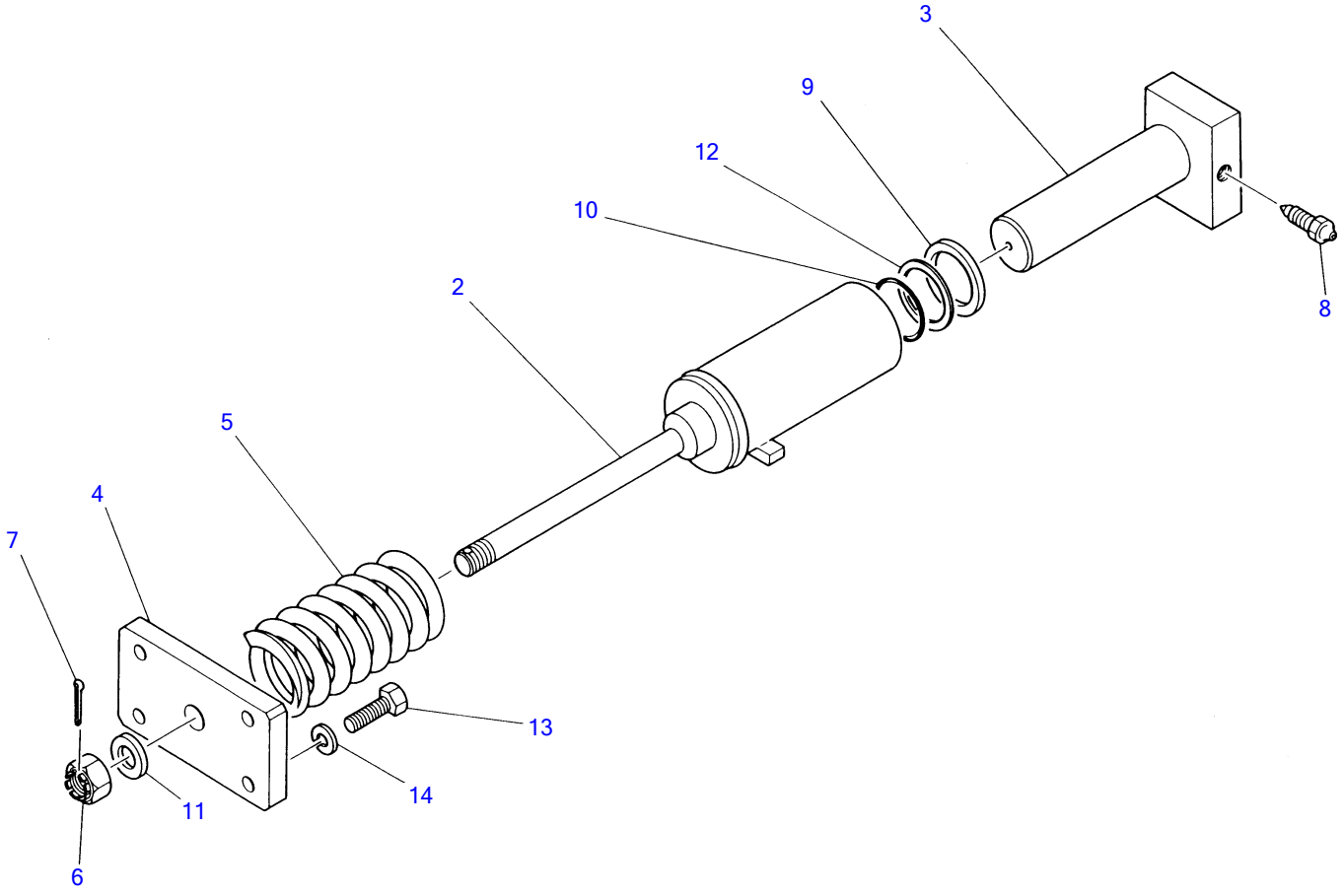
TB035 Book No.PG3-102Z5 S/N 1355001-1358193
FRONT IDLER



E3-05a-1-D

Item	Part number	Description	FRONT IDLER				Remarks
			Q'ty	Chan.	Serial No.	Serv.	
1	0431490010	IDLER ASSY, front	2				
2	0431401100	▪ IDLER	1				
3	0431400300	▪ SHAFT	1				
4	0431400600	▪ BUSHING	2				
5	1432500560	▪ SEAL, floating	2				
6	1420700300	▪ O-RING	2				
7	1501820001	▪ PLUG	1				
8	0431400500	▪ SLIDE	2				old type
	0351400100	▪ SLIDE	2	(H)			new type
9	1213001090	▪ PIN, spring	2				
	E305a4L						

TB035 Book No.PG3-102Z5 S/N 1355001-1358193
TRACK ADJUSTER

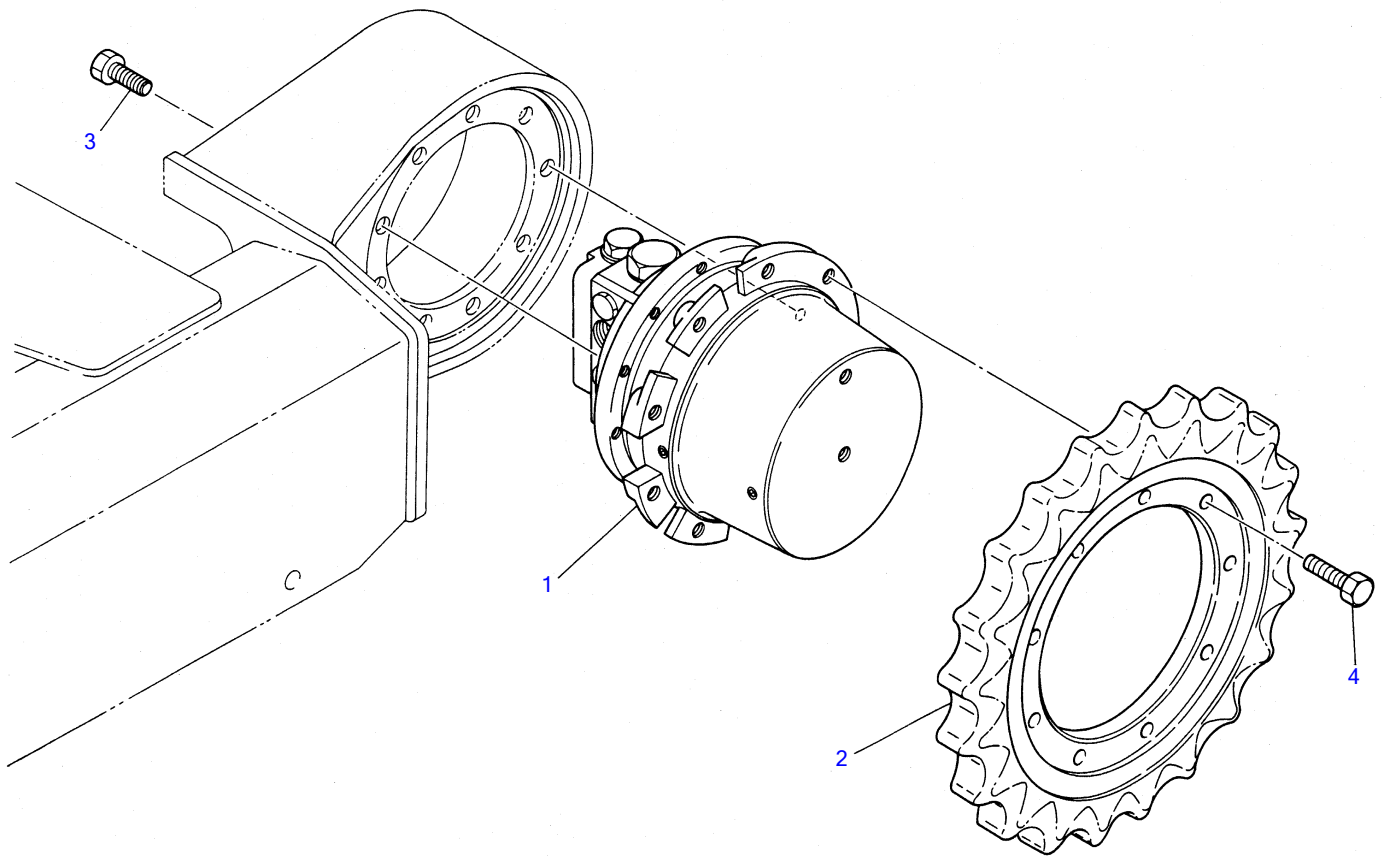


G3-06a-0-D

TRACK ADJUSTER

Item	Part number	Description	Q'ty	Chan.	Serial No.	Serv.	Remarks
1	0441502100	CUSHION ASSY	2				
2	0441502200	▪ CYLINDER, grease	1				
3	0441502300	▪ PISTON	1				
4	0431500300	▪ PLATE	1				
5	0007000004	▪ SPRING	1				
6	1132030020	▪ NUT	1				
7	1210000440	▪ PIN, split	1				
8	1541300501	▪ VALVE	1				
9	1400402640	▪ SEAL, oil	1				
10	1420010450	▪ O-RING	1				
11	1141540020	▪ WASHER	1				
12	1421020450	▪ RING, back-up	1				
13	1101051240	BOLT	8				
14	1140010012	WASHER, spring	8				
	G306a1L						

TB035 Book No.PG3-102Z5 S/N 1355001-1358193
TRAVEL DEVICE

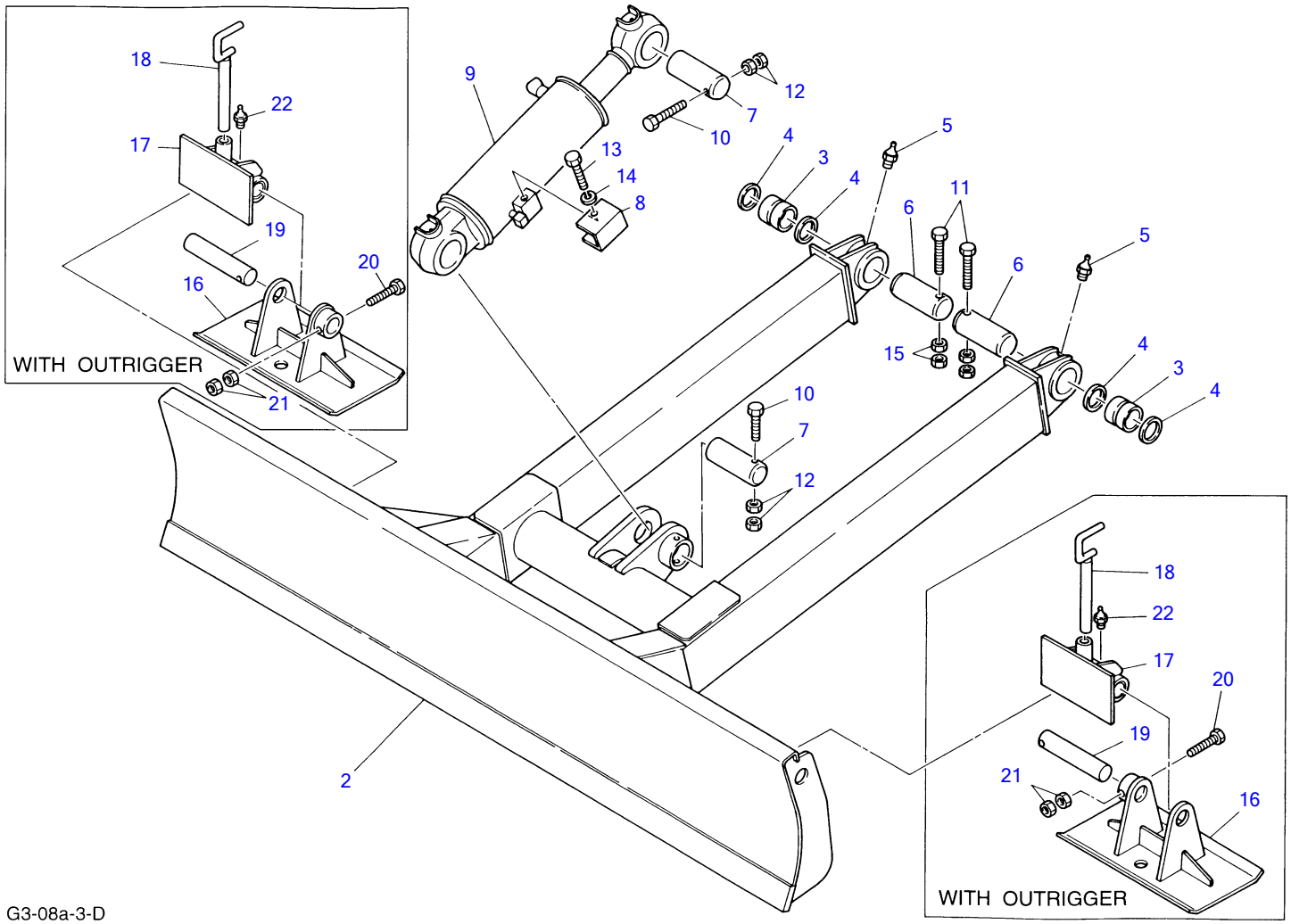


Z3-07a-1-D

TRAVEL DEVICE

Item	Part number	Description	Q'ty	Chan.	Serial No.	Serv.	Remarks
1	1903108300	MOTOR ASSY	2				with P.B.
	1903108600	MOTOR ASSY	2				without P.B.
2	0271600100	SPROCKET	2				
3	1100251230	BOLT	18				
4	1100251235	BOLT	18				
	G307a3L						

TB035 Book No.PG3-102Z5 S/N 1355001-1358193
DOZER BLADE



G3-08a-3-D

DOZER BLADE						
Item	Part number	Description	Q'ty	Chan.	Serial No.	Serv. Remarks
1	0376301100	BLADE ASSY	1			
2	X 0376301200	· BLADE	1			
3	0002200012	· BUSHING	2			
4	1432200040	SEAL, dust	4			
5	1560001000	NIPPLE, grease	2			
6	0001603125	PIN	2			
7	0001606140	PIN	2			
8	0426300400	COVER	1			
9	1900055100	CYLINDER, blade	1			
10	1103141200	BOLT	2			
11	1103041080	BOLT	2			
12	1130240012	NUT	4			
13	1100040860	BOLT	1			
14	1140020008	WASHER, spring	1			
15	1130240010	NUT	4			
16	0436301100	OUTRIGGER	2			with outrigger
17	0446303100	BRACKET	2			with outrigger
18	0436301300	PIN	2			with outrigger
19	0011501145	PIN	2			with outrigger
20	1103040865	BOLT	2			with outrigger
21	1130240008	NUT	4			with outrigger
22	1560001000	NIPPLE, grease	2			with outrigger
	G308a6L					

PIPING; LOWER

