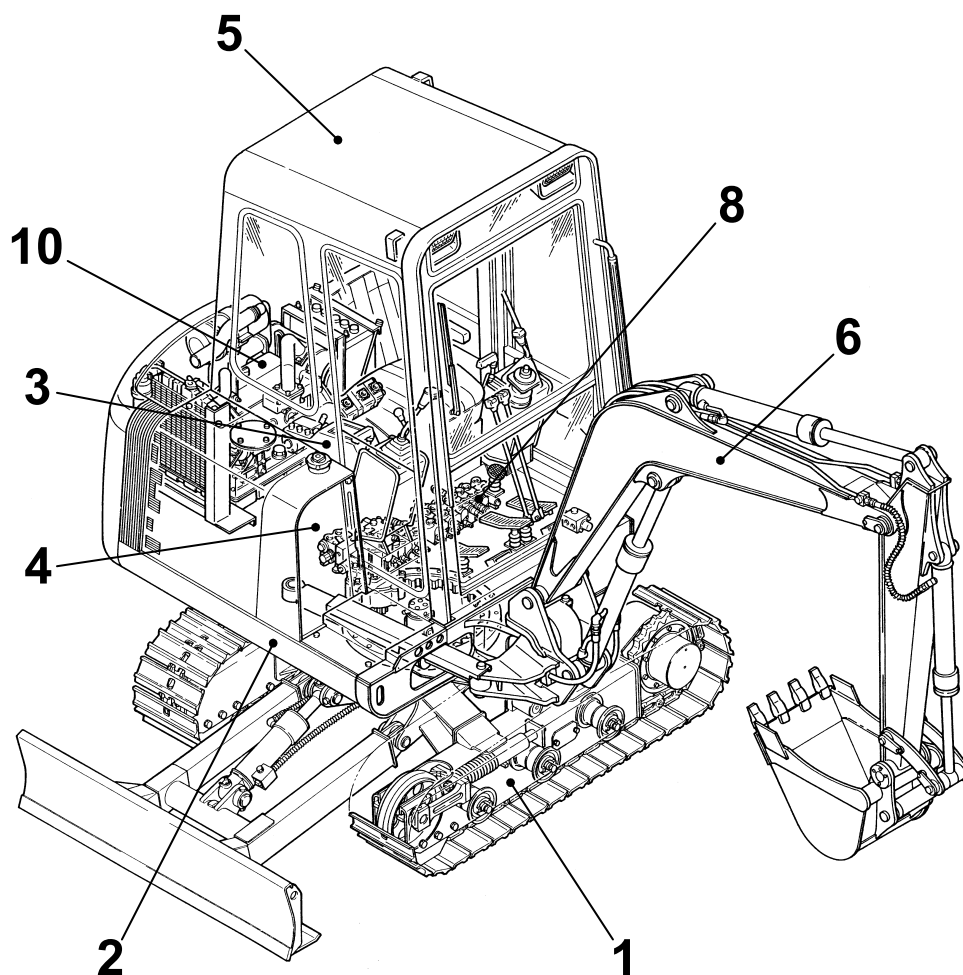


TB025

Book No.PE3-102Z5

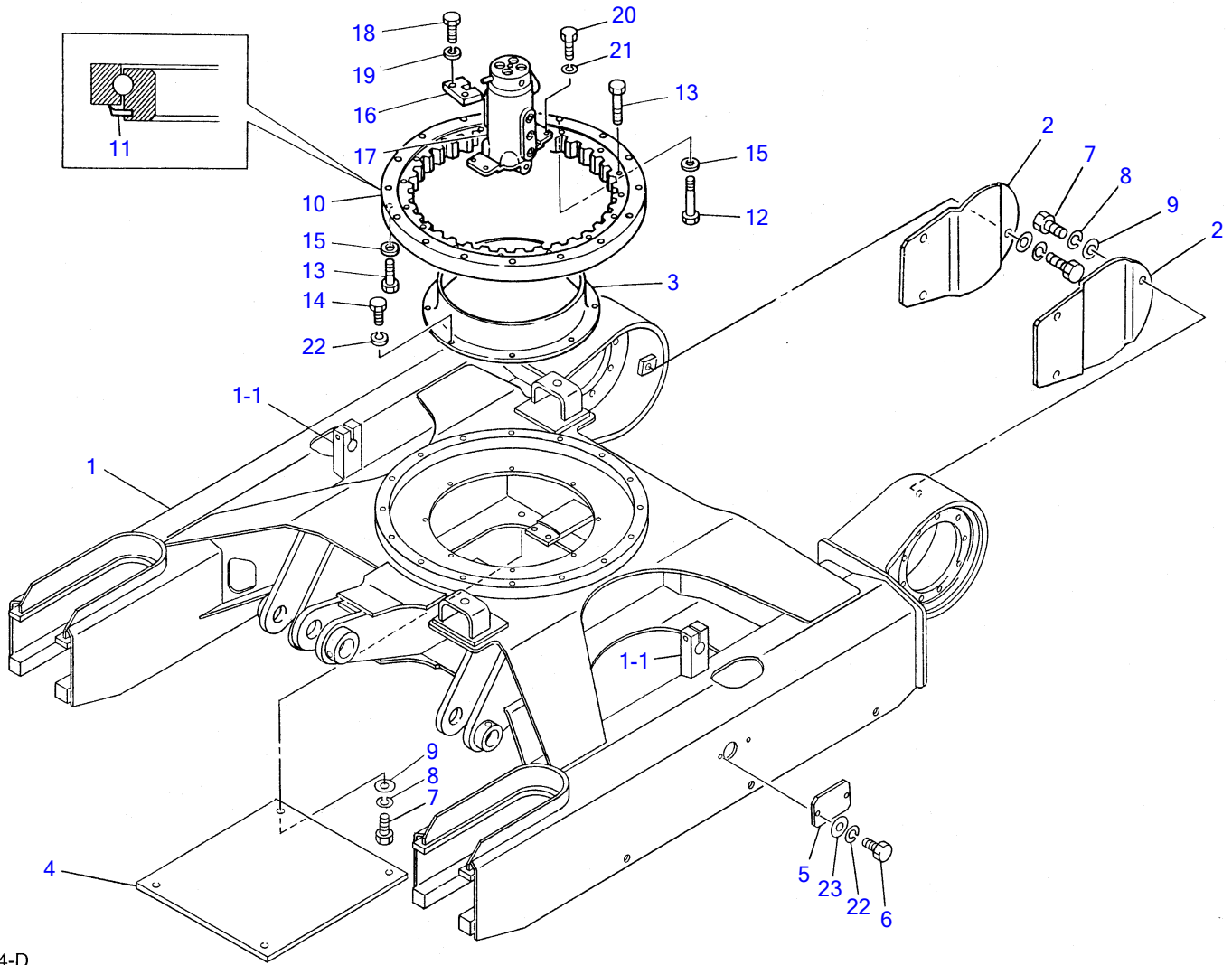
Serial No. 1255001-1258249



TAKEUCHI

			Index						
Item	Part number	Description		Q'ty	Chan.	Serial No.	Serv.	Remarks	
1		UNDERCARRIAGE							
2		TURNTABLE & CONTROL LEVER							
3		ENGINE & ELECTRICAL SYSTEM							
4		HYDRAULIC PIPNG & TANK							
5		COVER & CAB							
6		HOE ATTACHMENT							
7		DECAL & TOOL							
8		HYDRAULIC DEVICE							
10		ENGINE(3TN84L-RTBZ)							
		ENGINE(3TNE84-TBZ/TBY)							
		2008.1.24							
99		KITS, ATTACHMENTS & QUICK REFERENCE							

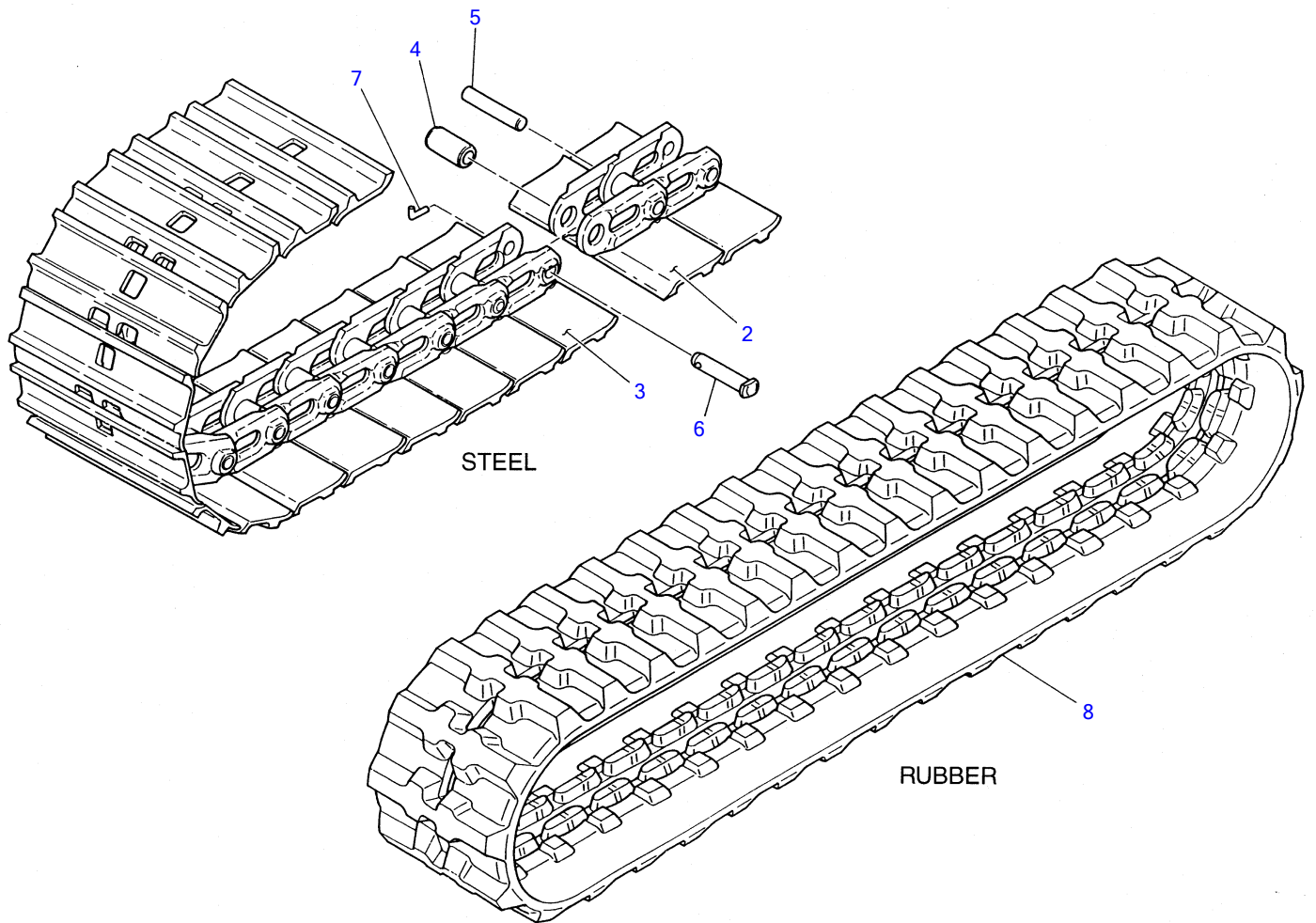
TB025 Book No.PE3-102Z4 S/N1255001-1258249
LOWER FRAME



E3-01a-4-D

LOWER FRAME						
Item	Part number	Description	Q'ty	Chan.	Serial No.	Serv. Remarks
1	X 0351001100	FRAME	1			
1-1	0471000900	• BRACKET	1			
2	0471001400	COVER	2			
3	0432300100	BATH, grease	1			
4	0431003600	COVER	1			
5	0341004000	COVER	2			
6	1100040816	BOLT	4			
7	1100041016	BOLT	10			
8	1140020010	WASHER, spring	10			
9	1141110010	WASHER	10			
10	1913003600	BEARING, slew	1			
11	1913003609	• SEAL	1			
12	0352000100	BOLT	1			
13	1101051265	BOLT	31			
14	1100040816	BOLT	8			
15	1141540012	WASHER	16			
16	0072100100	PLATE	1			
17	1904006400	JOINT, swivel	1			
18	1101051225	BOLT	2			
19	1140020012	WASHER, spring	2			
20	1100040825	BOLT	4			
21	1140020008	WASHER, spring	4			
22	1140020008	WASHER, spring	12			
23	1141110008	WASHER	4			
	E301a4L					

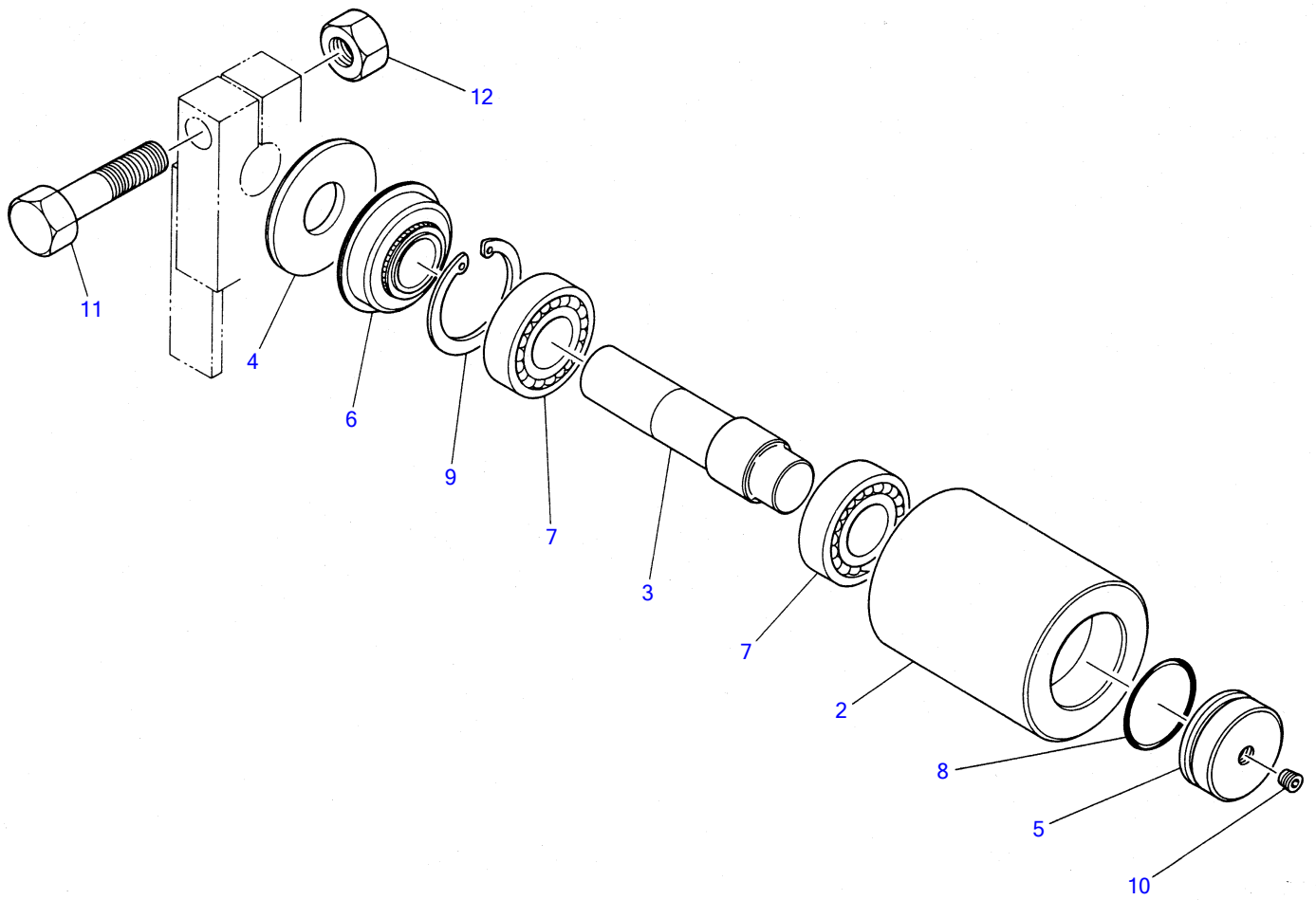
TB025 Book No.PE3-102Z4 S/N1255001-1258249
CRAWLER BELT



E3-02a-2-D

CRAWLER BELT							
Item	Part number	Description	Q'ty	Chan.	Serial No.	Serv.	Remarks
1	1914053200	CRAWLER BELT ASSY (steel)	2				
2	1914053013	▪ PLATE ASSY	38				
3	1914053214	▪ PLATE ASSY, master	1				
4	1914008205	▪ BUSHING	39				
5	1914008209	▪ PIN, track	38				
6	1914008210	▪ PIN, master	1				
7	1914008211	▪ PIN, coter	1				
8	1914067000	CRAWLER BELT (rubber)	2		1255001~1257556		
	1914067400	CRAWLER BELT (rubber)	2	(H)	1257557~		short pitch
	E302a3L						

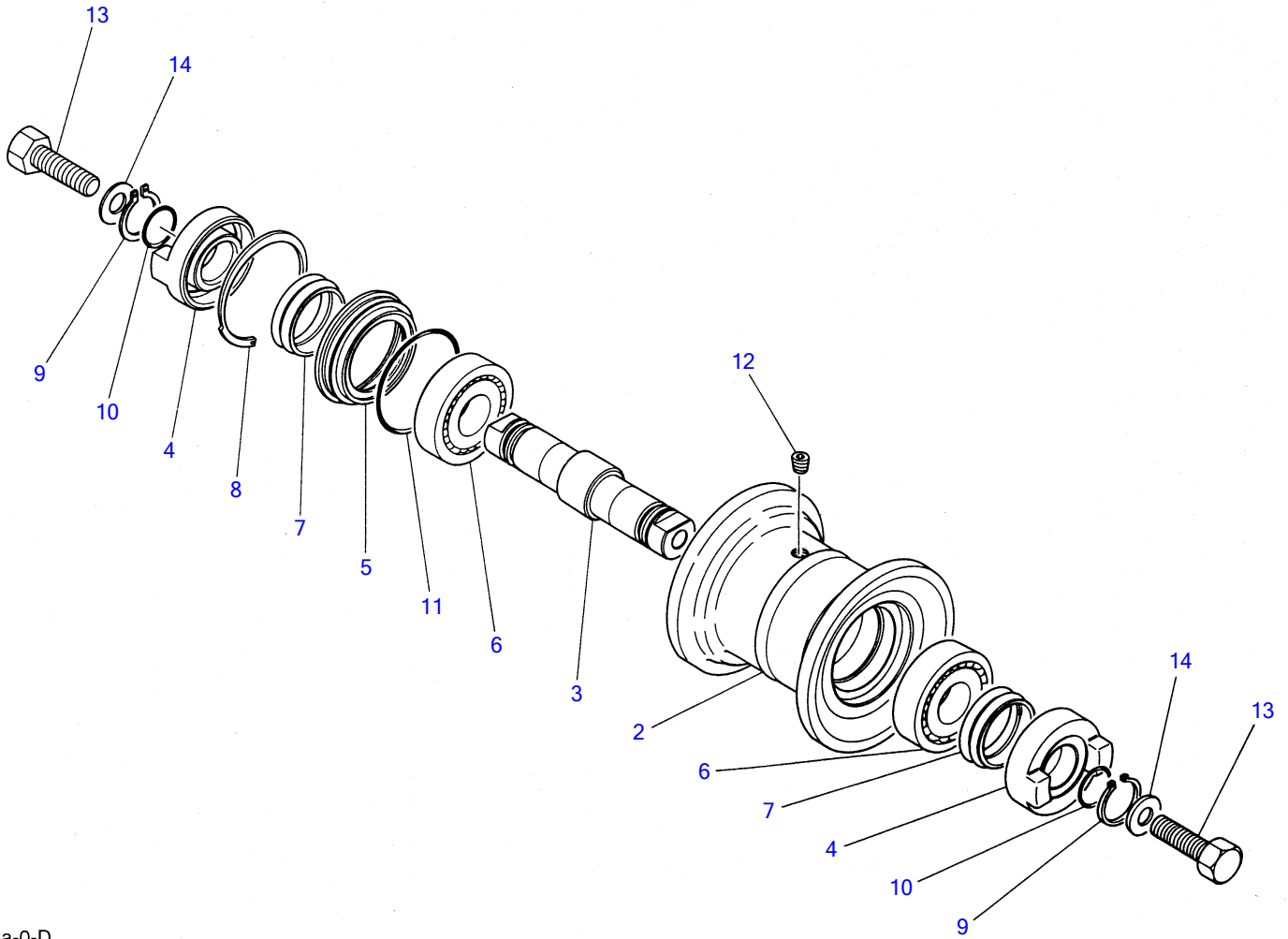
TB025 Book No.PE3-102Z4 S/N1255001-1258249
CARRIER ROLLER



Z3-03a-0-D

CARRIER ROLLER						
Item	Part number	Description	Q'ty	Chan.	Serial No.	Serv. Remarks
1	0431200500	ROLLER ASSY	2			
2	0431200100	• ROLLER	1			
3	0431200200	• SHAFT	1			
4	0431200300	• COVER	1			
5	0431200400	• COVER	1			
6	1431202552	• SEAL	1			
7	1300006205	• BEARING	2			
8	1420100400	• O-RING	1			
9	1221000052	• RING, snap	1			
10	1501810001	• PLUG	1			
11	1100051060	BOLT	2			
12	1130050010	NUT	2			
	E303a2L					

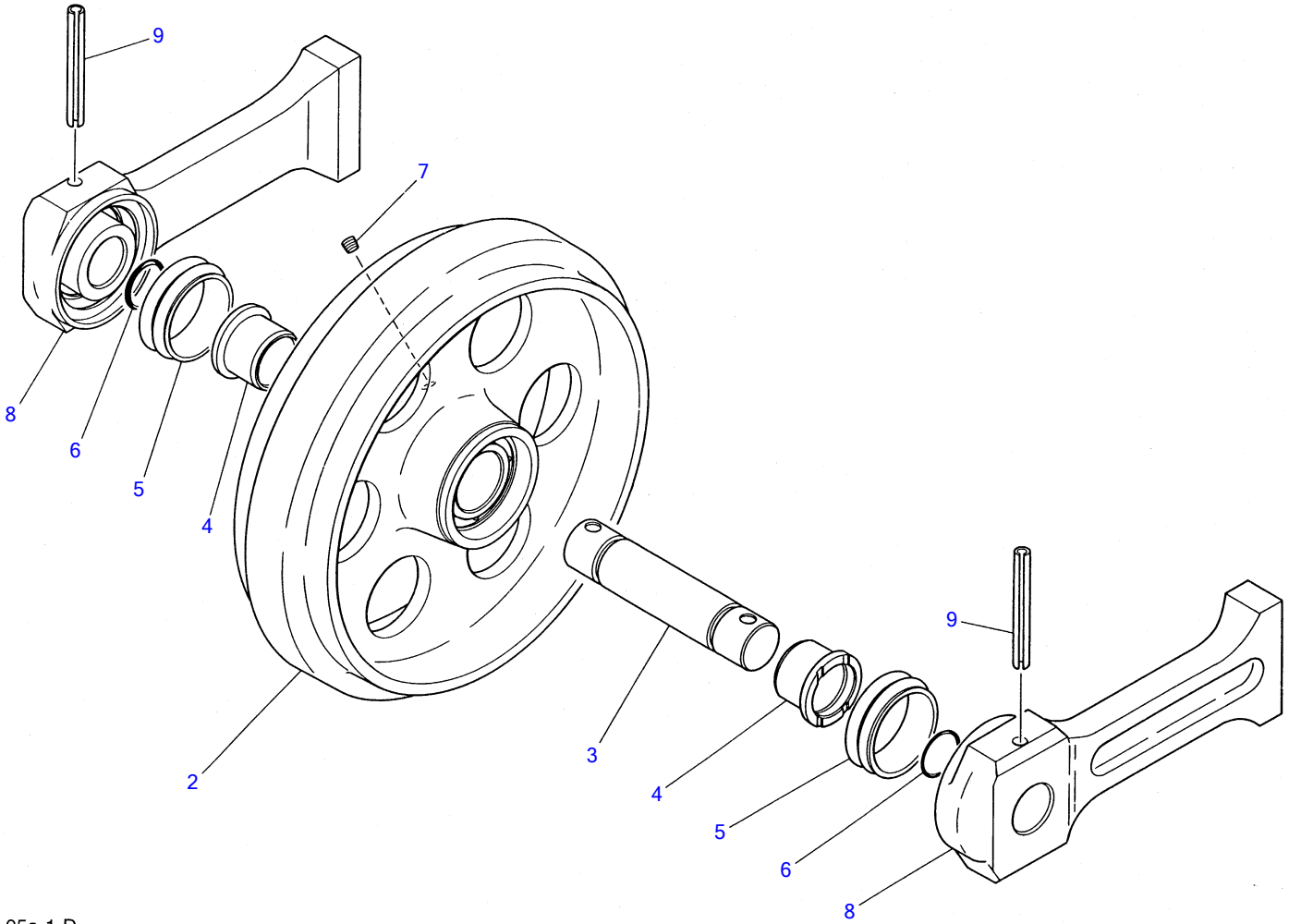
TB025 Book No.PE3-102Z4 S/N1255001-1258249
TRACK ROLLER



Z3-04a-0-D

TRACK ROLLER						
Item	Part number	Description	Q'ty	Chan.	Serial No.	Serv. Remarks
1	0431300500	ROLLER ASSY	6			
2	0431300100	• ROLLER	1			
3	0431300200	• SHAFT	1			
4	0431300300	• COVER	2			
5	0431300400	• RETAINER	1			
6	1300006306	• BEARING	2			
7	1432500450	• SEAL, floating	2			
8	1222015080	• RING, seeger	1			
9	1220000030	• RING, snap	2			
10	1420700250	• O-RING	2			
11	1420700700	• O-RING	1			
12	1501810001	• PLUG	1			
13	1101051450	BOLT	12			
14	1141540014	WASHER	12			
	E304a0L					

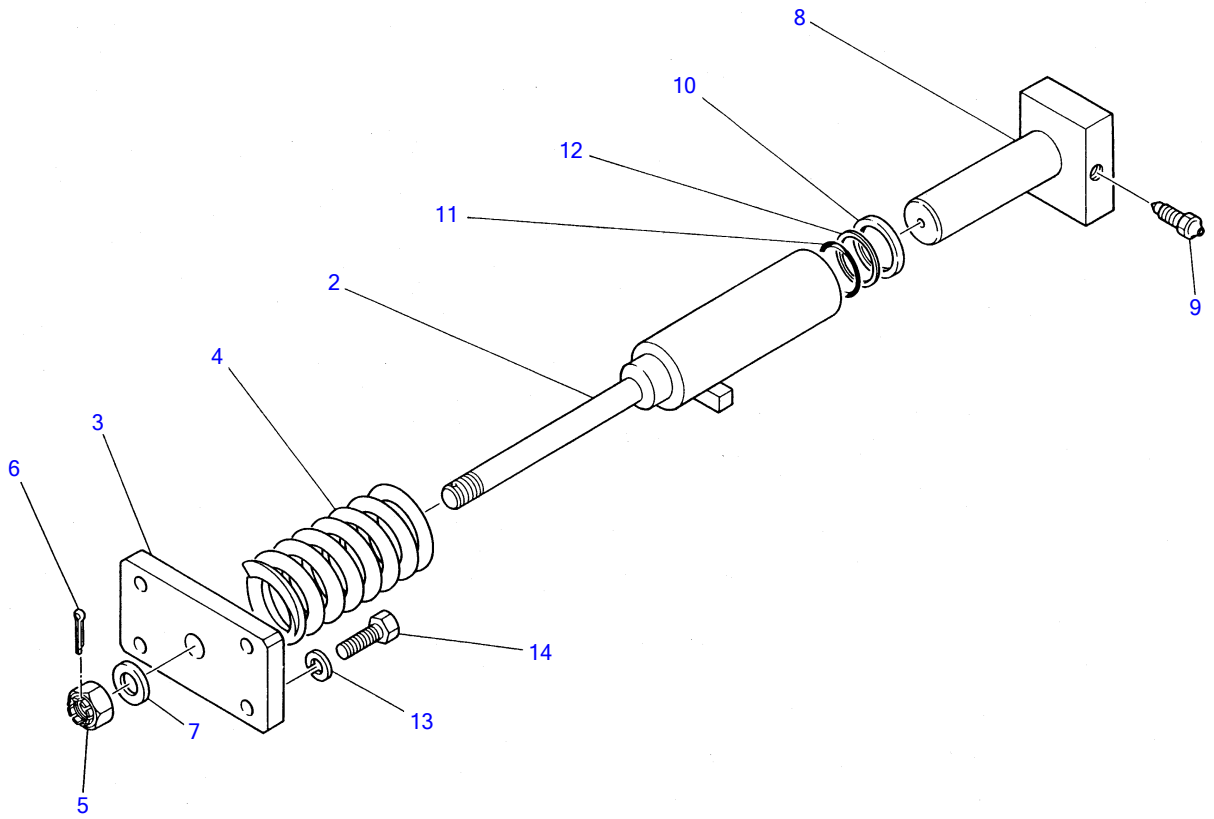
TB025 Book No. PE3-102Z4 S/N1255001-1258249
FRONT IDLER



E3-05a-1-D

Item	Part number	Description	FRONT IDLER				Remarks
			Q'ty	Chan.	Serial No.	Serv.	
1	0431490010	IDLER ASSY, front	2				
2	0431401100	▪ IDLER	1				
3	0431400300	▪ SHAFT	1				
4	0431400600	▪ BUSHING	2				
5	1432500560	▪ SEAL, floating	2				
6	1420700300	▪ O-RING	2				
7	1501820001	▪ PLUG	1				
8	0431400500	▪ SLIDE	2				old type
8-1	0351400100	▪ SLIDE	2	(H)			new type
9	1213001090	▪ PIN, spring	2				
	E305a4L						

TB025 Book No.PE3-102Z4 S/N1255001-1258249
TRACK ADJUSTER

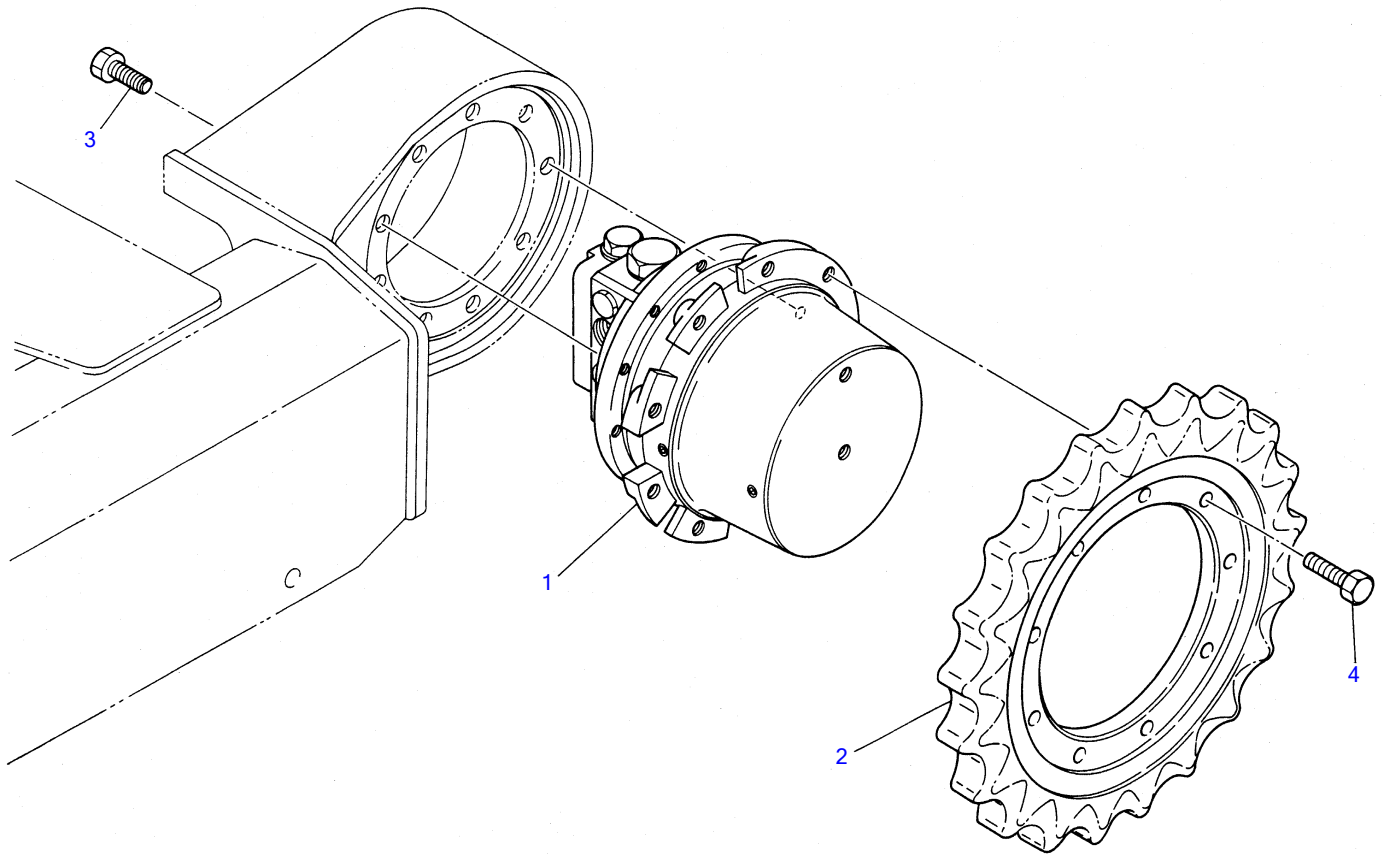


E3-06a-0-D

TRACK ADJUSTER

Item	Part number	Description	Q'ty	Chan.	Serial No.	Serv.	Remarks
1	0431501100	CUSHION ASSY	2				
2	0431501200	· CYLINDER	1		1255001~1255976		
	0431501400	· CYLINDER	1	(H)	1255977~		
3	0431500300	· PLATE	1				
4	0161506100	· SPRING	1				
5	1132030020	· NUT	1				
6	1210000440	· PIN, split	1				
7	1141540020	· WASHER	1				
8	0431501300	· PISTON	1				
9	1541300501	· VALVE ASSY	1				
10	1400402340	· SEAL, oil	1				
11	1420010400	· O-RING	1				
12	1421020400	· RING, back-up	1				
13	1140010020	WASHER, spring	8				
14	1101051240	BOLT	8				
	E306a2L						

TB025 Book No. PE3-102Z4 S/N1255001-1258249
TRAVEL DEVICE

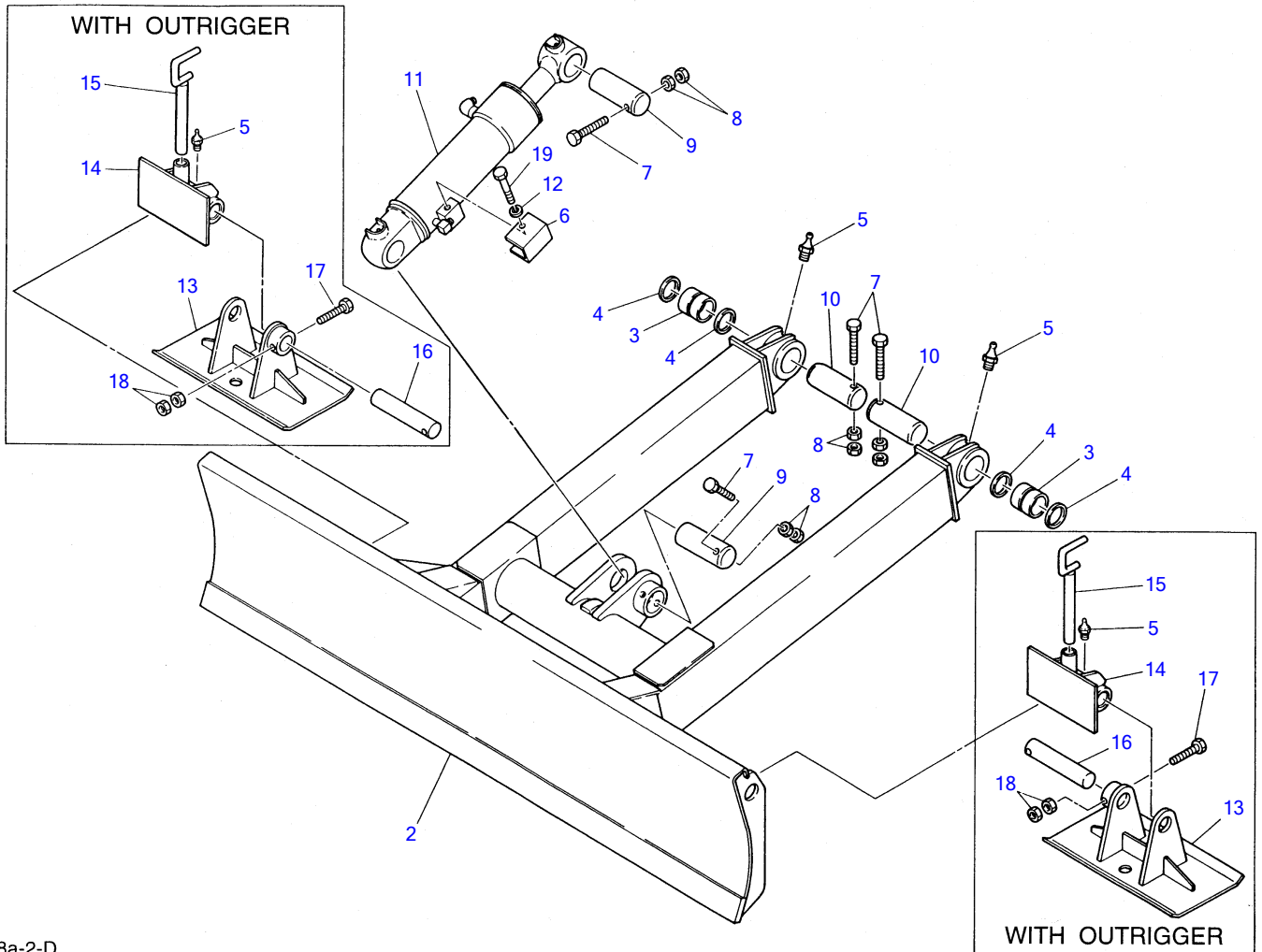


Z3-07a-1-D

TRAVEL DEVICE

Item	Part number	Description	Q'ty	Chan.	Serial No.	Serv.	Remarks
1	1903108100	MOTOR ASSY	2				with P. B.
	1903108400	MOTOR ASSY	2				without P. B.
2	0271600100	SPROCKET	2				
3	1100051230	BOLT	18				
4	1100051235	BOLT	18				
	E307a2L						

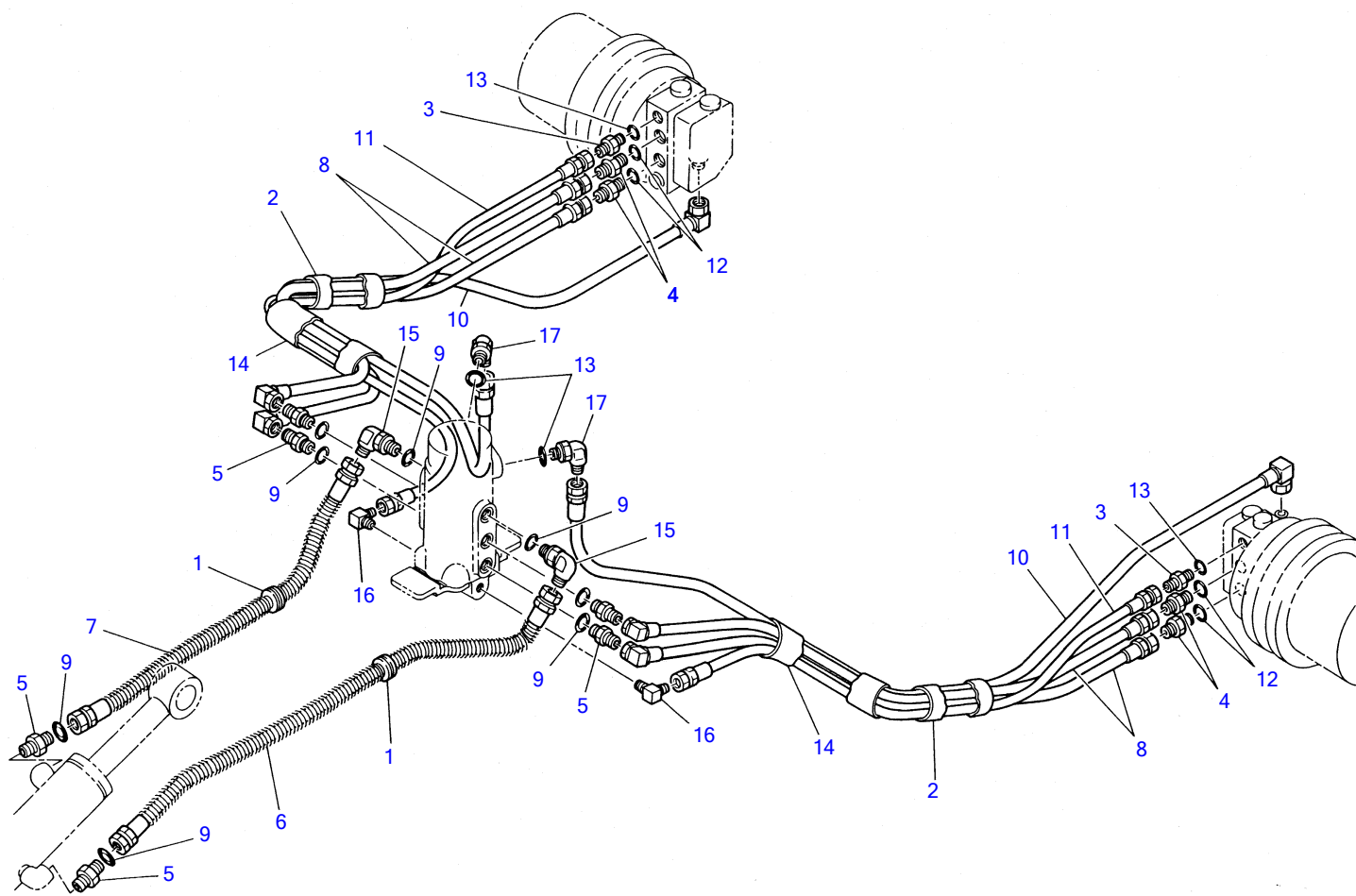
TB025 Book No.PE3-102Z4 S/N1255001-1258249
DOZER BLADE



E3-08a-2-D

DOZER BLADE						
Item	Part number	Description	Q'ty	Chan.	Serial No.	Serv. Remarks
1	0436305100	BLADE ASSY	1			
2	X 0436305200	· BLADE	1			
3	0002200012	· BUSHING	2			
4	1432200040	SEAL, dust	4			
5	1560001000	NIPPLE, grease	2			
	1560001000	NIPPLE, grease	4			with outrigger
6	0426300400	COVER	1			
7	1103041085	BOLT	4			
8	1130240010	NUT	8			
9	0001604120	PIN	2			
10	0001603125	PIN	2			
11	1900052700	CYLINDER, blade	1			
12	1140020008	WASHER, spring	1			
13	0436301100	OUTRIGGER	2			with outrigger
14	0446303100	BRACKET	2			with outrigger
15	0436301300	PIN	2			with outrigger
16	0011501145	PIN	2			with outrigger
17	1103040865	BOLT	2			with outrigger
18	1130240008	NUT	4			with outrigger
19	1100040860	BOLT	1			
	E308a3L					

PIPING; LOWER



E3-09a-2-D