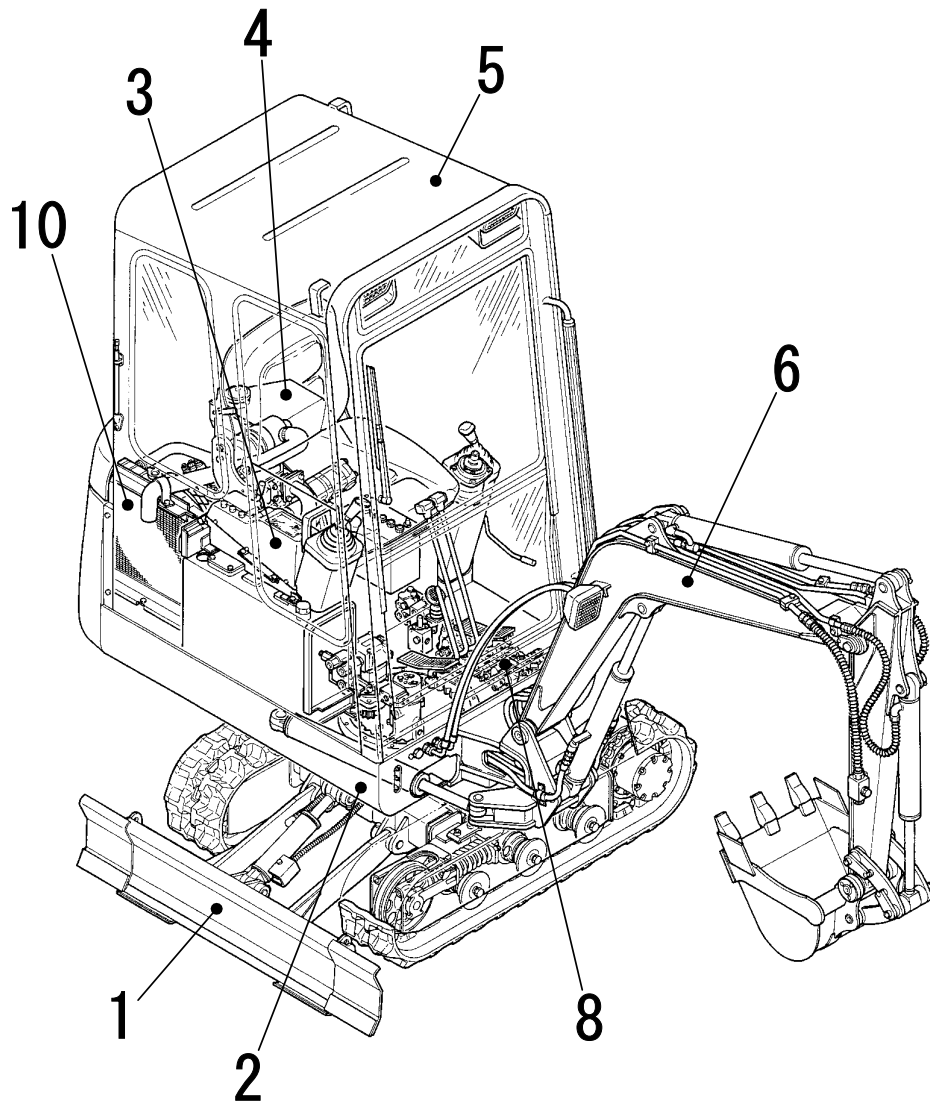


# TB015

Book No.PC3-101Z6

Serial No.1153001-

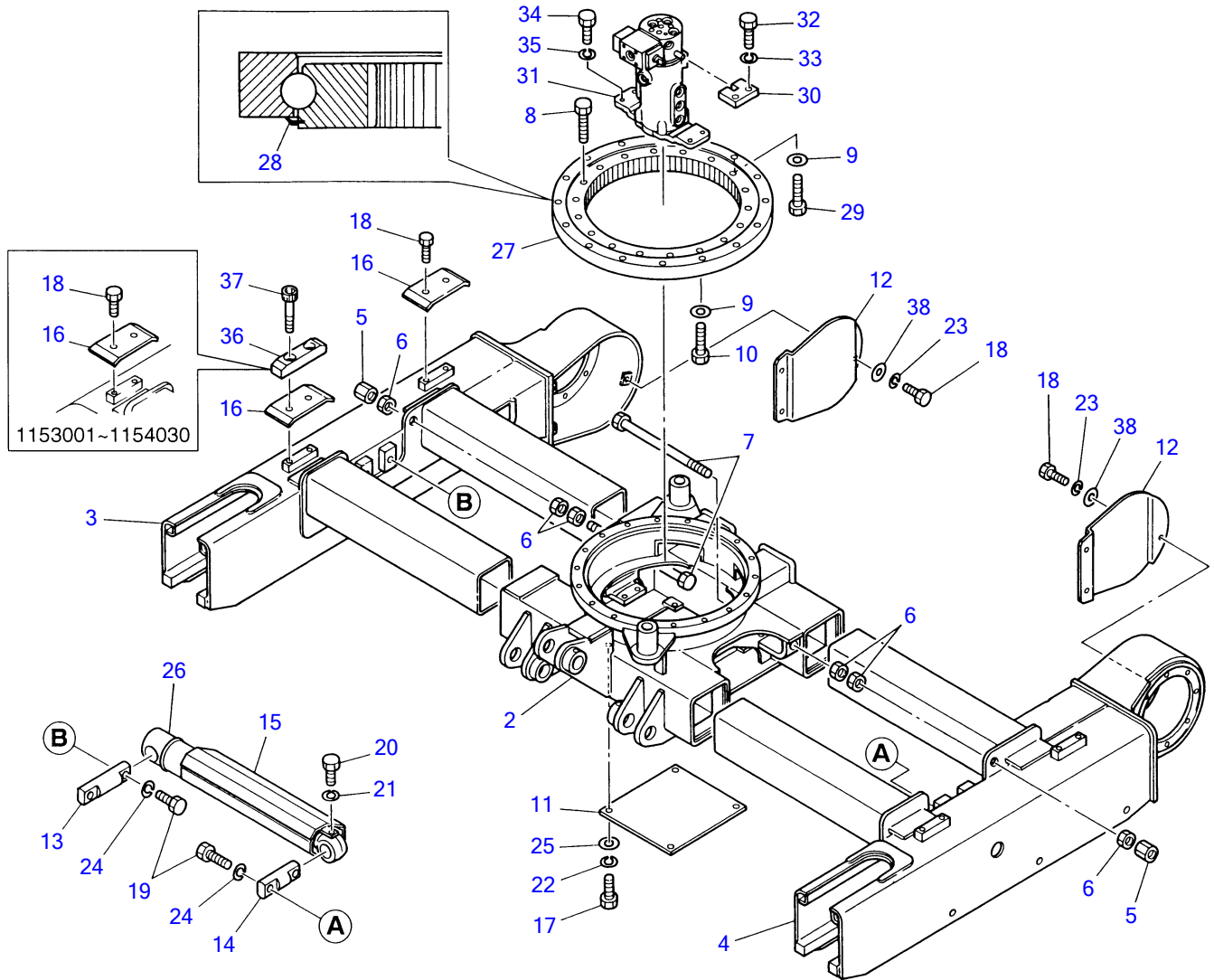


# TAKEUCHI



Item	Part number	Description	INDEX			
			Q'ty	Chan.	Serial No.	Remarks
1		UNDERCARRIAGE				
2		TURNTABLE & CONTROL LEVER				
3		ENGINE & ELECTRICAL SYSTEM				
4		HYDRAULIC PIPNG & TANK				
5		COVER & CAB				
6		HOE ATTACHMENT				
7		DECAL & TOOL				
8		HYDRAULIC DEVICE				
10		ENGINE (3TNA72L-UTBZ) 2006.6.15				

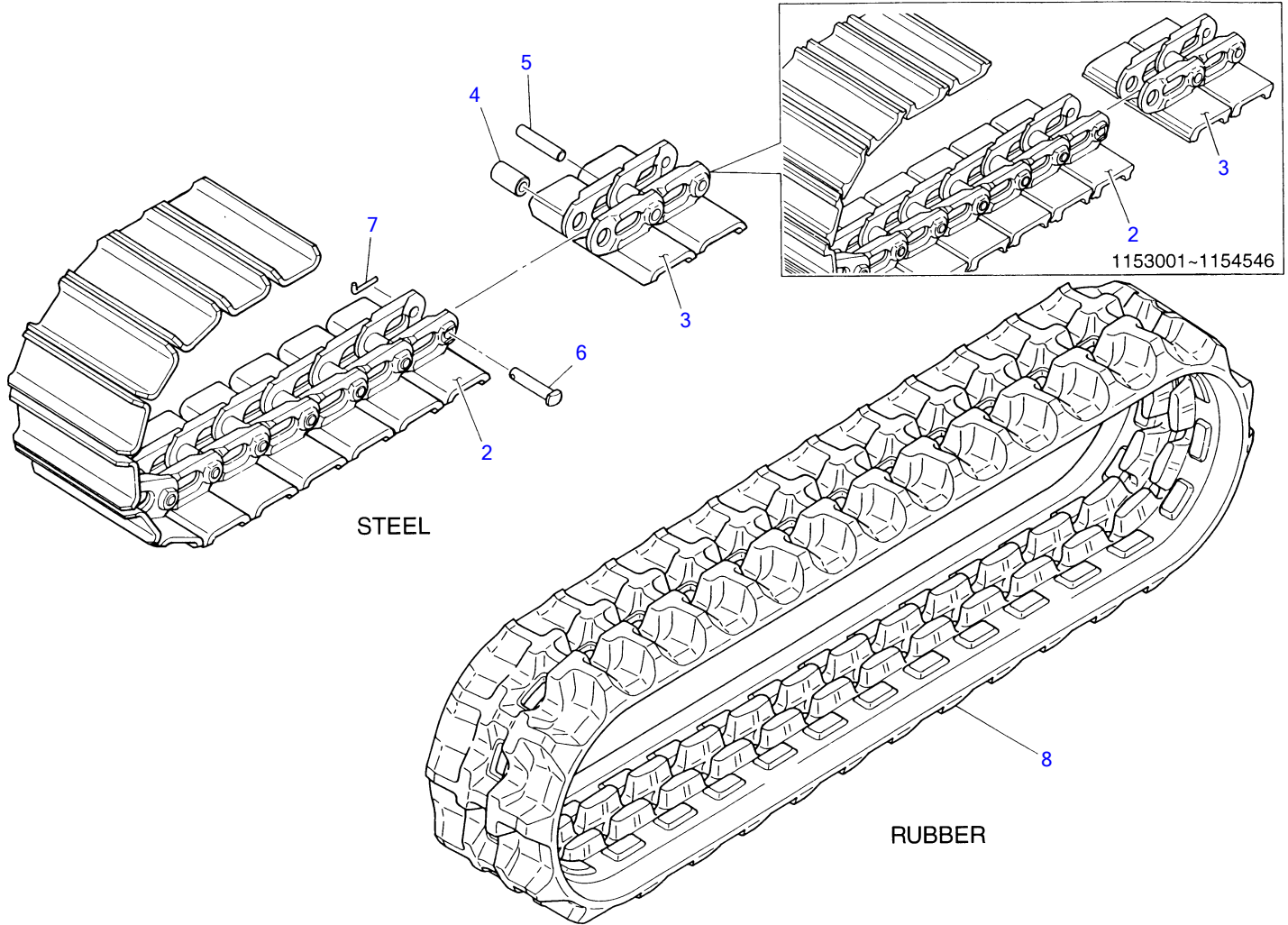
TB015 Book No.PC3-101Z6 S/N1153001-1158122  
**LOWER FRAME**



C3-01a-1-D

LOWER FRAME						
Item	Part number	Description	Q'ty	Chan.	Serial No.	Remarks
1	X *****	FRAME ASSY, lower	1			with slewing lock
	X *****	FRAME ASSY, lower	1			without slewing lock
2	X *****	· BODY	1			with slewing lock
	X *****	· BODY	1			without slewing lock
3	X *****	· FRAME (R.H.)	1			
4	X *****	· FRAME (L.H.)	1			
5	1134821620	· NUT	2			
6	1130140016	· NUT	6			
7	0421013600	· BOLT	2			
8	1101051250	BOLT	18			
9	1141540012	WASHER	16			
10	1101051275	BOLT	15			
11	0331010400	COVER	1			
12	0421010900	COVER	2			
13	0331010600	PIN	1			
14	0331010700	PIN	1			
15	0331010800	COVER	1			
16	0421013800	SLIDE	4			
17	1100040816	BOLT	4			
18	1100041020	BOLT	14		1153001~1154030	
	1100041020	BOLT	10		1154031~	
19	1101041440	BOLT	4			
20	1100040616	BOLT	1			
21	1140020006	WASHER, spring	1			
22	1140020008	WASHER, spring	4			
23	1140020010	WASHER, spring	6			
24	1140020014	WASHER, spring	4			
25	1141110008	WASHER	4			
26	1900059300	CYLINDER, spanner	1			
27	1913003950	BEARING	1			
28	1913003959	· SEAL	1			
29	0422011100	BOLT	1			
30	0422110100	STOPPER	1			
31	1904007100	JOINT, swivel	1			
32	1101041235	BOLT	2			
33	1140020012	WASHER, spring	2			
34	1100040820	BOLT	4			
35	1140020008	WASHER, spring	4			
36	0331011200	GUIDE	2		1154031~	
37	1110041030	SCREW, cap	4		1154031~	
38	1141110010	WASHER	6			

TB015 Book No.PC3-101Z6 S/N1153001-1158122  
CRAWLER BELT



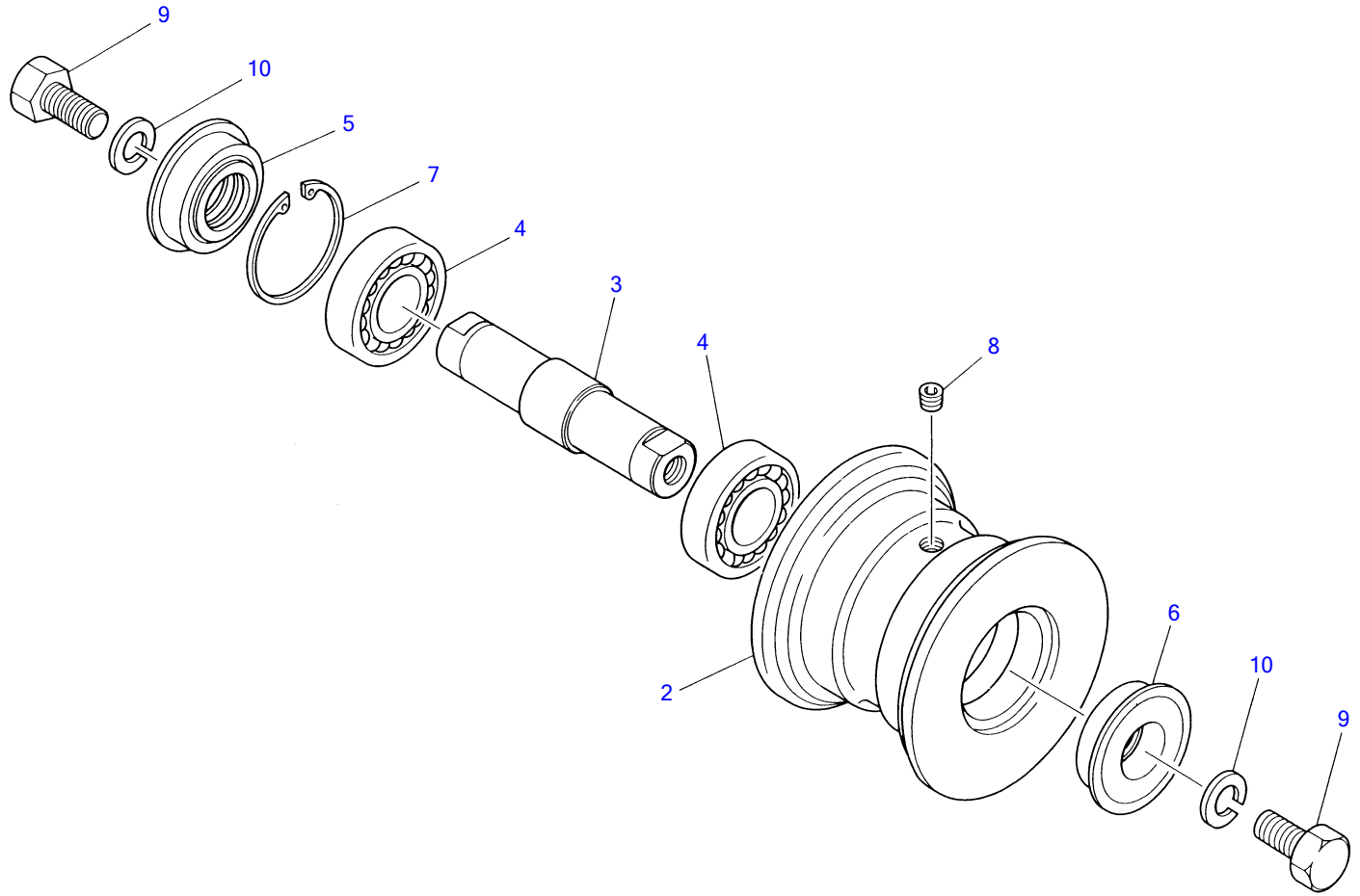
1153001~1154546

C3-02a-2-D

## CRAWLER BELT

Item	Part number	Description	Q'ty	Chan.	Serial No.	Remarks
1	<b>1914050000</b>	BELT ASSY, crawler	2		1153001~1154546	steel
	<b>1914050300</b>	BELT ASSY, crawler	2	(H)	1154547~	steel
2	<b>1914050014</b>	▪ PLATE ASSY, master	1		1153001~1154546	
	<b>1914050214</b>	▪ PLATE ASSY, master	1		1154547~	
3	<b>1914050013</b>	▪ PLATE ASSY	31		1153001~1154546	
	<b>1914050213</b>	▪ PLATE ASSY	31		1154547~	
4	<b>1914050005</b>	▪ BUSHING	32			
5	<b>1914050006</b>	▪ PIN, track	31			
6	<b>1914050007</b>	▪ PIN, master	1			
7	<b>1914050008</b>	▪ PIN, coter	1			
8	<b>1914049100</b>	BELT, crawler	2		1153001~1154135	rubber
	<b>1914049200</b>	BELT, crawler	2	(H)	1154136~1155628	rubber
	<b>1914049300</b>	BELT, crawler	2	(H)	1155629~	rubber
	<b>1914049800</b>	BELT, crawler	2	(H)		rubber, short pitch

TB015 Book No.PC3-101Z6 S/N1153001-1158122  
TRACK ROLLER

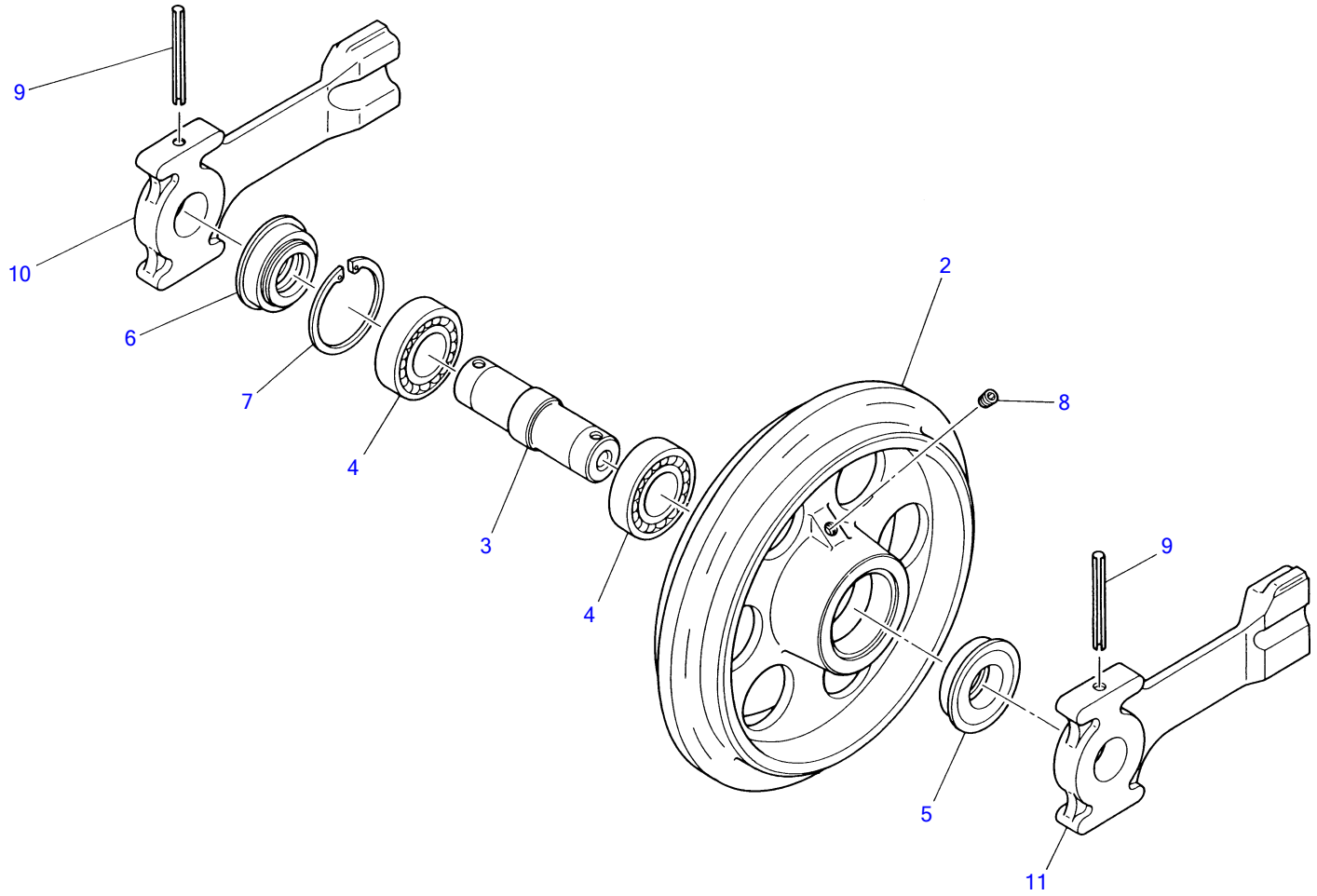


C3-04a-0-D



TRACK ROLLER						
Item	Part number	Description	Q'ty	Chan.	Serial No.	Remarks
1	0421301100	ROLLER ASSY	6			
2	0421301200	• ROLLER	1			
3	0421301300	• SHAFT	1			
4	1300006205	• BEARING	2			
5	1431202552	• SEAL, oil	1			
6	1431202547	• SEAL, oil	1			
7	1221000052	• RING, snap	1			
8	1501810001	• PLUG	1			
9	1101041225	BOLT	12			
10	1140010012	WASHER, spring	12			

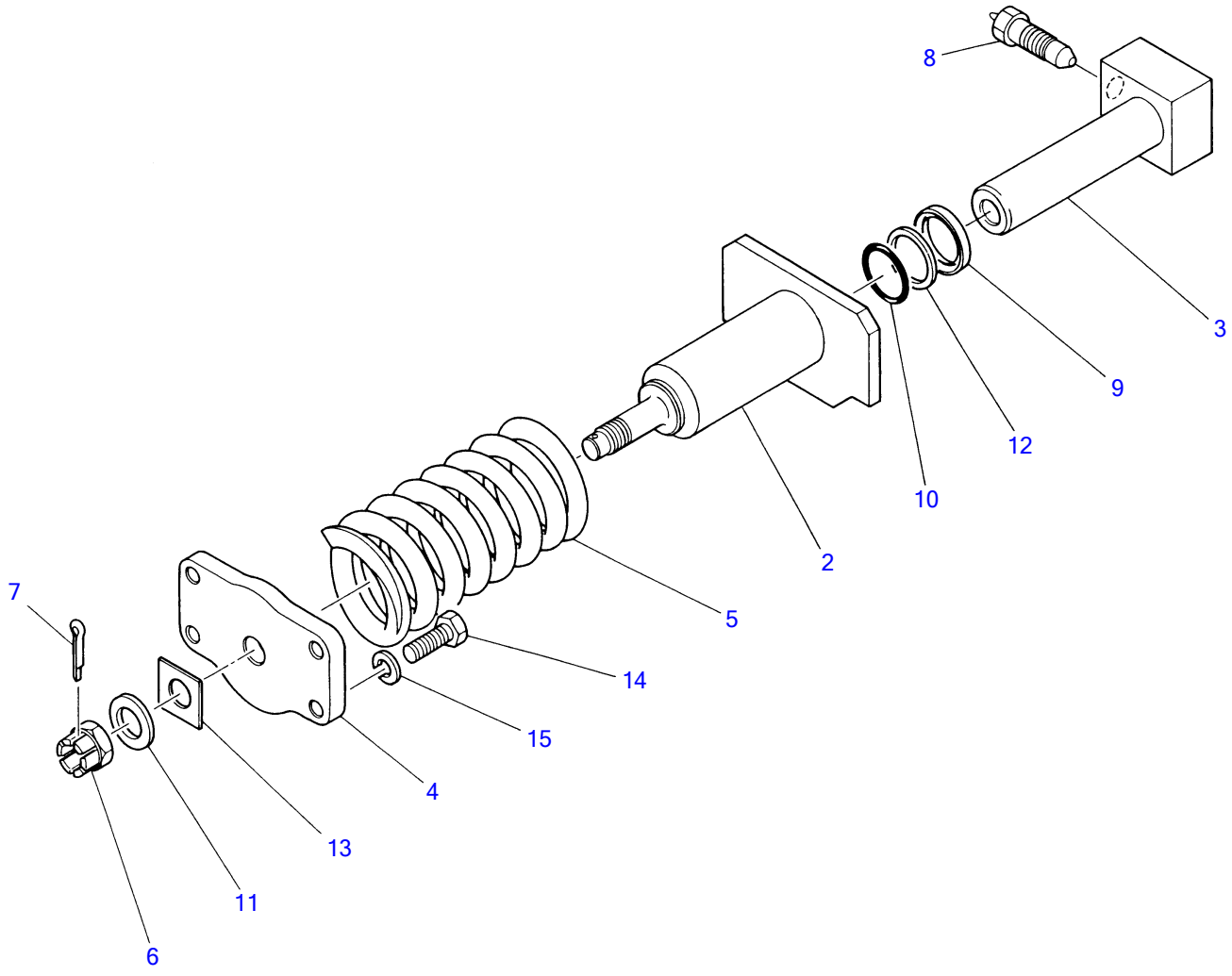
TB015 Book No.PC3-101Z6 S/N1153001-1158122  
FRONT IDLER



C3-05a-0-D

Item	Part number	Description	FRONT IDLER			Remarks
			Q'ty	Chan.	Serial No.	
1	0421401200	IDLER ASSY, front	2			
2	0421401100	· IDLER	1			
3	0421400200	· SHAFT	1			
4	1300006206	· BEARING	2			
5	1431203055	· SEAL, oil	1			
6	1431203062	· SEAL, oil	1			
7	1221000062	· RING, snap	1			
8	1501810001	· PLUG	1			
9	1213000670	PIN, spring	4			
10	0421400300	YOKE, slide (R.H.)	2			
11	0421400400	YOKE, slide (L.H.)	2			

TB015 Book No.PC3-101Z6 S/N1153001-1158122  
TRACK ADJUSTER

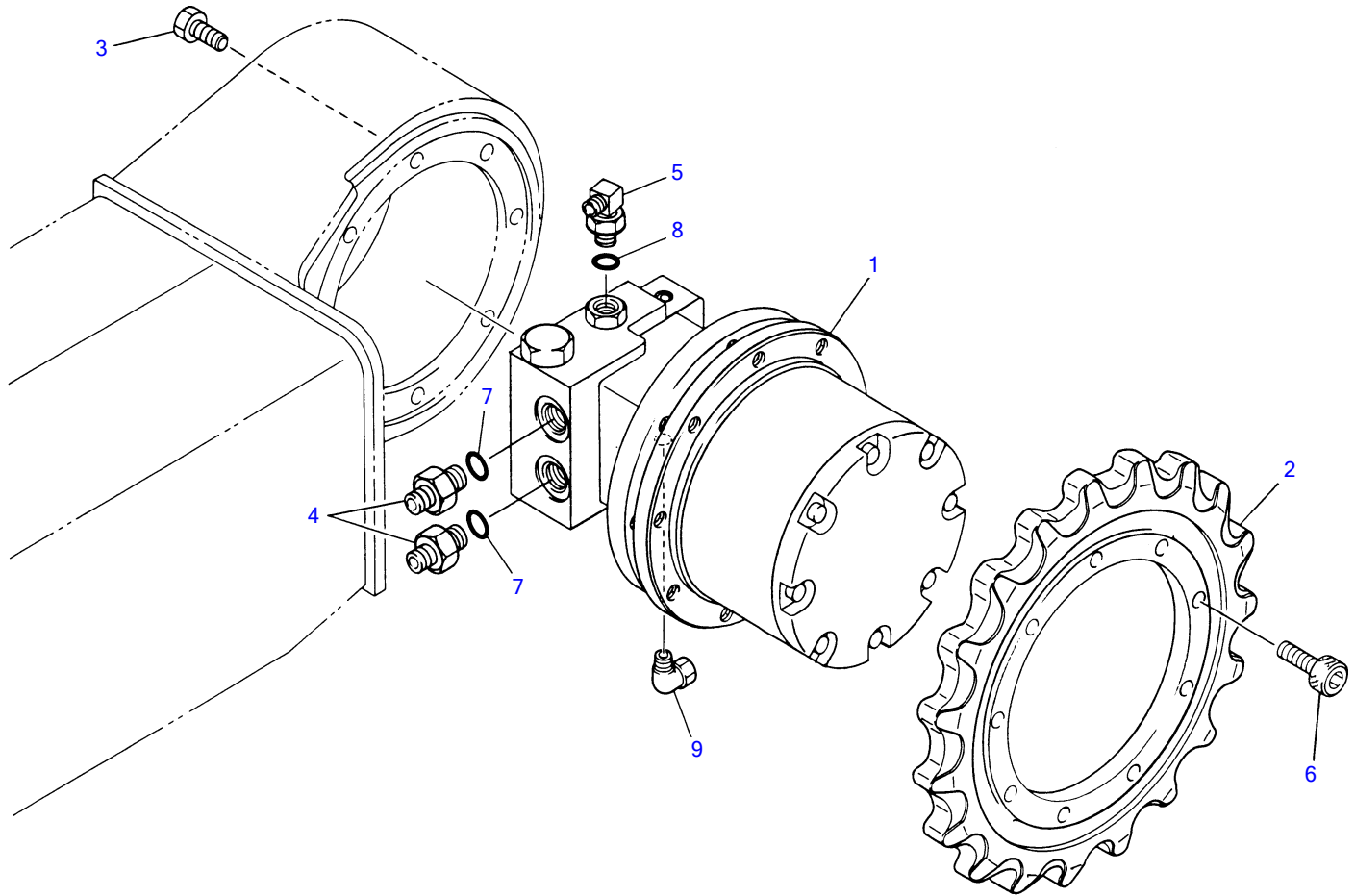


C3-06a-1-D

## TRACK ADJUSTER

Item	Part number	Description	Q'ty	Chan.	Serial No.	Remarks
1	<b>0421503100</b>	CUSHION ASSY	2		1153001~1153367	
	<b>0421504100</b>	CUSHION ASSY	2	(H)	1153368~	
2	<b>0421502200</b>	▪ CYLINDER, grease	1		1153001~1153367	
	<b>0421504200</b>	▪ CYLINDER, grease	1	(H)	1153368~	
3	<b>0421502300</b>	▪ PISTON	1			
4	<b>0421501300</b>	▪ PLATE	1			
5	<b>0007000018</b>	▪ SPRING	1			
6	<b>1132030016</b>	▪ NUT	1			
7	<b>1210000440</b>	▪ PIN, split	1			
8	<b>1541300501</b>	▪ VALVE ASSY, check	1			
9	<b>1400401654</b>	▪ SEAL, oil	1			
10	<b>1420010300</b>	▪ O-RING	1			
11	<b>1141540016</b>	▪ WASHER	1			
12	<b>1421020300</b>	▪ RING, back-up	1			
13	<b>0421503200</b>	▪ PLATE	1		1153001~1153367	
14	<b>1100051035</b>	BOLT	8			
15	<b>1140010010</b>	WASHER, spring	8			

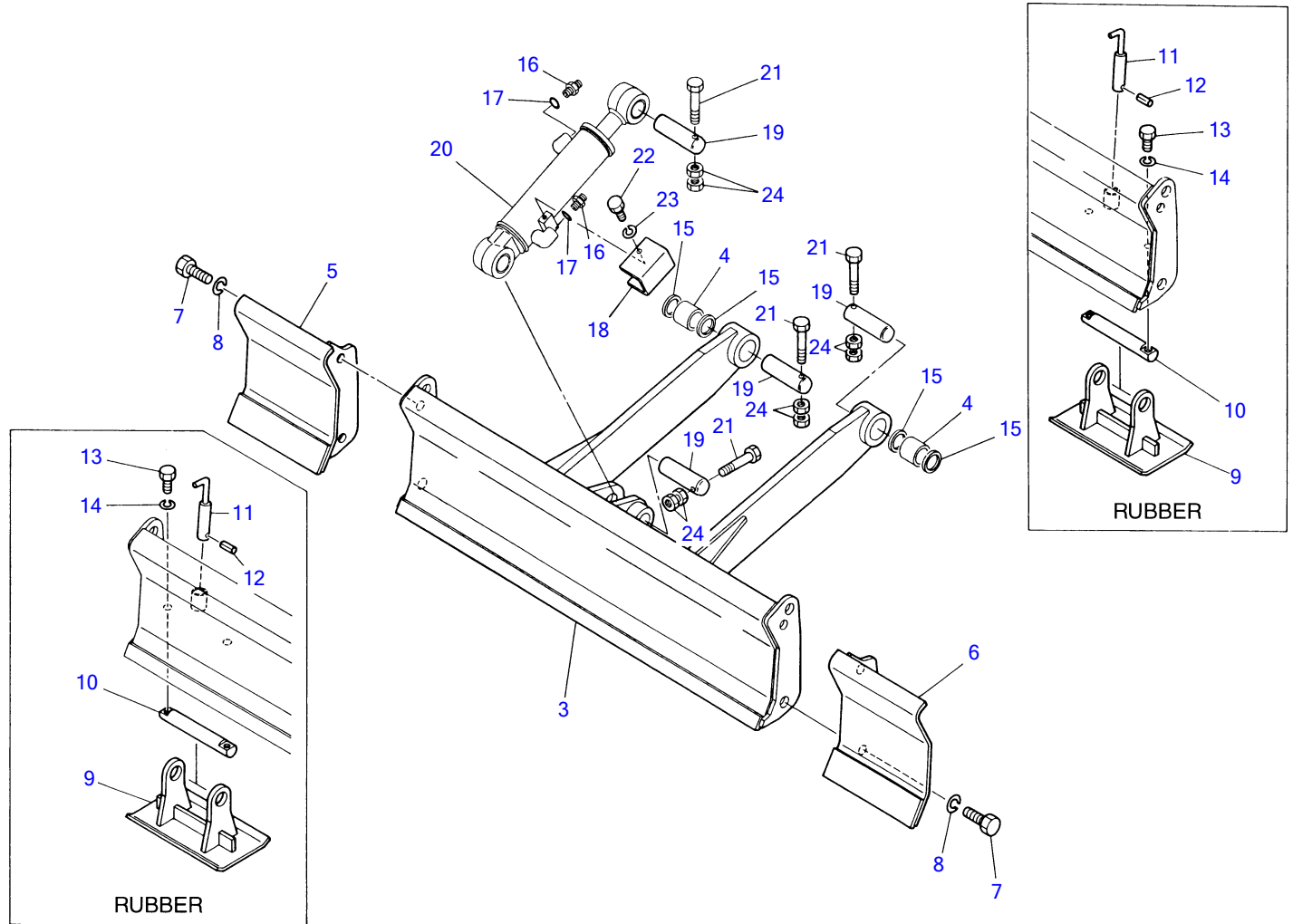
TB015 Book No.PC3-101Z6 S/N1153001-1158122  
TRAVEL DEVICE



Y2-07a-1-D

TRAVEL DEVICE						
Item	Part number	Description	Q'ty	Chan.	Serial No.	Remarks
1	1903114400	MOTOR ASSY (L.H.)	1			with P.B.
	1903114200	MOTOR ASSY (L.H.)	1			without P.B.
	1903114300	MOTOR ASSY (R.H.)	1			with P.B.
	1903114100	MOTOR ASSY (R.H.)	1			without P.B.
2	0331610100	SPROCKET	2			
3	1100241020	BOLT	16			
4	1515600576	ADAPTOR	4			
5	1515010040	ELBOW	2			
6	1110051025	SCREW, cap	18			
7	1420010140	O-RING	4			
8	1420010110	O-RING	2			
9	1532620601	ELBOW	2		1153001~1153061	
	1532620801	ELBOW	2		1153062~	

TB015 Book No.PC3-101Z6 S/N1153001-1158122  
DOZER BLADE

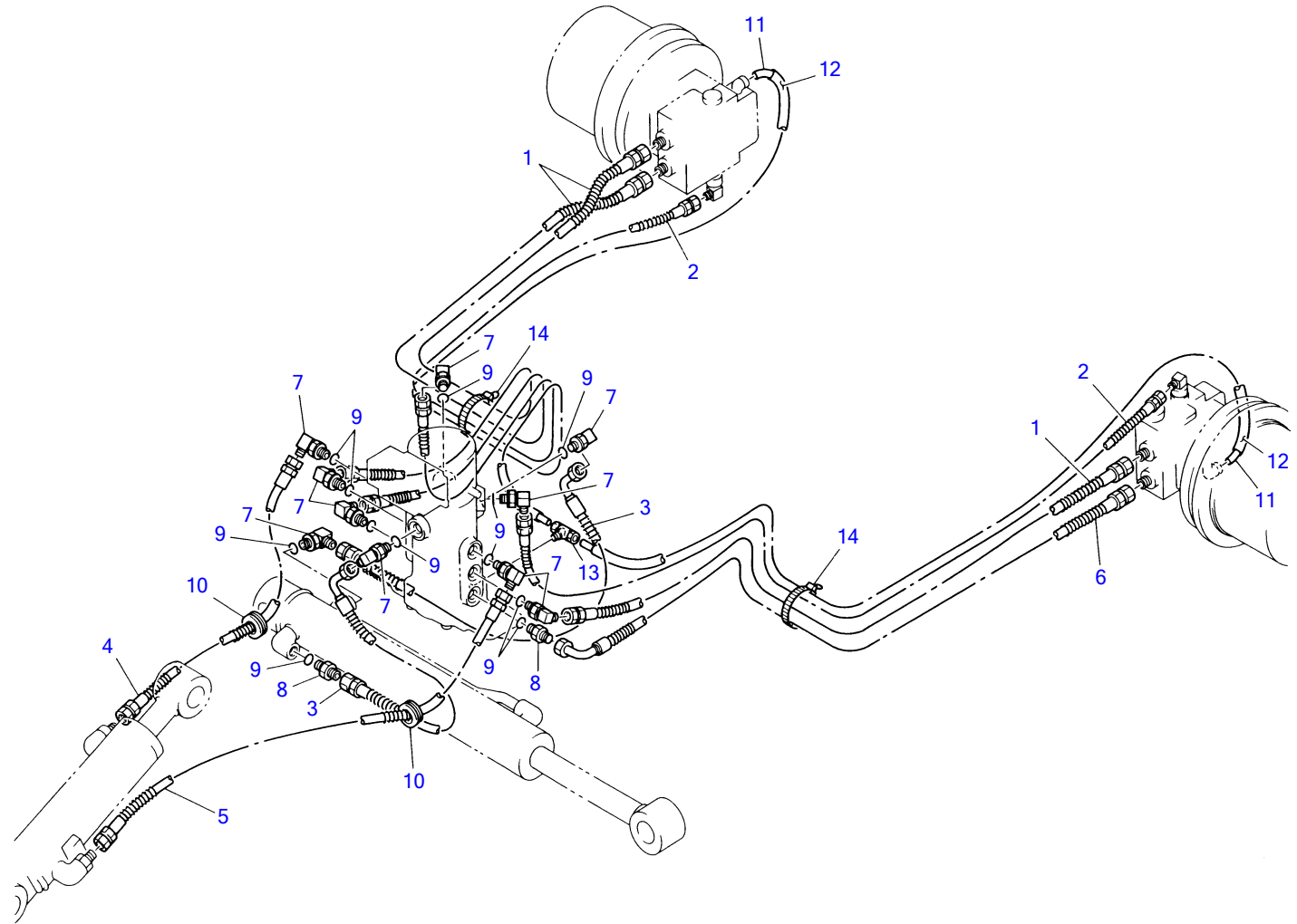


C3-08a-0-D



DOZER BLADE						
Item	Part number	Description	Q'ty	Chan.	Serial No.	Remarks
1	0336311100	BLADE ASSY, sub	1			rubber
	0336313100	BLADE ASSY, sub	1			without outrigger
2	0426312200	· BLADE ASSY	1			
	0336313200	· BLADE ASSY	1			without outrigger
3	X *****	· · BLADE	1			
	X *****	· · BLADE	1			without outrigger
4	0426007300	· · BUSHING	2			
5	0336311200	· PLATE (R.H.)	1			
6	0336311300	· PLATE (L.H.)	1			
7	1100041640	· BOLT	4			
8	1140020016	· WASHER, spring	4			
9	0426312500	· OUTRIGGER	2			rubber
10	0336310600	· PIN	2			rubber
11	0426303400	· PIN	2			rubber
12	1213000628	· PIN, spring	2			rubber
13	1100041030	· BOLT	4			rubber
14	1140020010	· WASHER, spring	4			rubber
15	1432200030	SEAL, dust	4			
16	1515600200	ADAPTOR	2			
17	1420010140	O-RING	2			
18	0426300400	COVER	1			
19	0011601100	PIN	4			
20	1900059200	CYLINDER, blade	1			
21	1103040860	BOLT	4			
22	1100040860	BOLT	1			
23	1140020008	WASHER, spring	1			
24	1130240008	NUT	8			

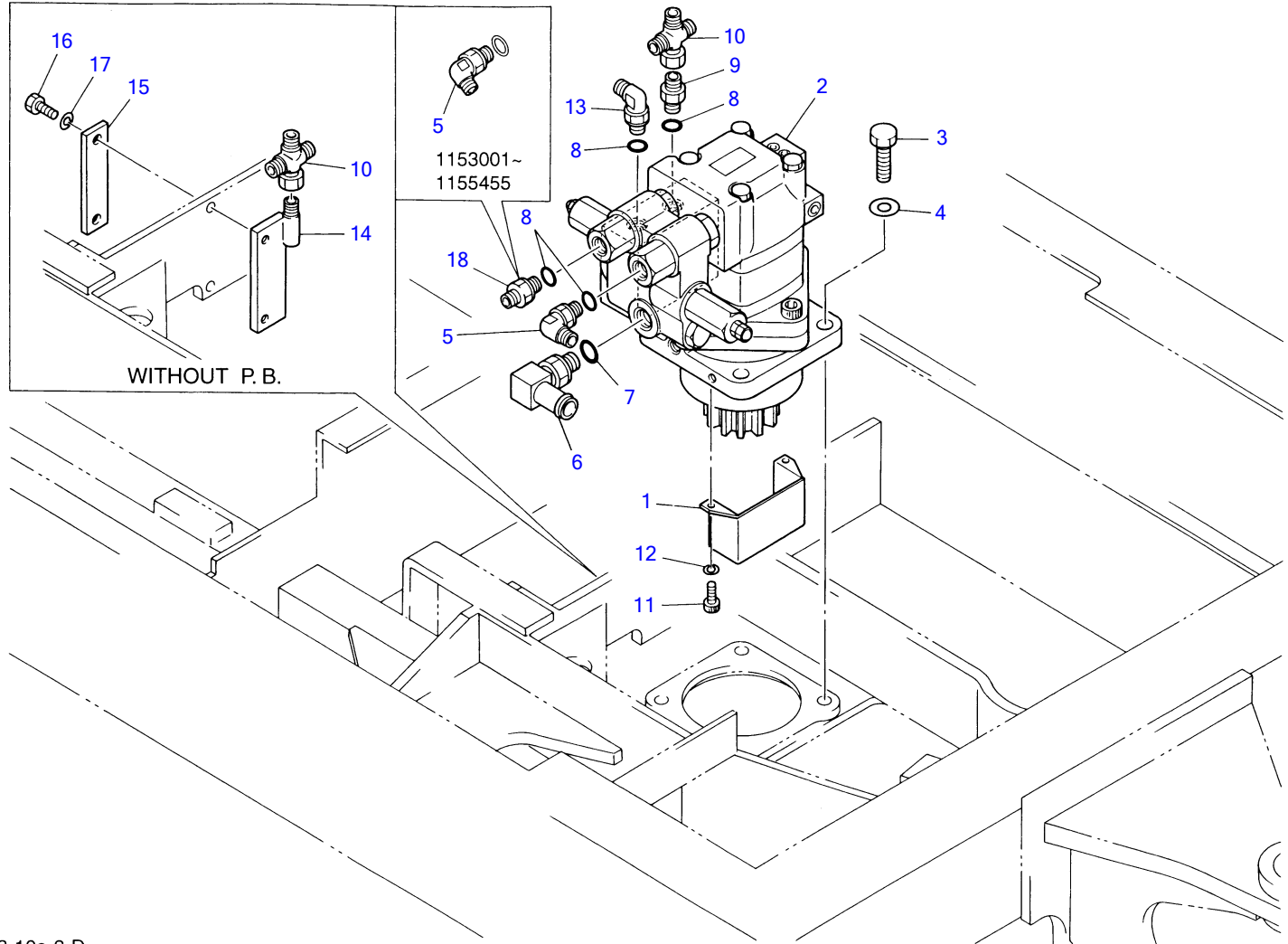
TB015 Book No.PC3-101Z6 S/N1153001-1158122  
PIPING; LOWER



C3-09a-1-D

PIPING; LOWER						
Item	Part number	Description	Q'ty	Chan.	Serial No.	Remarks
1	1801600082	HOSE ASSY	3			
2	1801032093	HOSE ASSY	2			
3	1801601054	HOSE ASSY	2			
4	1801519001	HOSE ASSY	1			
5	1801519002	HOSE ASSY	1			
6	1801601083	HOSE ASSY	1			
7	1515010040	ELBOW	10			
8	1515600200	ADAPTOR	2			
9	1420010110	O-RING	12			
10	0077200400	GUARD	2			
11	1532120613	TUBE	2		1153001~1153061	sold by the meter
	1532120813	TUBE	2		1153062~	sold by the meter
12	1531210100	PROTECTOR	2			sold by the meter
13	1532720601	TEE	1		1153001~1153061	
	1532720801	TEE	1		1153062~	
14	1652201005	BAND	2			

SLEWING DEVICE



C3-10a-2-D