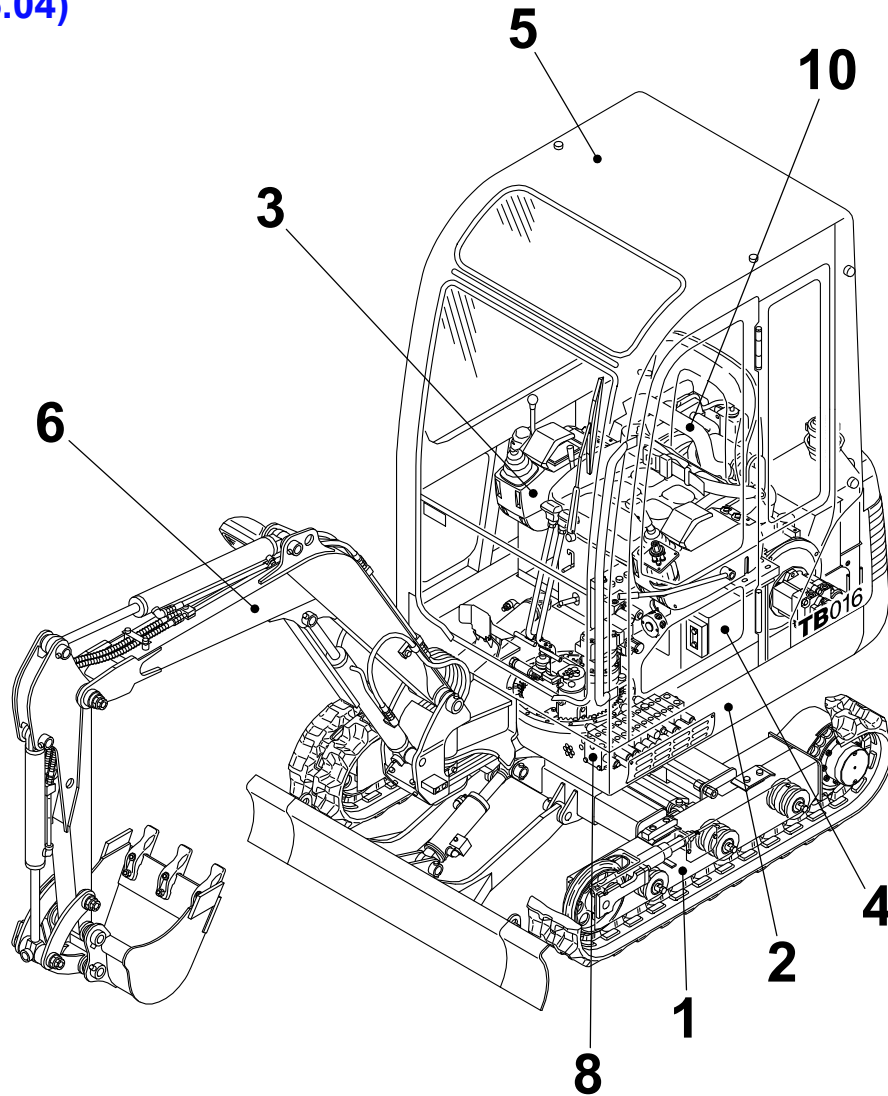


Index

# TB014

Book No. BC4Z004

Serial No. 11400003-11401973  
(2005.04)

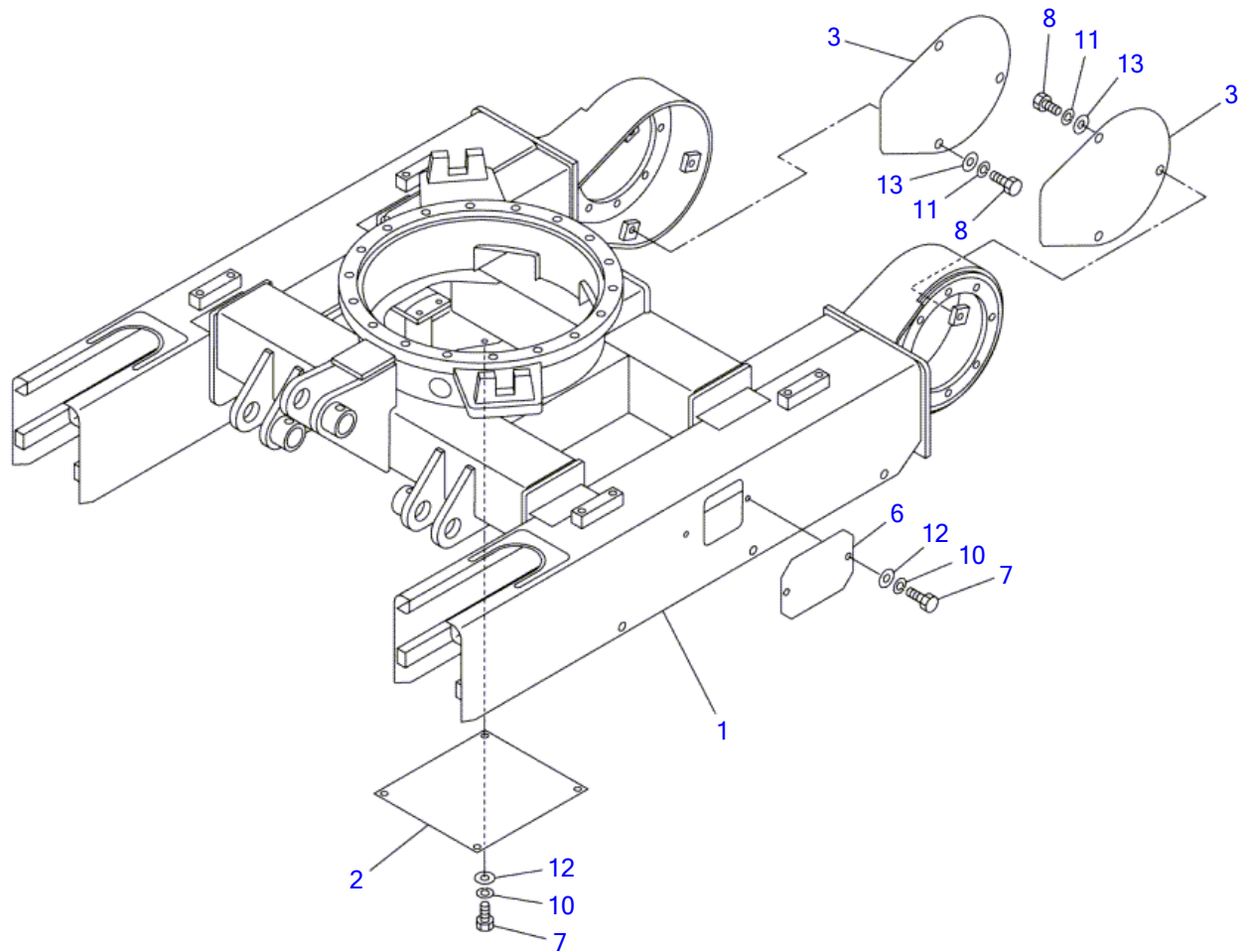


# TAKEUCHI



						INDEX			
Item	Part number	Description	Q'ty	Chan.	Serial No.	Serv.	Remarks		
1		UNDERCARRIAGE							
2		TURNTABLE & CONTROL LEVER							
3		ENGINE & ELECTRICAL SYSTEM							
4		HYDRAULIC PIPNG & TANK							
5		COVER & CAB							
6		HOE ATTACHMENT							
7		DECAL & TOOL							
8		HYDRAULIC DEVICE							
10		ENGINE(3TNE68-NTB)							
		ENGINE(3TNE68-TB1,ETB1)							
		2005.02.14							
99		KITS, ATTACHMENTS AND QUICK REFERENCE							

TB014 Book No. BC4Z004 S/N 11400003-11401973  
LOWER FRAME

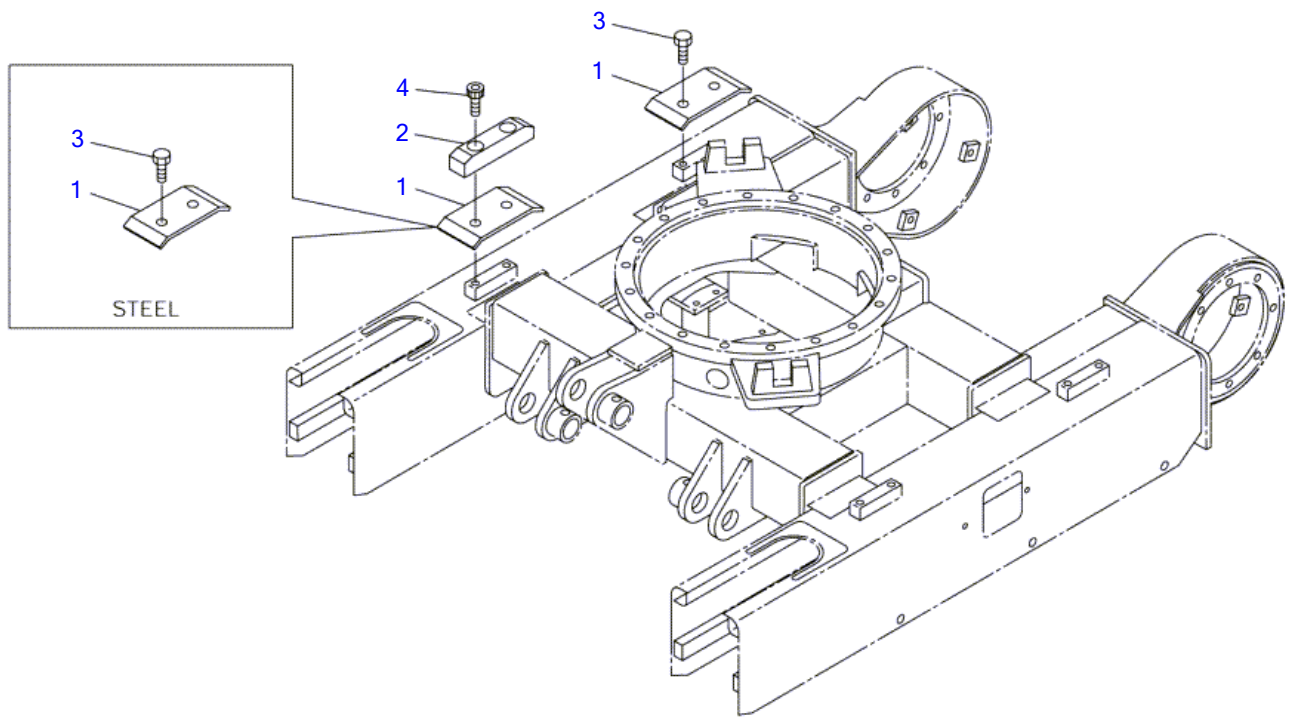


C4A011

S-1/10

LOWER FRAME						
Item	Part number	Description	Q'ty	Chan.	Serial No.	Serv. Remarks
		FRAME ASSY, lower				X03310-30000-1
1	X *****	FRAME	1			
2	0331010400	PLATE	1			
3	0331021003	COVER	2			
6	0331018600	COVER	2			
7	1100040816	BOLT	8			
8	1100041020	BOLT	6			
10	1140020008	WASHER, spring	8			
11	1140020010	WASHER, spring	6			
12	1141110008	WASHER	8			
13	1141110010	WASHER	6			
	C4a012					

TB014 Book No. BC4Z004 S/N 11400003-11401973  
SHOE SLIDE

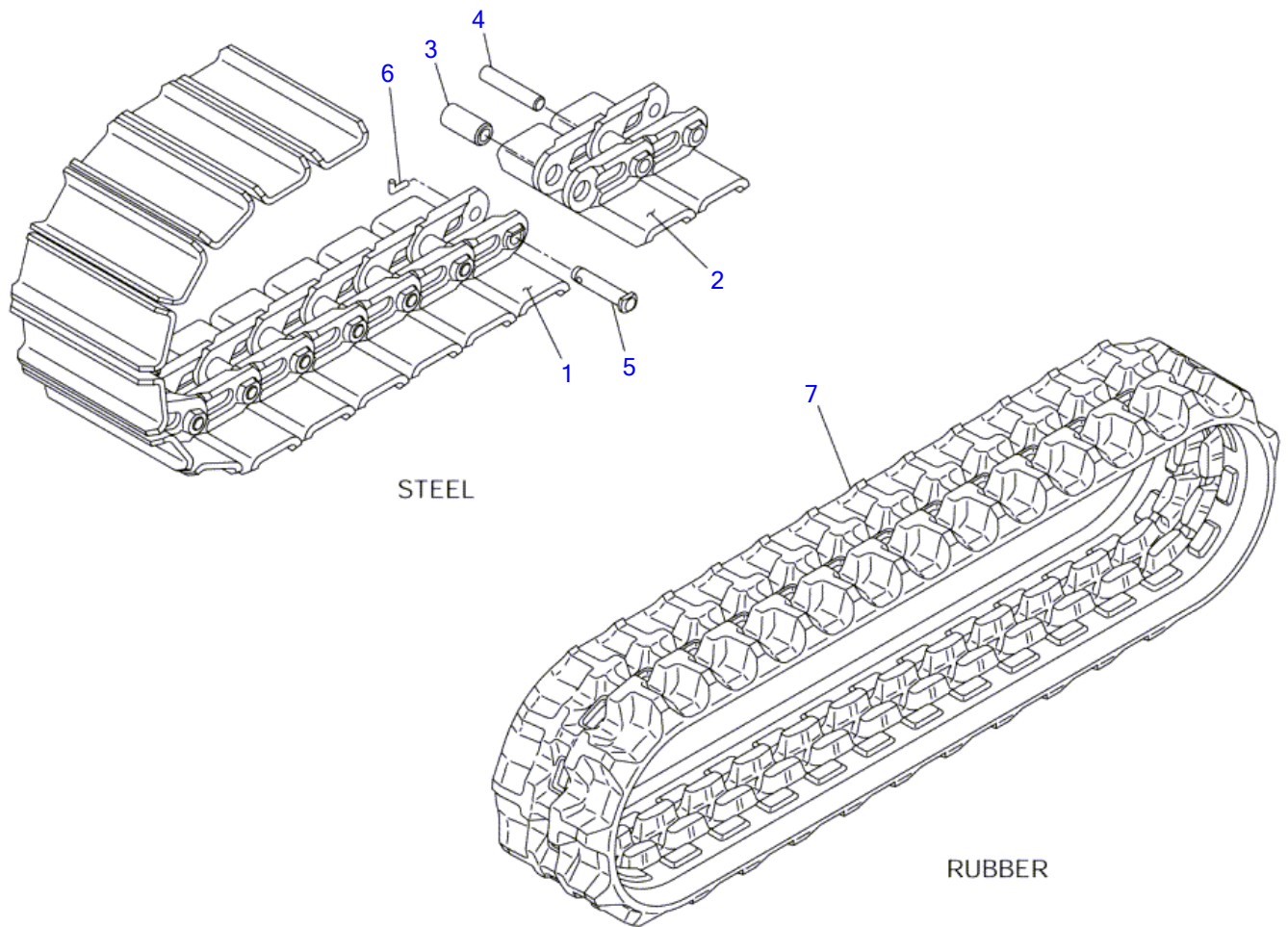


C4A200

S-1/10

SHOE SLIDE							
Item	Part number	Description	Q'ty	Chan.	Serial No.	Serv.	Remarks
		SHOE SLIDE ASSY (rubber)					X03312-02000-0
		SHOE SLIDE ASSY (steel)					X03312-02100-0
1	<b>0421013800</b>	SLIDE, shoe	4				
2	<b>0331011200</b>	GUIDE	2				rubber
3	<b>1100041020</b>	BOLT	4				rubber
	<b>1100041020</b>	BOLT	8				steel
4	<b>1110041030</b>	SCREW, cap	4				
	<b>C4a200</b>						

TB014 Book No. BC4Z004 S/N 11400003-11401973  
**CRAWLER BELT**



C4A030

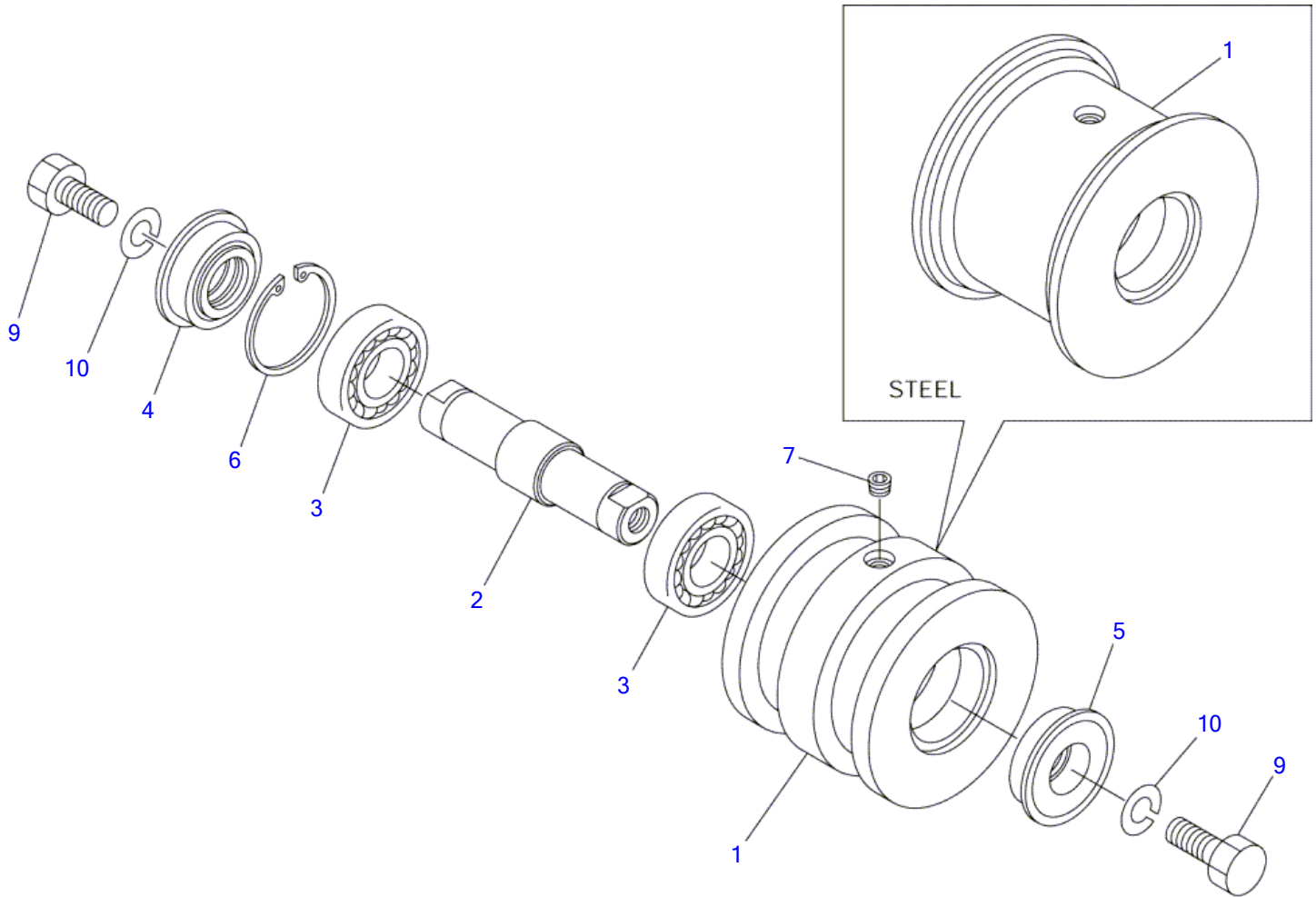
S=1/8, 1/10



## CRAWLER BELT

Item	Part number	Description	Q'ty	Chan.	Serial No.	Serv.	Remarks
0	<b>1914050300</b>	BELT, steel crawler	2				X19140-50300-0
1	<b>1914050214</b>	▪ PLATE ASSY, master	1				
2	<b>1914050213</b>	▪ PLATE ASSY	31				
3	<b>1914050005</b>	▪ BUSHING	32				
4	<b>1914050006</b>	▪ PIN, track	31				
5	<b>1914050007</b>	▪ PIN, master	1				
6	<b>1914050008</b>	▪ PIN, coter	1				
7	<b>1914049300</b>	BELT, rubber crawler	2		11400003~11400328		
	<b>1914049800</b>	BELT, rubber crawler	2	(H)	11400329~11400424		short pitch
	<b>1914080400</b>	BELT, rubber crawler	2	(H)	11400425~		short pitch
	<b>C4a031S</b>						

TB014 Book No. BC4Z004 S/N 11400003-11401973  
**TRACK ROLLER**

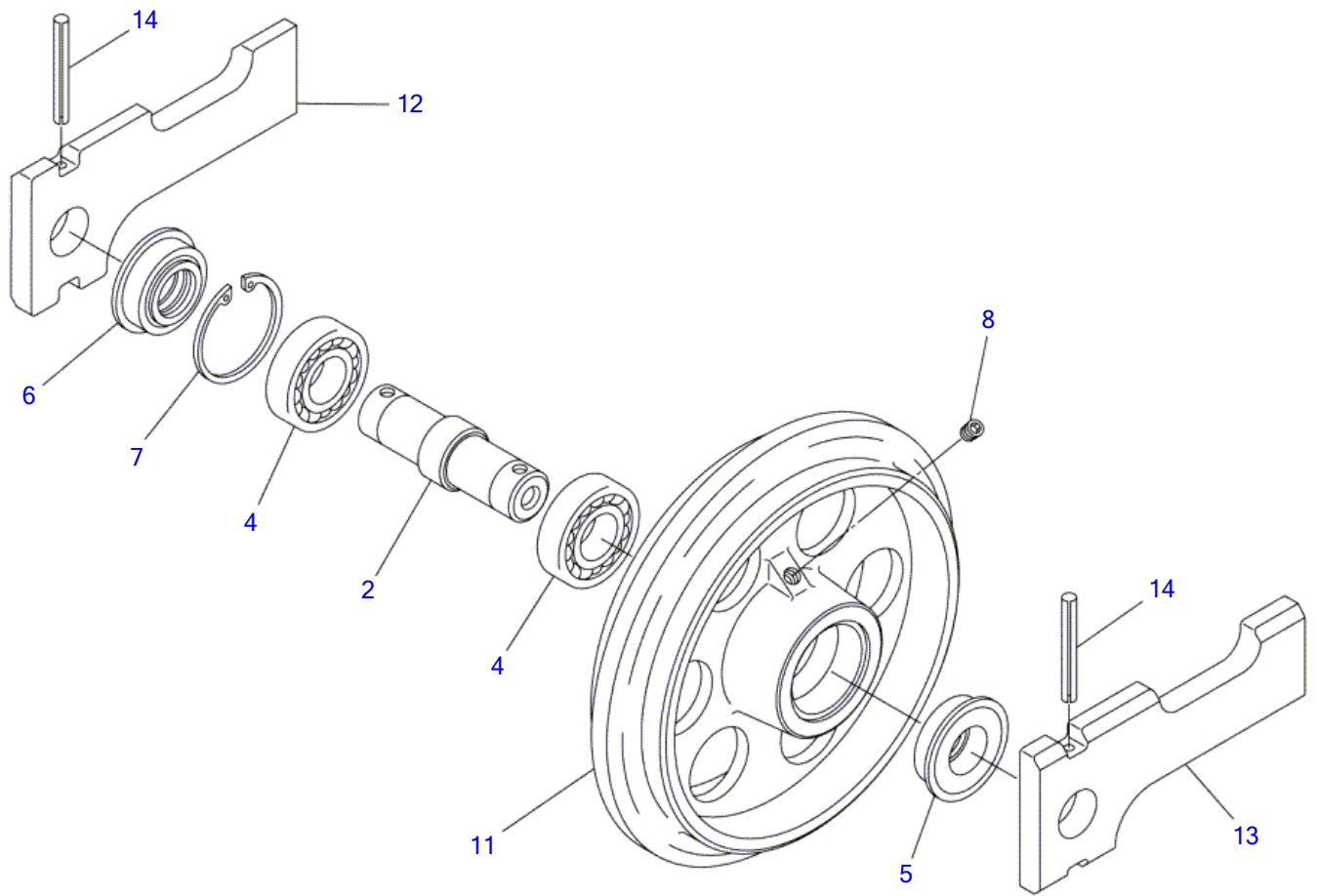


C4A040

S-1/3

TRACK ROLLER							
Item	Part number	Description	Q'ty	Chan.	Serial No.	Serv.	Remarks
		ROLLER ASSY, track (rubber crawler)					X03313-06000-1
		ROLLER ASSY, track (steel crawler)					X03313-07000-1
0-1	<b>0331306100</b>	ROLLER SUB ASSY	6				rubber crawler
	<b>0331307100</b>	ROLLER SUB ASSY	6				steel crawler
1	<b>0331306200</b>	• SHELL	1				rubber crawler
	<b>0331307200</b>	• SHELL	1				steel crawler
2	<b>0421301300</b>	• SHAFT	1				
3	<b>1300006205</b>	• BEARING	2				
4	<b>1431202552</b>	• SEAL	1				
5	<b>1431202547</b>	• SEAL	1				
6	<b>1221000052</b>	• RING, snap	1				
7	<b>1501810001</b>	• PLUG	1				
9	<b>1101041225</b>	BOLT	12				
10	<b>1140010012</b>	WASHER, spring	12				
	<b>C4a042</b>						

TB014 Book No. BC4Z004 S/N 11400003-11401973  
FRONT IDLER

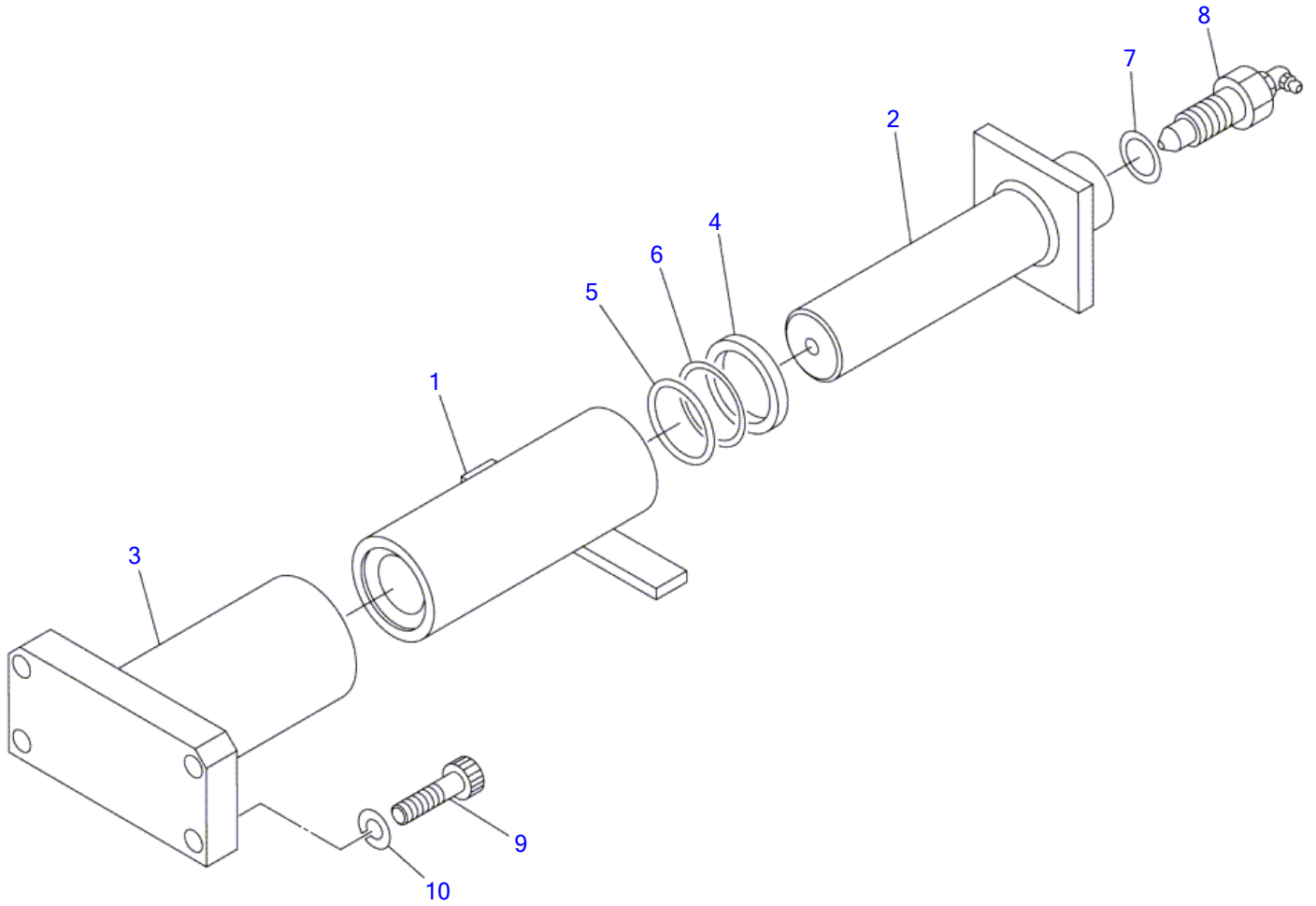


C4A050

S-1/4

Item	Part number	Description	FRONT IDLER			Remarks
			Q'ty	Chan.	Serial No. Serv.	
		IDLER ASSY, front				X03314-04000-1
0-1	<b>0421401200</b>	IDLER SUB ASSY	2			
2	<b>0421400200</b>	▪ SHAFT	1			
4	<b>1300006206</b>	▪ BEARING	2			
5	<b>1431203055</b>	▪ SEAL	1			
6	<b>1431203062</b>	▪ SEAL	1			
7	<b>1221000062</b>	▪ RING, snap	1			
8	<b>1501810001</b>	▪ PLUG	1			
11	<b>0421401100</b>	▪ IDLER	1			
12	<b>0331404600</b>	YOKE (R.H.)	2			
13	<b>0331404700</b>	YOKE (L.H.)	2			
14	<b>1213000670</b>	PIN, spring	4			
	<b>C4a052</b>					

TB014 Book No. BC4Z004 S/N 11400003-11401973  
TRACK ADJUSTER (11400003-11400782)



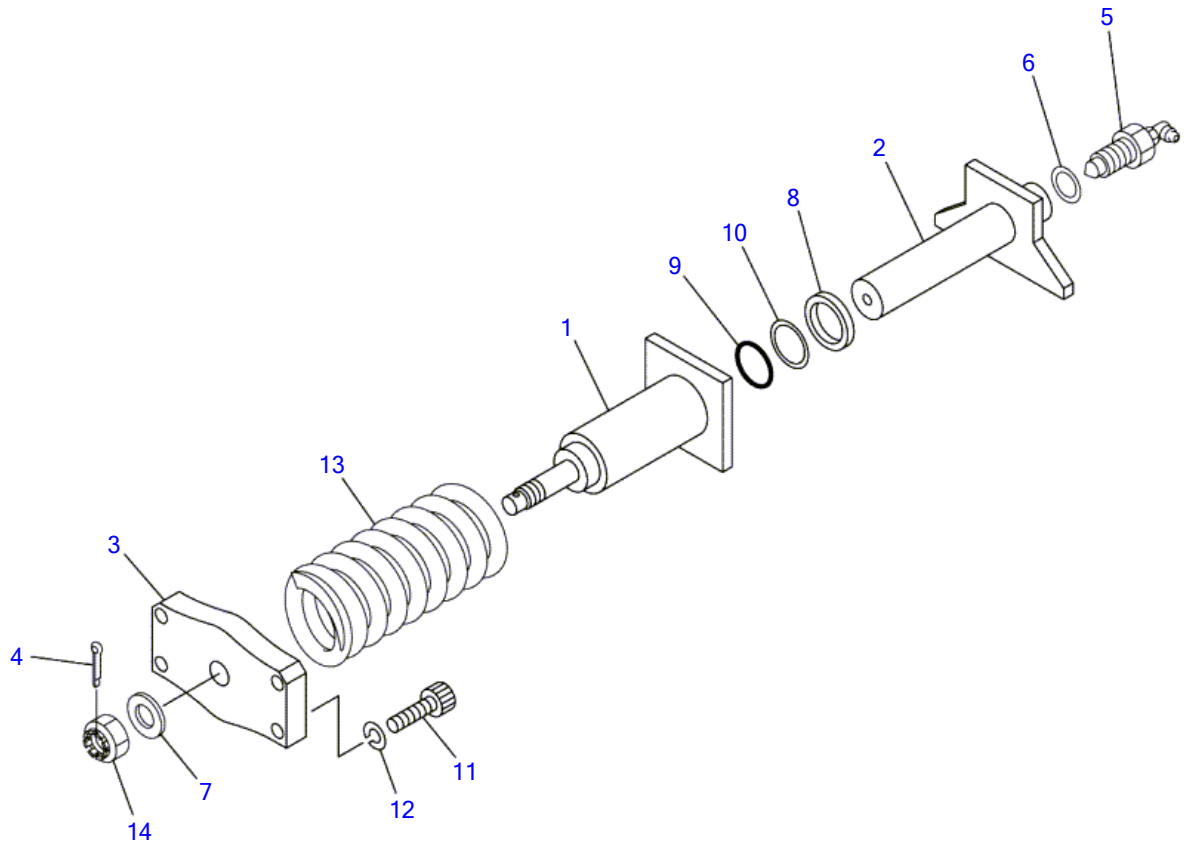
C4A060

S-1/3

## TRACK ADJUSTER (11400003-11400782)

Item	Part number	Description	Q'ty	Chan.	Serial No.	Serv.	Remarks
0-1	<b>0331506500</b>	ADJUSTER ASSY, track	2				X03315-06500-1
1	<b>0331506100</b>	▪ CYLINDER, grease	1				
2	<b>0331506200</b>	▪ PISTON	1		11400003~11400010		
	<b>0331506600</b>	▪ PISTON	1	(H)	11400011~		
3	<b>0331505300</b>	▪ PLATE	1		11400003~11400010		
	<b>0331506700</b>	▪ PLATE	1	(H)	11400011~		
4	<b>1400502033</b>	▪ SEAL, oil	1				
5	<b>1422010350</b>	▪ O-RING	1				
6	<b>1421020350</b>	▪ RING, back-up	1				
7	<b>1541201616</b>	▪ WASHER	1				
8	<b>1541301602</b>	▪ VALVE ASSY, check	1				
9	<b>1110041035</b>	SCREW, cap	8				
10	<b>1140420010</b>	WASHER, spring	8				
	<b>C4a062S</b>						

TB014 Book No. BC4Z004 S/N 11400003-11401973  
TRACK ADJUSTER (11400783-)



C4A150

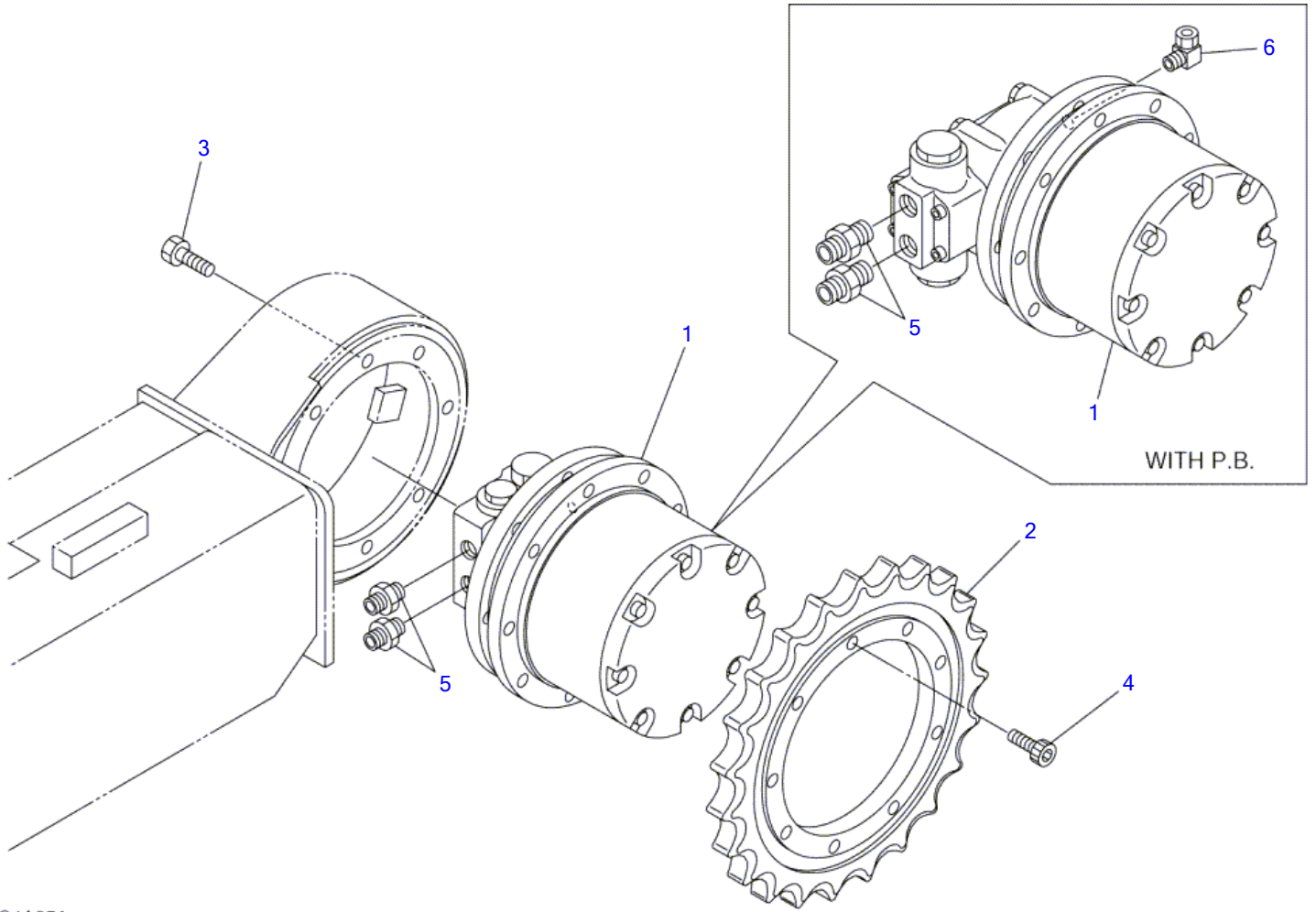
S-1/5



## TRACK ADJUSTER (11400783-)

Item	Part number	Description	Q'ty	Chan.	Serial No.	Serv.	Remarks
0-1	<b>0331508500</b>	ADJUSTER ASSY, track (R)	1				X03315-08500-4
	<b>0331508900</b>	ADJUSTER ASSY, track (L)	1				X03315-08900-4
1	<b>0331508600</b>	· CYLINDER, grease	1				
2	<b>0331508700</b>	· PISTON	1				
3	<b>0331508030</b>	· PLATE	1				
4	<b>1210010440</b>	· PIN, split	1				
5	<b>1541301602</b>	· VALVE ASSY, check	1				
6	<b>1541201616</b>	· WASHER	1				
7	<b>1141540016</b>	· WASHER	1				
8	<b>1400401654</b>	· SEAL, oil	1				
9	<b>1422010300</b>	· O-RING	1				
10	<b>1421020300</b>	· RING, back-up	1				
11	<b>1110041035</b>	SCREW, cap	8				
12	<b>1140420010</b>	WASHER, spring	8				
13	<b>0007000018</b>	SPRING	2				
14	<b>1132080016</b>	NUT	2				
	<b>C4a152</b>						

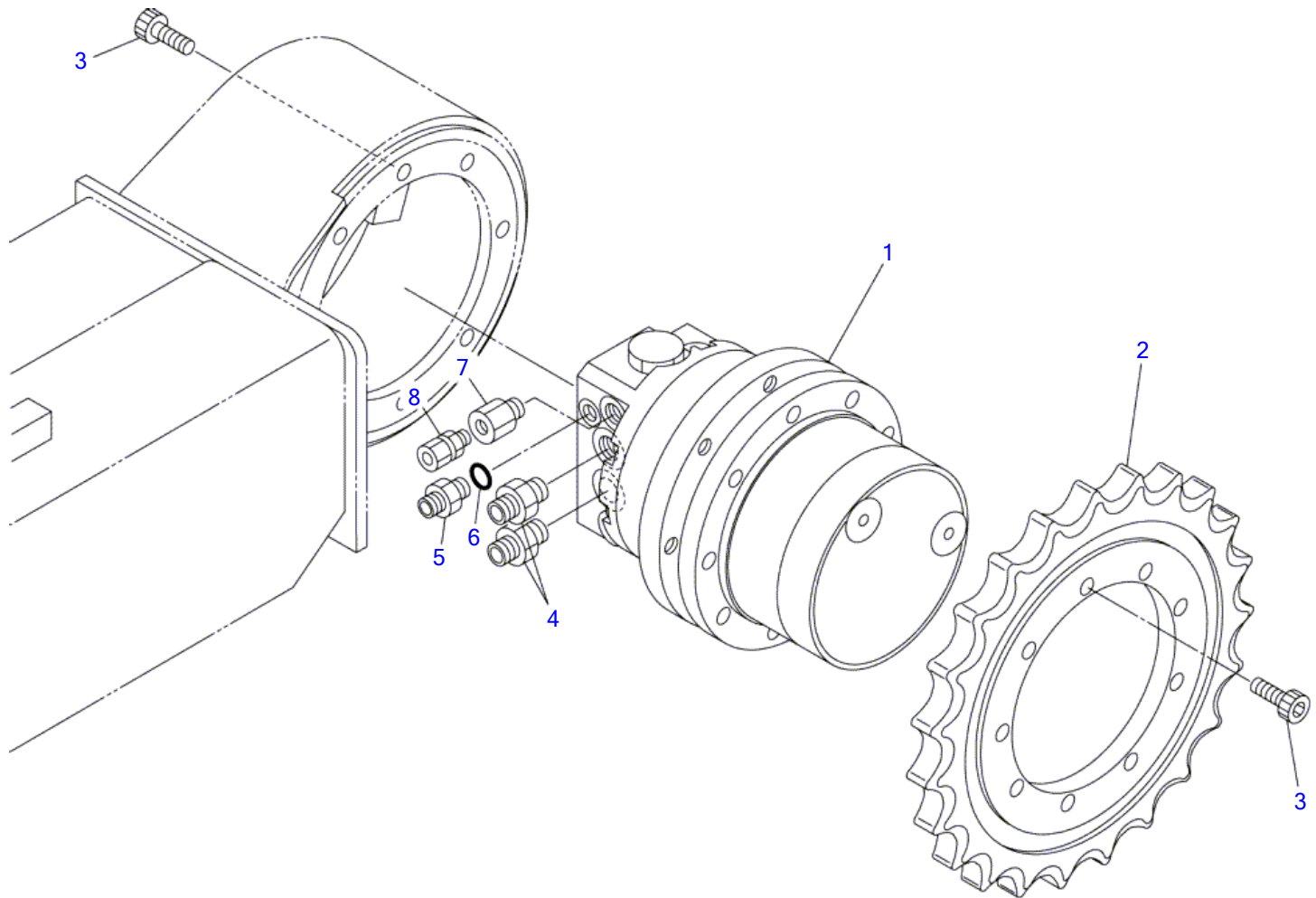
TB014 Book No. BC4Z004 S/N 11400003-11401973  
TRAVEL DEVICE (11400003-11400436)



C4A071

S-1/5

TRAVEL DEVICE (11400003-11400436)								
Item	Part number	Description	Q'ty	Chan.	Serial No.	Serv.	Remarks	
		MOTOR ASSY, travel					X03316-16000-1	
		MOTOR ASSY, travel (with P.B.)			11400263~11400436		X03316-18000-1	
1	<b>1903118000</b>	MOTOR, travel	2					
	<b>1903119800</b>	MOTOR, travel	2		11400263~11400436		with P.B.	
2	<b>0331610100</b>	SPROCKET	2					
3	<b>1100241022</b>	BOLT	16					
4	<b>1110041025</b>	SCREW, cap	18					
5	<b>1515600200</b>	ADAPTOR	4					
	<b>1420010110</b>	· O-RING	1				M	
	<b>1515600576</b>	ADAPTOR	4		11400263~11400436		with P.B.	
	<b>1420010140</b>	· O-RING	1				M	
6	<b>1532620802</b>	ELBOW	2		11400263~11400436		with P.B.	
	<b>C4a071</b>							



C4A160

S-1/4