

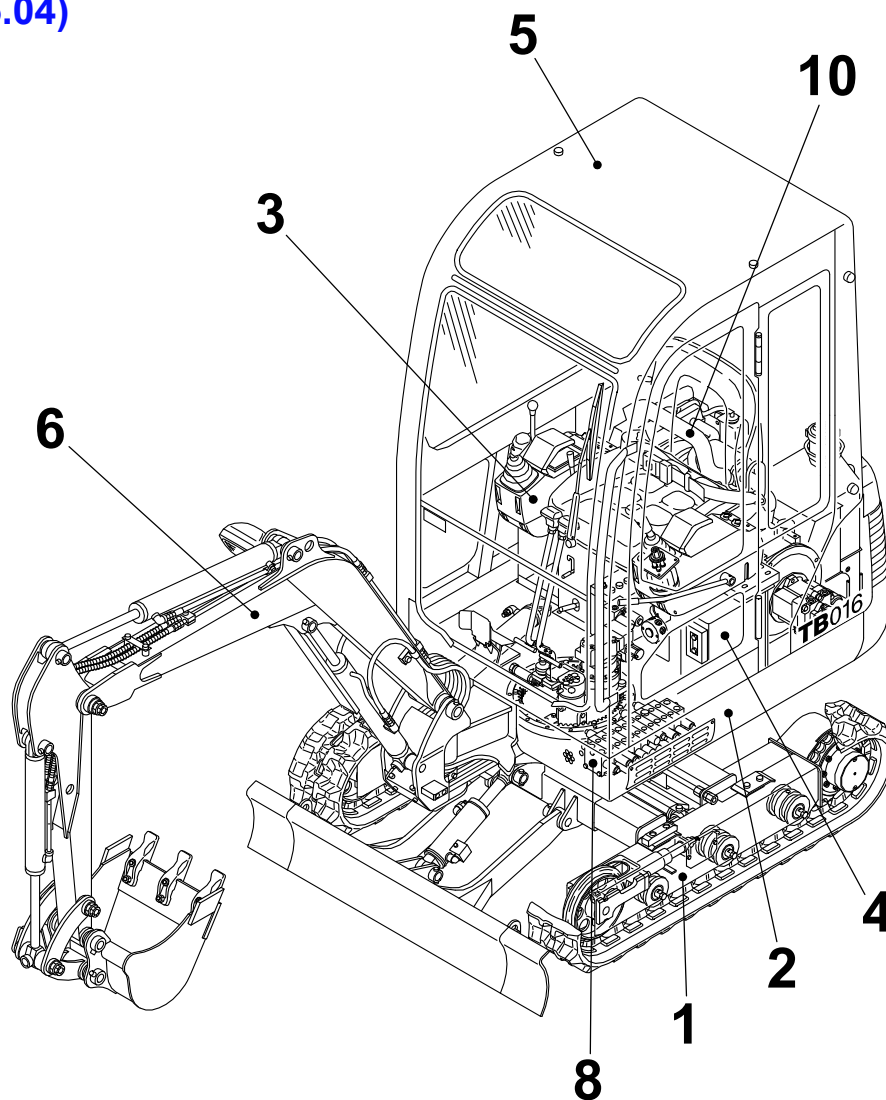
Index

TB014

Book No. BC4Z004

Serial No. 11400003-11401973

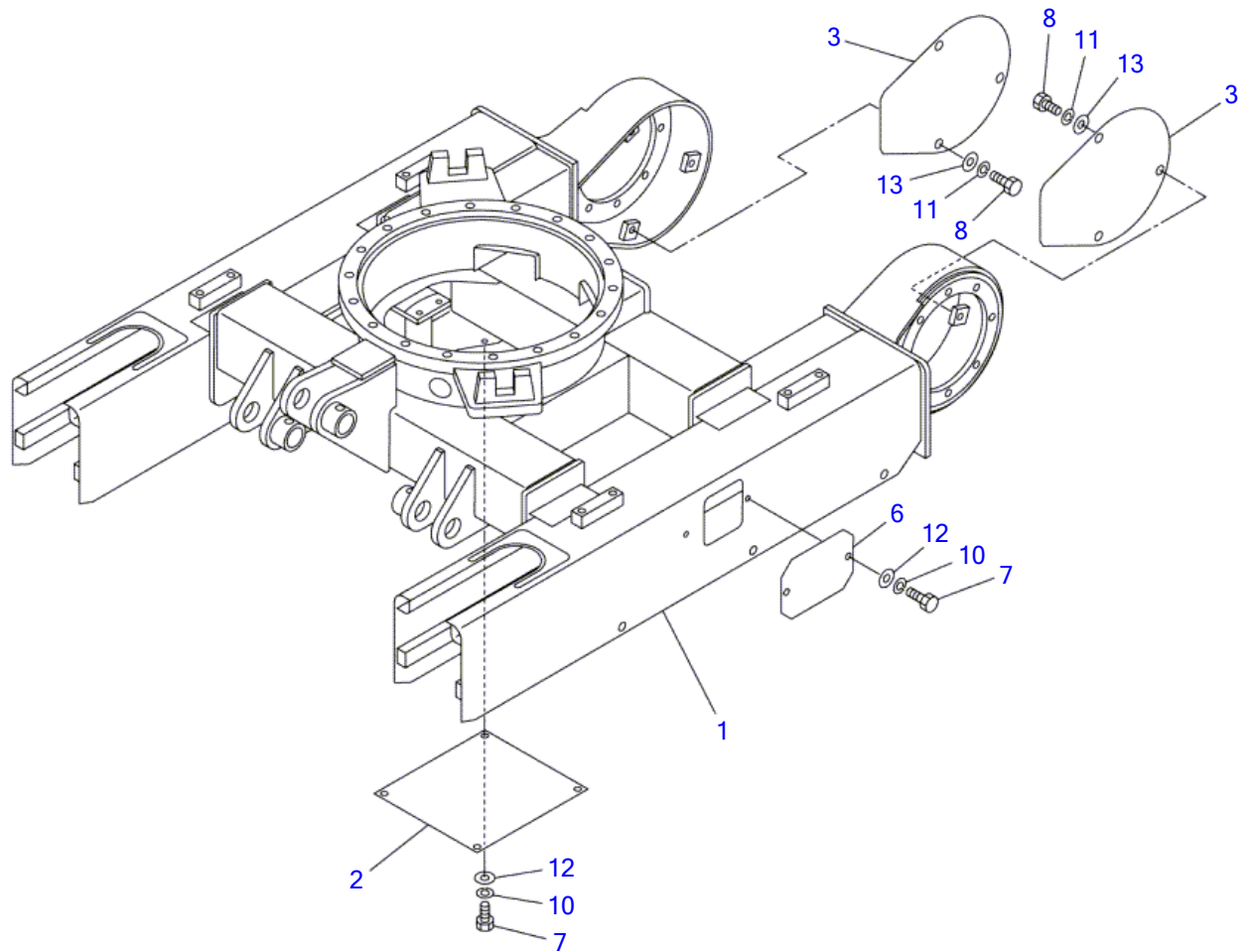
(2005.04)



TAKEUCHI

		INDEX							
Item	Part number	Description	Q'ty	Chan.	Serial No.	Serv.	Remarks		
1		UNDERCARRIAGE							
2		TURNTABLE & CONTROL LEVER							
3		ENGINE & ELECTRICAL SYSTEM							
4		HYDRAULIC PIPNG & TANK							
5		COVER & CAB							
6		HOE ATTACHMENT							
7		DECAL & TOOL							
8		HYDRAULIC DEVICE							
10		ENGINE(3TNE68-NTB)							
		ENGINE(3TNE68-TB1,ETB1)							
		2005.02.14							
99		KITS, ATTACHMENTS AND QUICK REFERENCE							

TB014 Book No. BC4Z004 S/N 11400003-11401973
LOWER FRAME

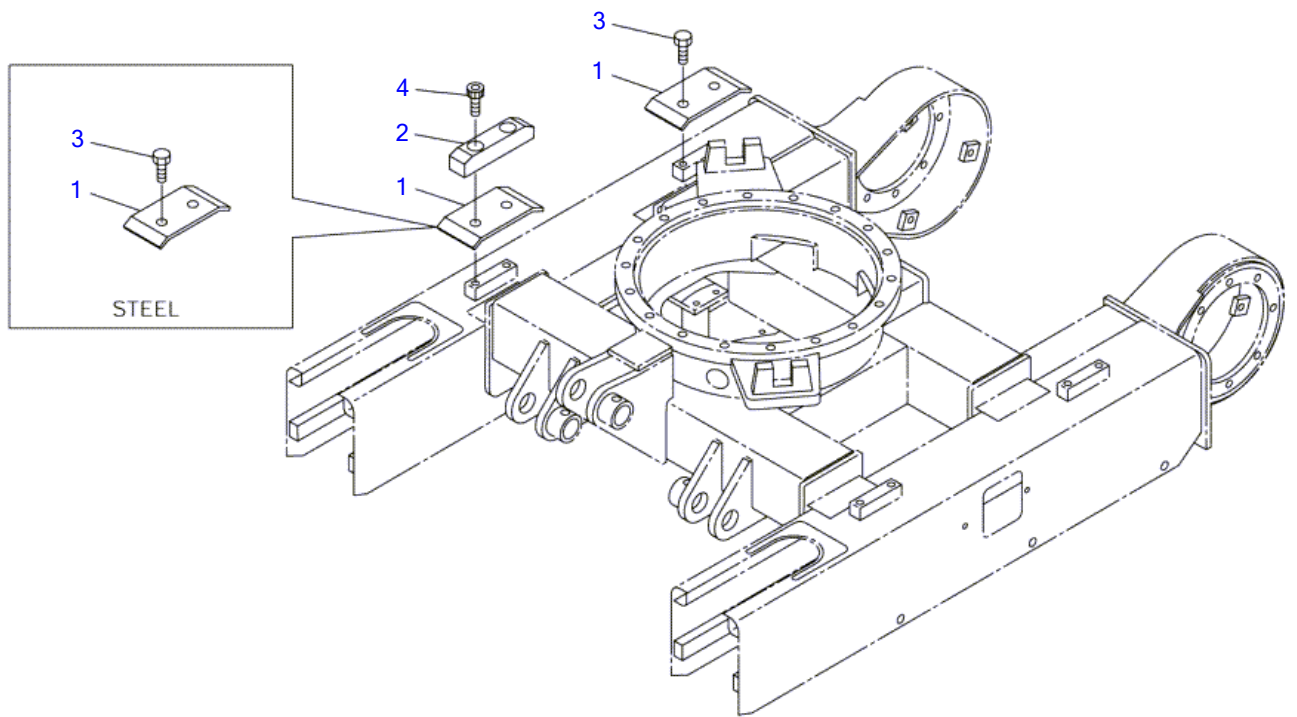


C4A011

S-1/10

LOWER FRAME						
Item	Part number	Description	Q'ty	Chan.	Serial No.	Serv. Remarks
		FRAME ASSY, lower				X03310-30000-1
1	X *****	FRAME	1			
2	0331010400	PLATE	1			
3	0331021003	COVER	2			
6	0331018600	COVER	2			
7	1100040816	BOLT	8			
8	1100041020	BOLT	6			
10	1140020008	WASHER, spring	8			
11	1140020010	WASHER, spring	6			
12	1141110008	WASHER	8			
13	1141110010	WASHER	6			
	C4a012					

TB014 Book No. BC4Z004 S/N 11400003-11401973
SHOE SLIDE

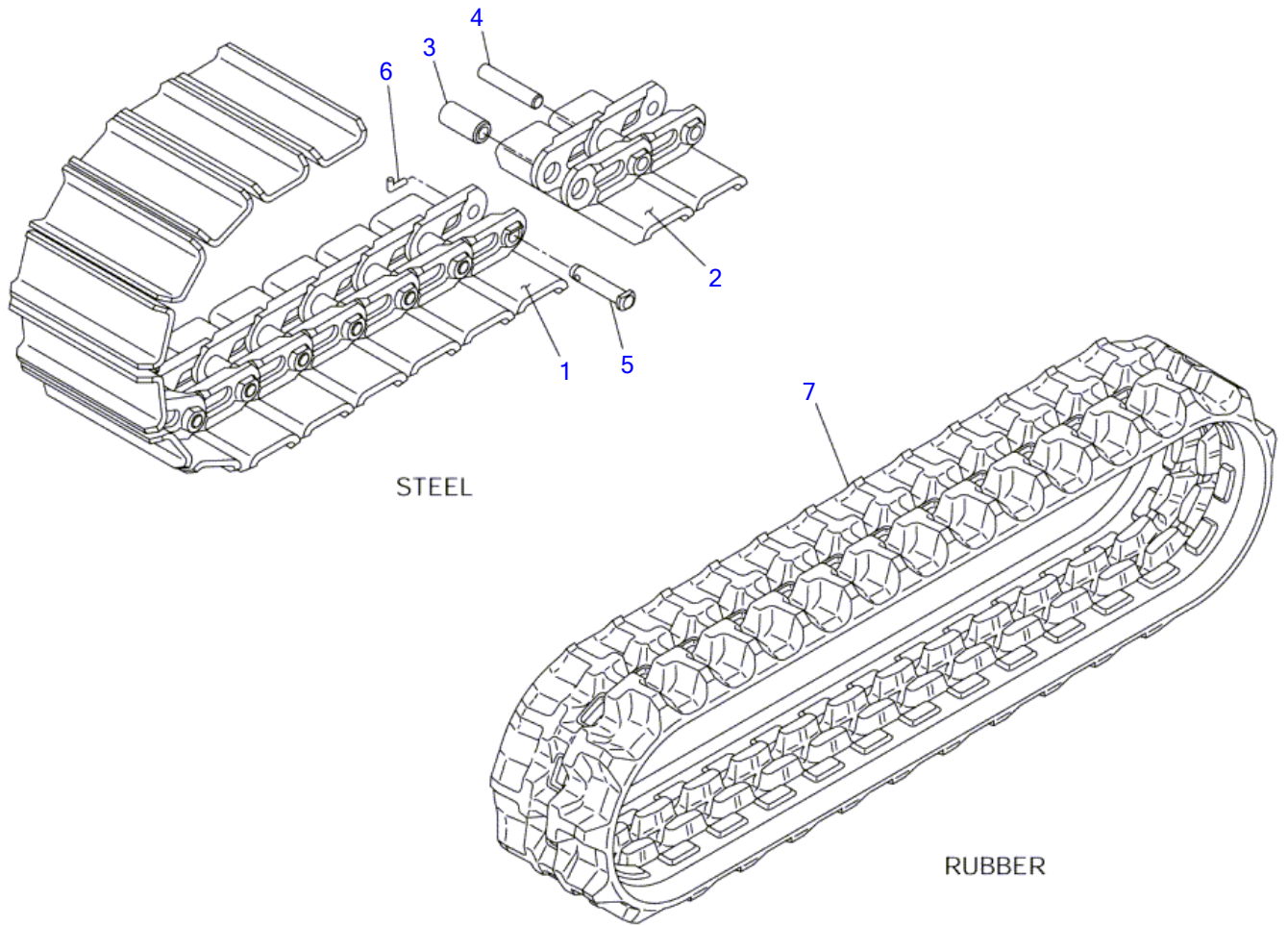


C4A200

S-1/10

SHOE SLIDE							
Item	Part number	Description	Q'ty	Chan.	Serial No.	Serv.	Remarks
		SHOE SLIDE ASSY (rubber)					X03312-02000-0
		SHOE SLIDE ASSY (steel)					X03312-02100-0
1	0421013800	SLIDE, shoe	4				
2	0331011200	GUIDE	2				rubber
3	1100041020	BOLT	4				rubber
	1100041020	BOLT	8				steel
4	1110041030	SCREW, cap	4				
	C4a200						

TB014 Book No. BC4Z004 S/N 11400003-11401973
CRAWLER BELT



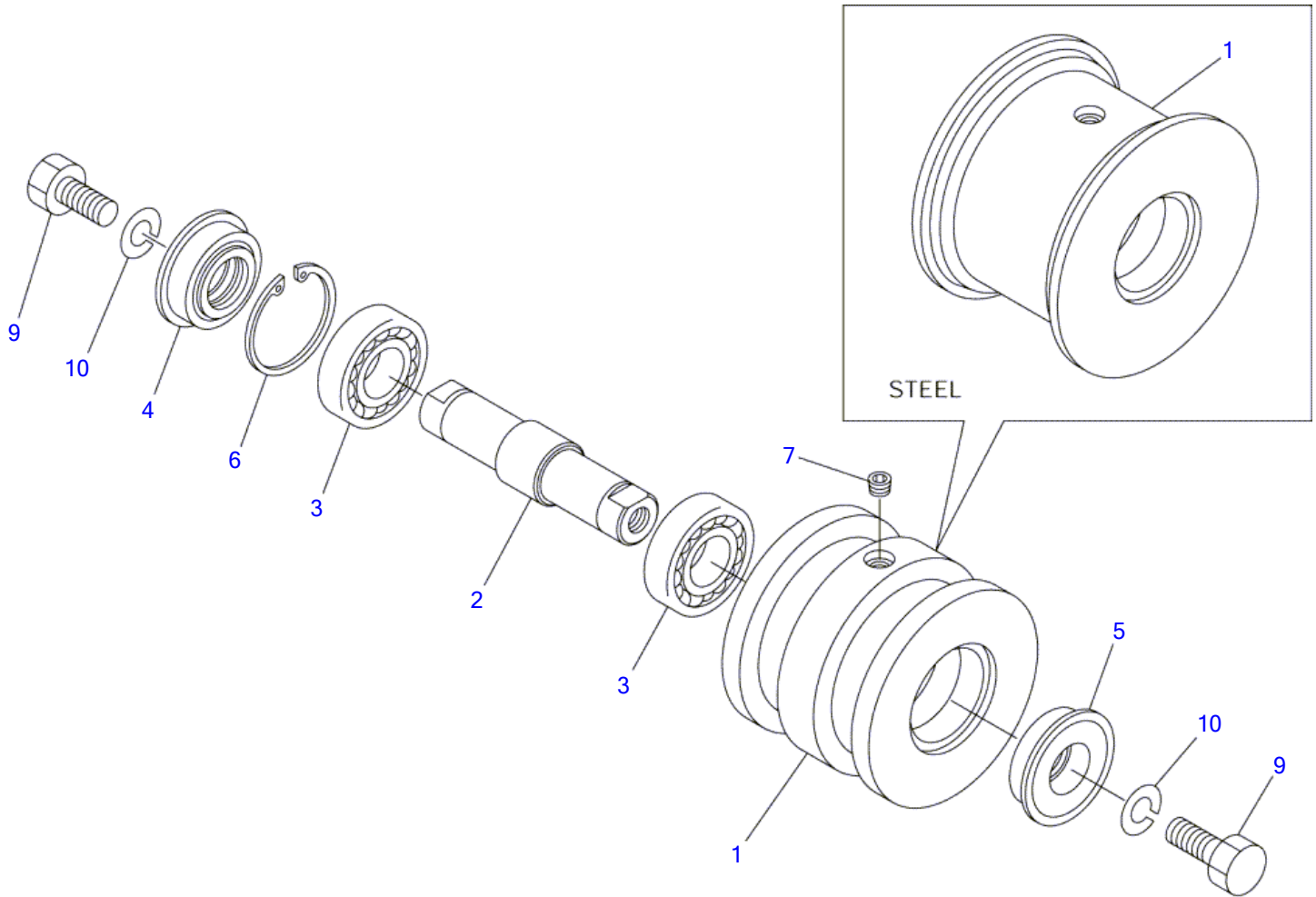
C4A030

S-1/8, 1/10

CRAWLER BELT

Item	Part number	Description	Q'ty	Chan.	Serial No.	Serv.	Remarks
0	1914050300	BELT, steel crawler	2				X19140-50300-0
1	1914050214	▪ PLATE ASSY, master	1				
2	1914050213	▪ PLATE ASSY	31				
3	1914050005	▪ BUSHING	32				
4	1914050006	▪ PIN, track	31				
5	1914050007	▪ PIN, master	1				
6	1914050008	▪ PIN, coter	1				
7	1914049300	BELT, rubber crawler	2		11400003~11400328		
	1914049800	BELT, rubber crawler	2	(H)	11400329~11400424		short pitch
	1914080400	BELT, rubber crawler	2	(H)	11400425~		short pitch
	C4a031S						

TB014 Book No. BC4Z004 S/N 11400003-11401973
TRACK ROLLER

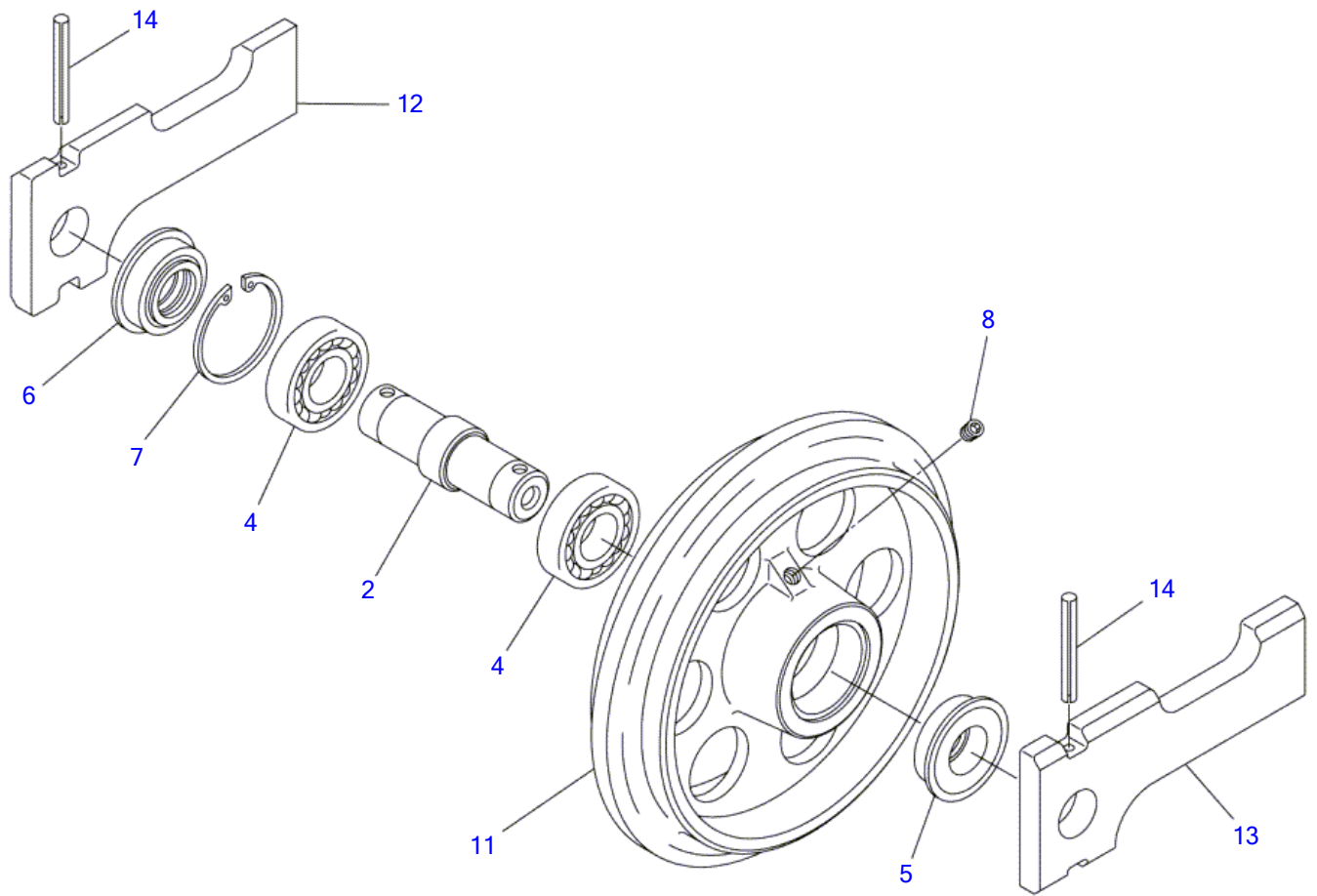


C4A040

S-1/3

TRACK ROLLER							
Item	Part number	Description	Q'ty	Chan.	Serial No.	Serv.	Remarks
		ROLLER ASSY, track (rubber crawler)					X03313-06000-1
		ROLLER ASSY, track (steel crawler)					X03313-07000-1
0-1	0331306100	ROLLER SUB ASSY	6				rubber crawler
	0331307100	ROLLER SUB ASSY	6				steel crawler
1	0331306200	• SHELL	1				rubber crawler
	0331307200	• SHELL	1				steel crawler
2	0421301300	• SHAFT	1				
3	1300006205	• BEARING	2				
4	1431202552	• SEAL	1				
5	1431202547	• SEAL	1				
6	1221000052	• RING, snap	1				
7	1501810001	• PLUG	1				
9	1101041225	BOLT	12				
10	1140010012	WASHER, spring	12				
	C4a042						

TB014 Book No. BC4Z004 S/N 11400003-11401973
FRONT IDLER

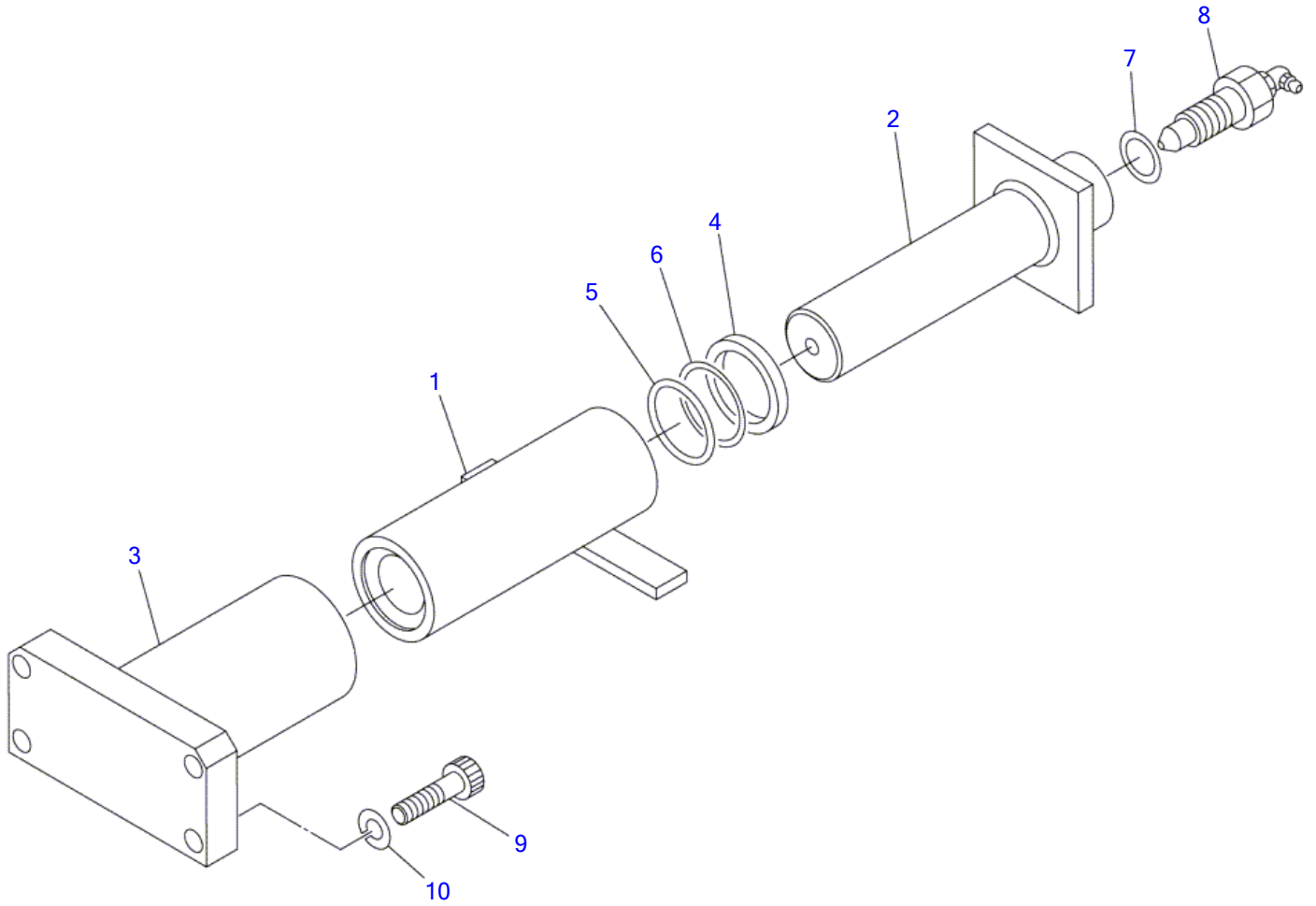


C4A050

S-1/4

Item	Part number	Description	FRONT IDLER			Remarks
			Q'ty	Chan.	Serial No. Serv.	
		IDLER ASSY, front				X03314-04000-1
0-1	0421401200	IDLER SUB ASSY	2			
2	0421400200	▪ SHAFT	1			
4	1300006206	▪ BEARING	2			
5	1431203055	▪ SEAL	1			
6	1431203062	▪ SEAL	1			
7	1221000062	▪ RING, snap	1			
8	1501810001	▪ PLUG	1			
11	0421401100	▪ IDLER	1			
12	0331404600	YOKE (R.H.)	2			
13	0331404700	YOKE (L.H.)	2			
14	1213000670	PIN, spring	4			
	C4a052					

TB014 Book No. BC4Z004 S/N 11400003-11401973
TRACK ADJUSTER (11400003-11400782)



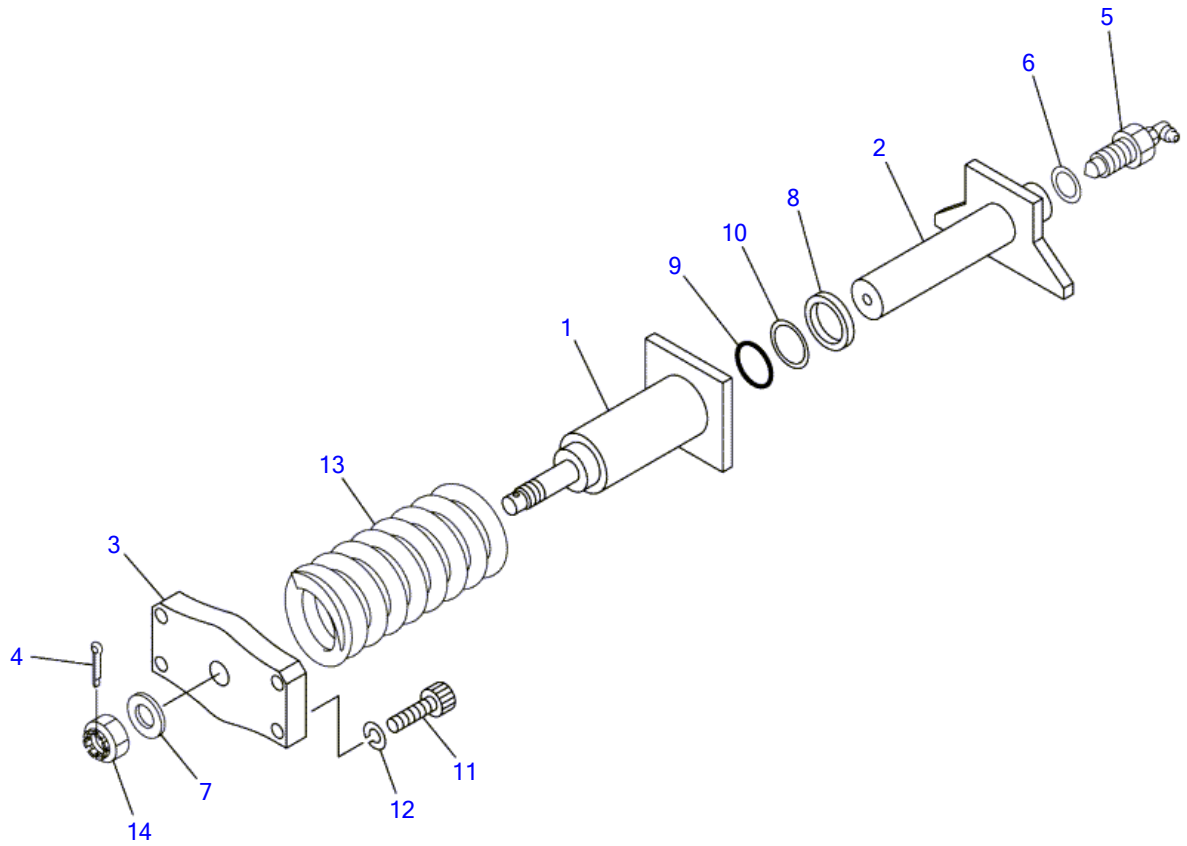
C4A060

S-1/3

TRACK ADJUSTER (11400003-11400782)

Item	Part number	Description	Q'ty	Chan.	Serial No.	Serv.	Remarks
0-1	0331506500	ADJUSTER ASSY, track	2				X03315-06500-1
1	0331506100	▪ CYLINDER, grease	1				
2	0331506200	▪ PISTON	1		11400003~11400010		
	0331506600	▪ PISTON	1	(H)	11400011~		
3	0331505300	▪ PLATE	1		11400003~11400010		
	0331506700	▪ PLATE	1	(H)	11400011~		
4	1400502033	▪ SEAL, oil	1				
5	1422010350	▪ O-RING	1				
6	1421020350	▪ RING, back-up	1				
7	1541201616	▪ WASHER	1				
8	1541301602	▪ VALVE ASSY, check	1				
9	1110041035	SCREW, cap	8				
10	1140420010	WASHER, spring	8				
	C4a062S						

TB014 Book No. BC4Z004 S/N 11400003-11401973
TRACK ADJUSTER (11400783-)



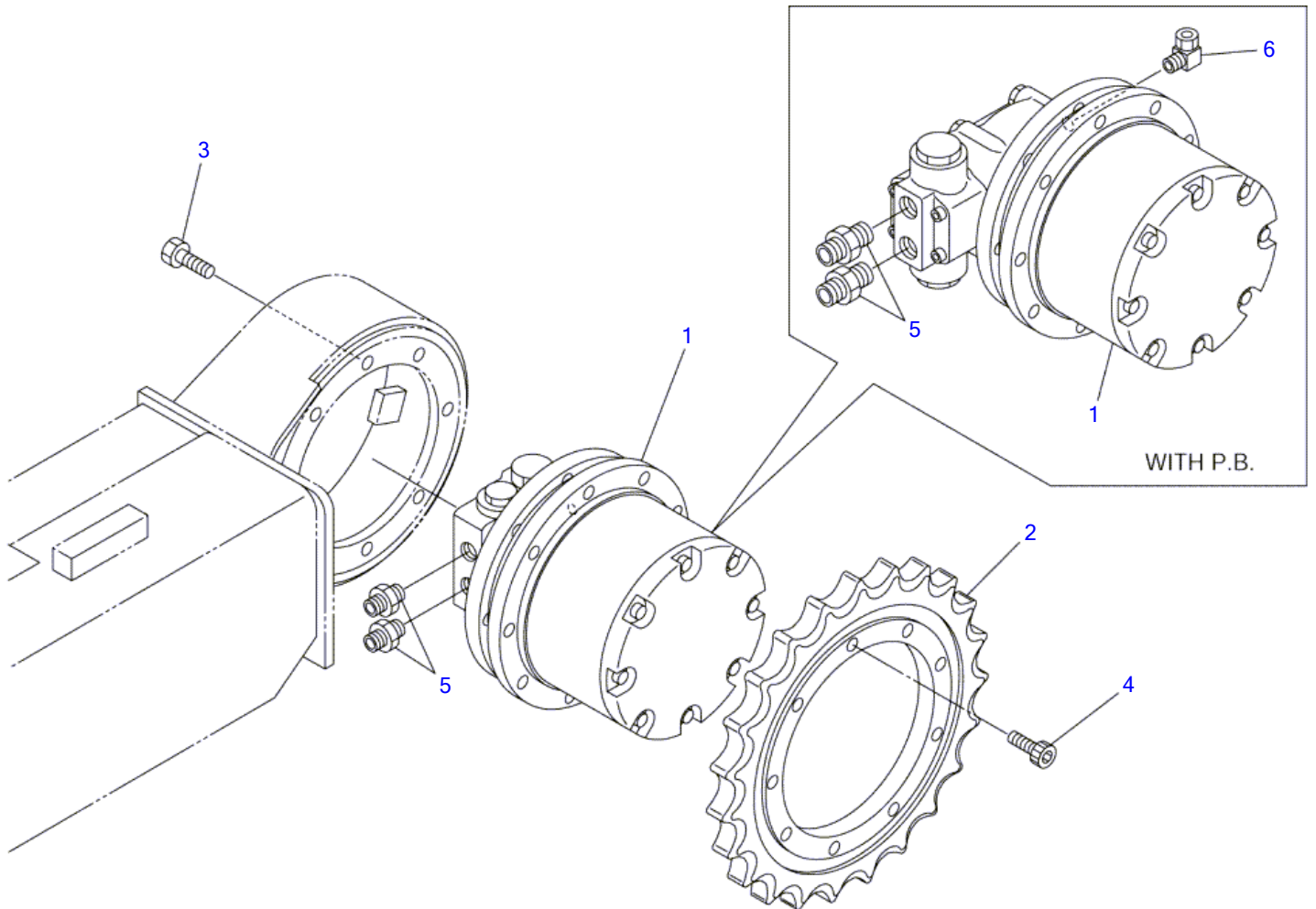
C4A150

S-1/5

TRACK ADJUSTER (11400783-)

Item	Part number	Description	Q'ty	Chan.	Serial No.	Serv.	Remarks
0-1	0331508500	ADJUSTER ASSY, track (R)	1				X03315-08500-4
	0331508900	ADJUSTER ASSY, track (L)	1				X03315-08900-4
1	0331508600	· CYLINDER, grease	1				
2	0331508700	· PISTON	1				
3	0331508030	· PLATE	1				
4	1210010440	· PIN, split	1				
5	1541301602	· VALVE ASSY, check	1				
6	1541201616	· WASHER	1				
7	1141540016	· WASHER	1				
8	1400401654	· SEAL, oil	1				
9	1422010300	· O-RING	1				
10	1421020300	· RING, back-up	1				
11	1110041035	SCREW, cap	8				
12	1140420010	WASHER, spring	8				
13	0007000018	SPRING	2				
14	1132080016	NUT	2				
	C4a152						

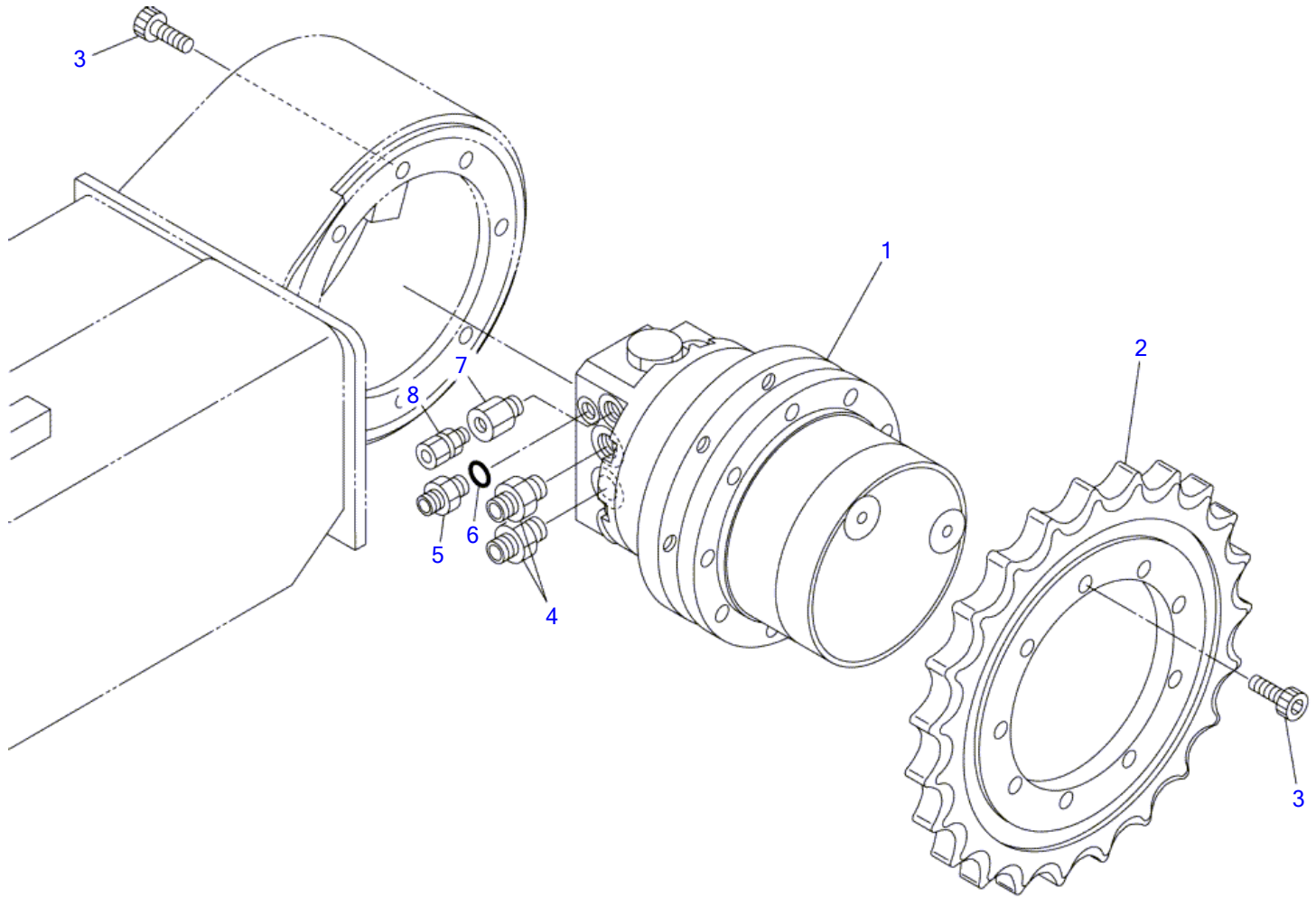
TB014 Book No. BC4Z004 S/N 11400003-11401973
TRAVEL DEVICE (11400003-11400436)



C4A071

S-1/5

TRAVEL DEVICE (11400003-11400436)								
Item	Part number	Description	Q'ty	Chan.	Serial No.	Serv.	Remarks	
		MOTOR ASSY, travel					X03316-16000-1	
		MOTOR ASSY, travel (with P.B.)			11400263~11400436		X03316-18000-1	
1	1903118000	MOTOR, travel	2					
	1903119800	MOTOR, travel	2		11400263~11400436		with P.B.	
2	0331610100	SPROCKET	2					
3	1100241022	BOLT	16					
4	1110041025	SCREW, cap	18					
5	1515600200	ADAPTOR	4					
	1420010110	· O-RING	1				M	
	1515600576	ADAPTOR	4		11400263~11400436		with P.B.	
	1420010140	· O-RING	1				M	
6	1532620802	ELBOW	2		11400263~11400436		with P.B.	
	C4a071							



C4A160

S-1/4