

FIG.NO.	DESCRIPTION	IL	LI	REMARKS
21-1	③Valve Mounting	△	×	#52~#107 except "MM-35" for England
21-2	③Valve Mounting	△	×	#108 ~
22-1	③Piping, Upper 1	×	×	#52~ for England, France, Singapore, & U.S.A.
22-2	③Piping, Upper 1	×	×	#91~ for Norway & Sweden
23-1	③Piping, Upper 2	×	△	#52~ for France, Singapore, & U.S.A. #108 ~ for England
23-2	③Piping, Upper 2	×	×	#91~ for Norway & Sweden
24	③Pump Drive, Main	△	×	#137 ~
25-1	③Hydraulic Tank	○	×	#21~#85
25-2	③Hydraulic Tank	○	×	#86~
26	③Fuel Tank	×	×	#56~
<b>Upper Machine. 4</b>				
27	③Cover	×	×	#52~
28-1	②Seat	○	○	#21~
28-2	②Seat	○	○	#21~
29	③Cabin	○	×	#66~
30	③Heater	△	×	#66~
<b>Hoe Attachment</b>				
31	③Hoe	×	×	#97~
32	③Bucket	×	×	#97~
33	③Piping, Hoe 1	×	×	#46~
34	③Piping, Hoe 2	×	×	#46~
* * * * *				
35-1	③Stickers (PRIESTMAN )	×	×	#108 ~
35-2	③Stickers (PeI-Job )	×	×	#52~
35-3	③Stickers (TCIM)		×	
35-4	③Stickers (PeI-Job for Sw. )		×	
35-5	③Stickers (ABS MASKIN)		×	
35-6	③Stickers (U.S. TAKEUCHI )	×	×	#21~

IL=Illustration KN=Key NO. LI=List  
 ○=Appropriated to △=Somewhat retouched ×=Newly drawn up

Rev.③

FIG.NO.	DESCRIPTION	IL	LI	REMARKS
35-7	③Stickers (GURIA)		×	
36	③Hools	○	△	#1 ~
<b>Hydraulic Devices</b>				
37	③Swivel Joint	×	×	#76~
38-1	③Control Valve, Main	×	×	#108 ~ for England
38-2	③Control Valve, Main	×	×	#52~ except "MM-35" for England
39	③Selector valve	○	○	#21~
40-1	②S.B. Valve	○	○	#21~
40-2	③S.B. Valve	×	×	#91~ for Norway & Sweden
41	Boom Cylinder	○	○	#1 ~
42	Arm Cylinder	○	○	#1 ~
43	Bucket Cylinder	○	○	#1 ~
44	③Blade Cylinder	○	○	#21~
45	Swing Cylinder	○	○	#1 ~
46	Traction Motor	○	○	#1 ~
47-1	Slew Motor	○	○	#1 ~
47-2	③Slew Motor	×	×	#91~ for Norway & Sweden
48	③Hydraulic Pump, Main	○	×	#137 ~
<b>Options</b>				
49	③Bucket	×	×	#97~
50	③Ejector Bucket	○	×	#1 ~
51	②Parts for the tropics	○	○	#21~
52	②Canopy	○	○	#21~
53	③Cover	△	×	#52~ for machine equipped with Canopy
54-1	②Seat	○	○	#21~
54-2	②Seat	○	○	#21~

IL=Illustration KN=Key NO. LI=List

○=Appropriated to

△=Somewhat retouched

×=Newly drawn up

Rev.③

# INDEX

## LOWER MACHINE

FIG. 01	LOWER FRAME
FIG. 02	TRACK SHOE
FIG. 03	CARRIER ROLLER
FIG. 04	TRACK ROLLER
FIG. 05	FRONT IDLER
FIG. 06	TRACK TENSION
FIG. 07	TRACK GEARBOX
FIG. 08	BLADE
FIG. 09	PIPING, LOWER

## UPPER MACHINE, 1

FIG. 10	SLEW GEARBOX
FIG. 11	TURNTABLE
FIG. 12	CONTROL LEVER, TRACTION
FIG. 13	CONTROL LEVER, OPERATION
FIG. 14	CONTROL LEVER, BLADE
FIG. 15	SELECTOR LEVER

## UPPER MACHINE, 2

FIG. 16	ENGINE & ACCESSORIES
FIG. 17	CONTROL BOX
FIG. 18	ENGINE CONTROL
FIG. 19	ELECTRICALS

# INDEX

## UPPER MACHINE, 3

FIG. 20	GREASE PIPING
FIG. 21	VALVE MOUNTING
FIG. 22	PIPING, UPPER 1
FIG. 23	PIPING, UPPER 2
FIG. 24	PUMP DRIVE, MAIN
FIG. 25	HYDRAULIC TANK
FIG. 26	FUEL TANK

## UPPER MACHINE, 4

FIG. 27	COVER
FIG. 28	SEAT
FIG. 28	SEAT
FIG. 29	CABIN
FIG. 30	HEATER

## HOE ATTACHMENT

FIG. 31	HOE
FIG. 32	BUCKET
FIG. 33	PIPING, HOE 1
FIG. 34	PIPING, HOE 2

\*\*\*\*\*

FIG. 35	STICKERS
FIG. 36	TOOLS

# INDEX

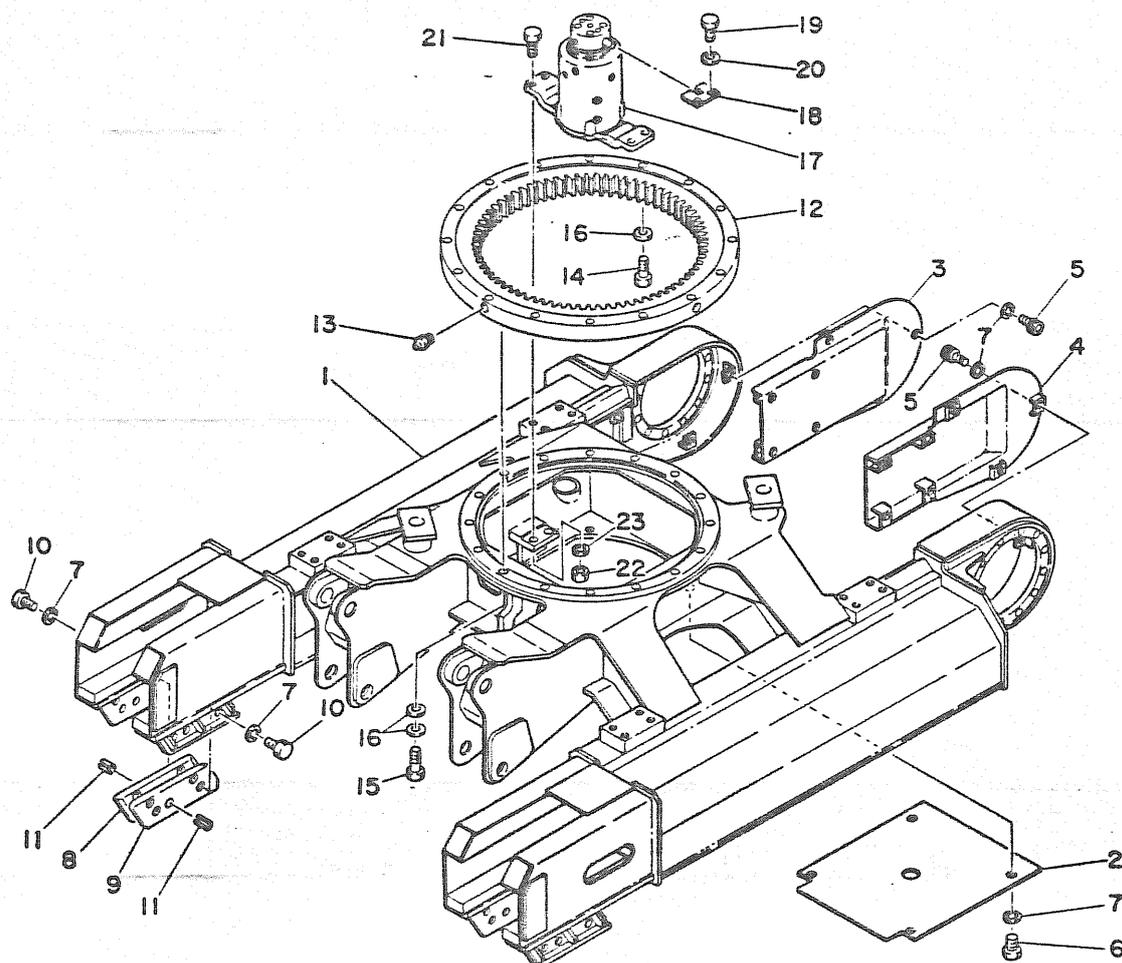
## HYDRAULIC DEVICES

FIG. 37	SWIVEL JOINT
FIG. 38	CONTROL VALVE
FIG. 39	SELECTOR VALVE
FIG. 40	S. B. VALVE
FIG. 41	BOOM CYLINDER
FIG. 42	ARM CYLINDER
FIG. 43	BUCKET CYLINDER
FIG. 44	BLADE CYLINDER
FIG. 45	SWING CYLINDER
FIG. 46	TRACTION MOTOR
FIG. 47	SLEW MOTOR
FIG. 48	HYDRAULIC PUMP, MAIN

## OPTIONS

FIG. 49	BUCKET
FIG. 50	EJECTOR BUCKET
FIG. 51	PARTS for the Tropics
FIG. 52	CANOPY
FIG. 53	COVER (for machine equipped with Canopy)
FIG. 54	SEAT

FIG. 01 LOWER FRAME



Item	PARTS NUMBER	DESCRIPTION	Qty	REMARKS
1	01410-56100	FRAME	1	
2	01310-01100	COVER	1	
3	01410-54900	COVER (R. H)	1	
4	01410-55000	COVER (L. H)	1	
5	11100-51016	BOLT, Socket	14	
6	11000-51020	BOLT	4	
7	11400-10010	WASHER, Spring	34	
8	01410-53400	GUIDE (R. H)	2	
9	01410-53600	GUIDE (L. H)	2	
10	11000-51025	BOLT	16	
11	12130-01025	PIN, Spring	4	
12	19130-01700	BEARING, Slew	1	
13	15600-11006	*NIPPLE, Grease	4	
14	11010-51260	BOLT	16	
15	11000-51260	BOLT	16	
16	11415-40012	WASHER	48	
17	19040-02400	JOINT, Swivel	1	
18	11321-00100	STOPPER	1	
19	11010-51430	BOLT	2	
20	11415-40014	WASHER	2	
21	11010-51240	BOLT	4	
22	11305-50012	NUT	4	
23	11400-10012	WASHER, Spring	4	

NOTE

#76~

Rev. ©