

FOREWORD

1. Foreword

A: FOREWORD

These manuals are used when performing maintenance, repair or diagnosis of Subaru LEGACY.

Applicable model:
2008MY BL****, BP****

The manuals contain the latest information at the time of publication. Changes in the specifications, methods, etc. may be made without notice.

How to Use This Manuals

HOW TO USE THIS MANUALS

1. How to Use This Manuals

A: HOW TO USE THIS MANUALS

1. STRUCTURE

Each section consists of SCT that are broken down into SC that are divided into sections for each component. The specification, maintenance and other information for the components are included, and the diagnostic information has also been added where necessary.

2. CONTENTS

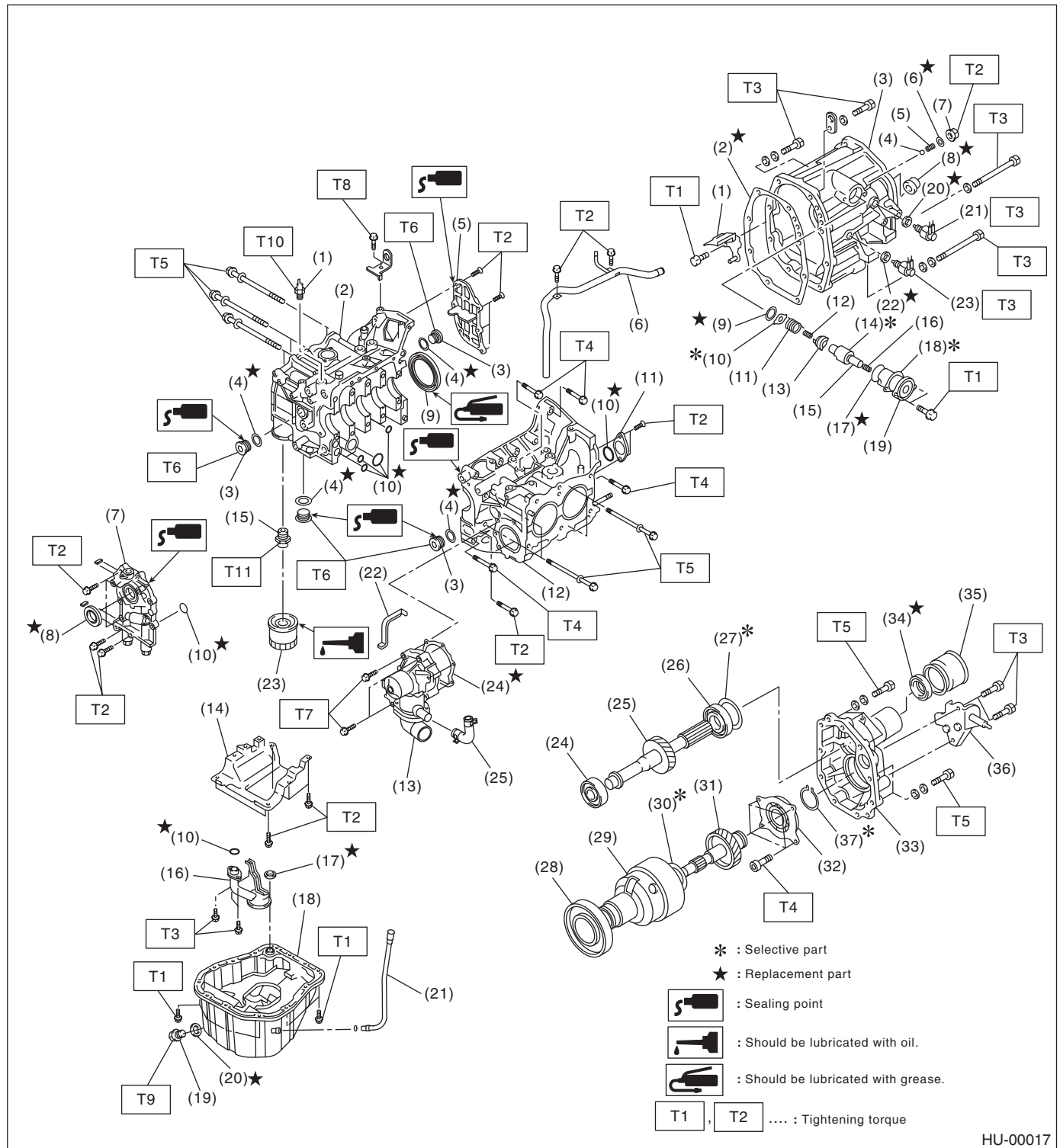
The first page has an index with tabs.

3. COMPONENT

Illustrations are provided for each component. The information necessary for repair work (tightening torque, grease up points, etc.) is described on these illustrations. Information is described using symbol.

To order parts, refer to parts catalogue.

Example:



HU-00017

How to Use This Manuals

HOW TO USE THIS MANUALS

4. SPECIFICATION

If necessary, specifications are also included.

5. INSPECTION

Inspections to be carried out before and after maintenance are included.

6. MAINTENANCE

- Maintenance instructions for serviceable parts describe work area and detailed step with illustration. It also describes the use of special tool, tightening torque, caution for each procedure.
- If many serviceable parts are included in one service procedure, appropriate reference is provided for each parts.

Example:

15. Main Shaft Assembly for Single-Range ← (A)

A: REMOVAL ← (B)

1) Remove the manual transmission assembly from vehicle. <Ref. to MT-33, REMOVAL, Manual Transmission Assembly.> ← (C)

11) Tighten the lock nuts to the specified torque using ST1 and ST2.

NOTE: ← (D)

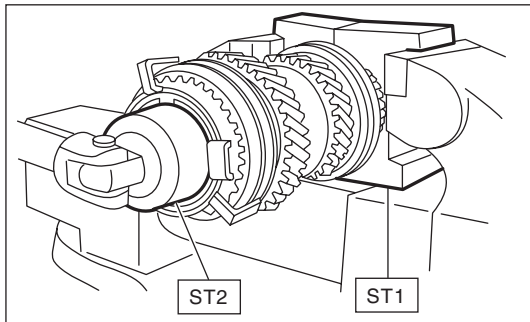
Secure the lock nuts in two places after tightening.

ST1 498937000 TRANSMISSION HOLDER

ST2 499987003 SOCKET WRENCH (35) ← (E) (F)

Tightening torque:

118 N·m (12.0 kgf-m, 86.8 ft-lb) ← (G)



HU-00020

(A) Component

(B) Process

(C) Reference

(D) Cautions

(E) Tool number of special tool

(F) Name of special tool

(G) Tightening torque

(H) Illustration

7. DIAGNOSIS

Tables showing a step-by-step process make it easy to conduct diagnosis.

8. SI UNITS

Measurements in these manuals are according to the SI units. Metric and yard/pound measurements are also included.

Example:

Tightening torque:

44 N·m (4.5 kgf·m, 33 ft·lb)

Item	SI units	Conventional unit	Remarks
Force	N (Newton)	kgf	1 kgf = 9.80655 N
Mass (Weight)	kg, g	kg, g	
Capacity	ℓ, mℓ or cm ³	ℓ or cc	1 cc = 1 cm ³ = 1 mℓ
Torque	N·m	kgf·m, kgf·cm	1 kgf·m = 9.80655 N·m
Rotating speed	rpm	rpm	
Pressure	kPa (kilopascal)	kgf/cm ²	1 kgf/cm ² = 98.0655 kPa
		mmHg	1 mmHg = 0.133322 kPa
Power	W	PS	1 PS = 0.735499 kW
Calorie	W·h	cal	1 kcal = 1.16279 W·h
Fuel consumption rate	g/kw·h	g/PS·h	1 g/PS·h = 1.3596 g/kW·h

The figure used in these manuals are described in the SI units and conventional units are described in ().

How to Use This Manuals

HOW TO USE THIS MANUALS

9. EXPLANATION OF TERMINOLOGY

List

AAI	: Air Assist Injection	MD	: Mini Disc
A/B	: Airbag	MID	: Multi-information Display
ABS	: Anti-lock Brake System	MFI	: Multi Point Injection
A/C	: Air Conditioner	MP-T	: Multi-Plate Transfer
A/F	: Air Fuel Ratio	MT	: Manual Transmission
ALT	: Generator	NA	: Natural Aspiration
ASSY	: Assembly	NC	: Normal Close (Relay)
AT	: Automatic Transmission	NO	: Normal Open (Relay)
ATF	: Automatic Transmission Fluid	OP	: Option Parts
AWD	: All Wheel Drive	P/S	: Power Steering
BATT	: Battery	P/W	: Power Window
CD-R/RW	: CD Recordable/Rewritable	PCD	: Pitch Circle Diameter
CPU	: Central Processing Unit	PCV	: Positive Crankcase Ventilation
DOHC	: Double Overhead Camshaft	RH	: RH (Right Hand)
DVD	: Digital Versatile Disc	Rr	: Rear
ECM	: Engine Control Module	SI-DRIVE	: SUBARU Intelligent Drive
EGR	: Exhaust Gas Recirculation	SOHC	: Single Overhead Camshaft
ELR	: Emergency Locking Retractor	SRS	: Supplemental Restraint System
EX	: Exhaust	SSM	: Subaru Select Monitor
F/B	: Fuse & Joint Box	ST	: Special Tool
FL	: Fusible Link	SW	: Switch
Ft	: Full-time (AWD)	TCS	: Traction Control System
FWD	: Front Wheel Drive	TGV	: Tumble Generator Valve
GPS	: Global Positioning System	T/M	: Transmission
H/U	: Hydraulic Unit	TPMS	: Tire Pressure Monitoring System
IG	: Ignition	ViS-C	: Viscous Coupling
INT	: Intermittent	VSV	: Vacuum Switching Valve
ISC	: Idle Speed Control	VTD	: Variable Torque Distribution
LH	: LH (Left Hand)	W/H	: Wiring Harness
LSD	: Limited Slip Differential	Pr	: Primary
M/B	: Main Fuse & Relay Box	2ndr	: Secondary

LEGACY

SPECIFICATIONS

1. LEGACY

A: DIMENSION

1. SEDAN MODEL

Model		2.5 L SOHC	2.5 L DOHC turbo	3.0 L DOHC
Overall length	mm (in)	4,700 (185.0)		
Overall width	mm (in)	1,730 (68.1)		
Overall height (at C.W.)	mm (in)	1,425 (56.1)	1,425 (56.1), 1,435 (56.5) ^{*2}	1,435 (56.5)
Compartment	Length	mm (in)	1,900 (74.8)	
	Width	mm (in)	1,445 (56.9)	
	Height	mm (in)	1,165 (45.9), 1,100 (43.3) ^{*1}	
Wheelbase	mm (in)	2,670 (105.1)		
Tread	Front	mm (in)	1,495 (58.9)	
	Rear	mm (in)	1,485 (58.5)	
Minimum road clearance	mm (in)	150 (5.9)	150 (5.9), 160 (6.3) ^{*2}	160 (6.3)

*1: With sunroof

*2: 2.5 GT spec. B model

2. WAGON MODEL

Model		2.5 L SOHC	2.5 L DOHC turbo
Overall length	mm (in)	4,785 (188.4)	
Overall width	mm (in)	1,730 (68.1)	
Overall height (at C.W.)	mm (in)	1,475 (58.1)	
Compartment	Length	mm (in)	1,840 (72.4)
	Width	mm (in)	1,445 (56.9)
	Height	mm (in)	1,190 (46.9), 1,145 (45.1) ^{*1}
Wheelbase	mm (in)	2,670 (105.1)	
Tread	Front	mm (in)	1,495 (58.9)
	Rear	mm (in)	1,485 (58.5)
Minimum road clearance	mm (in)	150 (5.9)	155 (6.1)

*1: With sunroof

B: ENGINE

Model		2.5 L SOHC	2.5 L DOHC turbo	3.0 L DOHC
Engine type		Horizontally opposed, liquid cooled, 4-cylinder, 4-stroke gasoline engine		Horizontally opposed, liquid cooled, 6-cylinder, 4-stroke gasoline engine
Valve arrangement		Overhead camshaft		
Bore × stroke	mm (in)	99.5 × 79.0 (3.917 × 3.110)		89.2 × 80.0 (3.512 × 3.150)
Displacement	cm ³ (cu in)	2,457 (149.9)		3,000 (183.06)
Compression ratio		10.0	8.4	10.7
Ignition order		1 — 3 — 2 — 4		1 — 6 — 3 — 2 — 5 — 4
Idle speed at Park or Neutral position	rpm	650 (MT) 700 (AT)	750	650
Maximum output	kW (HP)/rpm	125 (170)/6,000	184 (243)/6,000	185 (245)/6,600
Maximum torque	N·m (kgf-m, ft-lb)/rpm	230 (23.5, 170)/4,400	327 (33.3, 241)/3,600	291 (29.7, 215)/4,200

C: ELECTRICAL

Model			2.5 L SOHC	2.5 L DOHC turbo	3.0 L DOHC
Ignition timing (at idling)		BTDC	13°	MT: 12° AT: 17°	15°
Spark plug	Type and manufacturer		NGK: FR5AP-11	NGK: SILFR6A	NGK: ILFR6B
Generator			12V — 110A		
Battery	Type and capacity (5HR)	MT	12V — 48AH (55D23L)		
		AT	12V — 52AH (75D23L)		

D: TRANSMISSION

Model			2.5 L SOHC		2.5 L DOHC turbo			3.0 L DOHC
Transmission type			5MT	4AT	5MT	5AT	6MT	5AT
Clutch type			DSPD	TCC	DSPD	TCC	DSPD	TCC
Gear ratio	1st		3.454	2.785	3.166	3.540	3.636	3.540
	2nd		2.062	1.545	1.882	2.264	2.235	2.264
	3rd		1.448	1.000	1.296	1.471	1.521	1.471
	4th		1.088	0.694	0.972	1.000	1.137	1.000
	5th		0.780	—	0.738	0.834	0.891	0.834
	6th		—	—	—	—	0.707	—
	Rev.		3.333	2.272	3.333	2.370	3.545	2.370
Reduction gear (Front)	1st reduction	Type of gear	—	Helical	—	Helical	—	Helical
		Gear ratio	—	1.000	—	1.000	—	1.000
	Final reduction	Type of gear	Hypoid	Hypoid	Hypoid	Hypoid	Hypoid	Hypoid
		Gear ratio	3.900	4.111	3.900	3.083	3.900	3.272
Reduction gear (Rear)	Transfer reduction	Type of gear	Helical	—	Helical	—	Helical	—
		Gear ratio	1.000	—	1.000	—	1.100	—
	Final reduction	Type of gear	Hypoid	Hypoid	Hypoid	Hypoid	Hypoid	Hypoid
		Gear ratio	3.900	4.111	3.900	3.083	3.545	3.272

5MT: 5-forward speeds with synchromesh and 1-reverse

4AT: Electronically controlled fully-automatic, 4-forward speeds and 1-reverse

5AT: Electronically controlled fully-automatic, 5-forward speeds and 1-reverse

DSPD: Dry Single Plate Diaphragm

TCC: Torque Converter Clutch

E: STEERING

Model			2.5 L SOHC	2.5 L DOHC turbo	3.0 L DOHC
Type			Rack & pinion		
Turns, lock to lock			3.2	2.8, 2.6 ^{*1}	2.6
Minimum turning diameter	m (ft)	Curb to curb	10.8 (35.4), 11.6 (38.0) ^{*1}		11.6 (38.0)
		Wall to wall	11.6 (38.1), 12.4 (40.7) ^{*1}		12.4 (40.7)

^{*1}: 2.5 GT spec. B model

F: SUSPENSION

Front	Macpherson strut type suspension
Rear	Multi-link type suspension

LEGACY

SPECIFICATIONS

G: BRAKE

Model	2.5 L SOHC	2.5 L DOHC turbo	3.0 L DOHC
Service brake system	Dual circuit hydraulic with vacuum suspended power unit		
Front	Ventilated disc brake		
Rear	Disc brake	Ventilated disc brake	
Parking brake	Mechanical on rear brakes		

H: TIRE

Model	2.5 L SOHC	2.5 L DOHC turbo	3.0 L DOHC
Wheel size	16 × 6 ¹ / ₂ JJ ^{*2} , 17 × 7JJ	17 × 7JJ, 18 × 7JJ ^{*1}	18 × 7JJ
Tire size	P205/55 R16 89H ^{*2} , P205/50 R17 88V	215/45 R17 91W, 215/45 R18 89Y ^{*1}	P215/45 R18 89W
Type	Tubeless, Steel belted radial		

*1: 2.5 GT spec. B model

*2: Model for Canada

I: CAPACITY

Model		2.5 L SOHC		2.5 L DOHC turbo			3.0 L DOHC
		5MT	4AT	5MT	5AT	6MT	5AT
Fuel tank	ℓ (US gal, Imp gal)	64 (16.9, 14.1)					
Engine oil	Total capacity (Overhaul)	5.0 (5.3, 4.4)					7.0 (7.4, 6.2)
	Filling amount of engine oil ℓ (US qt, Imp qt)	When replacing engine oil and oil filter		4.3 (4.5, 3.8)			5.7 (6.0, 5.0)
		When replacing engine oil only		4.0 (4.2, 3.5)			5.5 (5.8, 4.8)
Transmission gear oil	ℓ (US qt, Imp qt)	3.5 (3.7, 3.1)	—	3.5 (3.7, 3.1)	—	4.1 (4.3, 3.6)	—
ATF	ℓ (US qt, Imp qt)	—	9.3 (9.8, 8.2)	—	9.8 (10.4, 8.6)	—	9.8 (10.4, 8.6)
Front differential gear oil	ℓ (US qt, Imp qt)	—	1.2 (1.3, 1.1)	—	1.4 (1.5, 1.2)	—	1.4 (1.5, 1.2)
Rear differential gear oil	ℓ (US qt, Imp qt)	0.8 (0.8, 0.7)				1.0 (1.1, 0.9)	0.8 (0.8, 0.7)
Power steering fluid	ℓ (US qt, Imp qt)	0.7 (0.7, 0.6)					
Engine coolant	ℓ (US qt, Imp qt)	6.4 (6.8, 5.6)	6.3 (6.7, 5.5)	7.3 (7.7, 6.4)	7.2 (7.6, 6.3)	7.3 (7.7, 6.4)	7.2 (7.6, 6.3)

J: WEIGHT

1. US MODEL

Model		Sedan							
		2.5 L SOHC							
		2.5 i					2.5 i Limited		
		5MT		4AT			4AT		
Curb weight (C.W.)	Front	kg (lb)	819 (1,805)	826 (1,820)	839 (1,850)	846 (1,865)	841 (1,855)	850 (1,875)	853 (1,880)
	Rear	kg (lb)	665 (1,465)	674 (1,485)	669 (1,475)	678 (1,495)	669 (1,475)	676 (1,490)	676 (1,490)
	Total	kg (lb)	1,483 (3,270)	1,499 (3,305)	1,508 (3,325)	1,524 (3,360)	1,510 (3,330)	1,526 (3,365)	1529 (3,370)
Gross axle weight ratio (G.A.W.R.)	Front	kg (lb)	1,040 (2,295)	1,040 (2,295)	1,040 (2,295)	1,040 (2,295)	1,040 (2,295)	1,040 (2,295)	1,040 (2,295)
	Rear	kg (lb)	1,060 (2,340)	1,060 (2,340)	1,060 (2,340)	1,060 (2,340)	1,060 (2,340)	1,060 (2,340)	1,060 (2,340)
Gross vehicle weight (G.V.W.)		kg (lb)	1,960 (4,325)	1,960 (4,325)	1,960 (4,325)	1,960 (4,325)	1,960 (4,325)	1,960 (4,325)	1,960 (4,325)
Option	Vehicle dynamics control		—	—	—	—	○	—	○
	Power package		—	—	—	—	—	○	○
	Side airbag		○	○	○	○	○	○	○
	Curtain airbag		○	○	○	○	○	○	○
	Sunroof		—	○	—	○	—	○	○
	Navigation (DVD)		—	—	—	—	—	—	—

LEGACY

SPECIFICATIONS

Model		Sedan						
		2.5 L DOHC turbo					3.0 L DOHC	
		2.5 GT Limited				2.5 GT spec. B	3.0 R Limited	
		5MT	5AT		6MT	5AT		
Curb weight (C.W.)	Front	kg (lb)	871 (1,920)	898 (1,980)	900 (1,985)	903 (1,990)	912 (2,010)	928 (2,045)
	Rear	kg (lb)	678 (1,495)	683 (1,505)	683 (1,505)	683 (1,505)	689 (1,520)	680 (1,500)
	Total	kg (lb)	1,549 (3,415)	1,581 (3,485)	1,583 (3,490)	1,585 (3,495)	1,601 (3,530)	1,608 (3,545)
Gross axle weight ratio (G.A.W.R.)	Front	kg (lb)	1,040 (2,295)	1,040 (2,295)	1,040 (2,295)	1,040 (2,295)	1,040 (2,295)	1,040 (2,295)
	Rear	kg (lb)	1,060 (2,340)	1,060 (2,340)	1,060 (2,340)	1,060 (2,340)	1,060 (2,340)	1,060 (2,340)
Gross vehicle weight (G.V.W.)		kg (lb)	2,010 (4,435)	2,010 (4,435)	2,010 (4,535)	2,010 (4,435)	2,010 (4,435)	2,010 (4,535)
Option	Vehicle dynamics control		—	—	○	○	○	○
	Power package		○	○	○	○	○	○
	Side airbag		○	○	○	○	○	○
	Curtain airbag		○	○	○	○	○	○
	Sunroof		○	○	○	○	○	○
	Navigation (DVD)		—	—	—	○	○	○

2. CANADA MODEL

Model			Sedan					
			2.5 L SOHC					
			2.5 i		2.5 i Limited			
			5MT	4AT	4AT			
Curb weight (C.W.)	Front	kg (lb)	819 (1,805)	826 (1,820)	839 (1,850)	846 (1,865)	850 (1,875)	853 (1,880)
	Rear	kg (lb)	665 (1,465)	674 (1,485)	669 (1,475)	678 (1,495)	676 (1,490)	676 (1,490)
	Total	kg (lb)	1,483 (3,270)	1,499 (3,305)	1,508 (3,325)	1,524 (3,360)	1,526 (3,365)	1,529 (3,370)
Gross axle weight ratio (G.A.W.R.)	Front	kg (lb)	1,040 (2,295)	1,040 (2,295)	1,040 (2,295)	1,040 (2,295)	1,040 (2,295)	1,040 (2,295)
	Rear	kg (lb)	1,060 (2,340)	1,060 (2,340)	1,060 (2,340)	1,060 (2,340)	1,060 (2,340)	1,060 (2,340)
Gross vehicle weight (G.V.W.)		kg (lb)	1,960 (4,325)	1,960 (4,325)	1,960 (4,325)	1,960 (4,325)	1,960 (4,325)	1,960 (4,325)
Option	Vehicle dynamics control		—	—	—	—	—	○
	Power package		—	—	—	—	○	○
	Side airbag		○	○	○	○	○	○
	Curtain airbag		○	○	○	○	○	○
	Sunroof		—	○	—	○	○	○
	Navigation (DVD)		—	—	—	—	—	—

LEGACY

SPECIFICATIONS

Model		Sedan				Wagon				
		2.5 L DOHC turbo				2.5 L SOHC				
		2.5 GT Limited			2.5 GT spec. B	2.5 i				
		5MT	5AT		6MT	5MT		4AT		
Curb weight (C.W.)	Front	kg (lb)	871 (1,920)	898 (1,980)	900 (1,985)	912 (2,010)	814 (1,795)	821 (1,810)	835 (1,840)	841 (1,855)
	Rear	kg (lb)	678 (1,495)	683 (1,505)	683 (1,505)	689 (1,520)	685 (1,510)	694 (1,530)	685 (1,510)	694 (1,530)
	Total	kg (lb)	1,549 (3,415)	1,581 (3,485)	1,583 (3,490)	1,601 (3,530)	1,499 (3,305)	1,515 (3,340)	1,520 (3,350)	1,535 (3,385)
Gross axle weight ratio (G.A.W.R.)	Front	kg (lb)	1,040 (2,295)	1,040 (2,295)	1,040 (2,295)	1,040 (2,295)	1,040 (2,295)	1,040 (2,295)	1,040 (2,295)	1,040 (2,295)
	Rear	kg (lb)	1,060 (2,340)	1,060 (2,340)	1,060 (2,340)	1,060 (2,340)	1,060 (2,340)	1,060 (2,340)	1,060 (2,340)	1,060 (2,340)
Gross vehicle weight (G.V.W.)		kg (lb)	2,010 (4,435)	2,010 (4,435)	2,010 (4,435)	2,010 (4,435)	1,960 (4,325)	1,960 (4,325)	1,960 (4,325)	1,960 (4,325)
Option	Vehicle dynamics control		—	—	○	○	—	—	—	—
	Power package		○	○	○	○	—	—	—	—
	Side airbag		○	○	○	○	○	○	○	○
	Curtain airbag		○	○	○	○	○	○	○	○
	Sunroof		○	○	○	○	—	○	—	○
	Navigation (DVD)		—	—	—	○	—	—	—	—

Model		Wagon		
		2.5 L DOHC turbo		
		2.5 GT Limited		
		5MT	5AT	
Curb weight (C.W.)	Front	kg (lb)	869 (1,915)	898 (1,980)
	Rear	kg (lb)	703 (1,550)	703 (1,550)
	Total	kg (lb)	1,572 (3,465)	1,601 (3,530)
Gross axle weight ratio (G.A.W.R.)	Front	kg (lb)	1,040 (2,295)	1,040 (2,295)
	Rear	kg (lb)	1,060 (2,340)	1,060 (2,340)
Gross vehicle weight (G.V.W.)		kg (lb)	2,060 (4,545)	2,060 (4,545)
Option	Vehicle dynamics control		—	—
	Power package		○	○
	Side airbag		○	○
	Curtain airbag		○	○
	Sunroof		○	○
	Navigation (DVD)		—	—

3. OPTION

Option	Front kg (lb)	Rear kg (lb)	Total kg (lb)
Vehicle Dynamics Control	5.6 (12.4)	0.2 (0.4)	5.8 (12.7)
Audio	1.8 (4.0)	0.7 (1.5)	2.5 (5.5)
Power package	1.8 (4.0)	3.1 (6.8)	4.9 (10.8)
Side airbag	1.9 (4.2)	1.9 (4.2)	3.8 (8.4)
Curtain airbag (Sedan model)	0.4 (0.9)	5.3 (11.7)	5.7 (12.6)
Curtain airbag (Wagon model)	0.5 (1.1)	5.0 (11.0)	5.5 (12.1)
Sunroof (Sedan model)	8.1 (17.9)	8.9 (19.6)	17.0 (37.5)
Sunroof (Wagon model)	8.3 (18.3)	18.7 (41.3)	27.0 (59.6)
Navigation (DVD)	2.2 (4.9)	0.8 (1.8)	3.0 (6.6)

OUTBACK

SPECIFICATIONS

2. OUTBACK

A: DIMENSION

1. WAGON MODEL

Model		2.5 L SOHC	2.5 L DOHC turbo	3.0 L DOHC
Overall length	mm (in)	4,800 (189.0)		
Overall width	mm (in)	1,770 (69.7)		
Overall height (at C.W.)	mm (in)	1,605 (63.2)		
Compartment	Length	mm (in)	1,840 (72.4)	
	Width	mm (in)	1,445 (56.9)	
	Height	mm (in)	1,190 (46.9), 1,145 (45.1) ^{*1}	
Wheelbase	mm (in)	2,670 (105.1)		
Tread	Front	mm (in)	1,495 (58.9)	
	Rear	mm (in)	1,490 (58.7)	
Minimum road clearance	mm (in)	215 (8.5)	220 (8.7)	215 (8.5)

*1: With sunroof

B: ENGINE

Model		2.5 L SOHC	2.5 L DOHC turbo	3.0 L DOHC
Engine type		Horizontally opposed, liquid cooled, 4-cylinder, 4-stroke gasoline engine		Horizontally opposed, liquid cooled, 6-cylinder, 4-stroke gasoline engine
Valve arrangement		Overhead camshaft		
Bore × stroke	mm (in)	99.5 × 79.0 (3.917 × 3.110)		89.2 × 80.0 (3.512 × 3.150)
Displacement	cm ³ (cu in)	2,457 (149.9)		3,000 (183.06)
Compression ratio		10.0	8.4	10.7
Ignition order		1 — 3 — 2 — 4		1 — 6 — 3 — 2 — 5 — 4
Idle speed at Park or Neutral position	rpm	650 (MT) 700 (AT)	750	650
Maximum output	kW (HP)/rpm	125 (170)/6,000	184 (243)/6,000	185 (245)/6,600
Maximum torque	N·m (kgf·m, ft·lb)/rpm	230 (23.5, 170)/4,400	327 (33.3, 241)/3,600	291 (29.7, 215)/4,200

C: ELECTRICAL

Model		2.5 L SOHC	2.5 L DOHC turbo	3.0 L DOHC
Ignition timing (at idling)	BTDC	MT: 10° AT: 15°	MT: 12° AT: 17°	15°
Spark plug	Type and manufacturer	NGK: FR5AP-11	NGK: SILFR6A	NGK: ILFR6B
Generator		12V — 110A		
Battery	Type and capacity (5HR)	MT	12V — 48AH (55D23L)	
		AT	12V — 52AH (75D23L)	

D: TRANSMISSION

Model		2.5 L SOHC		2.5 L DOHC turbo		3.0 L DOHC	
Transmission type		5MT	4AT	5MT	5AT	5AT	
Clutch type		DSPD	TCC	DSPD	TCC	TCC	
Gear ratio	1st	3.454	2.785	3.166	3.540	3.540	
	2nd	2.062	1.545	1.882	2.264	2.264	
	3rd	1.448	1.000	1.296	1.471	1.471	
	4th	1.088	0.694	0.972	1.000	1.000	
	5th	0.825	—	0.738	0.834	0.834	
	Rev.	3.333	2.272	3.333	2.370	2.370	
Reduction gear (Front)	1st reduction	Type of gear	—	Helical	—	Helical	Helical
		Gear ratio	—	1.000	—	1.000	1.000
	Final reduction	Type of gear	Hypoid	Hypoid	Hypoid	Hypoid	Hypoid
		Gear ratio	4.111	4.444	4.444	3.272	3.272
Reduction gear (Rear)	Transfer reduction	Type of gear	Helical	—	Helical	—	—
		Gear ratio	1.000	—	1.000	—	—
	Final reduction	Type of gear	Hypoid	Hypoid	Hypoid	Hypoid	Hypoid
		Gear ratio	4.111	4.444	4.444	3.272	3.272

5MT: 5-forward speeds with synchromesh and 1-reverse

4AT: Electronically controlled fully-automatic, 4-forward speeds and 1-reverse

5AT: Electronically controlled fully-automatic, 5-forward speeds and 1-reverse

DSPD: Dry Single Plate Diaphragm

TCC: Torque Converter Clutch

E: STEERING

Model		2.5 L SOHC	2.5 L DOHC turbo	3.0 L DOHC
Type		Rack & pinion		
Turns, lock to lock		3.2		
Minimum turning diameter	m (ft)	Curb to curb	10.8 (35.4)	
		Wall to wall	11.6 (38.1)	

F: SUSPENSION

Front	Macpherson strut type suspension
Rear	Multi-link type suspension

OUTBACK

SPECIFICATIONS

G: BRAKE

Model	2.5 L SOHC	2.5 L DOHC turbo	3.0 L DOHC
Service brake system	Dual circuit hydraulic with vacuum suspended power unit		
Front	Ventilated disc brake		
Rear	Disc brake		
Parking brake	Mechanical on rear brakes		

H: TIRE

Model	2.5L SOHC BASE	2.5 L SOHC	2.5 L DOHC turbo	3.0 L DOHC
Wheel size	16 × 6 ¹ / ₂ JJ	16 × 6 ¹ / ₂ JJ ^{*1} , 17 × 7JJ	17 × 7JJ	17 × 7JJ
Tire size	P225/60 R16 97H	P225/60 R16 97H ^{*1} , P225/55 R17 95V		
Type	Tubeless, Steel belted radial			

*1: 2.5 L SOHC model for Canada

I: CAPACITY

Model		2.5 L SOHC		2.5 L DOHC turbo		3.0 L DOHC
		5MT	4AT	5MT	5AT	5AT
Fuel tank		ℓ (US gal, Imp gal)		64 (16.9, 14.1)		
Engine oil	Total capacity (Overhaul)	ℓ (US qt, Imp qt)		5.0 (5.3, 4.4)		7.0 (7.4, 6.2)
	Filling amount of engine oil ℓ (US qt, Imp qt)	When replacing engine oil and oil filter		4.2 (4.4, 3.7)	4.3 (4.5, 3.8)	5.7 (6.0, 5.0)
		When replacing engine oil only		4.0 (4.2, 3.5)		5.5 (5.8, 4.8)
Transmission gear oil		ℓ (US qt, Imp qt)		3.5 (3.7, 3.1)	—	3.5 (3.7, 3.1)
ATF		ℓ (US qt, Imp qt)		—	9.3 (9.8, 8.2)	—
Front differential gear oil		ℓ (US qt, Imp qt)		—	1.2 (1.3, 1.1)	—
Rear differential gear oil		ℓ (US qt, Imp qt)		0.8 (0.8, 0.7)		
Power steering fluid		ℓ (US qt, Imp qt)		0.7 (0.7, 0.6)		
Engine coolant		ℓ (US qt, Imp qt)		6.4 (6.8, 5.6)	6.3 (6.7, 5.5)	7.3 (7.7, 6.4)
				7.2 (7.6, 6.3)	7.2 (7.6, 6.3)	7.2 (7.6, 6.3)

J: WEIGHT

1. US MODEL

Model			Wagon				
			2.5 L SOHC				
			2.5 i				
			5MT		4AT		
Curb weight (C.W.)	Front	kg (lb)	823 (1,815)	830 (1,830)	844 (1,860)	846 (1,865)	846 (1,865)
	Rear	kg (lb)	696 (1,535)	705 (1,555)	696 (1,535)	696 (1,535)	696 (1,535)
	Total	kg (lb)	1,520 (3,350)	1,535 (3,385)	1,540 (3,395)	1,542 (3,400)	1,542 (3,400)
Gross axle weight ratio (G.A.W.R.)	Front	kg (lb)	1,040 (2,295)	1,040 (2,295)	1,040 (2,295)	1,040 (2,295)	1,040 (2,295)
	Rear	kg (lb)	1,060 (2,340)	1,060 (2,340)	1,060 (2,340)	1,060 (2,340)	1,060 (2,340)
Gross vehicle weight (G.V.W.)		kg (lb)	2,010 (4,435)	2,010 (4,435)	2,010 (4,435)	2,010 (4,435)	2,010 (4,435)
Option	Vehicle dynamics control		—	—	—	○	—
	Power package		—	—	—	—	—
	Side airbag		○	○	○	○	○
	Curtain airbag		○	○	○	○	○
	Sunroof		—	○	—	—	—
	Navigation (DVD)		—	—	—	—	○

Model			Wagon				
			2.5 L SOHC				
			2.5 i Limited				
			5MT		4AT		
Curb weight (C.W.)	Front	kg (lb)	837 (1,845)	857 (1,890)	860 (1,895)	860 (1,895)	862 (1,900)
	Rear	kg (lb)	712 (1,570)	712 (1,570)	712 (1,570)	712 (1,570)	712 (1,570)
	Total	kg (lb)	1,549 (3,415)	1,569 (3,460)	1,572 (3,465)	1,572 (3,465)	1,574 (3,470)
Gross axle weight ratio (G.A.W.R.)	Front	kg (lb)	1,040 (2,295)	1,040 (2,295)	1,040 (2,295)	1,040 (2,295)	1,040 (2,295)
	Rear	kg (lb)	1,060 (2,340)	1,060 (2,340)	1,060 (2,340)	1,060 (2,340)	1,060 (2,340)
Gross vehicle weight (G.V.W.)		kg (lb)	2,010 (4,435)	2,010 (4,435)	2,010 (4,435)	2,010 (4,435)	2,010 (4,435)
Option	Vehicle dynamics control		—	—	○	—	○
	Power package		○	○	○	○	○
	Side airbag		○	○	○	○	○
	Curtain airbag		○	○	○	○	○
	Sunroof		○	○	○	○	○
	Navigation (DVD)		—	—	—	○	○

OUTBACK

SPECIFICATIONS

Model			Wagon			
			2.5 L DOHC turbo			
			2.5 XT Limited			
			5MT		5AT	
Curb weight (C.W.)	Front	kg (lb)	880 (1,940)	882 (1,945)	912 (2,010)	914 (2,015)
	Rear	kg (lb)	723 (1,595)	723 (1,595)	723 (1,595)	723 (1,595)
	Total	kg (lb)	1,603 (3,535)	1,606 (3,540)	1,635 (3,605)	1,637 (3,610)
Gross axle weight ratio (G.A.W.R.)	Front	kg (lb)	1,040 (2,295)	1,040 (2,295)	1,040 (2,295)	1,040 (2,295)
	Rear	kg (lb)	1,060 (2,340)	1,060 (2,340)	1,060 (2,340)	1,060 (2,340)
Gross vehicle weight (G.V.W.)	kg (lb)		2,060 (4,545)	2,060 (4,545)	2,060 (4,545)	2,060 (4,545)
Option	Vehicle dynamics control		○	○	○	○
	Power package		○	○	○	○
	Side airbag		○	○	○	○
	Curtain airbag		○	○	○	○
	Sunroof		○	○	○	○
	Navigation (DVD)		—	○	—	○

Model			Wagon	
			3.0 L DOHC	
			3.0 R LL Bean	
			5AT	
Curb weight (C.W.)	Front	kg (lb)	923 (2,035)	925 (2,040)
	Rear	kg (lb)	719 (1,585)	719 (1,585)
	Total	kg (lb)	1,642 (3,620)	1,644 (3,625)
Gross axle weight ratio (G.A.W.R.)	Front	kg (lb)	1,040 (2,295)	1,040 (2,295)
	Rear	kg (lb)	1,060 (2,340)	1,060 (2,340)
Gross vehicle weight (G.V.W.)	kg (lb)		2,100 (4,635)	2,100 (4,635)
Option	Vehicle dynamics control		○	○
	Power package		○	○
	Side airbag		○	○
	Curtain airbag		○	○
	Sunroof		○	○
	Navigation (DVD)		—	○

2. CANADA MODEL

Model			Wagon					
			2.5 L SOHC					
			2.5 i			2.5 i Limited		
			5MT		4AT		4AT	
Curb weight (C.W.)	Front	kg (lb)	823 (1,815)	830 (1,830)	844 (1,860)	850 (1,875)	857 (1,890)	860 (1,895)
	Rear	kg (lb)	696 (1,535)	705 (1,555)	696 (1,535)	705 (1,555)	712 (1,570)	712 (1,570)
	Total	kg (lb)	1,520 (3,350)	1,535 (3,385)	1,540 (3,395)	1,556 (3,430)	1,569 (3,460)	1,572 (3,465)
Gross axle weight ratio (G.A.W.R.)	Front	kg (lb)	1,040 (2,295)	1,040 (2,295)	1,040 (2,295)	1,040 (2,295)	1,040 (2,295)	1,040 (2,295)
	Rear	kg (lb)	1,060 (2,340)	1,060 (2,340)	1,060 (2,340)	1,060 (2,340)	1,060 (2,340)	1,060 (2,340)
Gross vehicle weight (G.V.W.)		kg (lb)	2,010 (4,435)	2,010 (4,435)	2,010 (4,435)	2,010 (4,435)	2,010 (4,435)	2,010 (4,435)
Option	Vehicle dynamics control		—	—	—	—	—	○
	Power package		—	—	—	—	○	○
	Side airbag		○	○	○	○	○	○
	Curtain airbag		○	○	○	○	○	○
	Sunroof		—	○	—	○	○	○
	Navigation (DVD)		—	—	—	—	—	—