



ERSATZTEILLISTE

Spare Parts List
Catalogue de pièces détachées
Catalogo parti di ricambio
Catálogo de recambio

LPG GABELSTAPLER

LPG Fork Truck
Chariot élévateur
Carrello elevatore
Carretilla elevadora

STILL
ELECTRONIC
DOCUMENTATION
SYSTEM

RC41-25 T
RC41-30 T



4094 4095

54048010011 - 01.2014

first in intralogistics

Fig	Part-No.	Qty.	Description	Remark	validity	trucks
▶ 00			MOTOR			
▶ 01			ENGINE AUXILIARY PARTS			
▶ 02			AXLES			
▶ 03			CHASSIS AND DRIVER			
▶ 04			STEERING SYSTEM			
▶ 05			CONTROLS			
▶ 06			ELECTRICS AND ELECTRONICS			
▶ 07			HYDRAULIC UNIT			
▶ 08			MAST ASSEMBLY AND AUXILIARY HYDRAULICS			
▶ 09			OPTIONS AND ACCESSORIES			
▶ 10			MISCELLANEOUS			
▶						
▶						
▶						
▶						
▶						
▶						
▶						
▶						
▶						
▶						
▶						
▶						
▶						
▶						
▶						
▶						
▶						

Fig	Part-No.	Qty.	Description	Remark	validity	trucks
▶ 00/00			indication			
▶ 00/01			CRANKCASE			
▶ 00/02			OIL PAN			
▶ 00/03			CYLINDER HEAD			
▶ 00/04			GEAR CASE			
▶ 00/05			HEAD COVER			
▶ 00/06			OIL FILTER			
▶ 00/07			DIPSTICK AND GUIDE			
▶ 00/08			OIL PUMP			
▶ 00/09			MAIN BEARING CASE			
▶ 00/10			CAMSHAFT AND IDLE GEAR SHAFT			
▶ 00/11			PISTON AND CRANKSHAFT			
▶ 00/12			FLYWHEEL			
▶ 00/13			GOVERNOR			
▶ 00/14			IGNITION COIL			
▶ 00/15			COVER			
▶ 00/16			ALTERNATOR AND PULLEY			
▶ 00/17			ALTERNATOR			
▶ 00/18			STARTER			
▶ 00/19			STARTER [COMPONENT PARTS]			
▶ 00/20			WATER FLANGE AND THERMOSTAT			
▶ 00/21			WATER PUMP			
▶ 00/22			FAN			
▶ 00/23			VALVE AND ROCKER ARM			
▶ 00/24			INLET MANIFOLD			
▶ 00/25			EXHAUST MANIFOLD			
▶ 00/26			OIL COOLER			
▶ 00/27			ECU			
▶ 00/28			ACCESSORIES AND SERVICE PARTS			
▶ 00/29			UPPER GASKET KIT			
▶ 00/30			LOWER GASKET KIT			
▶ 00/31			METAL KIT			

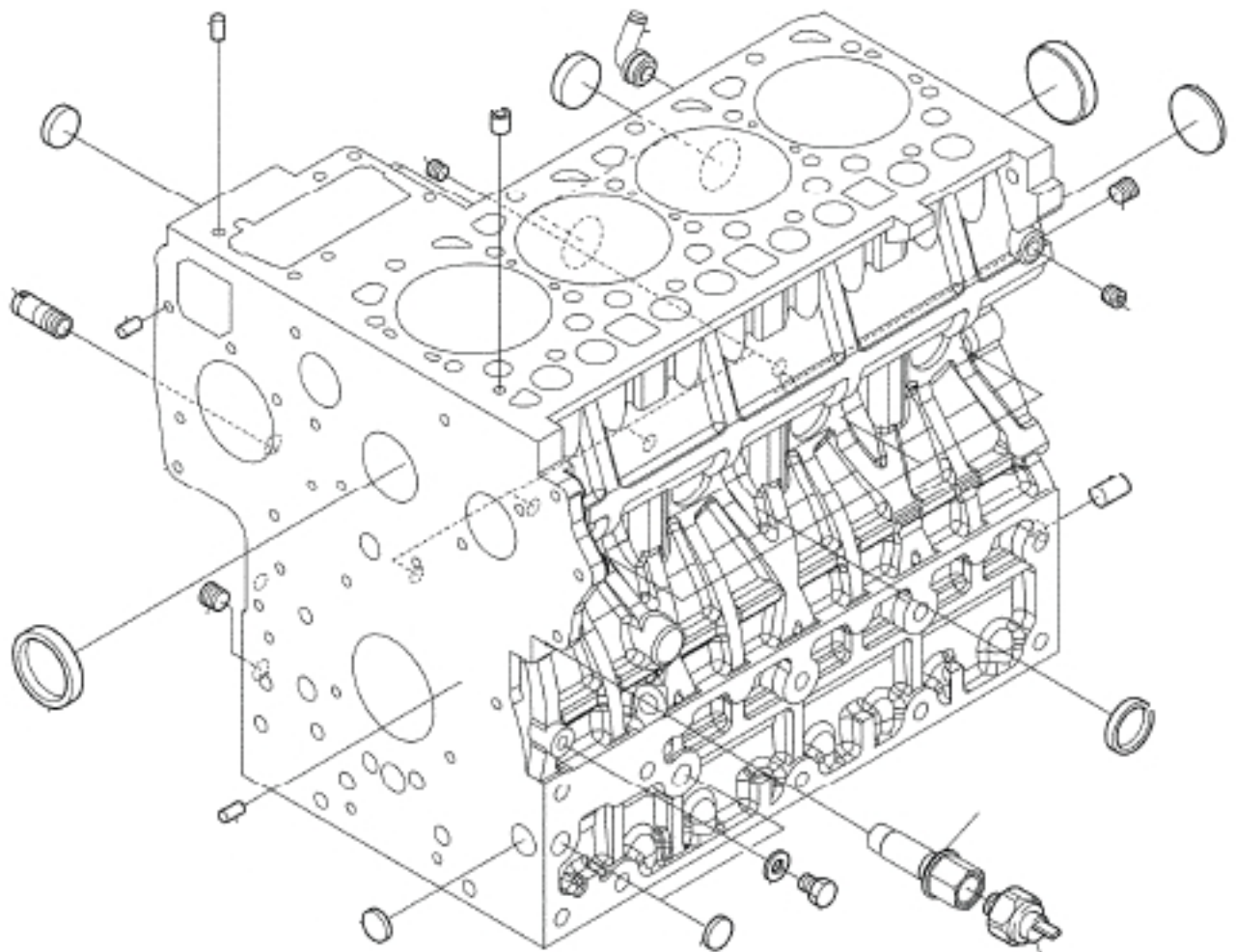
Fig	Part-No.	Qty.	Description	Remark	validity	trucks
▶ 00/32			PISTON KIT			
▶						
▶						
▶						
▶						
▶						
▶						
▶						
▶						
▶						
▶						

NOTE

WHEN ORDERING REPLACEMENT PARTS FOR THE MOTOR; PLEASE GIVE THE FOLLOWING INFORMATION:

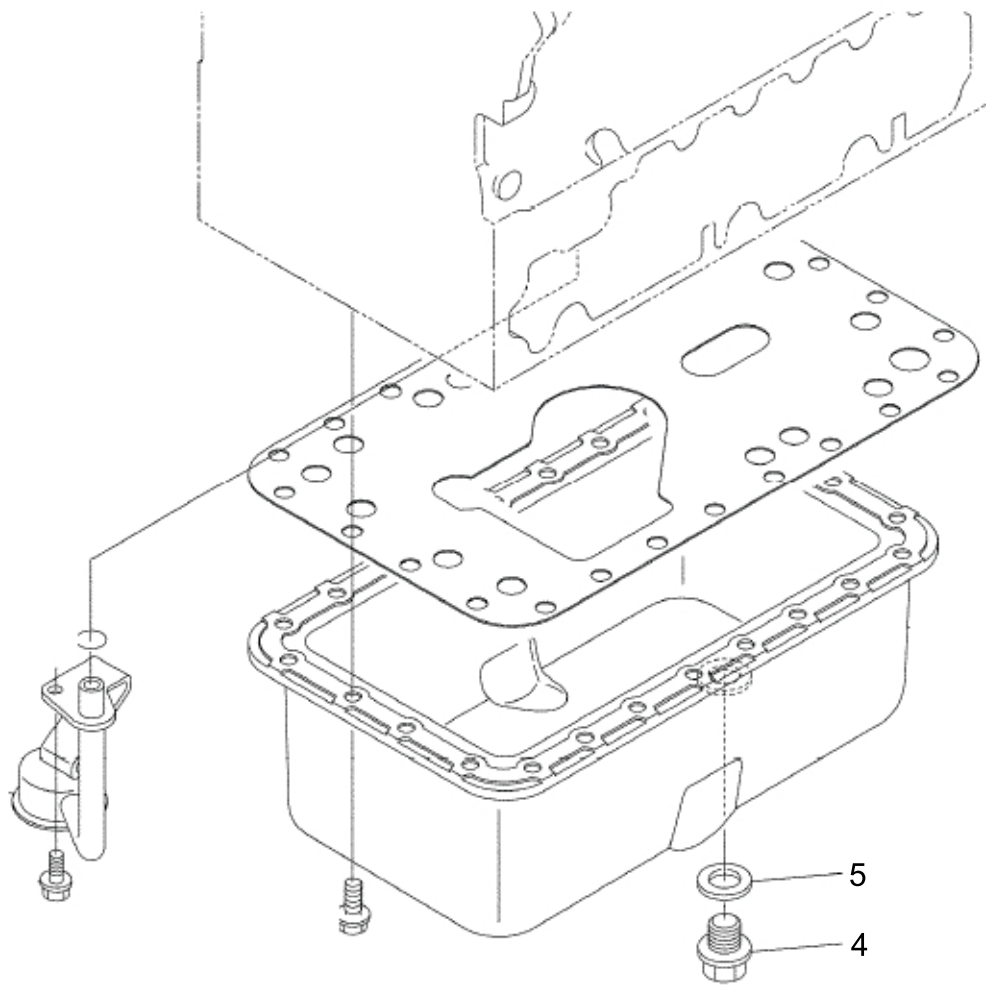
- . VEHICLE TYP
- . FORT TRUCK SERIAL NUMBER
- . MOTOR SERIAL NUMBER
- . PART-NR.
- . DESIRED QUANTITY OF SPARE PARTS

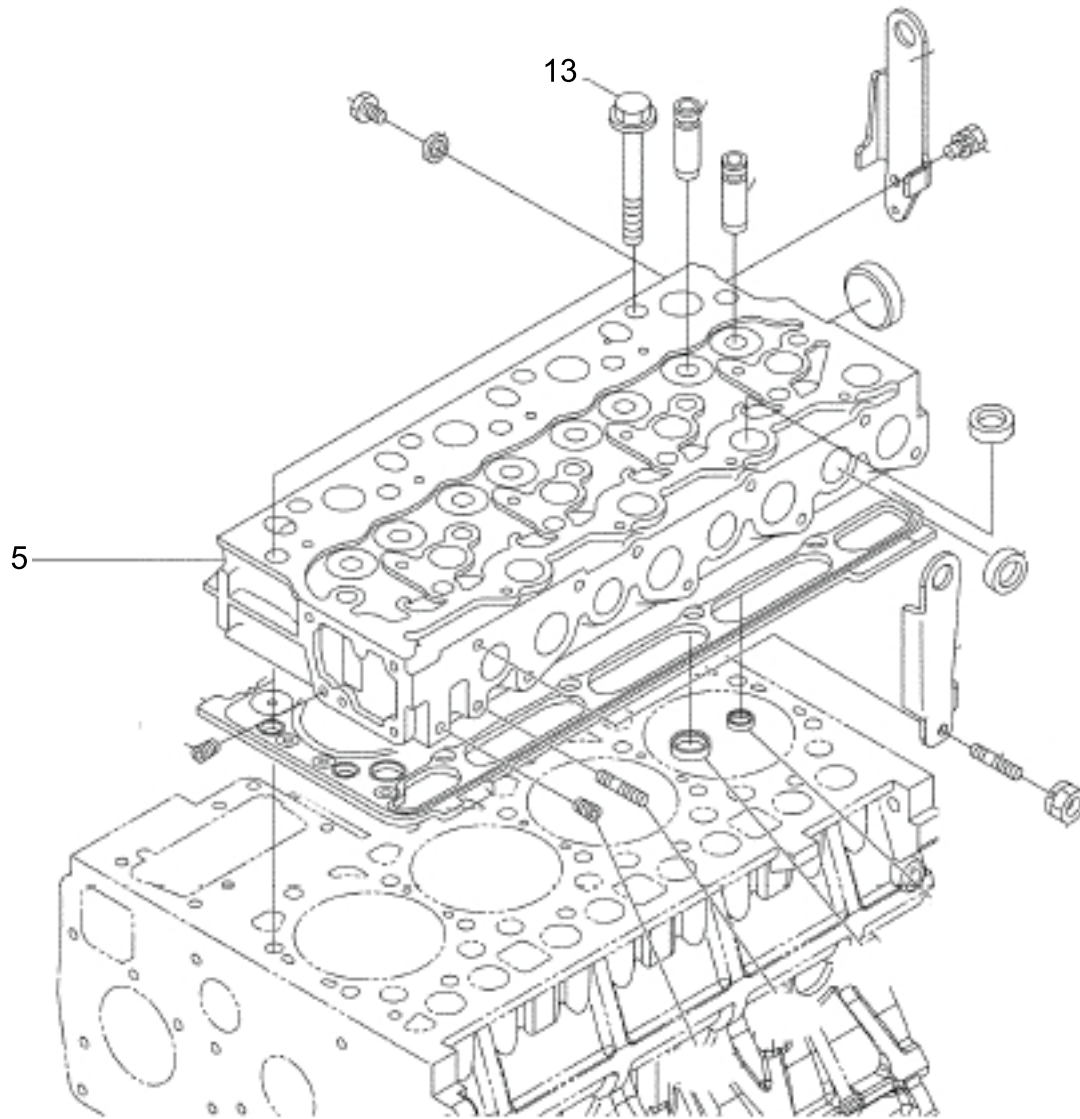
PARTS WITHOUT PART-NUMBER NOT REQUIRED FOR THIS APPLICATION.



17

Fig	Part-No.	Qty.	Description	Remark	validity	trucks
17	54022225013	1	motor part 'oil pressure switch			





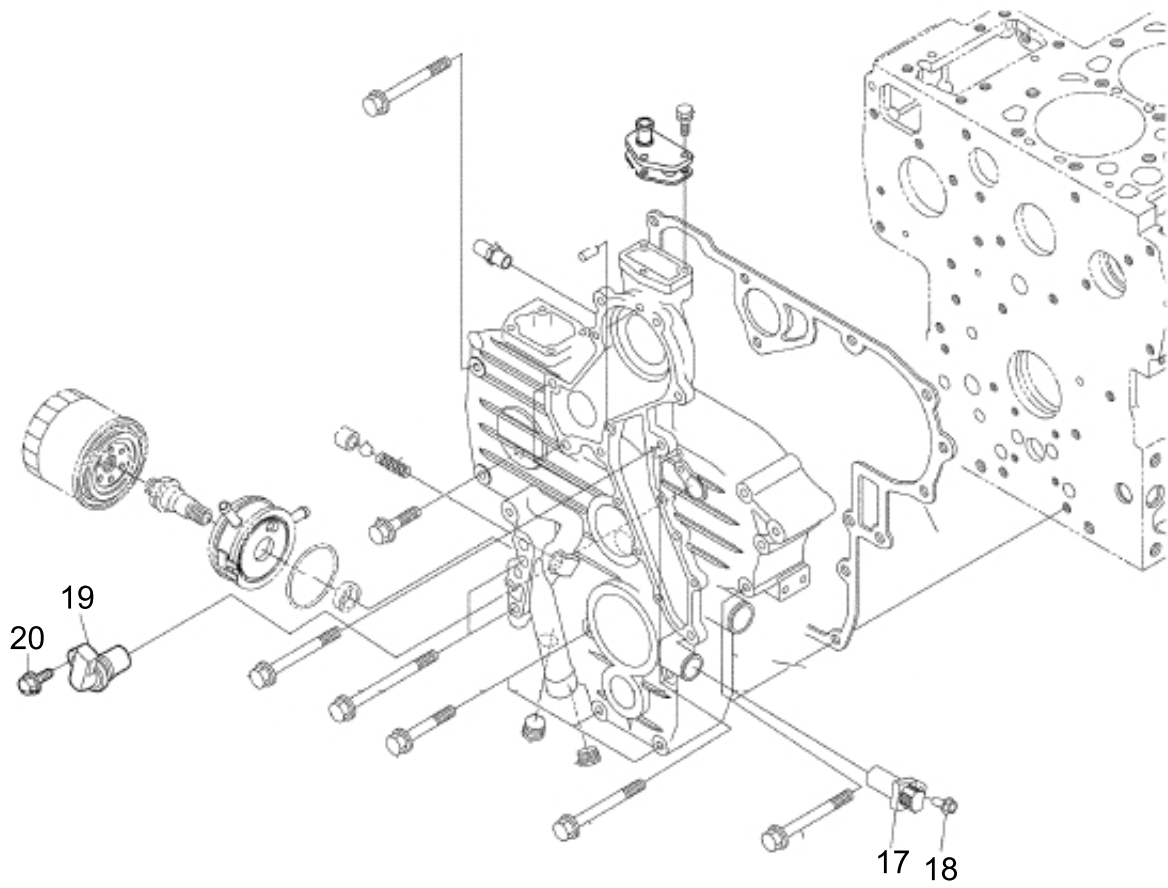


Fig	Part-No.	Qty.	Description	Remark	validity	trucks
17	54013608900	1	sensor assy.			
18	0009019143	1	screw			
19	54013608902	1	sensor			
20	0009019143	1	screw			

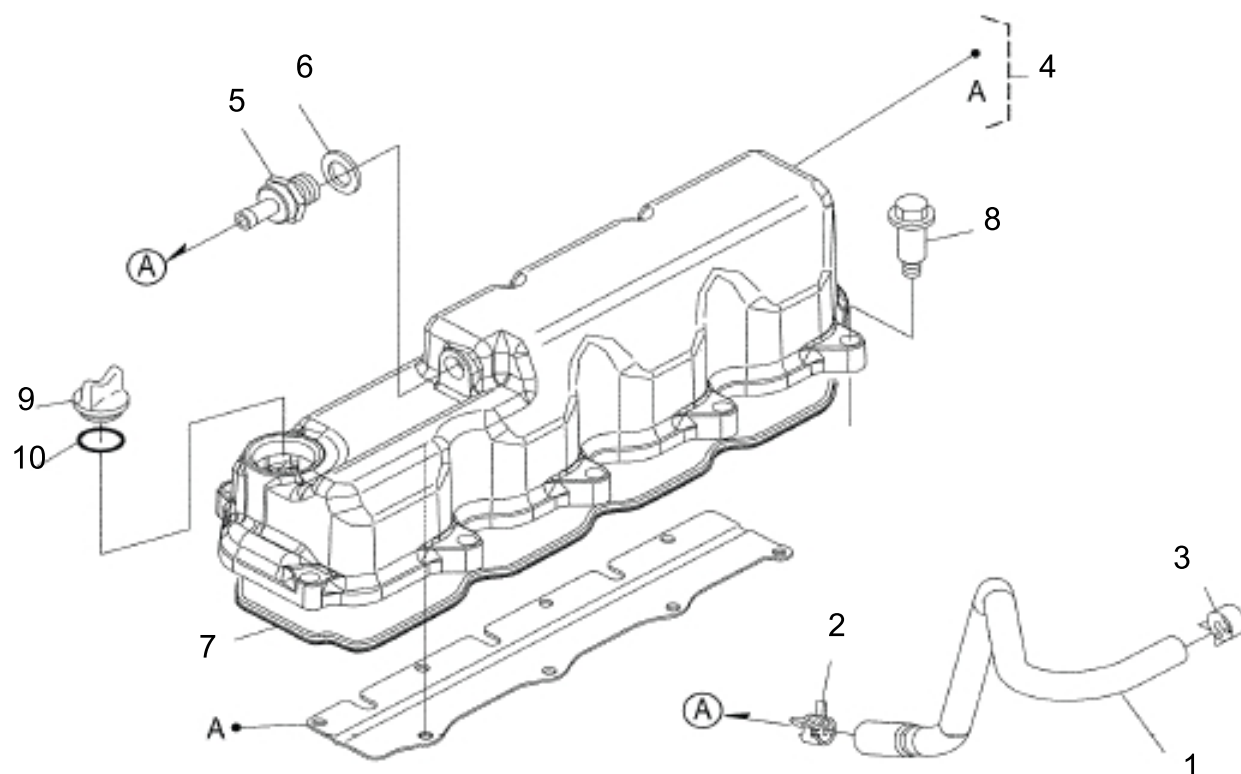
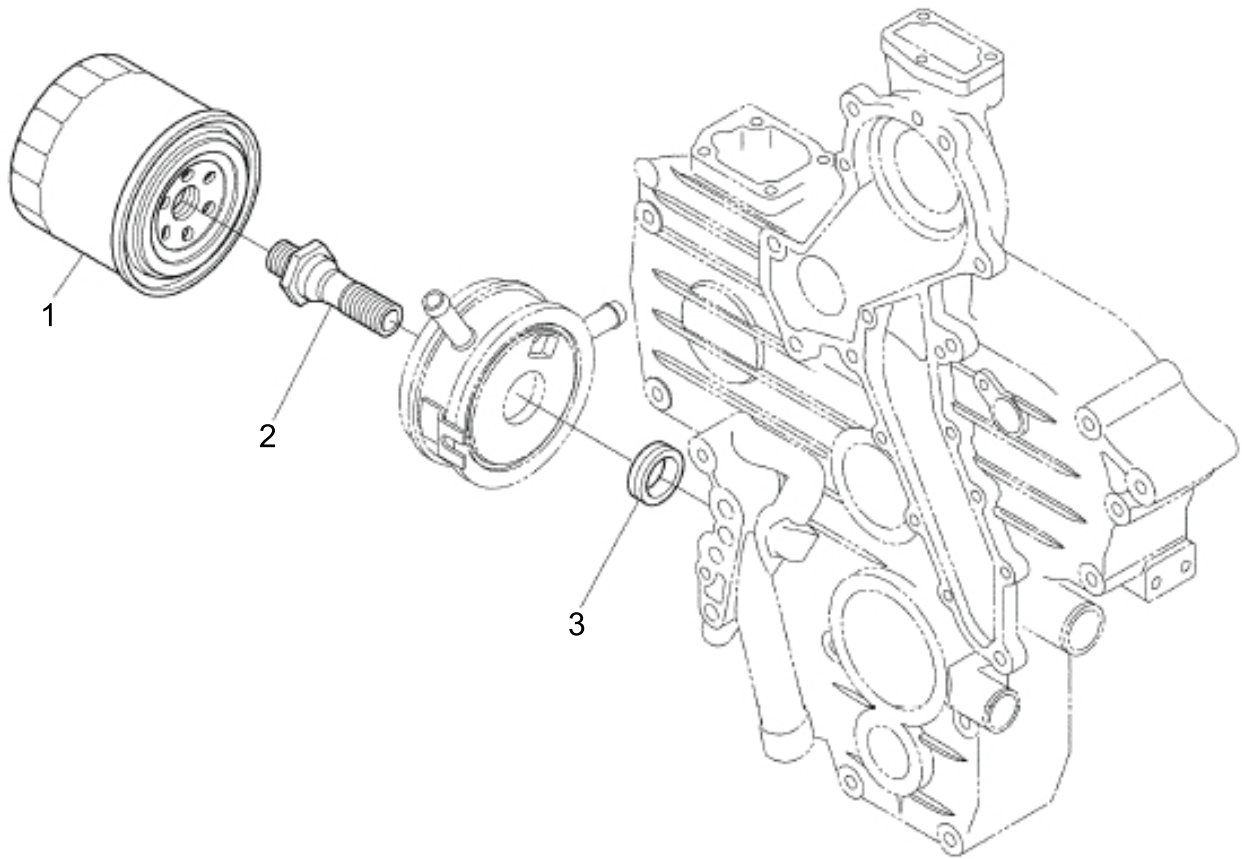
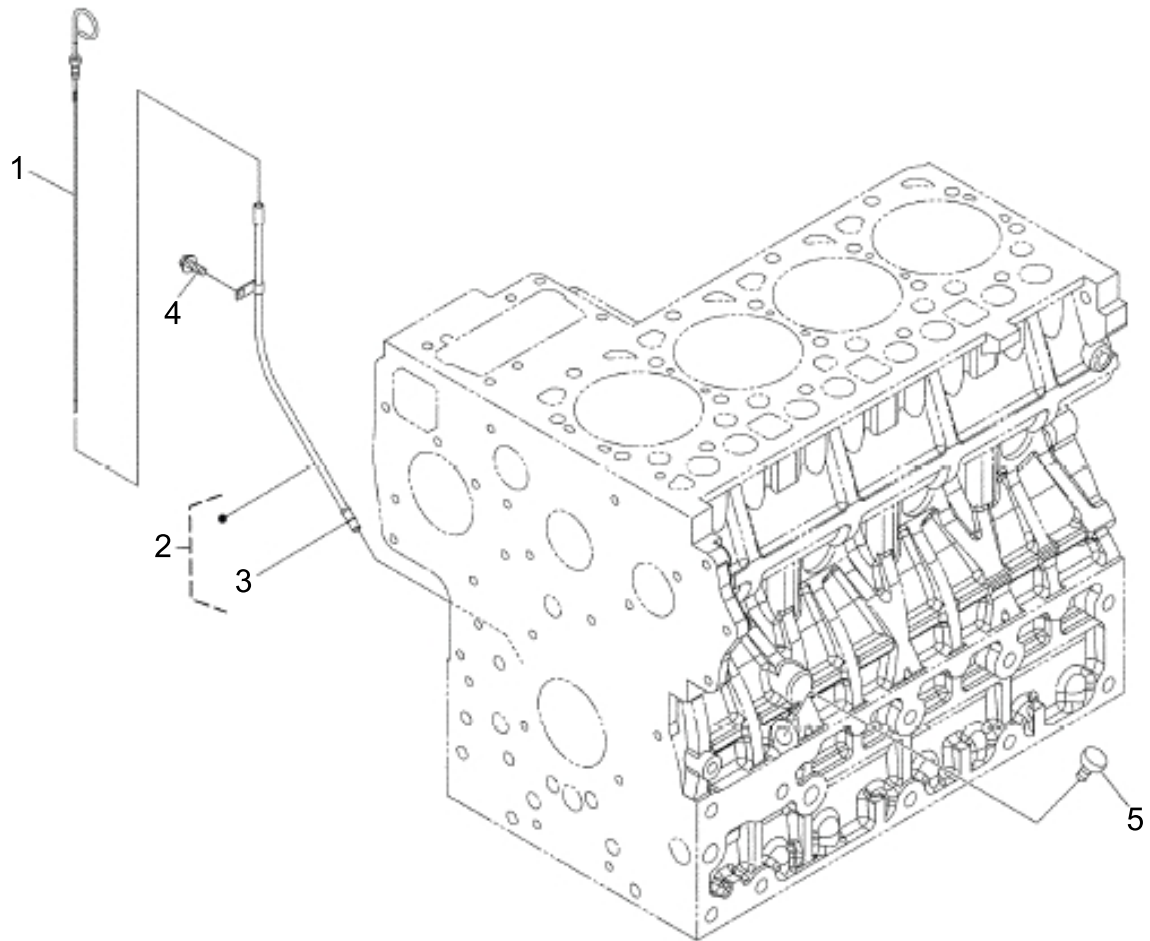


Fig	Part-No.	Qty.	Description	Remark	validity	trucks
1	12192225048	1	motor part 'tube			
2	0009552451	1	hose clip			
3	0009552453	1	hose clip			
4	12192220100	1	cylinder head			
5	0009445156	1	valve			
6	0009619060	1	seal			
7	54012228513	1	seal 'cover			
8	12192225049	10	motor part 'Bolt			
9	0009034056	1	screw plug			
10	0009631451	1	O-ring			





IGNITION COIL

