



## ERSATZTEILLISTE

Spare Parts List  
Catalogue de pièces détachées  
Catalogo parti di ricambio  
Catálogo de recambio

## ELEKTRO GABELSTAPLER

Electric Fork Truck  
Chariot élévateur électrique  
Carrello elevatore elettrico  
Carretilla elevadora eléctrica

## STILL ELECTRONIC DOCUMENTATION SYSTEM

RX50-10  
RX50-13  
RX50-15  
RX50-16



5051 5053 5054 5055

0 163 466 - 05/2003

first in intralogistics

Fig	Part-No.	Qty.	Description	Remark	validity	trucks
▶			FRAME			
▶			RUNNING AXLE			
▶			GEAR DRIVE - REORDER 0172185			
▶			TYRES			
▶			ACCEL.+BRAKING CONTR.			
▶			STEERING SYSTEM			
▶			BRAKING SYSTEM			
▶			ELECTR.INSTALLATION			
▶			ADD.ELECTRICAL INSTALLATION			
▶			HYDRAULIC SYSTEM			
▶			ELECTRIC MOTOR SYSTEM			
▶			ADD. HYDRAULICS			
▶			MAST			
▶			PLATE			
▶			FORK			
▶			MAST BEARING			
▶			TILT CYLINDER			
▶			ATTACHMENT			
▶			ACCESSORY			



Fig	Part-No.	Qty.	Description	Remark	validity	trucks
▶			FRAME	R5051-55; up to week 43, 2004		
▶			FRAME	R5051-55; from week 44, 2004		
▶			HOOD, COMPL.	R5051; driver's seat GS15 oder MSG65		
▶			HOOD, COMPL.	R5053-55; driver's seat GS15 oder MSG65		
▶			HOOD, COMPL.	R5051; proportional control		
▶			HOOD, COMPL.	R5053-55; proportional control		
▶			RESERVOIR	R5053-55		
▶			RESERVOIR	R5053-55; ab 28. Kalenderwoche 2006		
▶			RESERVOIR	R5051; bis 27. Kalenderwoche 2006		
▶			RESERVOIR	R5051; ab 28. Kalenderwoche 2006		
▶			RESERVOIR	R5053-55; bei Joystick; bis 27. Kalenderwoche 2006		
▶			RESERVOIR	R5053-55; Proptechnik, from week 28, 2006		
▶			RESERVOIR	R5051; bei Joystick; bis 27. Kalenderwoche 2006		
▶			RESERVOIR	R5051; bei Joystick; ab 28. Kalenderwoche 2006		
▶			WHEEL CHOCK	R5051		
▶			WHEEL CHOCK	R5053-55		
▶			SIDE PANEL.			
▶			COUNTERWEIGHT	R5051; standard		
▶			COUNTERWEIGHT	R5051; with eyebolts		
▶			COUNTERWEIGHT	R5053; standard		
▶			COUNTERWEIGHT	R5053; with eyebolts		
▶			COUNTERWEIGHT	R5054; standard		
▶			COUNTERWEIGHT	R5054; with eyebolts		
▶			COUNTERWEIGHT	R5055; standard		
▶			COUNTERWEIGHT	R5055; with eyebolts		
▶			MUDGUARDS	width: 177 mm		
▶			MUDGUARDS	width: 232 mm		
▶			FLOORPLATE	series up to week 27, 2005		
▶			FLOORPLATE	series from week 28, 2005		
▶			FLOORPLATE	two-pedal control		
▶			FLOORPLATE	traction interlock pedal; up to week 27, 2005		
▶			FLOORPLATE	traction interlock pedal; from week 28, 2005		
▶			OVERVIEW OF TRIMS	R5051-55		
▶			PANEL	series		
▶			PANEL	pressure regulator		
▶			PANEL	pressure regulator and mini console		



Fig	Part-No.	Qty.	Description	Remark	validity	trucks
▶			PANEL	two-pedal control		
▶			PANEL	two-pedal control and mini console		
▶			PANEL	toggle switch on steering column		
▶			PANEL	two-pedal control; mini console and pressure regulator		
▶			PANEL	two-pedal control; mini console and pressure regulator		
▶			PANEL	single-lever operation		
▶			PANEL	single lever and mini console		
▶			PANEL	single lever and pressure regulator		
▶			PANEL	single lever, mini console and pressure regulator		
▶			PANEL	single lever and two-pedal control		
▶			PANEL	single lever, mini console and two-pedal control		
▶			PANEL	single lever, two pedals and pressure regulator		
▶			PANEL	single lever, mini console, two pedals and pressure regulator		
▶			ASH-TRAY			
▶			ASH-TRAY			
▶			DRIVER	overview; R5051		
▶			DRIVER	overview; R5053-55		
▶			DRIVER	R5051; ISRI 2400 imitation leather up to week 35, 2006		
▶			DRIVER	R5053-55; ISRI 2400 imitation leather		
▶			DRIVER	R5051; ISRI 2400 fabric		
▶			DRIVER	R5053-55; ISRI 2400 fabric		
▶			DRIVER	R5051; ISRI 2400 fabric up to week 35, 2006		
▶			DRIVER	R5053-55; ISRI 2400 fabric		
▶			DRIVER	R5051; ISRI 2400 imitation leather up to week 35, 2006		
▶			DRIVER	R5053-55; ISRI 2400 imitation leather		
▶			DRIVER	R5051; MSG 65 imitation leather		
▶			DRIVER	R5053-55; MSG 65 imitation leather		
▶			DRIVER	R5051; MSG 65 fabric		
▶			DRIVER	R5053-55; MSG 65 fabric		
▶			DRIVER	R5051; MSG 65 fabric		
▶			DRIVER	R5053-55; MSG 65 fabric		
▶			DRIVER	R5051; MSG 65 imitation leather		
▶			DRIVER	R5053-55; MSG 65 imitation leather		
▶			RETROFIT KIT	For trucks on which headroom is not given "on all series trucks". up to week 04, 2008		



Fig	Part-No.	Qty.	Description	Remark	validity	trucks
▶			DRIVER SEAT ASSY.	GS 15 imitation leather up to week 17, 2007	09.07.2009->	
▶			DRIVER SEAT ASSY.	GS 15 imitation leather	10.07.2009->	
▶			DRIVER SEAT ASSY.	MSG 65 imitation leather; without buckle switch	10.07.2009->	
▶			DRIVER SEAT ASSY.	MSG 75; imitation leather, lumbar support; 24V heater; height- adjustable backrest extension	10.07.2009->	
▶			DRIVER SEAT ASSY.	MSG 75 Textil; Lendenwirbelstuetze; Heizung 24V; hoehenverstellbare Rueckenlehnenverlaengerung; Luftfederung	13.07.2009->	
▶			COMMON PARTS	Befestigungssatz für MSG 65/75 mit Mehrhebeltechnik	30.07.2009->	
▶			COMMON PARTS	Befestigungssatz für GS15 und MSG 65/75 mit Proportionaltechnik ohne Sauer mann-Rückhaltetechnik	30.07.2009->	
▶			COMMON PARTS	Befestigungssatz für MSG 65 mit Proportionaltechnik und Sauer mann Rückhaltesystem	30.07.2009->	
▶			ATTACHED PARTS	MSG 65; joystick		
▶			ATTACHED PARTS	Fingertip in drei Hebel Ausführung nur passend mit MSG 65		
▶			ATTACHED PARTS	Fingertip in vier Hebel Ausführung nur passend mit MSG 65		
▶			SHELF, COMPL.	Dokumententasche an Rückenlehne inkl. Montagematerial		
▶			OVERHEAD GUARD OVERVIEW	R5051; from week 43, 2004		
▶			OVERHEAD GUARD OVERVIEW	R5053-55		
▶			OVERHEAD GUARD, CPL.	R5051 dark grey; mast height: 2065 mm; up to week 42, 2004		
▶			OVERHEAD GUARD, CPL.	R5051 (-100 mm) dark grey; mast height: 1965 mm; up to week 42, 2004		
▶			OVERHEAD GUARD, CPL.	R5051 silver metallic; mast height: 2065 mm; from week 43, 2004		
▶			OVERHEAD GUARD, CPL.	R5051 (-100mm) silver metallic; mast height: 1965 mm; from week 43, 2004		
▶			OVERHEAD GUARD, CPL.	R5053-55 dark grey; mast height: 2080 mm; up to week 42, 2004		
▶			OVERHEAD GUARD, CPL.	R5053-55 silver metallic; mast height: 2080 mm; from week 43, 2004		
▶			OVERHEAD GUARD, CPL.	R5053-55 (-100mm) dark grey; mast height: 1980 mm; up to week 42, 2004		

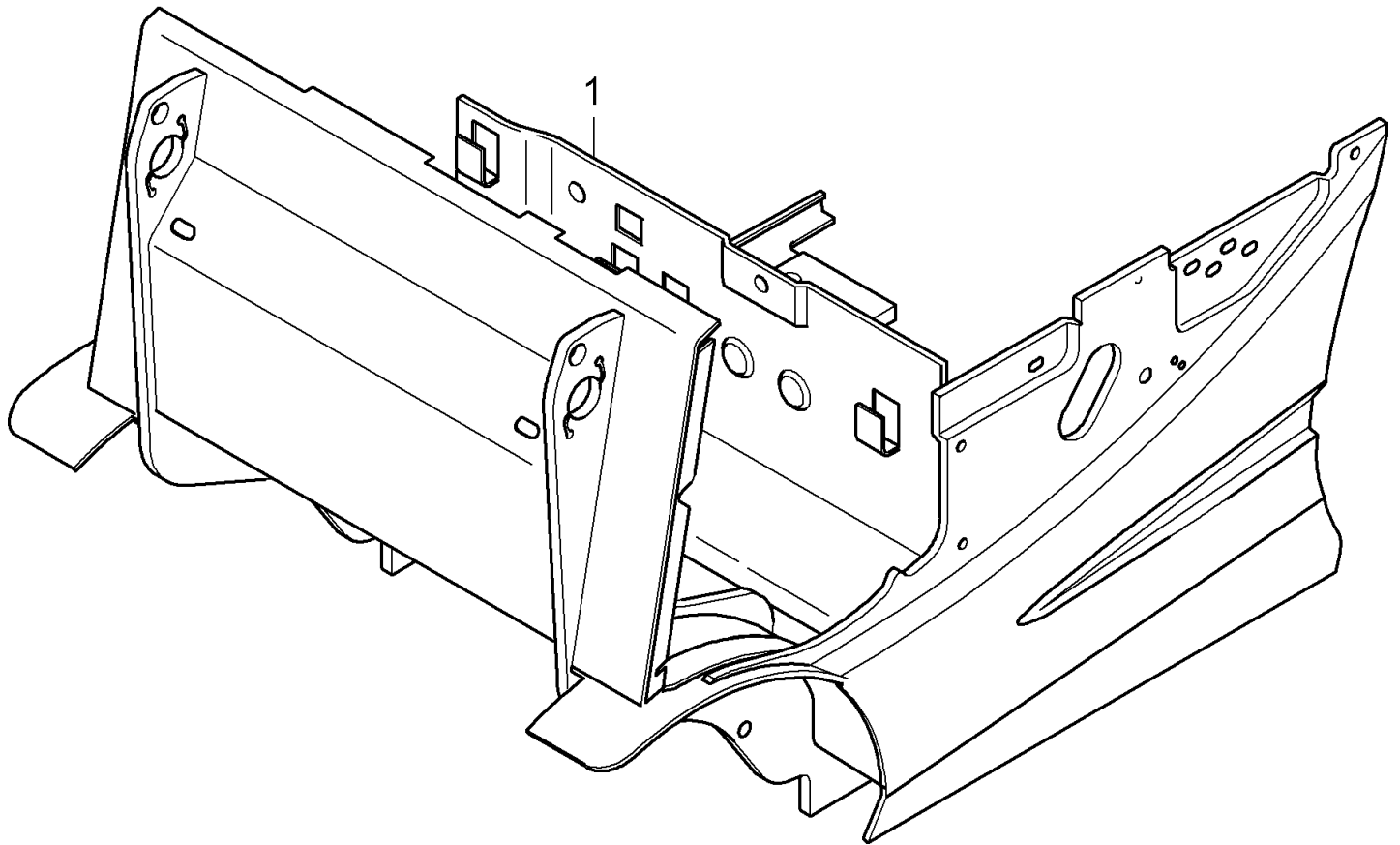




Fig	Part-No.	Qty.	Description	Remark	validity	trucks
▶			OVERHEAD GUARD, CPL.	R5053-55 (-100mm) silver metallic; mast height: 1980 mm; from week 43, 2004		
▶			OVERHEAD GUARD, STU	R5051		
▶			OVERHEAD GUARD, STU	R5053-55		
▶			OVERHEAD GUARD, CPL.	R5051 dark grey; mast height: 2065 mm; up to week 42, 2004		
▶			OVERHEAD GUARD, CPL.	R5051 (-100 mm) dark grey; mast height: 1965 mm; up to week 42, 2004		
▶			OVERHEAD GUARD, CPL.	R5051 dark grey; mast height: 2065 mm; from week 43, 2004		
▶			OVERHEAD GUARD, CPL.	R5051 (-100 mm) dark grey; mast height: 1965 mm; from week 43, 2004		
▶			OVERHEAD GUARD, CPL.	R5053-55 dark grey; mast height: 2080 mm; up to week 42, 2004		
▶			OVERHEAD GUARD, CPL.	R5053-55 dark grey; mast height: 2080 mm; from week 43, 2004		
▶			OVERHEAD GUARD, CPL.	R5053-55 (-100mm) dark grey; mast height: 1980 mm; up to week 42, 2004		
▶			OVERHEAD GUARD, CPL.	R5053-55 (-100mm) dark grey; mast height: 1980 mm; from week 43, 2004		
▶			WINDSCREEN,COMPL.	R5053-55; edge-protected with wiper; mast height: 2080 mm; standard; up to week 10, 2004		
▶			WINDSCREEN,COMPL.	R5051-55; edge-protected with wiper; mast height: 2080 mm and 2065 mm; standard; from week 11, 2004		
▶			WINDSCREEN,COMPL.	R5053-55; edge-protected with wiper; mast height: 1980 mm; Conti; up to week 10, 2004		
▶			WINDSCREEN,COMPL.	R5051-55; edge-protected with wiper; mast height: 1965 mm and 1980 mm; from week 11, 2004		
▶			FLAP, COMPL.	R5051; up to week 42, 2004		
▶			FLAP, COMPL.	R5051; from week 43, 2004		
▶			FLAP, COMPL.	R5053-55, up to week 42, 2004		
▶			FLAP, COMPL.	R5053-55		
▶			COVER, COMPL.	R5051; safety glass (front); undrilled		
▶			COVER, COMPL.	R5051; safety glass (rear); undrilled		
▶			COVER, COMPL.	R5053-55; safety glass front; undrilled		
▶			COVER, COMPL.	R5053-55; safety glass rear; undrilled		
▶			SUN VISOR,CPL	R50; R70; R6211-17; R6311-15		

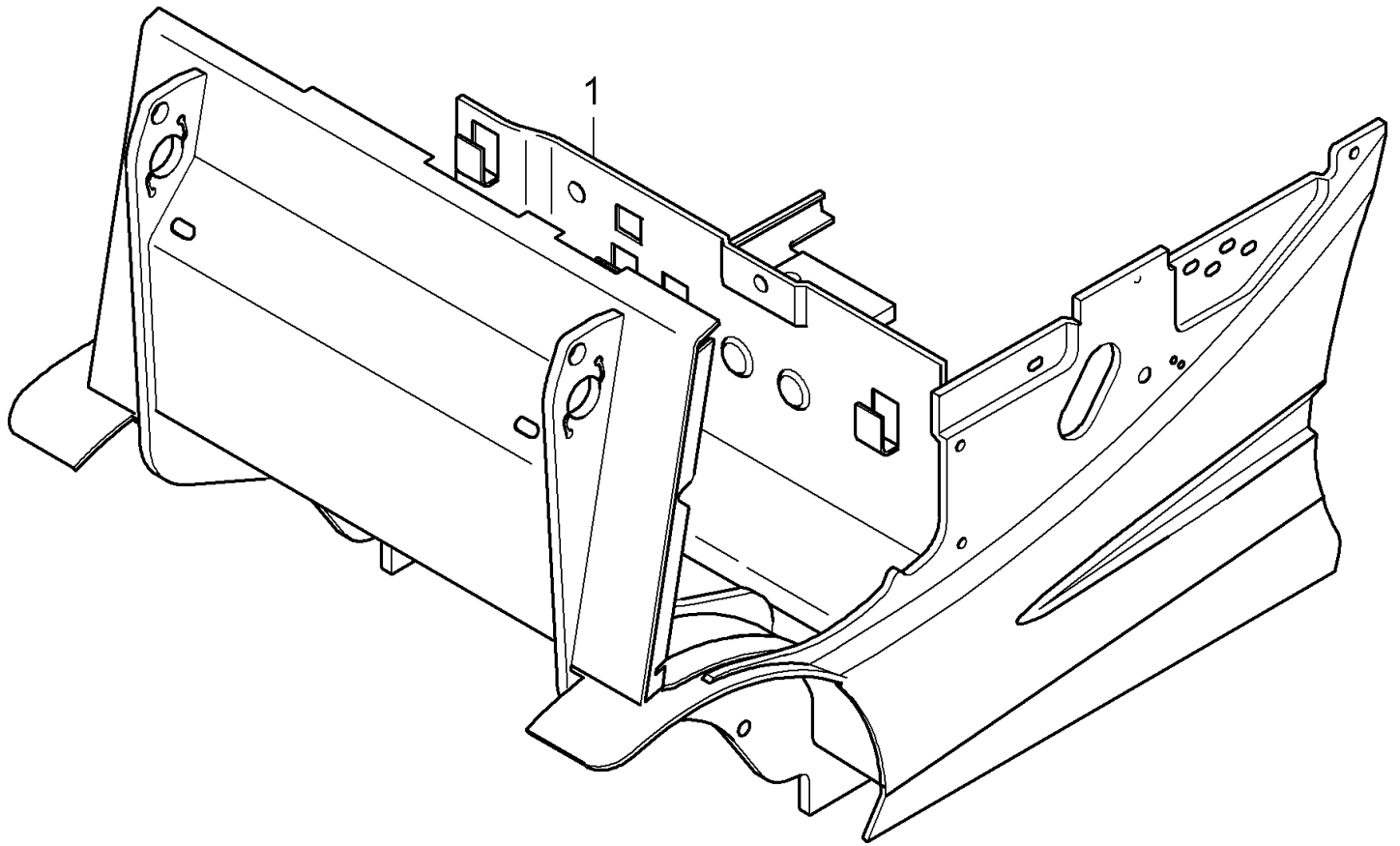


Fig	Part-No.	Qty.	Description	Remark	validity	trucks
▶			MIRROR	smooth: 185x130 mm		
▶			MIRROR	panorama: 260X135 mm		
▶			MIRROR	nonbreakable: 220x160 mm		
▶			CANVAS, COMPL.	R5053-55; for overhead guard; mast height: 1980 mm		
▶			CANVAS, COMPL.	R5053-55; for overhead guard; mast height: 2080 mm		
▶			CANVAS, COMPL.	R5053-55; for overhead guard; mast height: 2080 mm; VW		
▶			HEATING SYSTEM	R5053-55		
▶			EASYBELT GUARD	overhead guard without front windscreen		
▶			EASYBELT GUARD	overhead guard with front windscreen		
▶			SAFETY DEVICE	restraint system Sauermann, manual version		
▶			SAFETY DEVICE	restraint system Sauermann, electric version		



13139

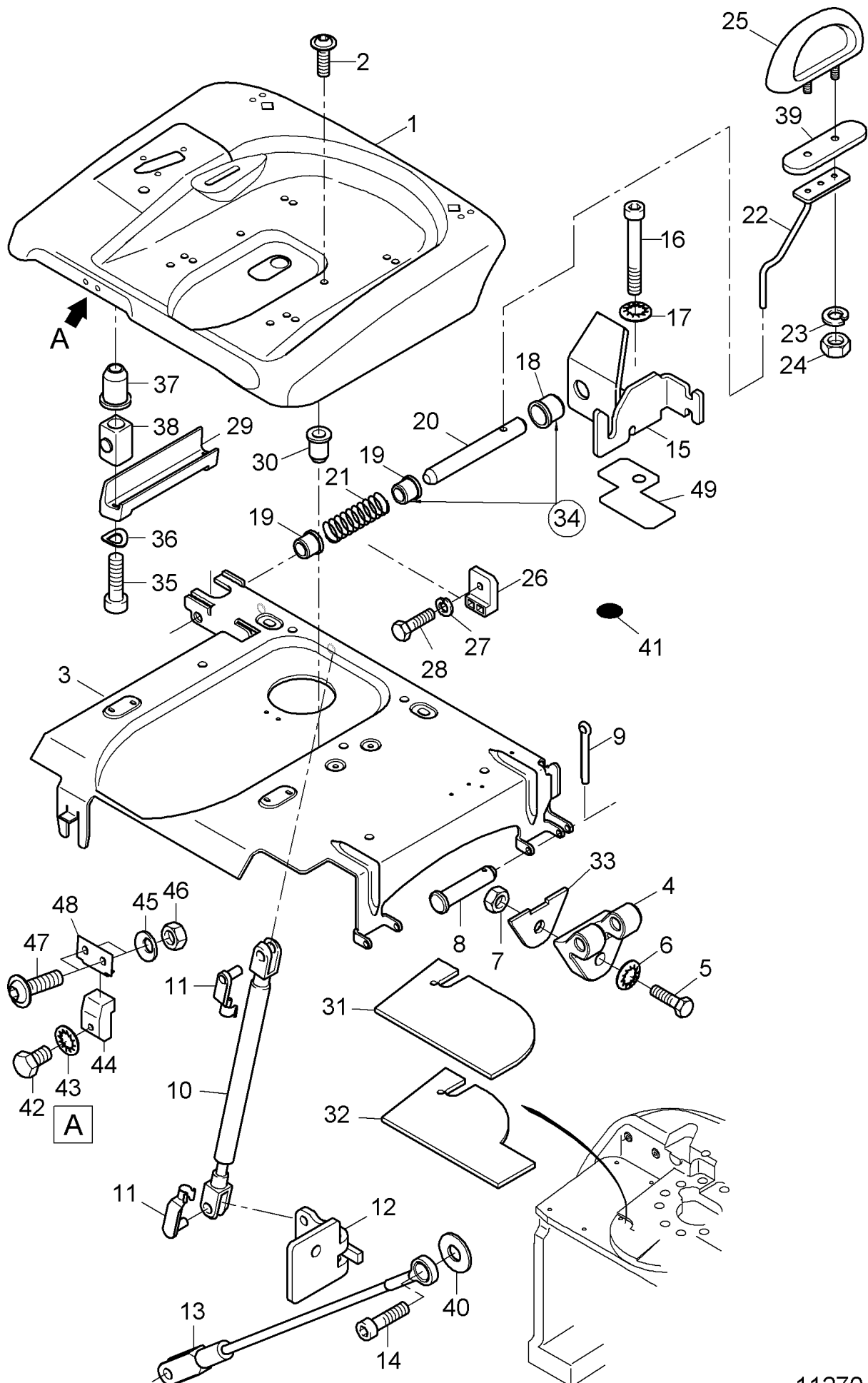
<b>Fig</b>	<b>Part-No.</b>	<b>Qty.</b>	<b>Description</b>	<b>Remark</b>	<b>validity</b>	<b>trucks</b>
1	0639615	1	CHASSIS, WD	no longer available lead time		



13139

<b>Fig</b>	<b>Part-No.</b>	<b>Qty.</b>	<b>Description</b>	<b>Remark</b>	<b>validity</b>	<b>trucks</b>
1	0704336	1	CHASSIS ASSY.			





11270

Fig	Part-No.	Qty.	Description	Remark	validity	trucks
1	0650362	1	HOOD			
1	0724466	1	BATTERY COVER			
2	0524376	2	BUTTON HEAD SCREW			
3	0637133	1	STIFFENING ANGLE			
4	0649543	1	HINGE			
5	0501080	2	HEXAGON BOLT			
6	0530302	2	LOCK EDGE WASHER			
7	8003272	2	NUT HEXAGON			
8	0530244	2	BOLT			
9	0502020	2	SPLIT PIN			
10	0383000	1	SPRING	800 N; length: 400 mm		
11	0521455	2	BOLT			
12	0645529	1	SUPPORT			
13	0637138	1	CONTROL CABLE			
14	0502143	1	SOCKET HEAD SCREW			
15	0637131	1	LOCK PLATE			
16	0502121	1	SOCKET-HEAD SCREW			
17	0530302	1	LOCK EDGE WASHER			
18	0530238	1	SLEEVE BEARING			
19	0530239	2	SLEEVE BEARING			
20	0637134	1	LOCK PIN			
21	0524435	1	SPRING			
22	0649044	1	PLATE, WD			
23	0500860	2	LOCK WASHER			
24	0502224	2	HEXAGON NUT			
25	0653809	1	HANDLE			
26	0375071	2	RUBBER LINER			
27	0530301	2	LOCK EDGE WASHER			
28	4491715	2	HEXAGON HEAD SCREW			
29	0355485	1	HANDLE			
30	0641369	2	RIVET NUT			
31	0659655	1	PLATE	up to week 38, 2003		



**HOOD, COMPL.**

**RX50 5051-5055**

R5051; driver's seat GS15 oder MSG65

Fig	Part-No.	Qty.	Description	Remark	validity	trucks
32	0659697	1	PLATE	from week 39, 2003 up to week 3, 2004		
33	0701801	1	SHIM	from week 4, 2004		
34	0102874		POURABLE PLASTICS			
35	0505275	2	SOCKET HEAD SCREW			
36	0502448	2	LOCK WASHER	DIN 137 B6-A2C		
37	0526229	2	RIVET NUT			
38	0656021	2	TERMINAL SOCKET			
39	0702622	1	PLATE			
40	0514410	1	WASHER			
41	0633105	1	ADHESIVE PLATE			
42	0501013	1	HEXAGON HEAD SCREW			
43	0530301	1	LOCK EDGE WASHER			
44	0632247	1	RUBBER LINER			
45	0520152	1	DISC TIGHTENING			
46	0528445	1	HEXAGON NUT			
47	0525237	1	OVAL HEAD SCREW			
48	0719497	1	ANGLE			
49	0728731	1	PLATE			